



US00D910899S

(12) **United States Design Patent** (10) **Patent No.:** **US D910,899 S**
Zheng (45) **Date of Patent:** **** Feb. 16, 2021**

(54) **WALL SCONCE**

(71) Applicant: **Nan Zheng**, Shenzhen (CN)

(72) Inventor: **Nan Zheng**, Shenzhen (CN)

(**) Term: **15 Years**

(21) Appl. No.: **29/752,086**

(22) Filed: **Sep. 24, 2020**

(51) **LOC (13) Cl.** **26-03**

(52) **U.S. Cl.**
USPC **D26/86; D26/87**

(58) **Field of Classification Search**
USPC D26/72, 76, 80, 85-87, 92, 61
CPC F21S 8/03; F21S 8/031; F21S 8/033; F21S
8/035; F21S 8/036
See application file for complete search history.

(56) **References Cited**

U.S. PATENT DOCUMENTS

D383,239 S *	9/1997	Porter	D26/87
D429,363 S *	8/2000	Hsieh	D26/87
D443,379 S *	6/2001	Xu	D26/87
D501,572 S *	2/2005	Lee	D26/80
D514,730 S *	2/2006	Lo	D26/86
D570,029 S *	5/2008	Hsu	D26/80
D589,193 S *	3/2009	Sabernig	D26/63
D754,906 S *	4/2016	Smith	D26/87
D833,666 S *	11/2018	Orozco	D26/86
D835,324 S *	12/2018	Haubach	D26/86
D869,730 S	12/2019	Lin	
D882,149 S *	4/2020	Lin	D26/87
D895,882 S *	9/2020	Li	D26/86

OTHER PUBLICATIONS

Pauwer Industrial Bathroom Vanity Light available at amazon.com Dec. 28, 2018. (Year: 2018).*

3-Light Industrial Bathroom Vanity Light for Mirror Cabinets, from the hykolity store at amazon.com Apr. 24, 2020. (Year: 2020).*

Ralbay Bathroom Vanity Light available at amazon.com Apr. 20, 2020. (Year: 2020).*

* cited by examiner

Primary Examiner — Clare E Heflin

(74) *Attorney, Agent, or Firm* — Justin Lampel

(57) **CLAIM**

The ornamental design for a wall sconce, as shown and described.

DESCRIPTION

FIG. 1 is a perspective view of a wall sconce showing the new design;

FIG. 2 is a top plan view thereof;

FIG. 3 is a left side elevation view thereof;

FIG. 4 is a front elevation view thereof;

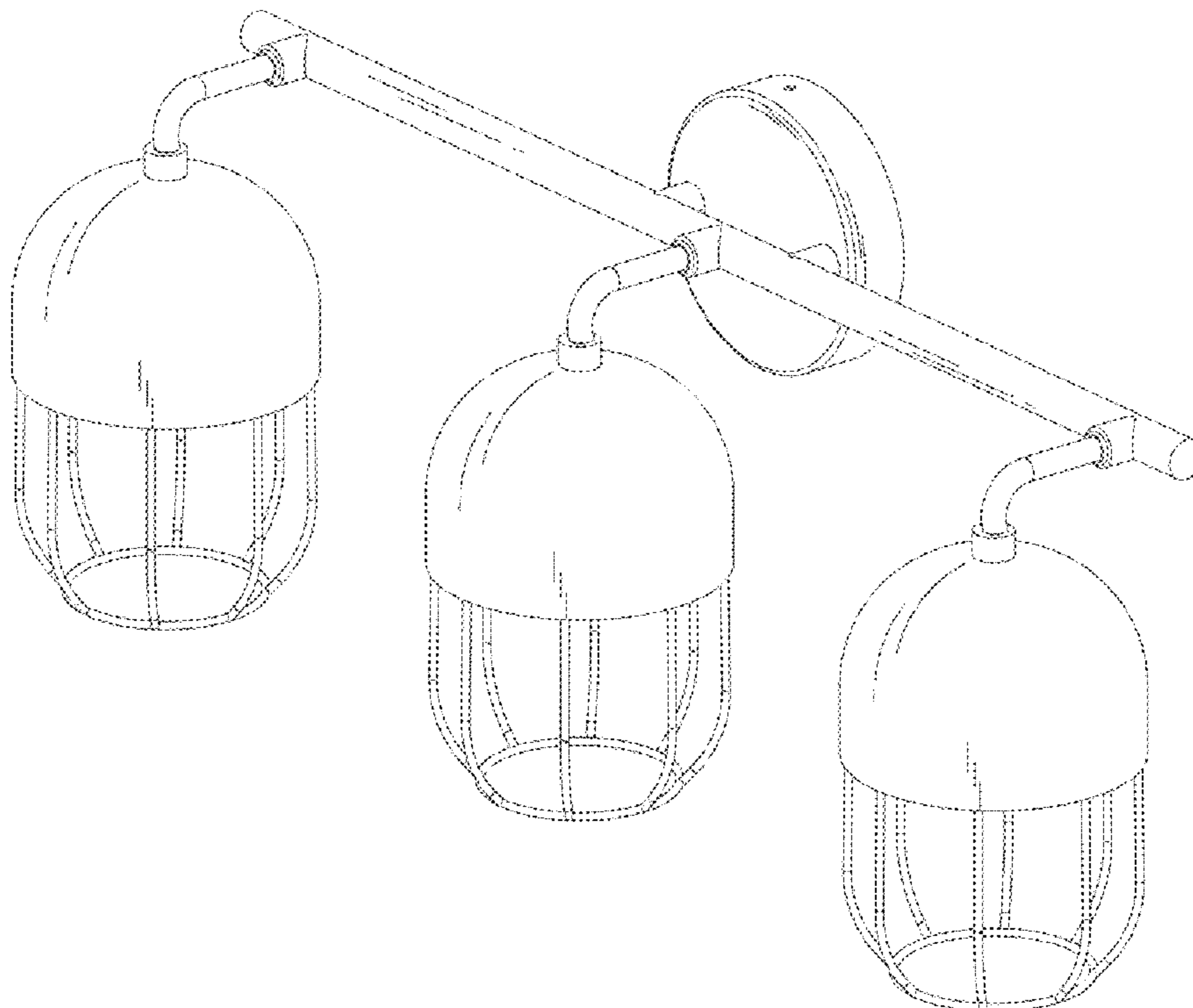
FIG. 5 is a right side elevation view thereof;

FIG. 6 is a rear elevation view thereof; and,

FIG. 7 is a bottom plan view thereof.

The broken lines illustrate portions of the wall sconce that form no part of the claimed design.

1 Claim, 7 Drawing Sheets



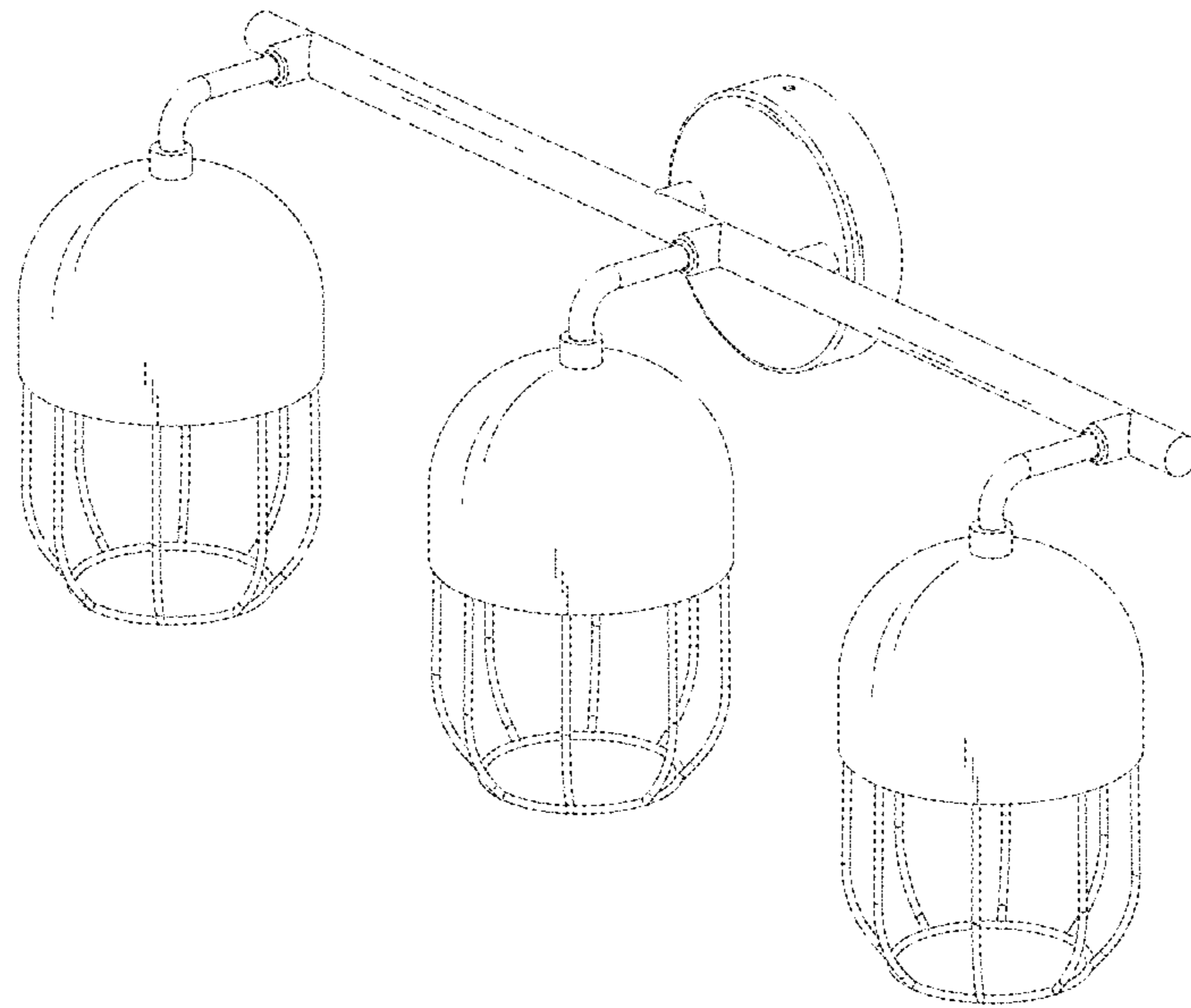


FIG.1

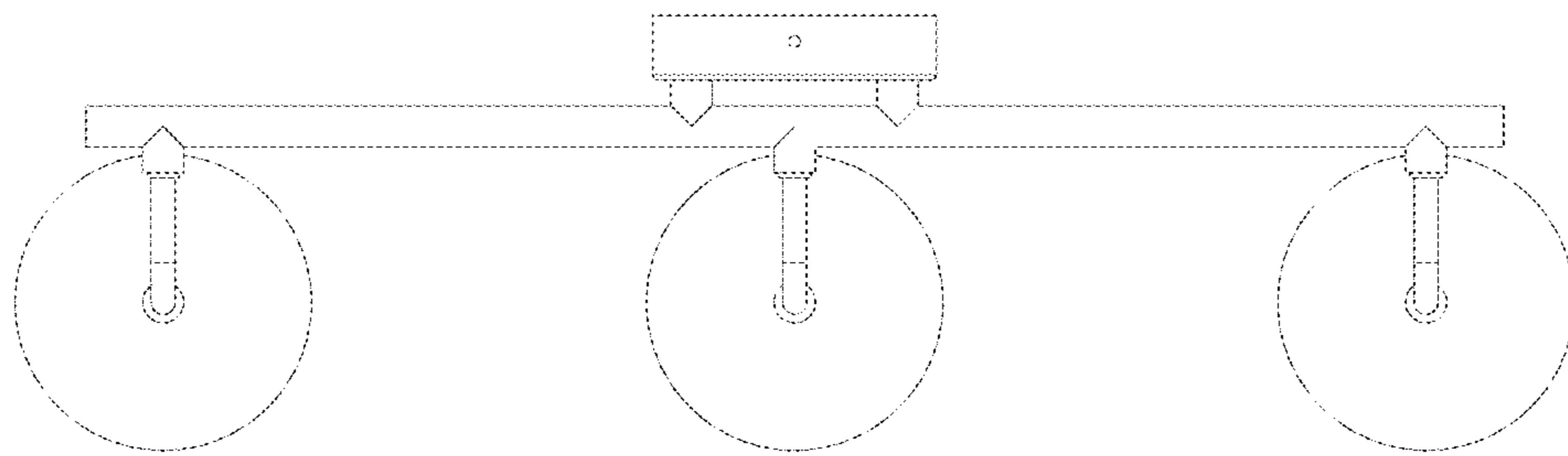


FIG.2

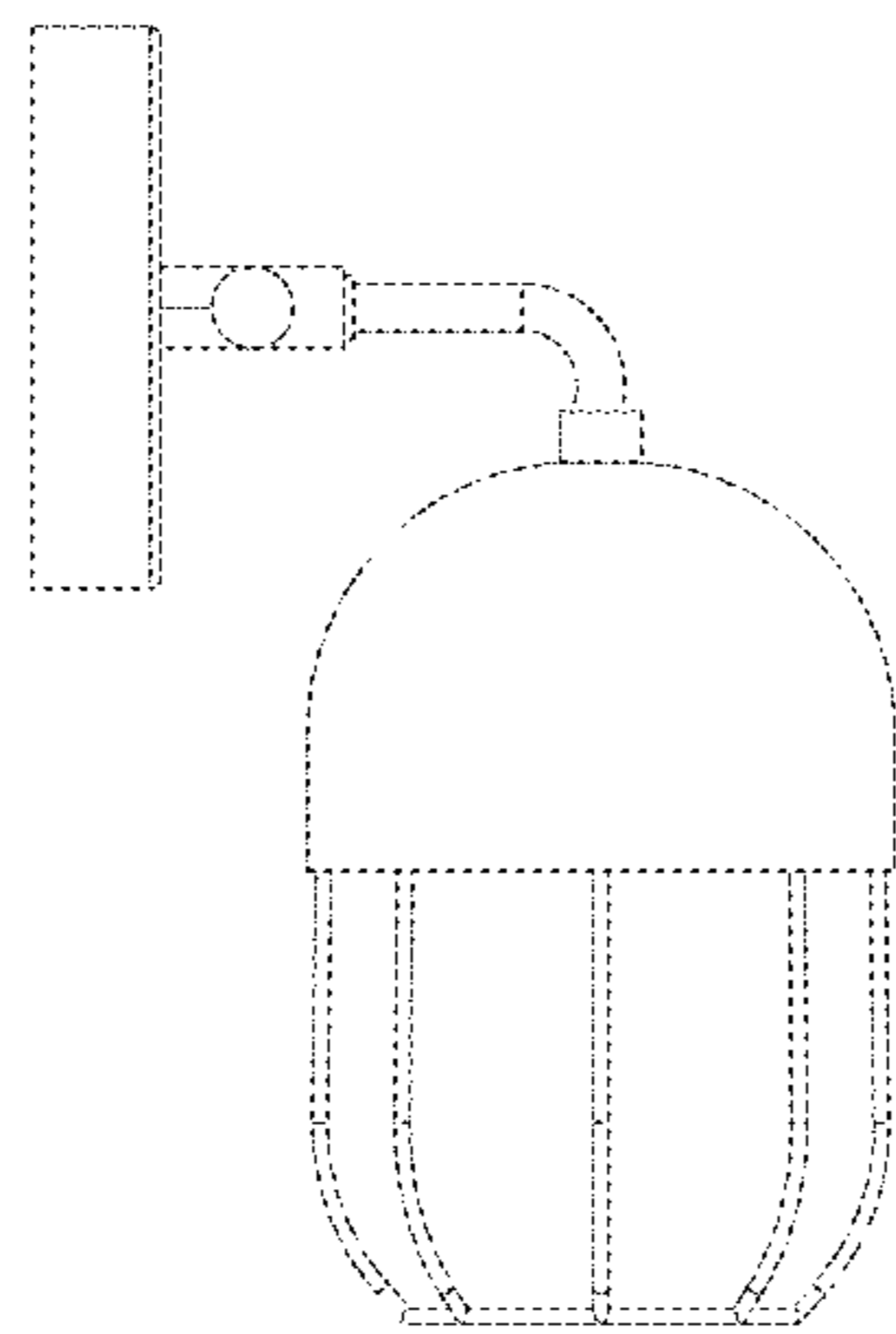


FIG. 3

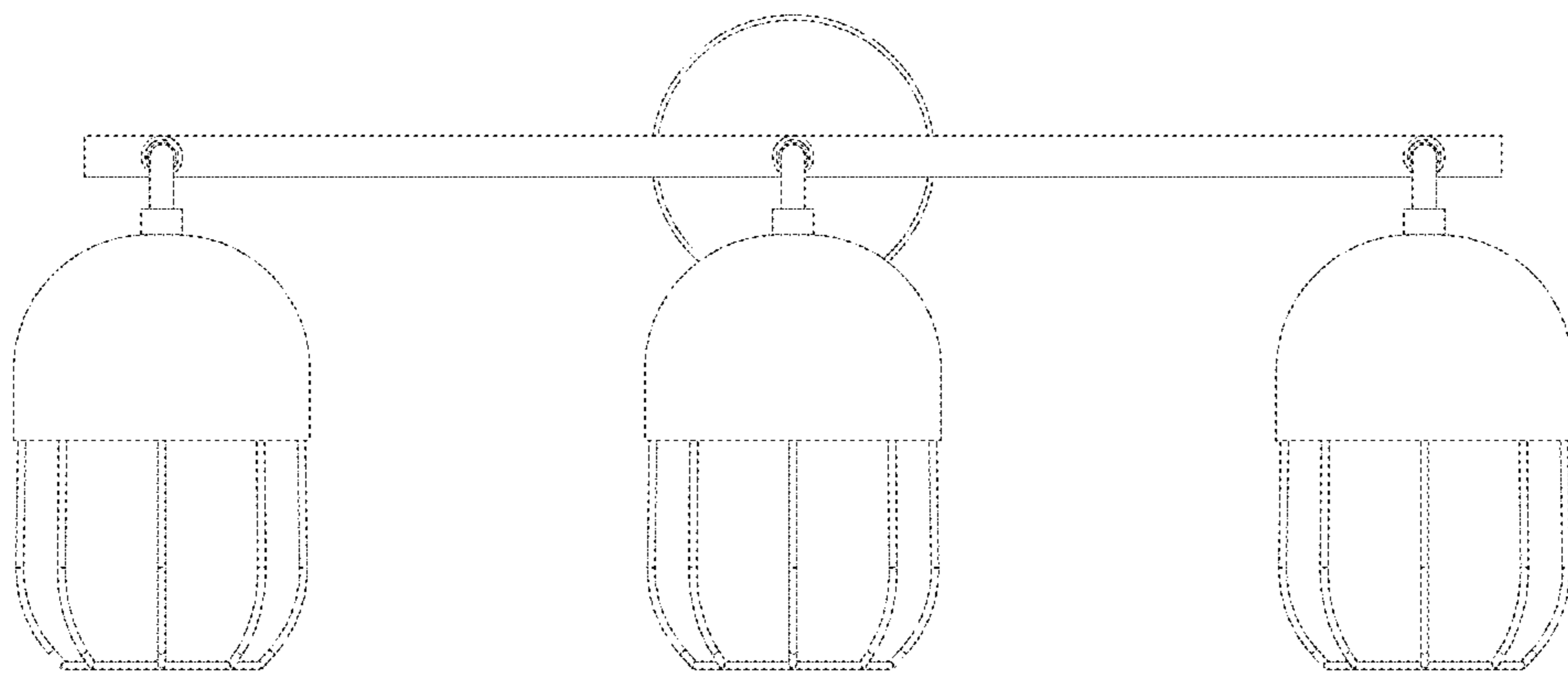


FIG. 4

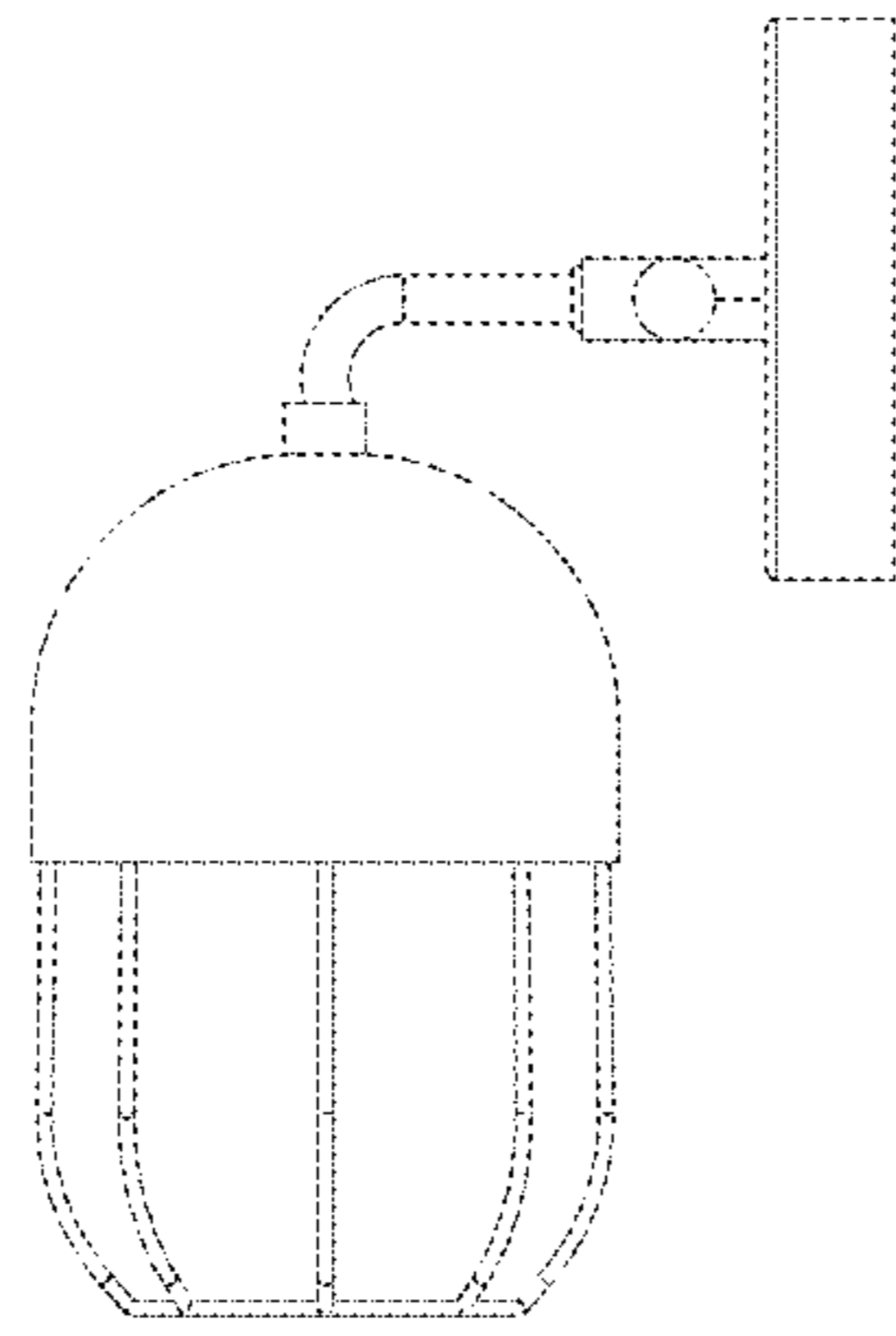


FIG. 5

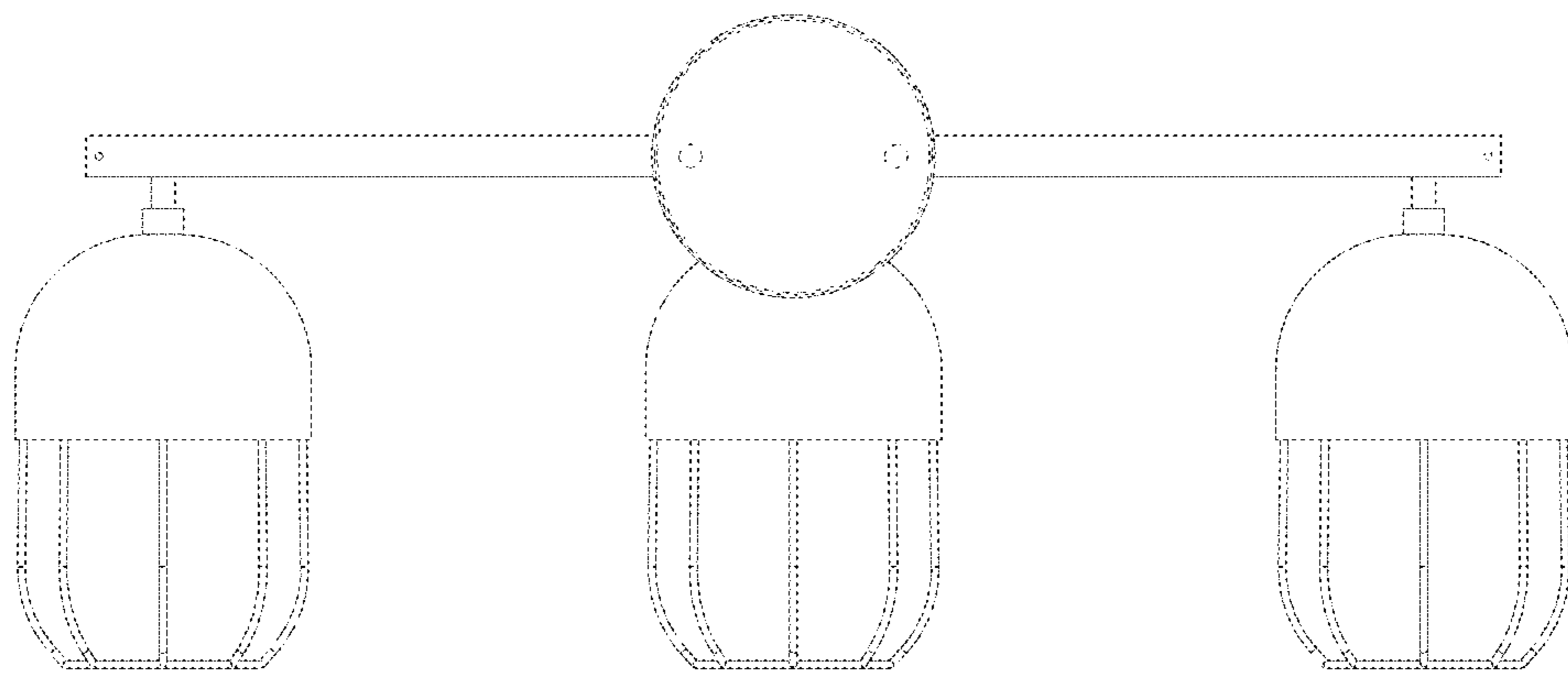


FIG. 6

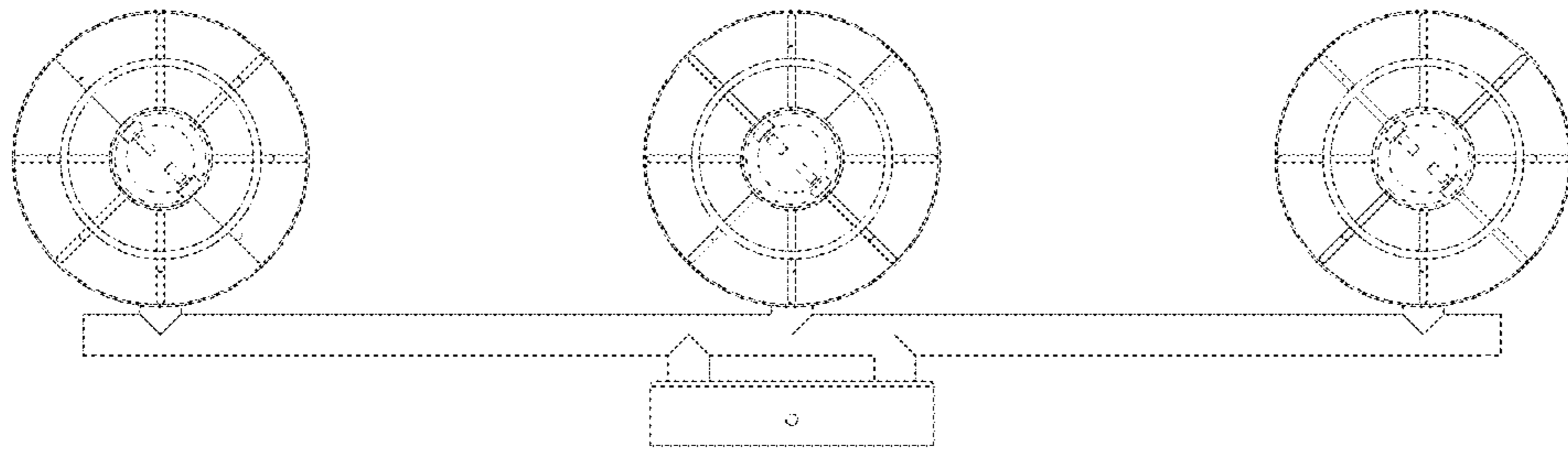


FIG. 7