



US00D910898S

(12) **United States Design Patent**
Chen et al.

(10) **Patent No.:** **US D910,898 S**

(45) **Date of Patent:** **** Feb. 16, 2021**

(54) **PLANT FILL LIGHT**

(71) Applicant: **Dongguan City CLED Optoelectronic Technology Co., Ltd.**, Guangdong (CN)

(72) Inventors: **Dehua Chen**, Guangdong (CN); **Xinhai Li**, Guangdong (CN); **Guangxin Xiao**, Guangdong (CN)

(73) Assignee: **Dongguan City CLED Optoelectronic Technology Co., Ltd.**, Dongguan (CN)

(**) Term: **15 Years**

(21) Appl. No.: **29/694,905**

(22) Filed: **Jun. 14, 2019**

(51) **LOC (13) Cl.** **26-05**

(52) **U.S. Cl.**
USPC **D26/76**

(58) **Field of Classification Search**
USPC D26/24–27, 60–69, 72, 74–78, 80–83, D26/85–86, 89, 93, 104, 106, 108–115, D26/118, 120; D10/111–115
CPC F21S 8/00; F21S 8/03; F21S 8/04; F21S 8/026; F21S 8/046; F21S 8/088; F21V 15/00; F21V 15/01
See application file for complete search history.

(56) **References Cited**

U.S. PATENT DOCUMENTS

D792,000 S * 7/2017 Burroughs D26/78
D849,991 S * 5/2019 Piedra F21K 9/278
D26/118
D863,656 S * 10/2019 Klase F21S 8/061
D26/113
D868,337 S * 11/2019 Deng D26/76
(Continued)

FOREIGN PATENT DOCUMENTS

CN 306042493 * 9/2020

OTHER PUBLICATIONS

“HTGSupply Beltsville, MD (Facebook photo post),” Nov. 27, 2018, facebook.com, site visited Oct. 15, 2020, URL: https://www.facebook.com/HTGBeltsville/photos/1163696247116906 (Year: 2018).*
(Continued)

Primary Examiner — Eric L Goodman
Assistant Examiner — Sarah L Smith

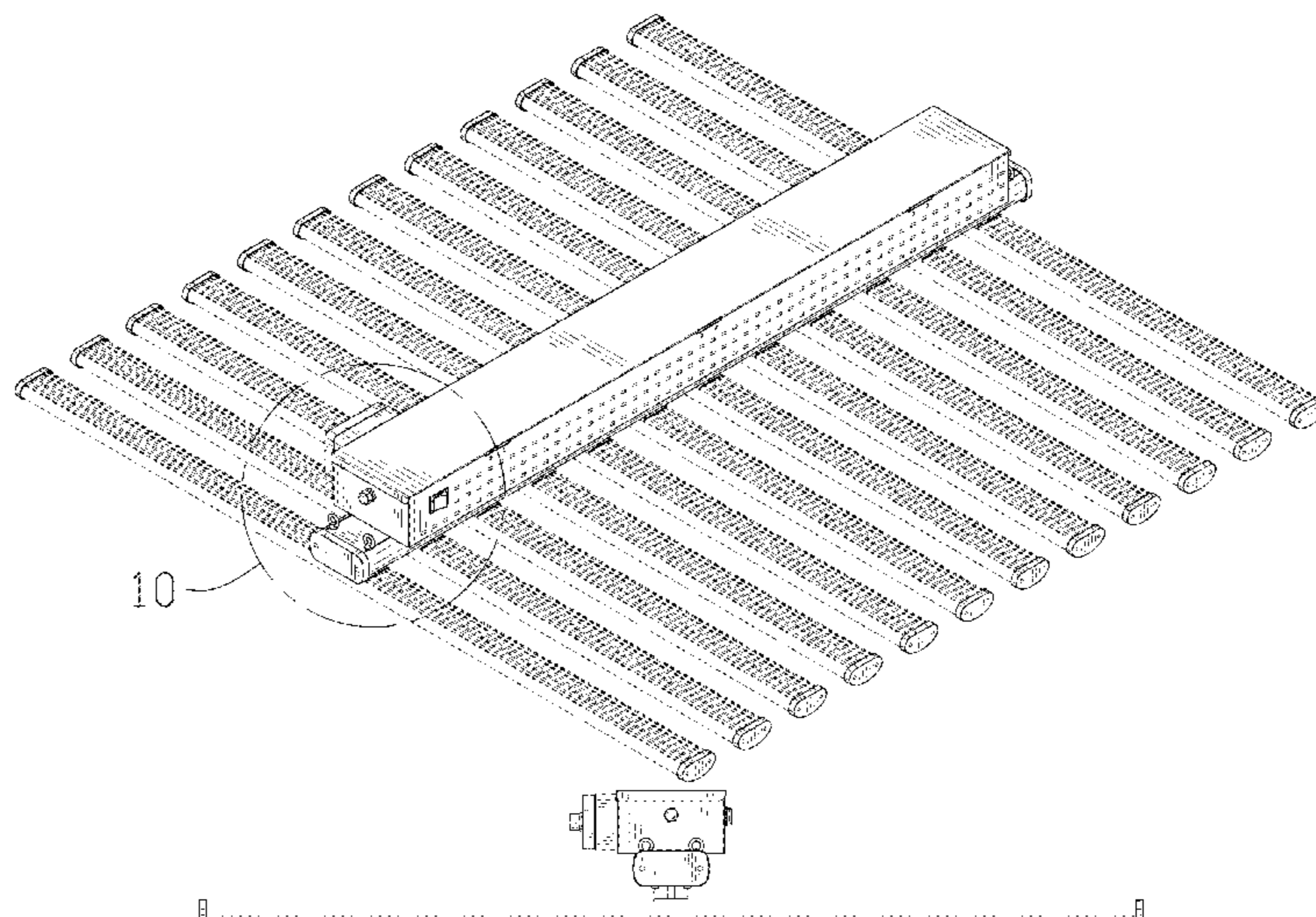
(57) **CLAIM**

The ornamental design for a plant fill light, as shown and described.

DESCRIPTION

FIG. 1 is a top, front and left side perspective view of a plant fill light showing our new design;
FIG. 2 is a top, rear and right side perspective view thereof;
FIG. 3 is a bottom, front and right side perspective view thereof;
FIG. 4 is a front elevational view thereof;
FIG. 5 is a rear elevational view thereof;
FIG. 6 is a left side view thereof;
FIG. 7 is a right side view thereof;
FIG. 8 is a top plan view thereof;
FIG. 9 is a bottom plan view thereof;
FIG. 10 is an enlarged view of portion 10 in FIG. 1;
FIG. 11 is an enlarged view of portion 11 in FIG. 2;
FIG. 12 is an enlarged view of portion 12 in FIG. 3;
FIG. 13 is a perspective view showing the plant fill light in a disassembled state;
FIG. 14 is an enlarged view of portion 14 in FIG. 13;
FIG. 15 is another perspective view showing the plant fill light in a disassembled state; and,
FIG. 16 is an enlarged view of portion 16 in FIG. 15.
The broken lines in the drawings illustrate portions of the plant fill light which form no part of the claimed design.

1 Claim, 16 Drawing Sheets



(56)

References Cited

U.S. PATENT DOCUMENTS

D895,890 S * 9/2020 Klase D26/113
2019/0056073 A1 * 2/2019 Ulloa F21K 9/278
2020/0053967 A1 * 2/2020 Murphy F21S 8/061

OTHER PUBLICATIONS

“960 Watt Commercial Horticulture Series LED,” Jun. 6, 2019, amazon.com, site visited Oct. 15, 2020, URL: https://www.amazon.com/Watt-Commercial-Horticulture-Grow-Lights/dp/B0815TCB46/ref=asc_df_B0815TCB46/?tag=hyprod-20&linkCode=df0&hvadid=459534575701&hvpos=&hvnetw=g&hvrnd=964058564785 (Year: 2019).*

“Tube Grow Light,” bestcled.com, site visited Oct. 15, 2020, URL: <https://bestcled.com/product/tube-grow-light/> (Year: 2020).*

“Daniel Lei (Facebook video post),” Jun. 12, 2020, facebook.com, site visited Oct. 15, 2020, URL: <https://www.facebook.com/danielledlighting/videos/320679138924576> (Year: 2020).*

“Daniel Lei (Facebook photo post),” Jun. 12, 2020, facebook.com, site visited Oct. 15, 2020, URL: <https://www.facebook.com/photo.php?fbid=320677795591377&set=pb.100029474781901.-2207520000.&type=3> (Year: 2020).*

“800W Grow Light LED Grow Strip Light for Flowers Medical Weed Plant,” toolots.com, site visited Oct. 15, 2020, URL: <https://www.toolots.com/ph-b10.html> (Year: 2020).*

* cited by examiner

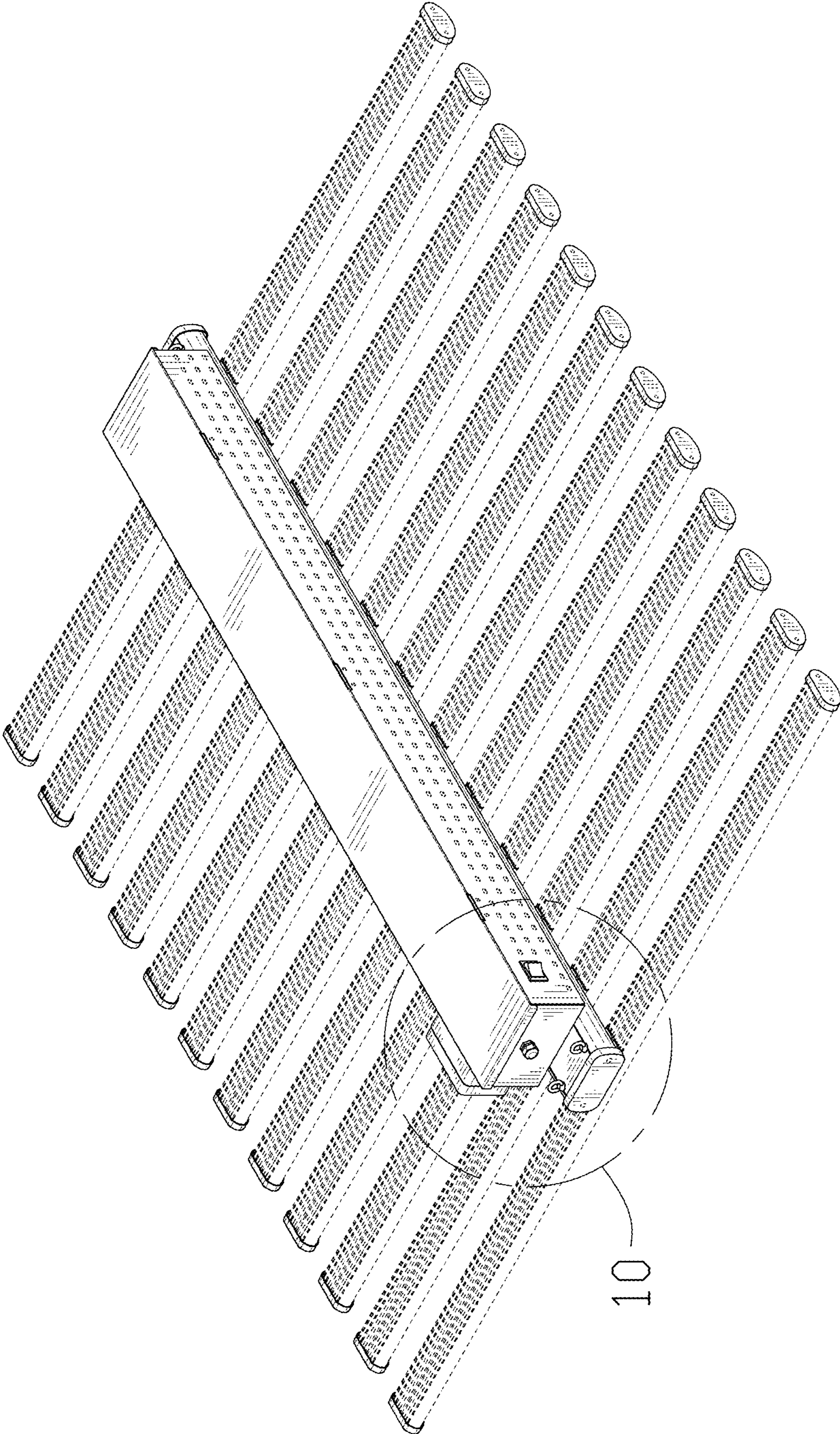


FIG. 1

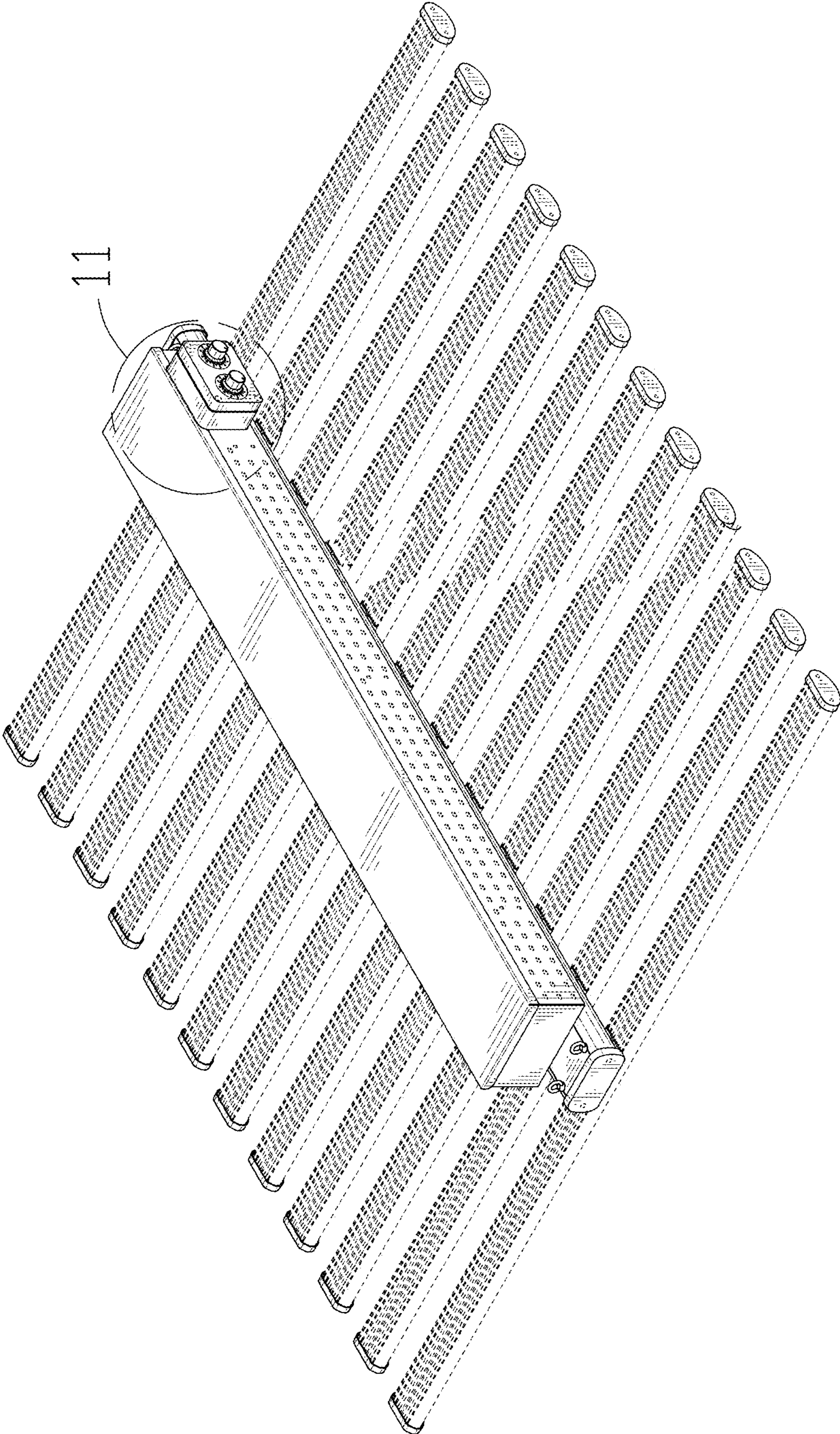


FIG. 2

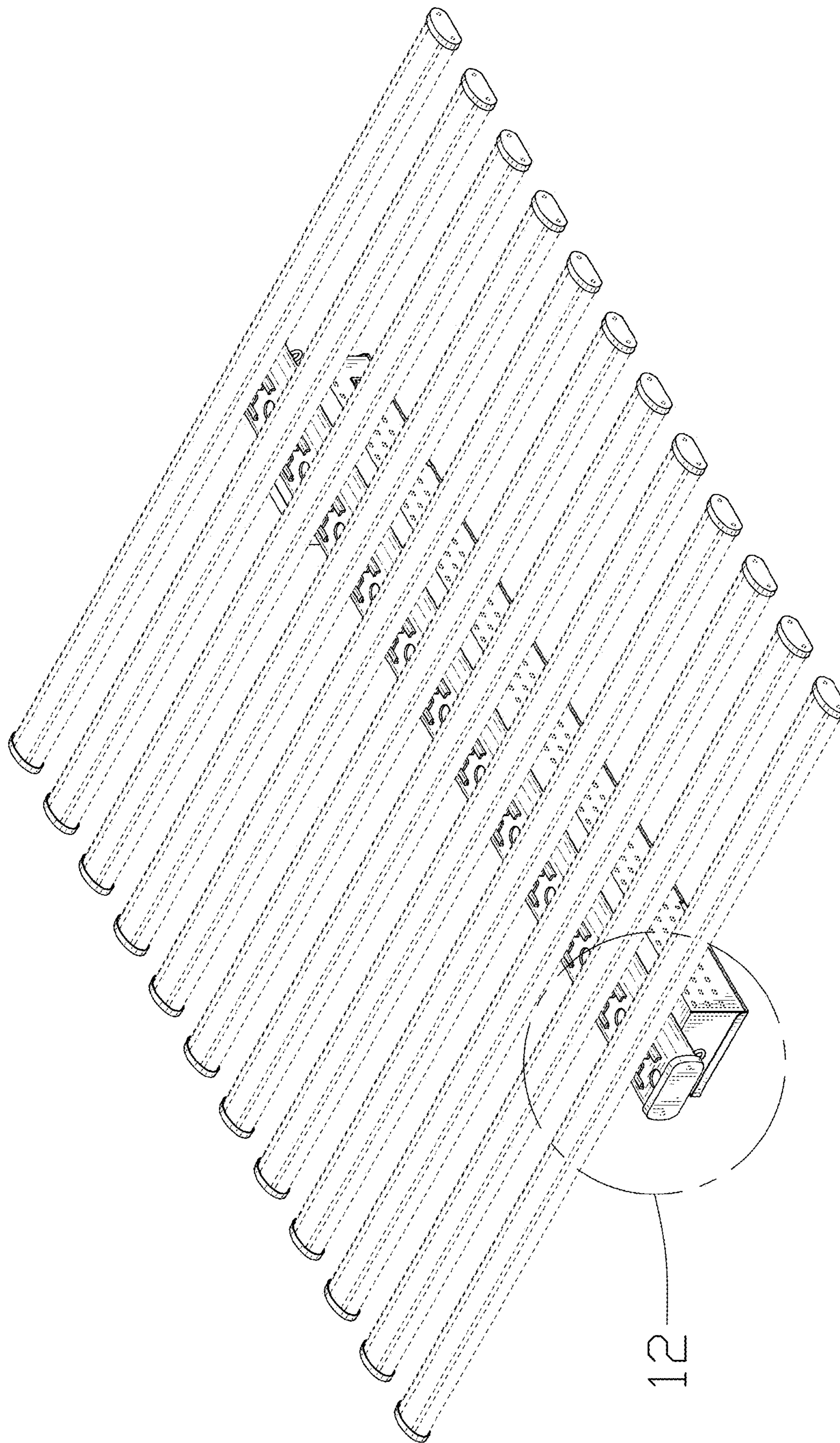


FIG. 3

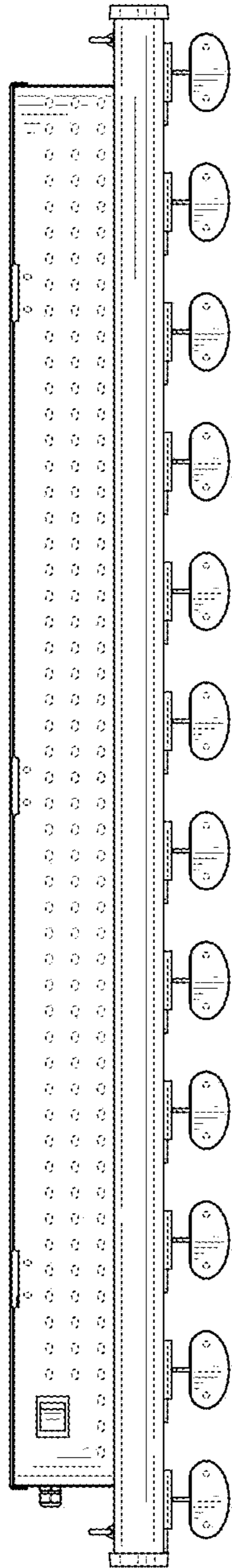


FIG. 4

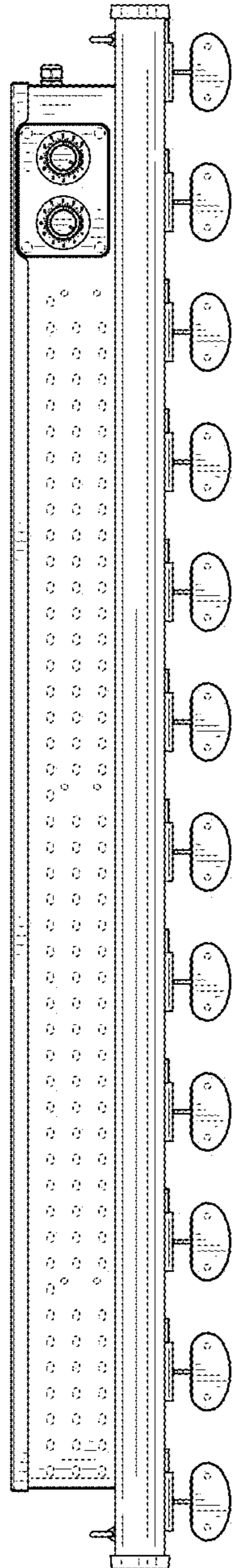


FIG. 5

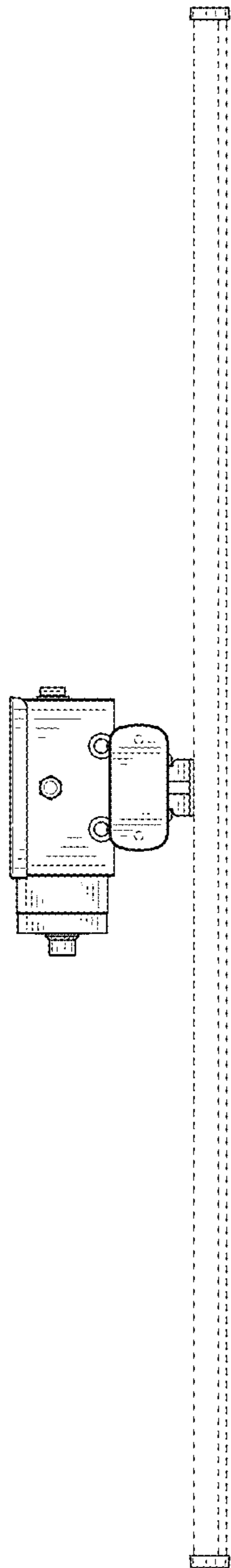


FIG. 6

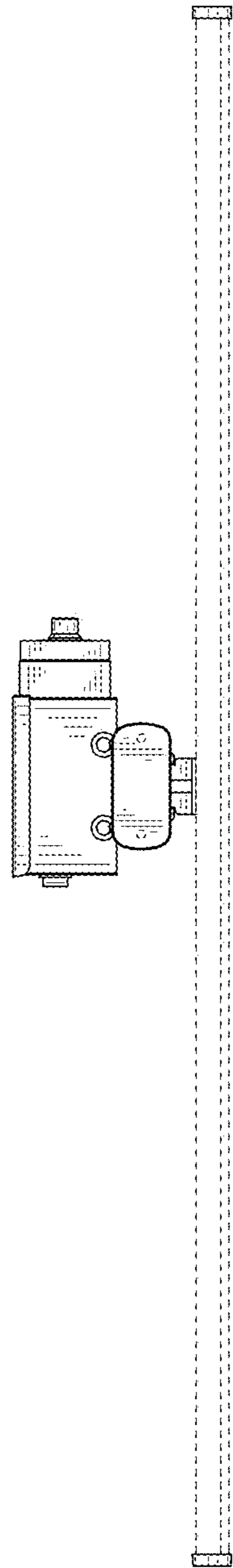


FIG. 7

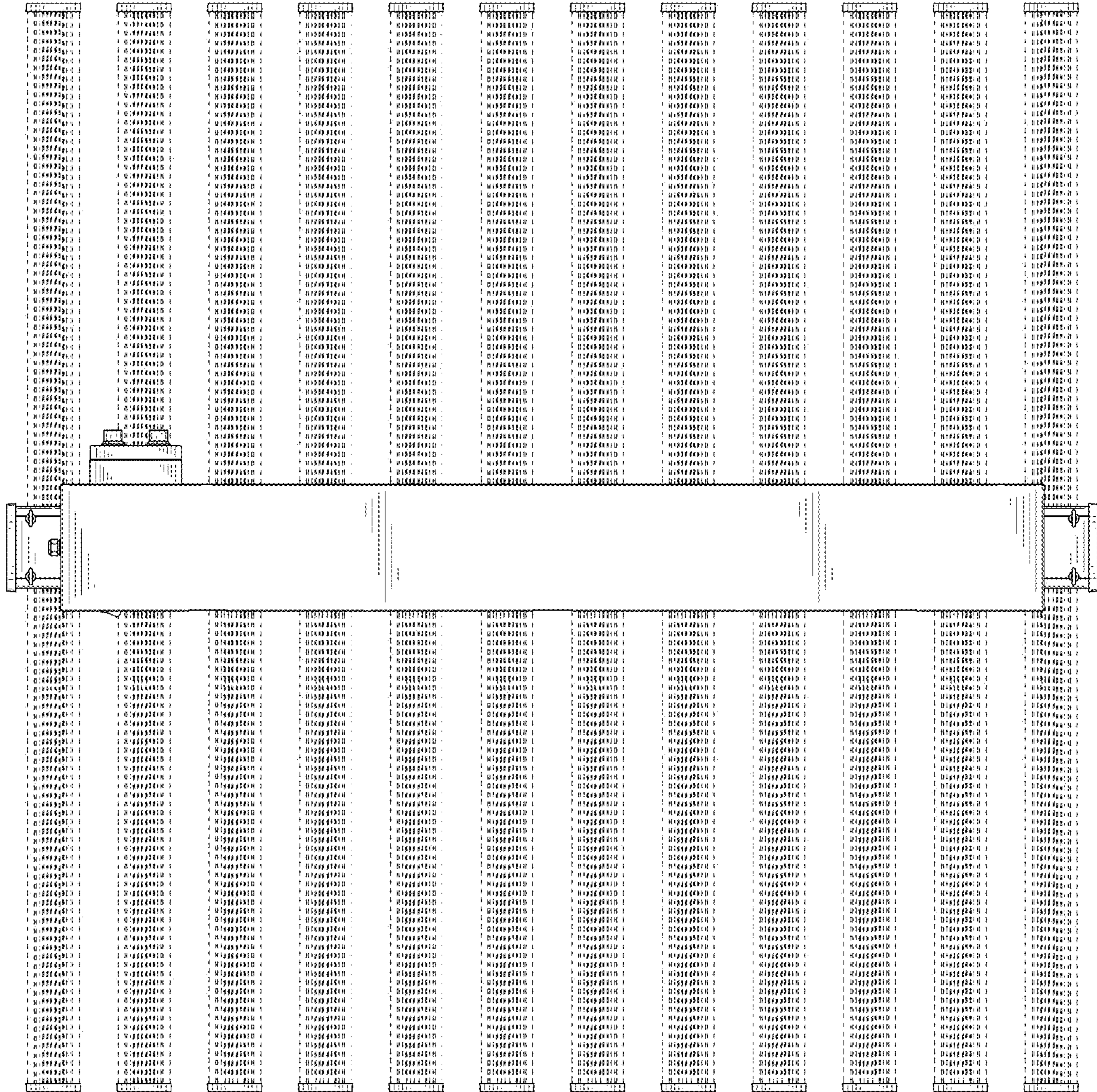


FIG. 8

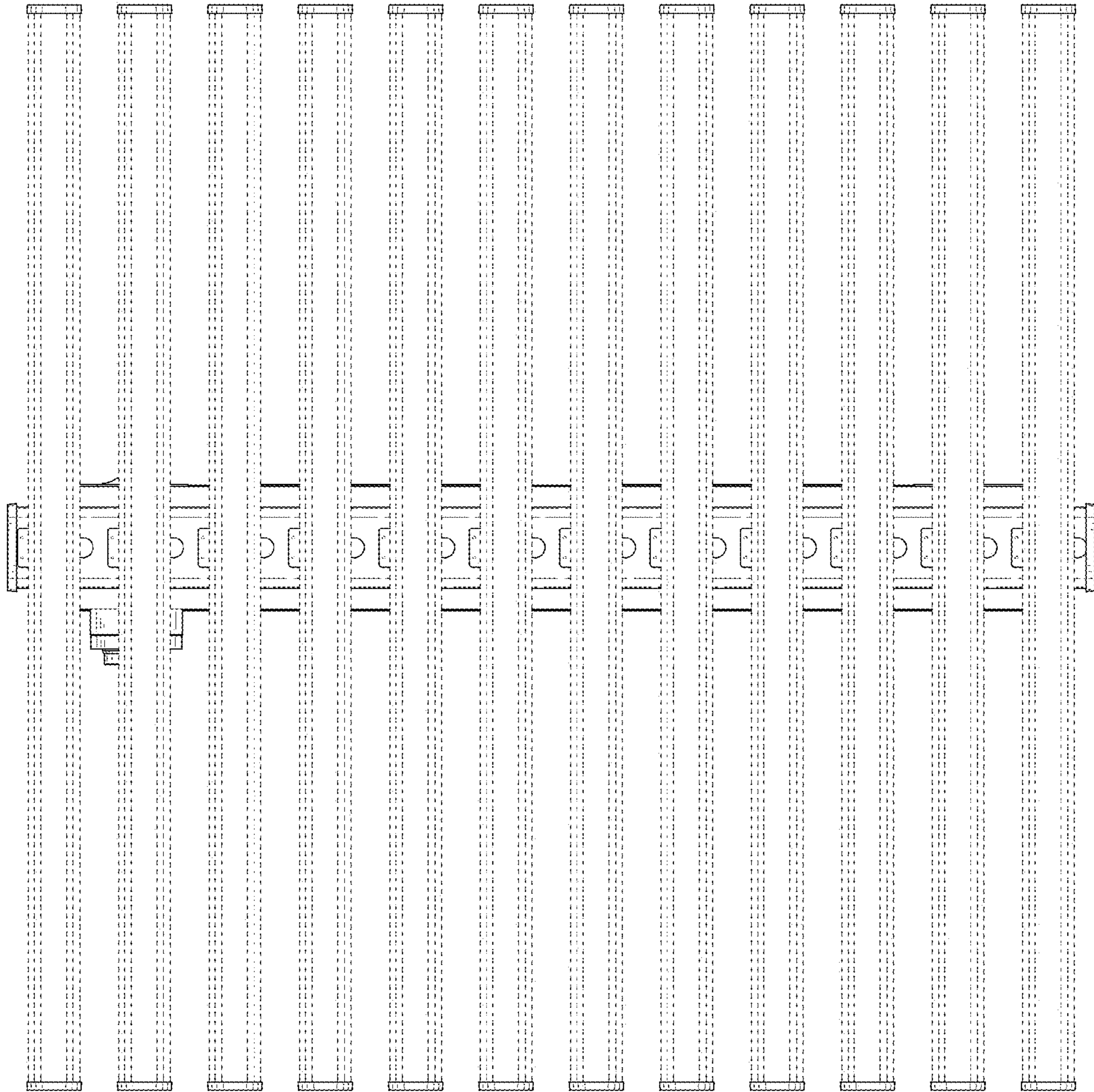


FIG. 9

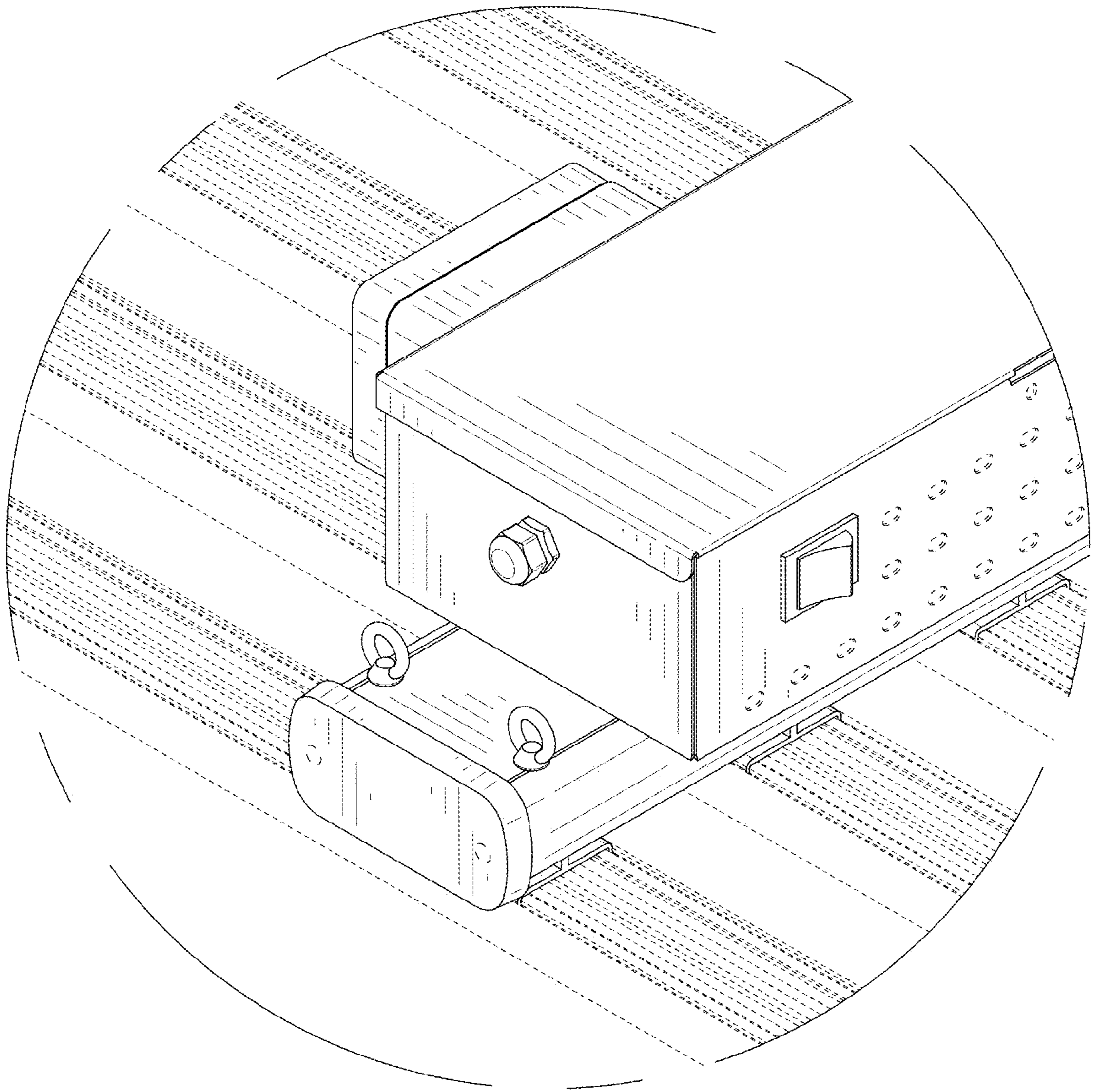


FIG. 10

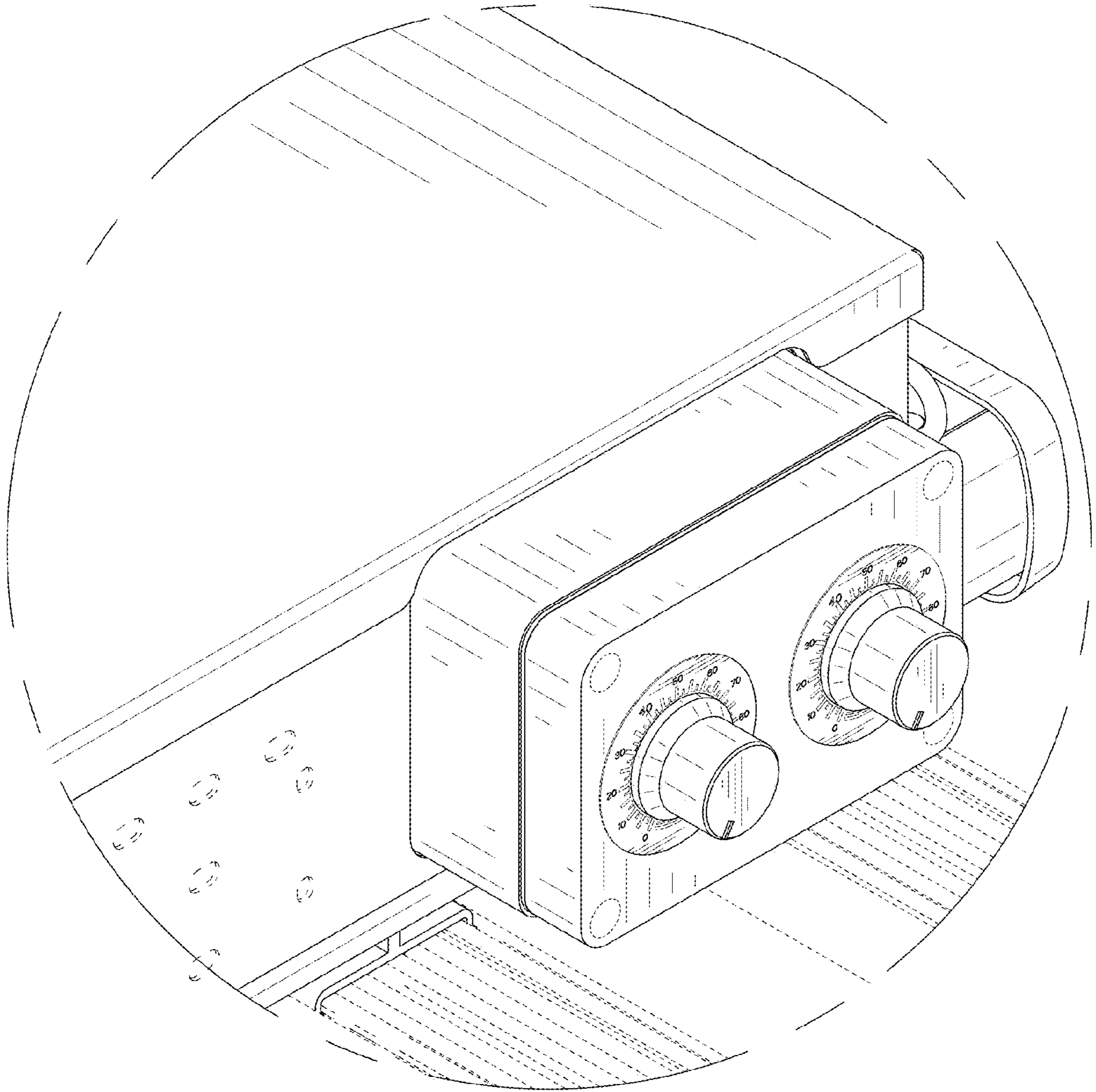


FIG. 11

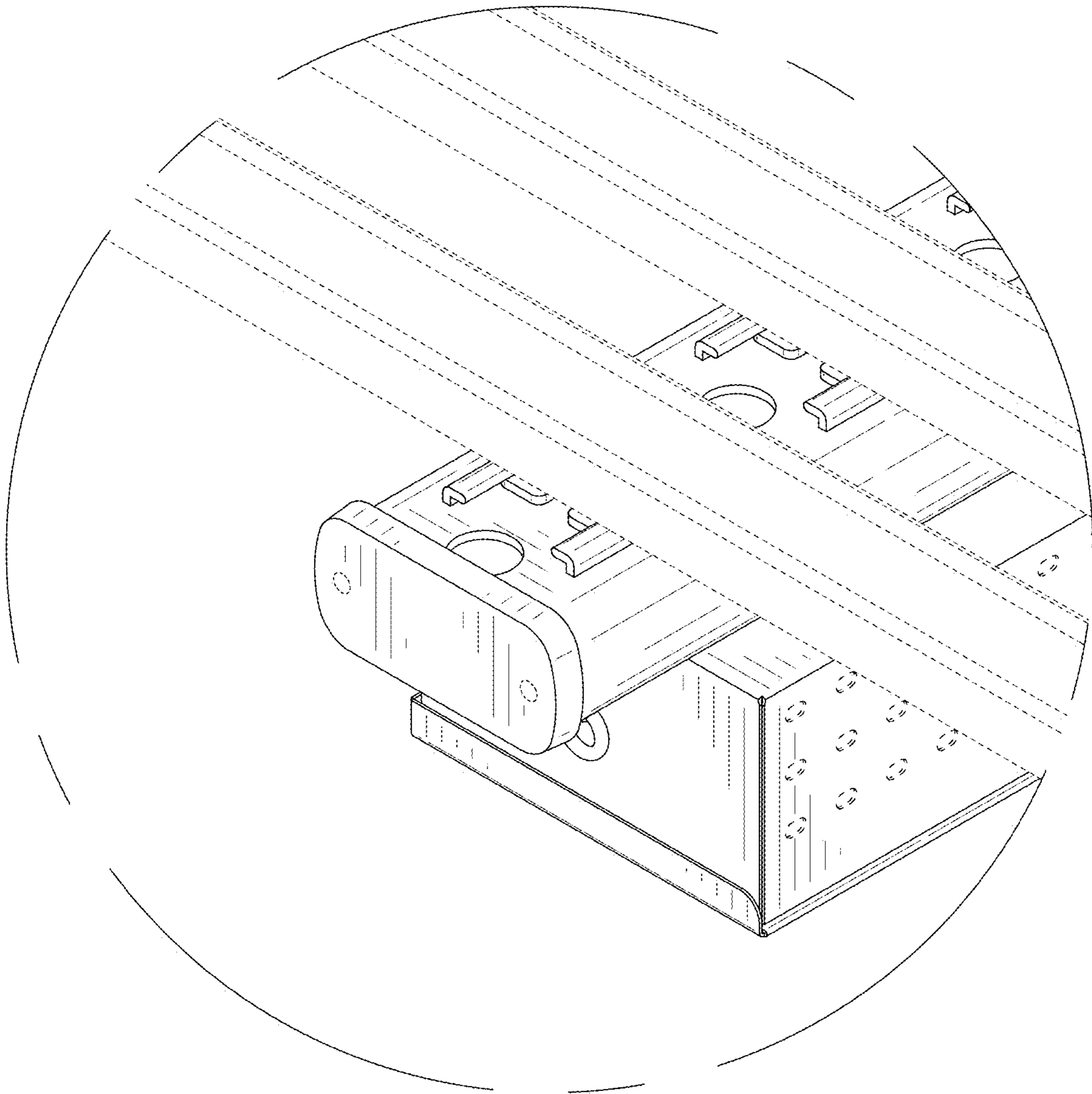


FIG. 12

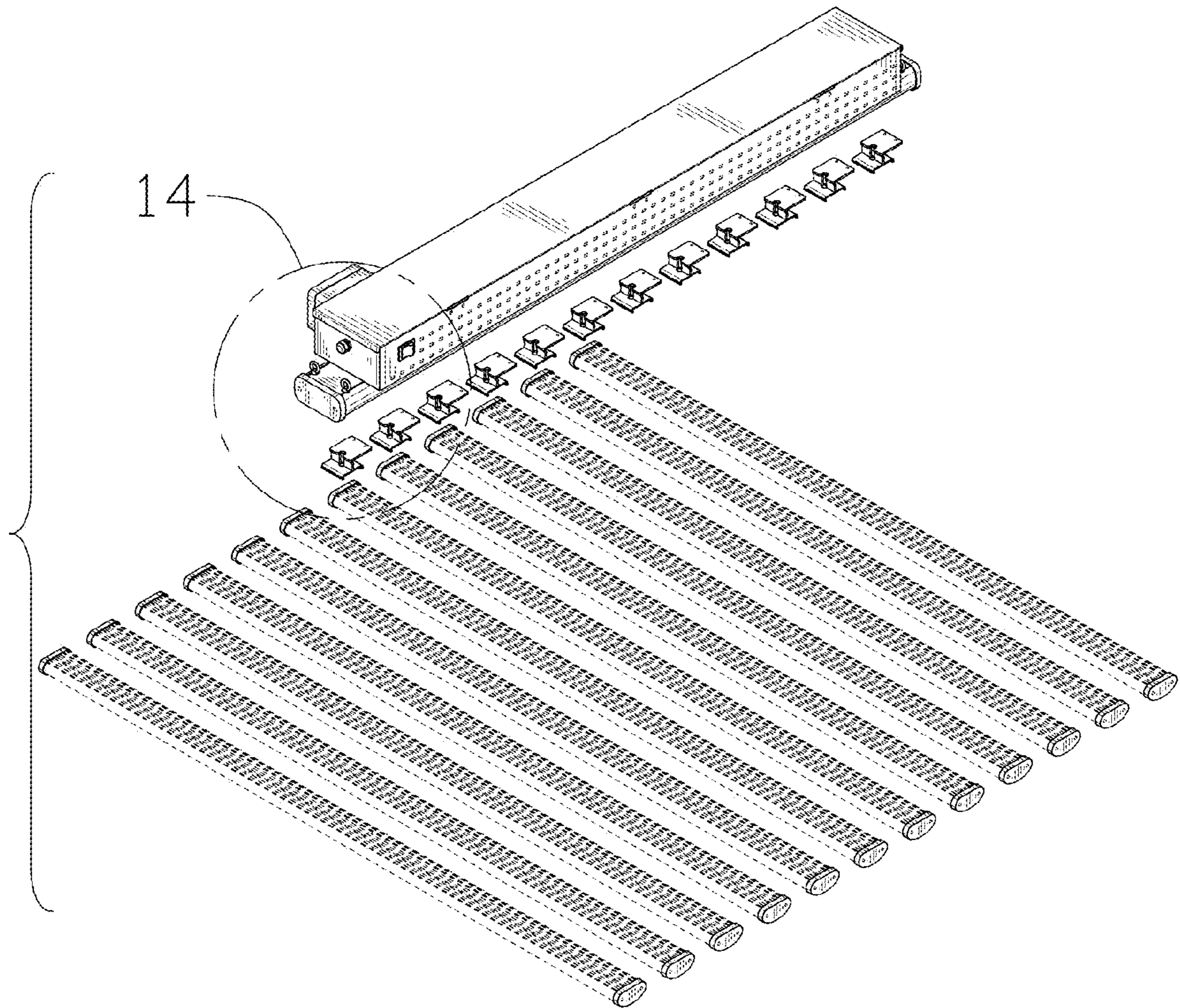


FIG. 13

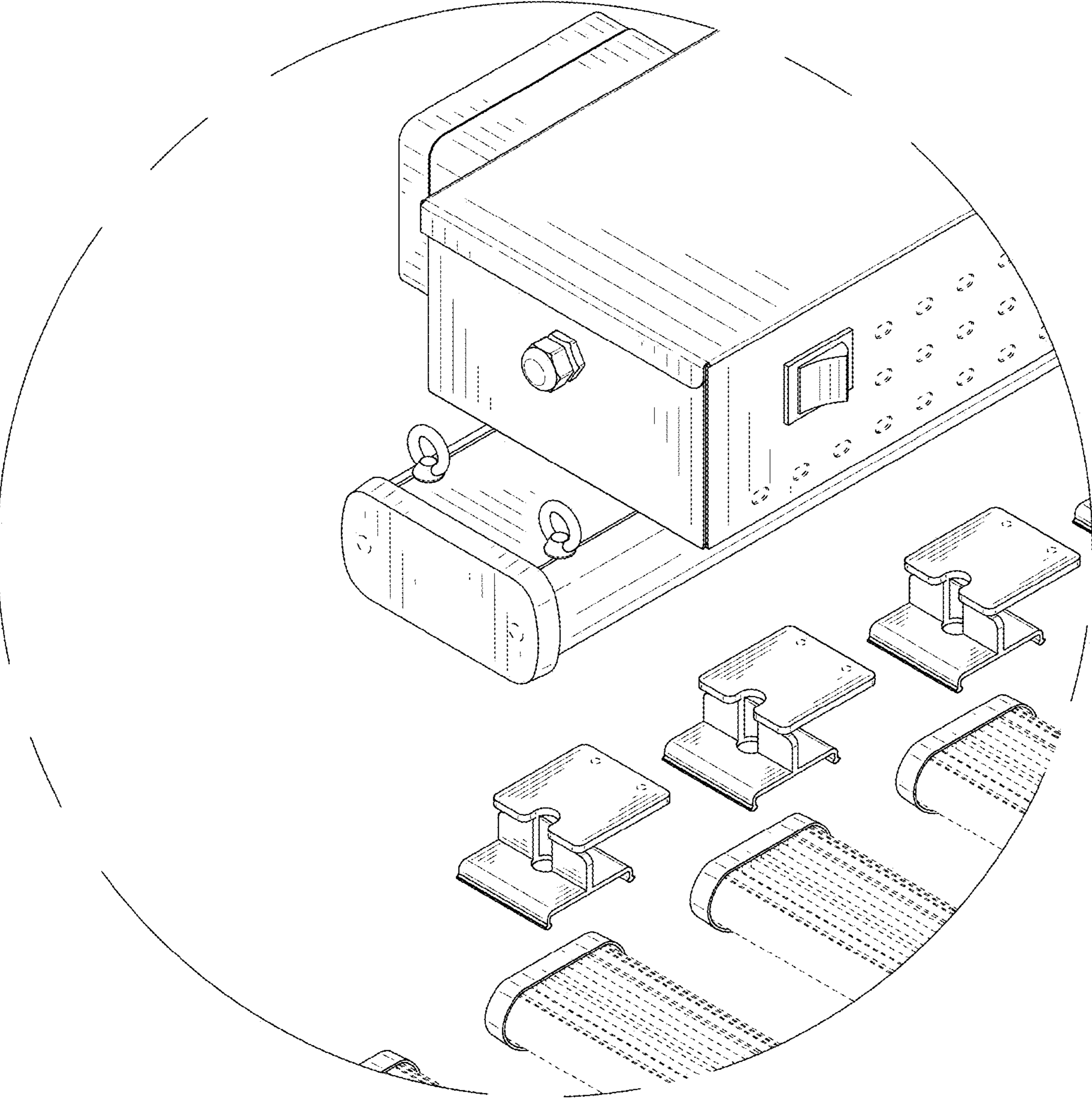


FIG. 14

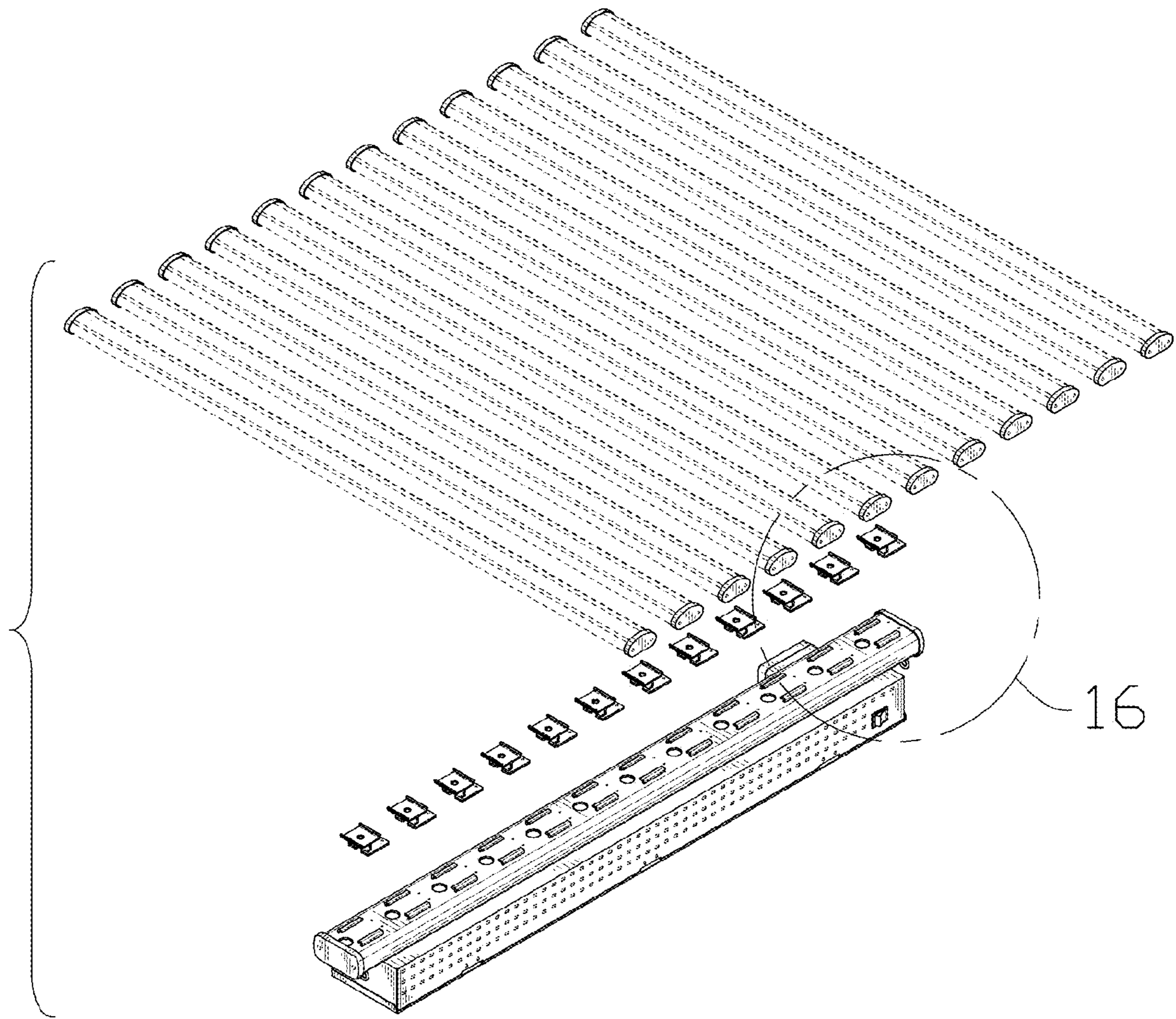


FIG. 15

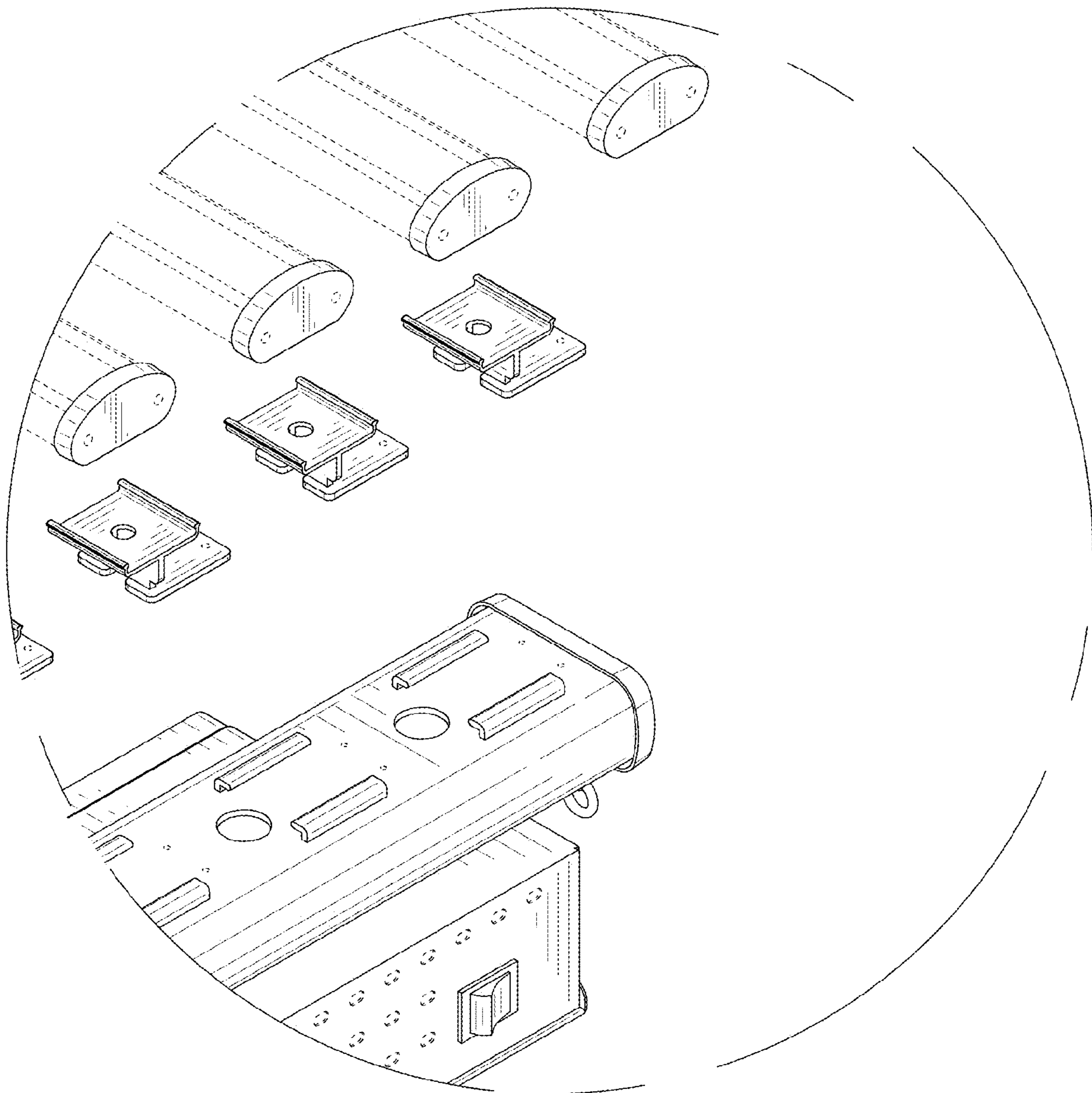


FIG. 16