



US00D910897S

(12) **United States Design Patent**
Liu

(10) **Patent No.:** **US D910,897 S**

(45) **Date of Patent:** **** Feb. 16, 2021**

(54) **STREET LAMP**

(71) Applicant: **Hesheng Liu**, Yuanling County (CN)

(72) Inventor: **Hesheng Liu**, Yuanling County (CN)

(**) Term: **15 Years**

(21) Appl. No.: **29/694,262**

(22) Filed: **Jun. 10, 2019**

(51) **LOC (13) Cl.** **26-05**

(52) **U.S. Cl.**
USPC **D26/67**

(58) **Field of Classification Search**
USPC D26/67-71, 72, 73, 85, 87, 92
CPC F21S 8/03; F21S 8/033; F21S 8/036; F21S
8/081; F21S 8/83; F21S 8/86; F21S
9/037; F21W 2111/102; F21W 2111/023;
F21W 2131/109
See application file for complete search history.

(56) **References Cited**

U.S. PATENT DOCUMENTS

3,015,720	A *	1/1962	Silverman	F21V 21/0824	362/431
D309,798	S *	8/1990	Koziol	D26/110	
D478,683	S *	8/2003	Kuelbs	D26/72	
D483,138	S *	12/2003	Chen	D26/67	
D495,084	S *	8/2004	Hon	D26/67	
D497,684	S *	10/2004	Hon	D26/67	
D507,068	S *	7/2005	Chen	D26/67	
D508,581	S *	8/2005	Cheong	D26/68	
D549,381	S *	8/2007	Curtin	D26/67	
D553,284	S *	10/2007	Bucher	D26/67	
D553,285	S *	10/2007	Curtin	D26/67	
D563,015	S *	2/2008	Lee	D26/67	
D629,950	S *	12/2010	Izardel	D26/67	

D694,932	S *	12/2013	Meyer	D26/67
D822,866	S *	7/2018	Chen	D26/67
D901,057	S *	11/2020	Chen	D26/67
2015/0103518	A1 *	4/2015	Zhu	F21V 21/22
					362/183

OTHER PUBLICATIONS

Lily's Home Solar Lamp Post Light—Coach Light with a Deck Mount available at amazon.com as early as Feb. 10, 2017. (Year: 2017).*

KMC Lighting ST4212Q Solar Post Light available at amazon.com Sep. 13, 2018. (Year: 2018).*

Smeike Outdoor Post Light available at amazon.com as early as Jun. 4, 2019. (Year: 2019).*

* cited by examiner

Primary Examiner — Clare E Hefflin

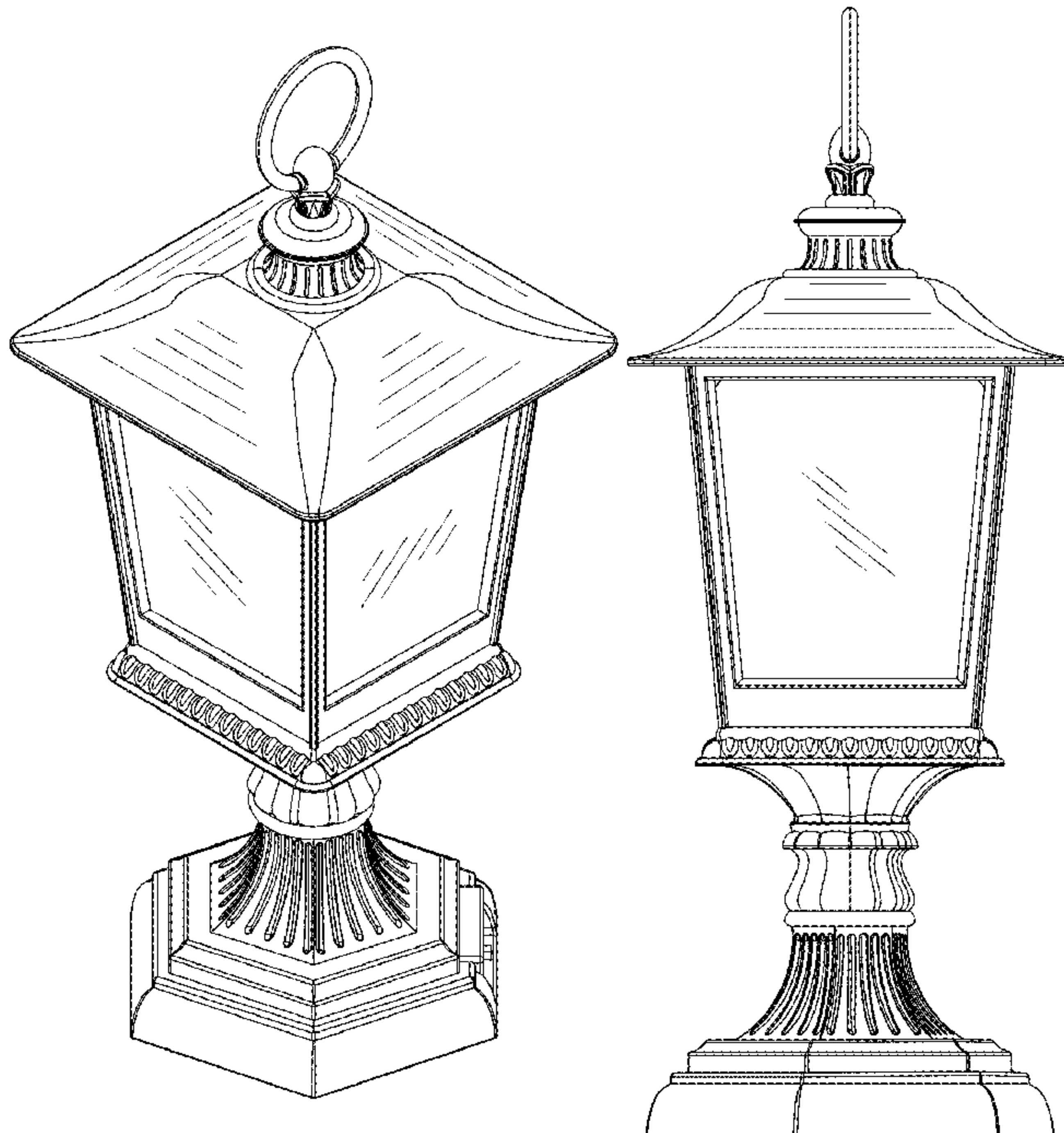
(57) **CLAIM**

The ornamental design for a street lamp, as shown and described.

DESCRIPTION

FIG. 1 is a front, top perspective view of the street lamp showing my new design;
FIG. 2 is a front, bottom perspective view thereof;
FIG. 3 is a front elevational view thereof;
FIG. 4 is a rear elevational view thereof;
FIG. 5 is a left side elevational view thereof;
FIG. 6 is a right side elevational view thereof;
FIG. 7 is a top plan view thereof; and,
FIG. 8 is a bottom plan view thereof.

1 Claim, 8 Drawing Sheets



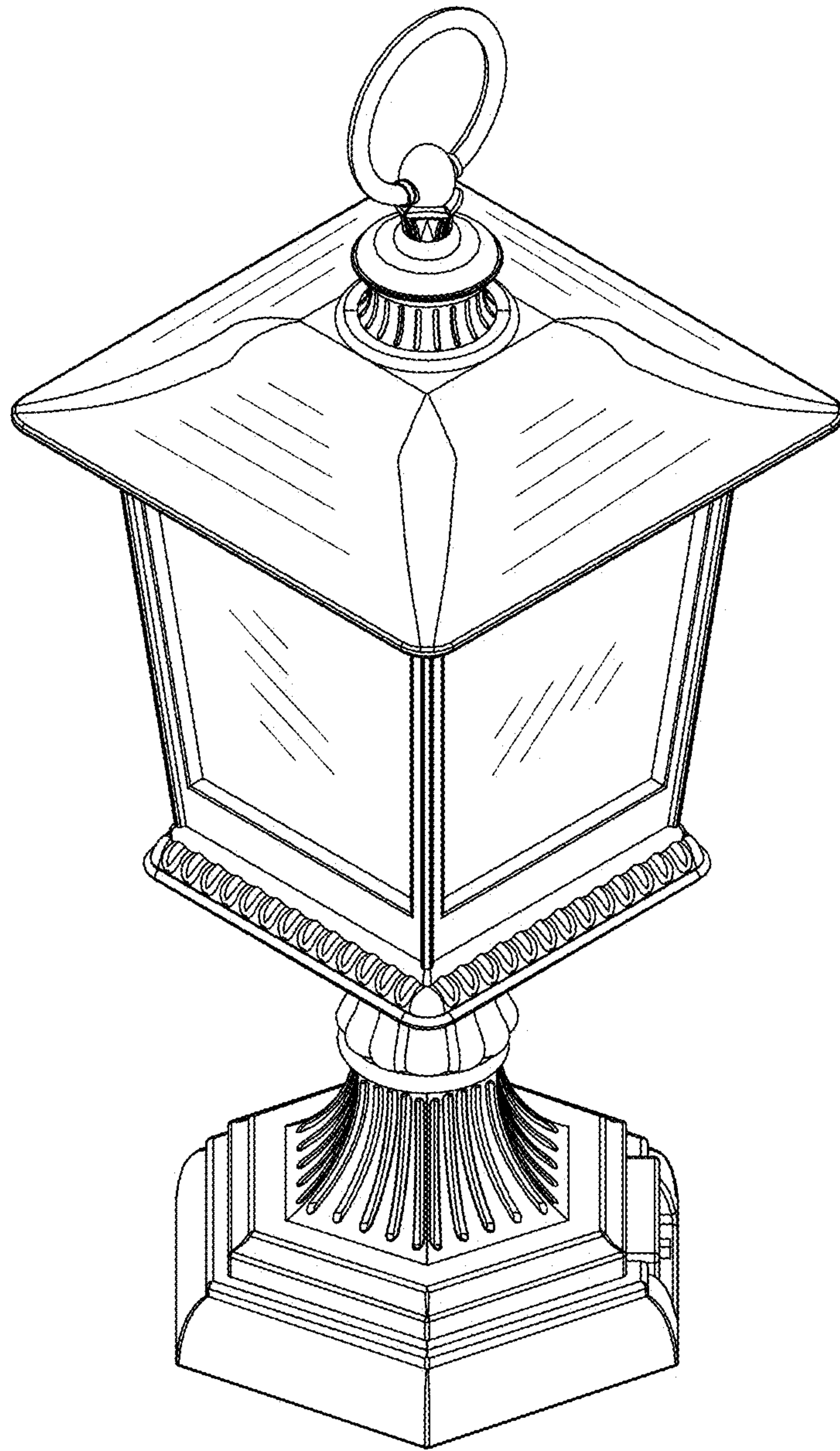


FIG. 1

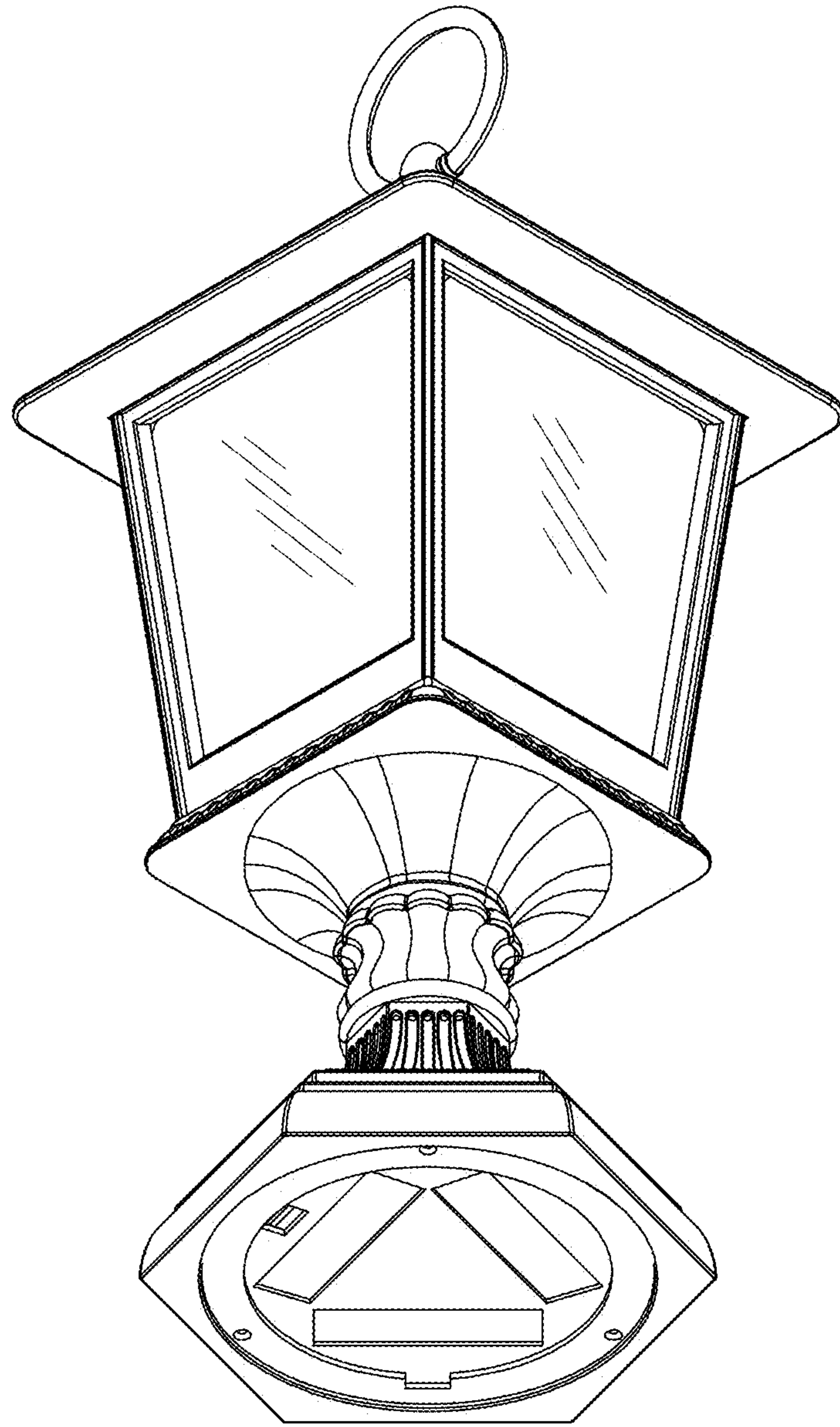


FIG.2

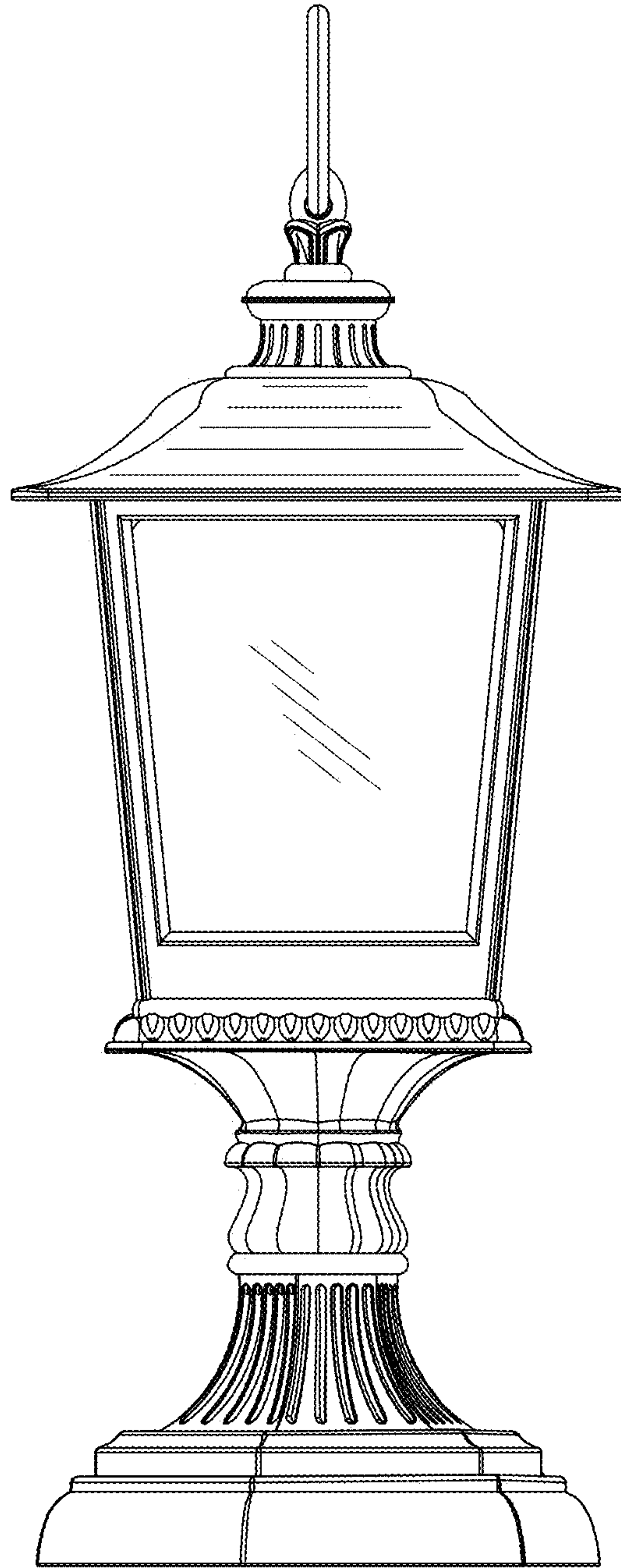


FIG. 3

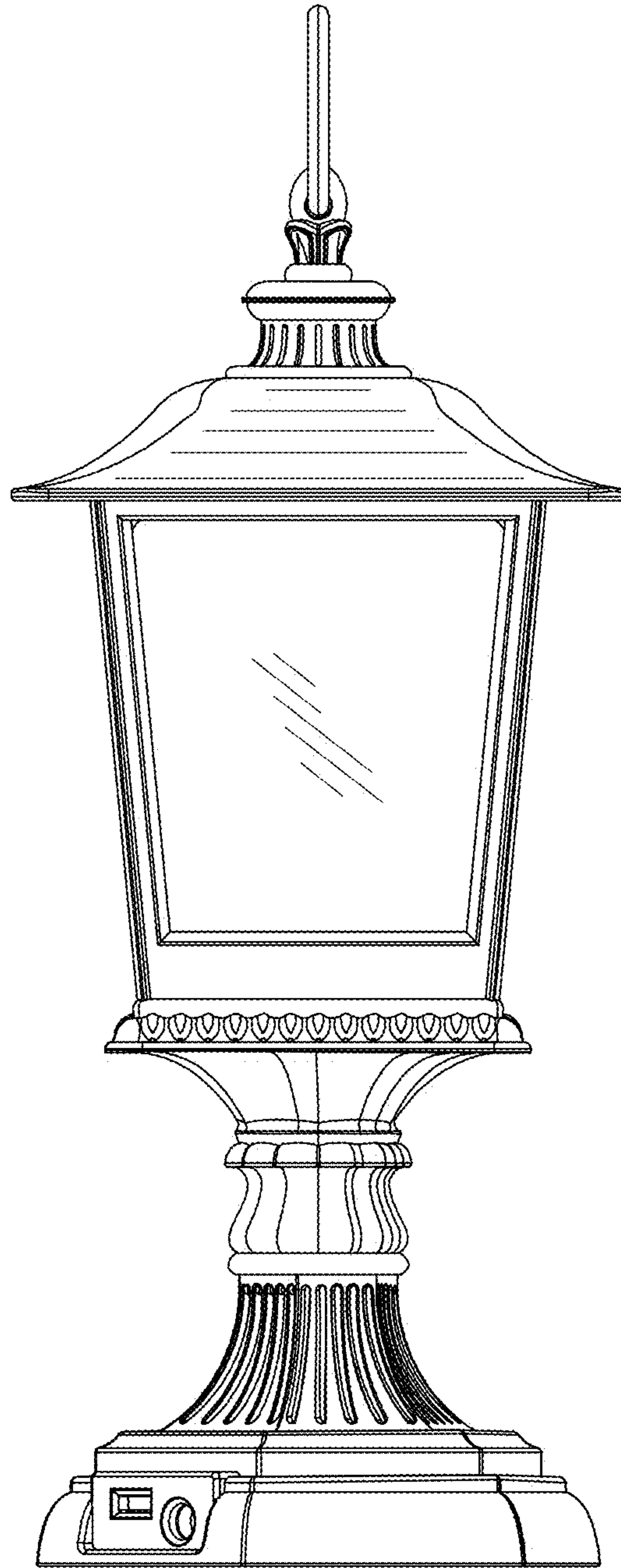


FIG. 4

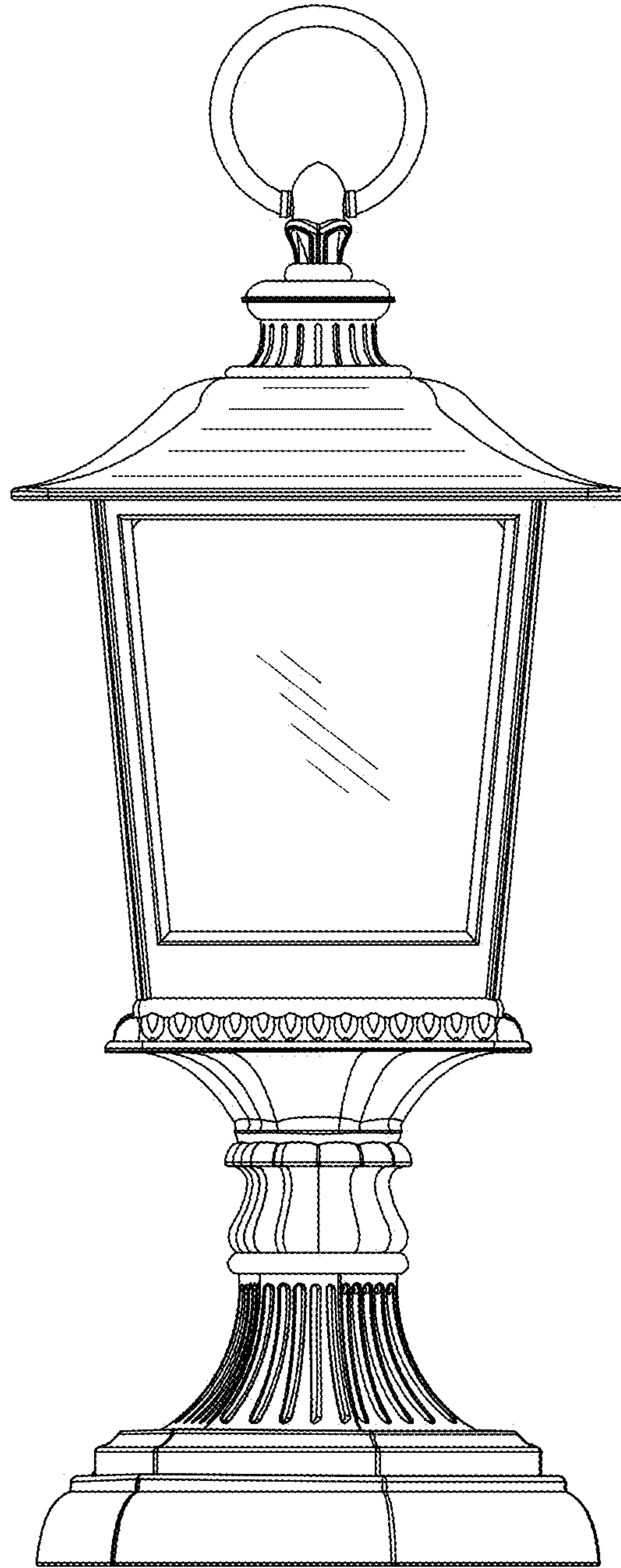


FIG.5

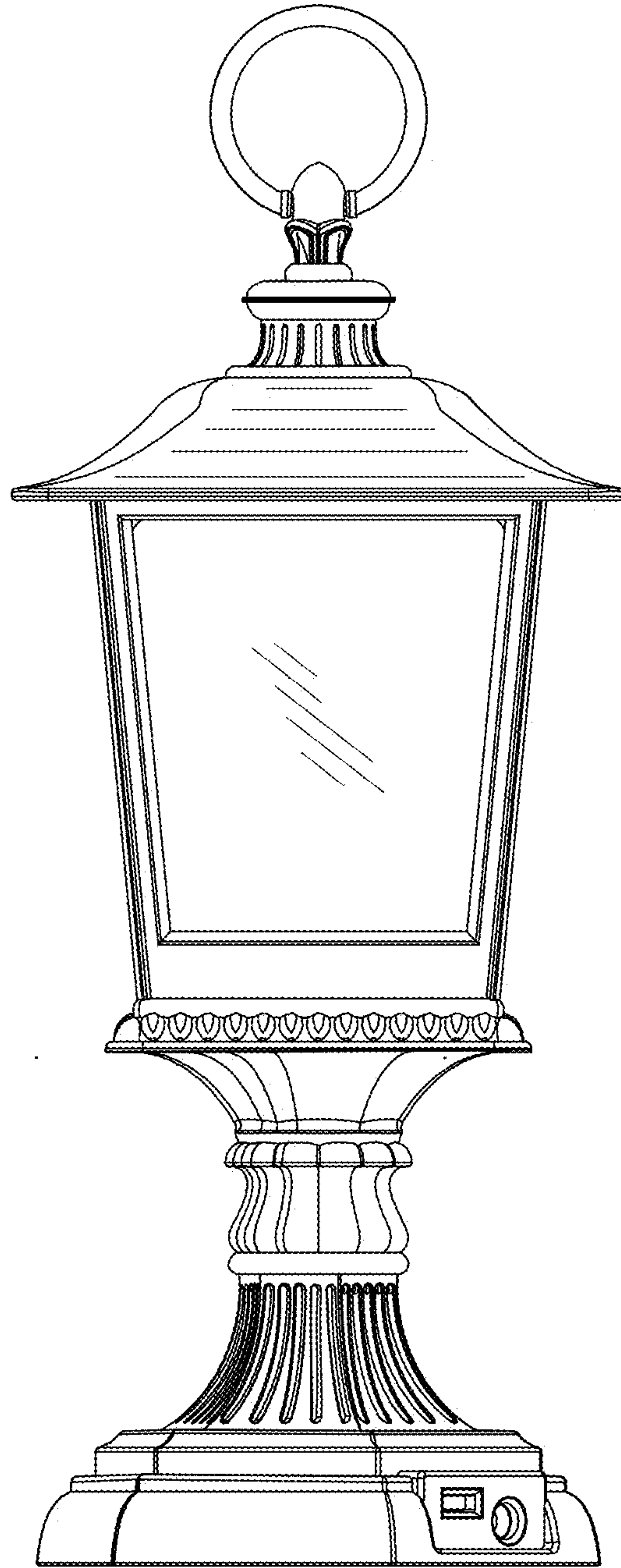


FIG.6

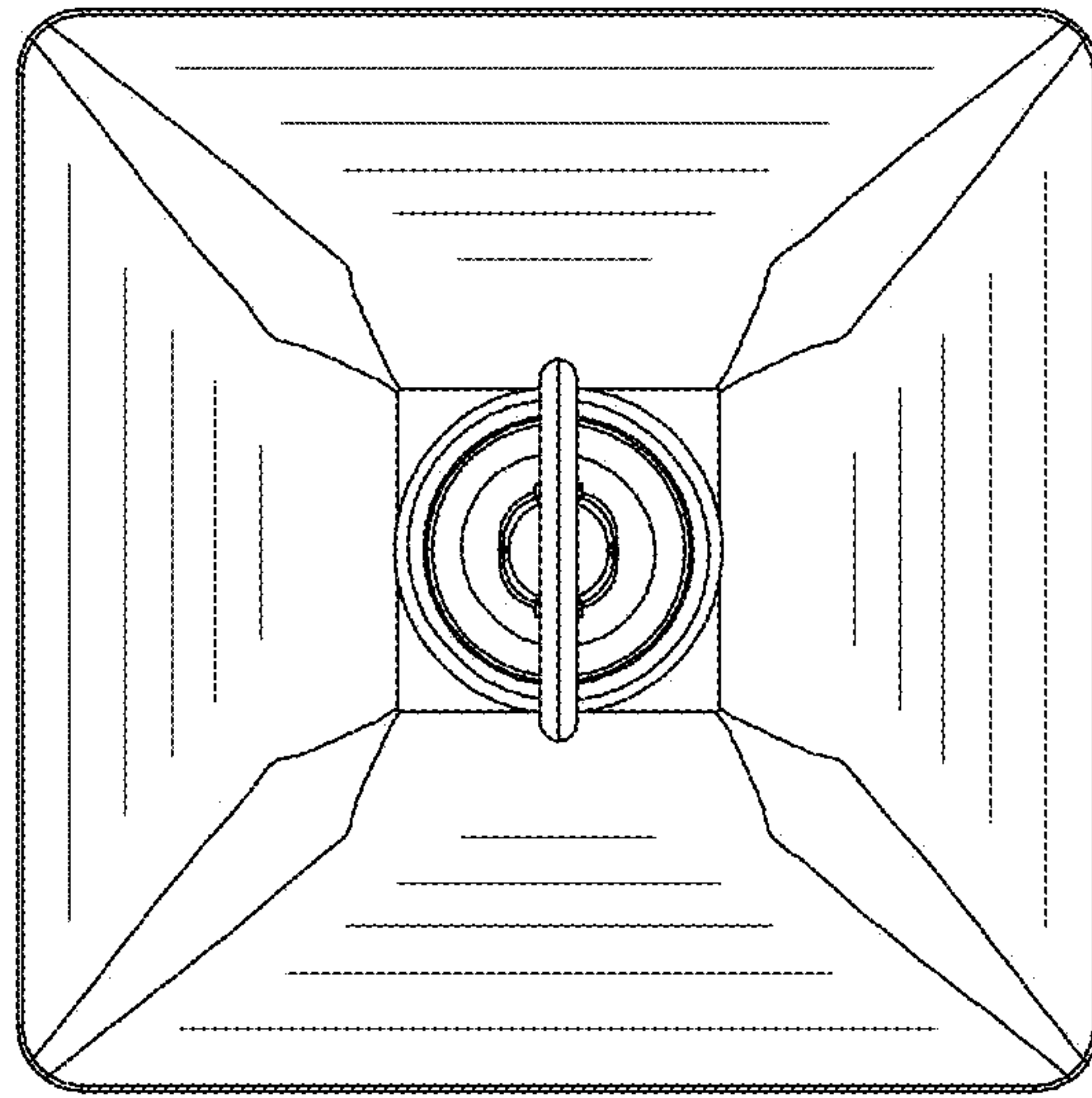


FIG.7

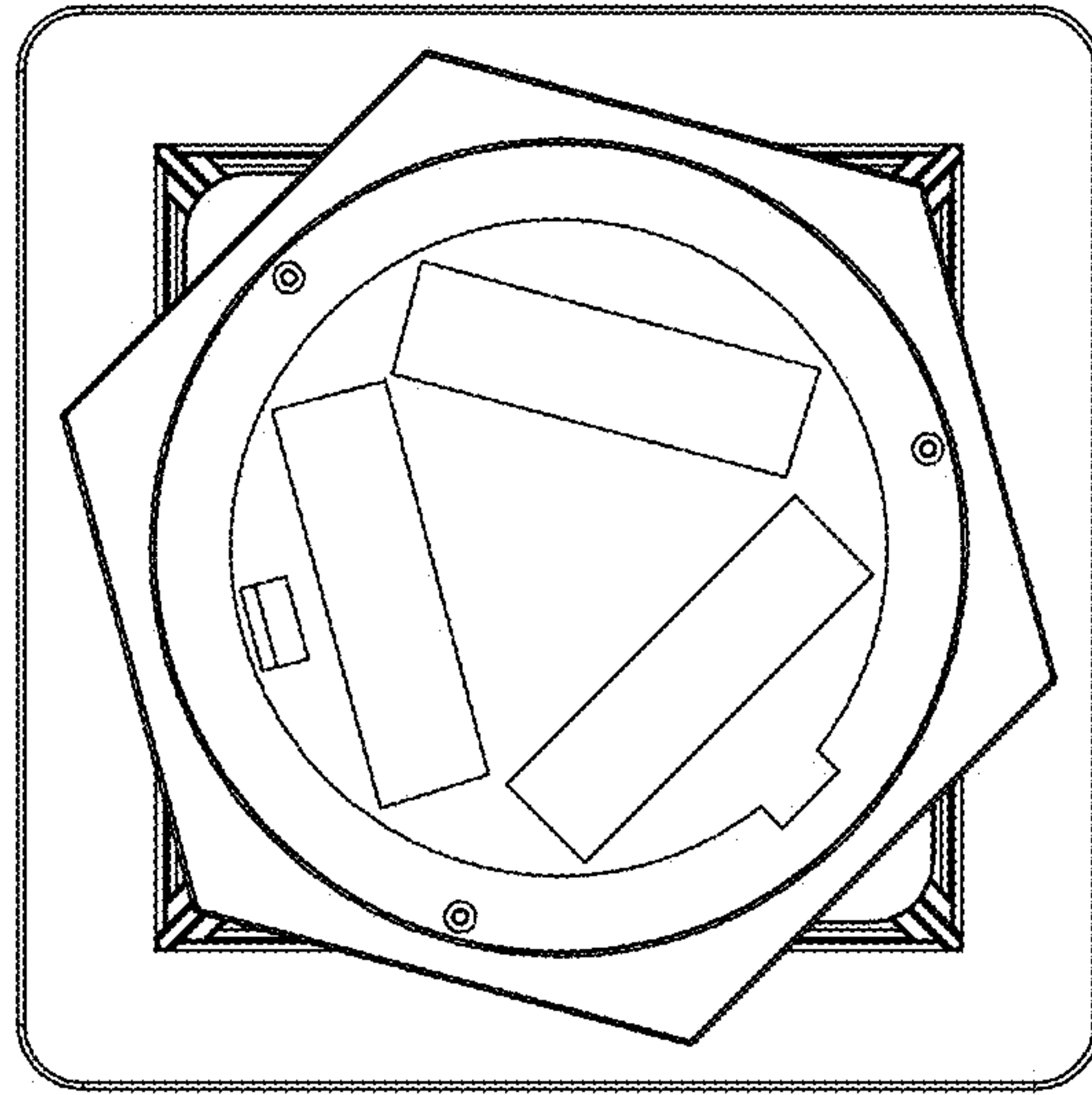


FIG. 8