



US00D910895S

(12) **United States Design Patent** (10) **Patent No.:** **US D910,895 S**  
**Deurwaarder** (45) **Date of Patent:** **\*\* Feb. 16, 2021**

(54) **LIGHTING FIXTURE**

(71) Applicant: **SIGNIFY HOLDING B.V.**, Eindhoven (NL)

(72) Inventor: **Wessel Peter Deurwaarder**, Eindhoven (NL)

(73) Assignee: **SIGNIFY HOLDING B.V.**, Eindhoven (NL)

(\*\*) Term: **15 Years**

(21) Appl. No.: **29/682,298**

(22) Filed: **Mar. 4, 2019**

(30) **Foreign Application Priority Data**

Sep. 25, 2018 (EM) ..... 005657806

(51) **LOC (13) Cl.** ..... **26-03**

(52) **U.S. Cl.**  
USPC ..... **D26/63**

(58) **Field of Classification Search**  
USPC ..... D26/24, 51, 61, 63, 65, 72, 80  
CPC .... F21S 8/04; F21S 8/00; F21V 21/00; F21V 17/02; F21V 14/02; F21V 21/30; F21V 21/14; F21V 21/26; F21W 2131/10  
See application file for complete search history.

(56) **References Cited**

U.S. PATENT DOCUMENTS

D788,967 S *	6/2017	Chen .....	D26/65
D869,720 S *	12/2019	Recker .....	D26/63
D884,242 S *	5/2020	Gruendl .....	D26/63

\* cited by examiner

*Primary Examiner* — Brian N. Vinson

(74) *Attorney, Agent, or Firm* — Daniel J. Piotrowski

(57) **CLAIM**

The ornamental design for a “lighting fixture”, as shown and described.

**DESCRIPTION**

FIG. 1 is a perspective view of a lighting fixture showing our design;

FIG. 2 is a front elevational view thereof;

FIG. 3 is a rear elevational view thereof;

FIG. 4 is a right side elevational view thereof;

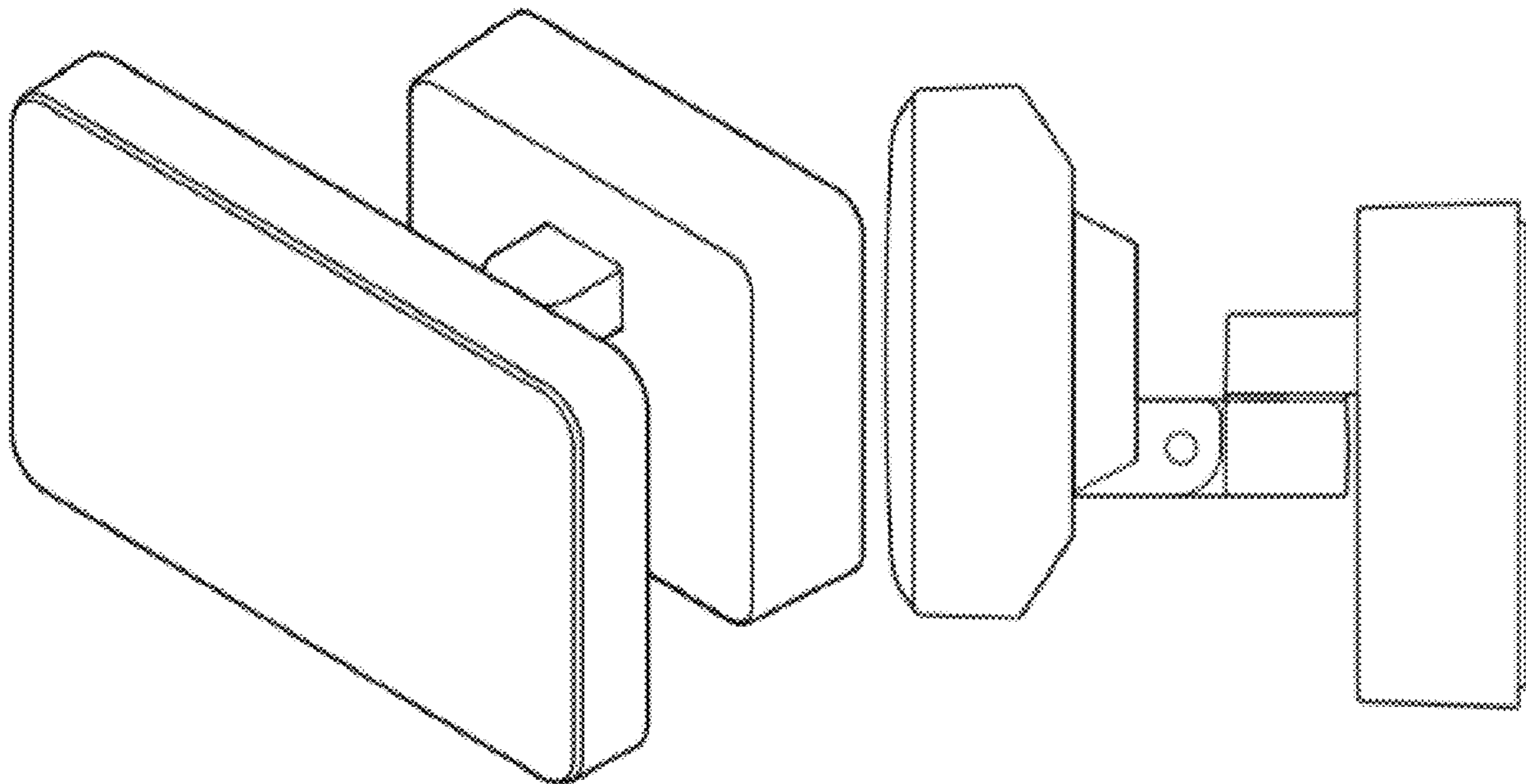
FIG. 5 is a left side elevational view thereof;

FIG. 6 is a top plan view thereof; and,

FIG. 7 is a bottom plan view thereof.

The lighting fixture of the present invention may be coupled with one or more power cables or brackets which are depicted in broken lines and form no part of the design.

**1 Claim, 4 Drawing Sheets**



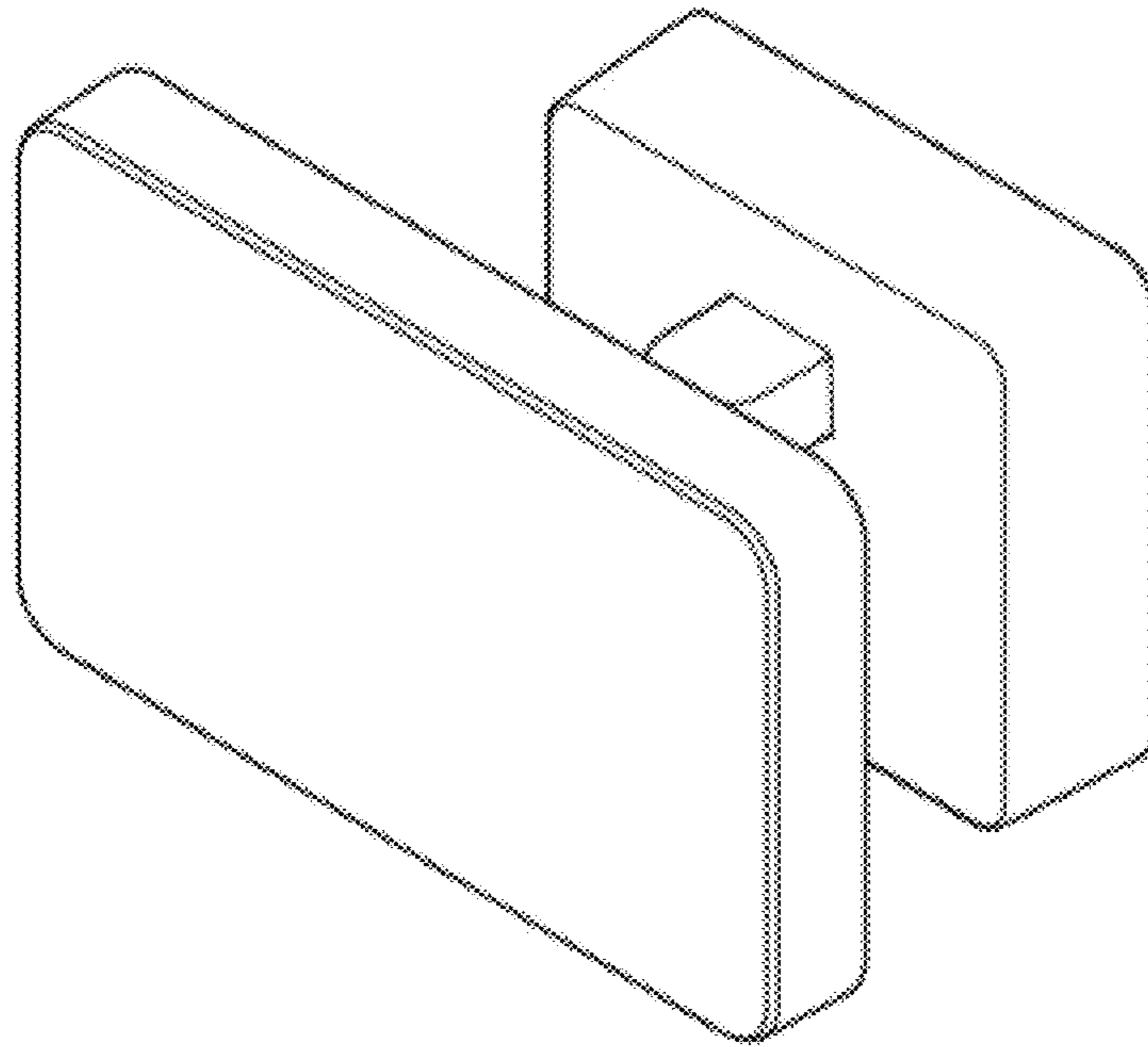


Fig. 1

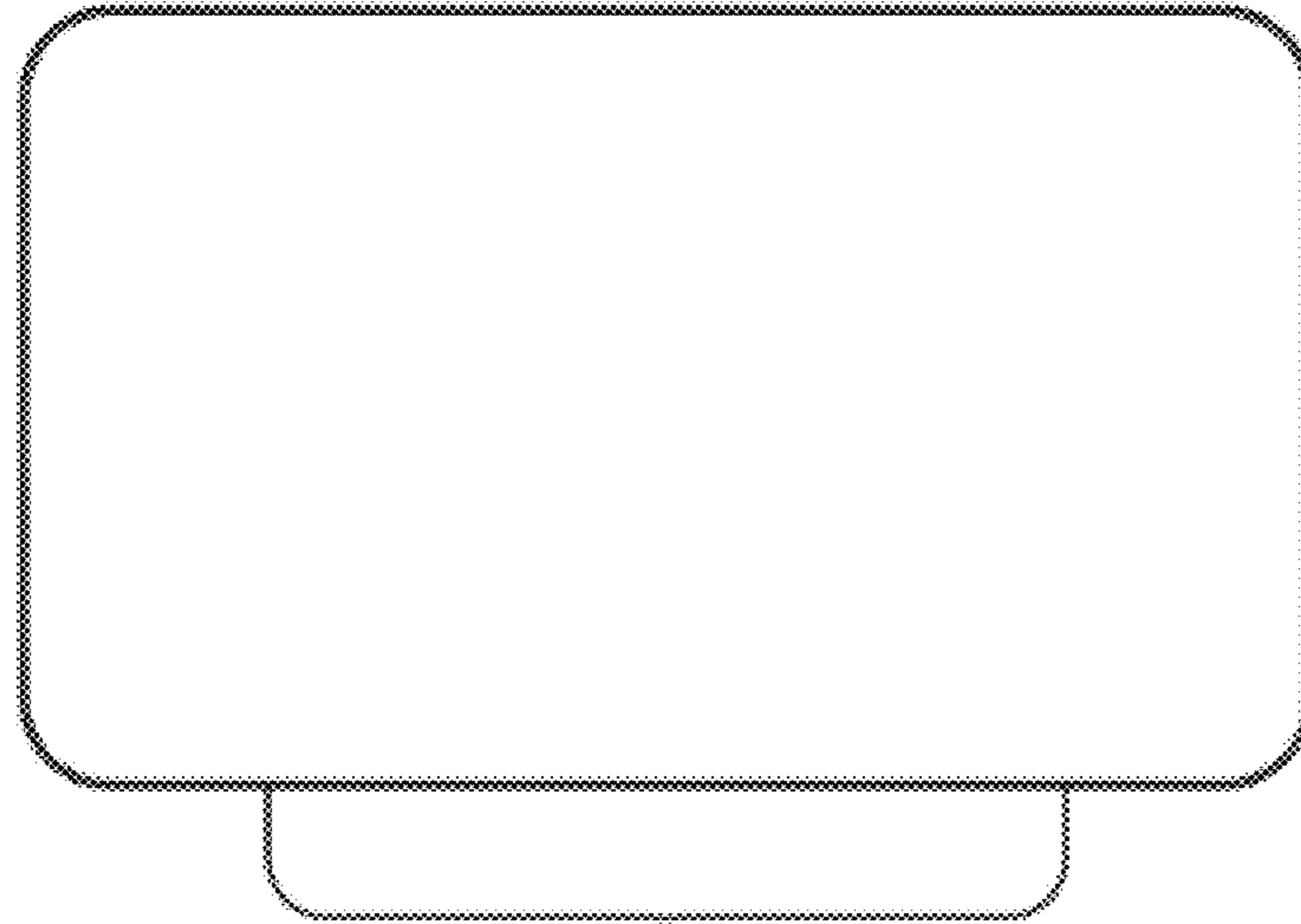


Fig. 2

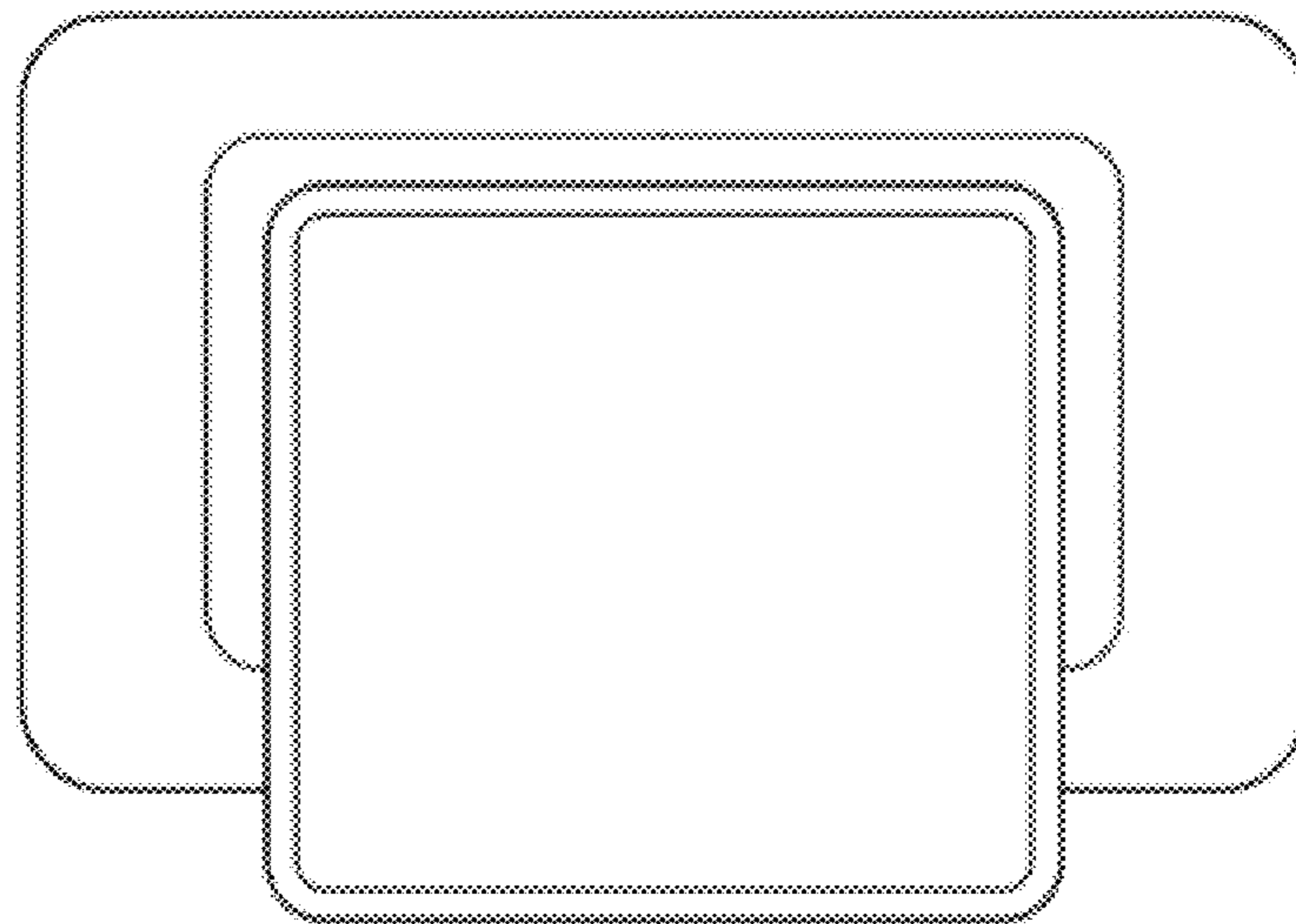


Fig. 3

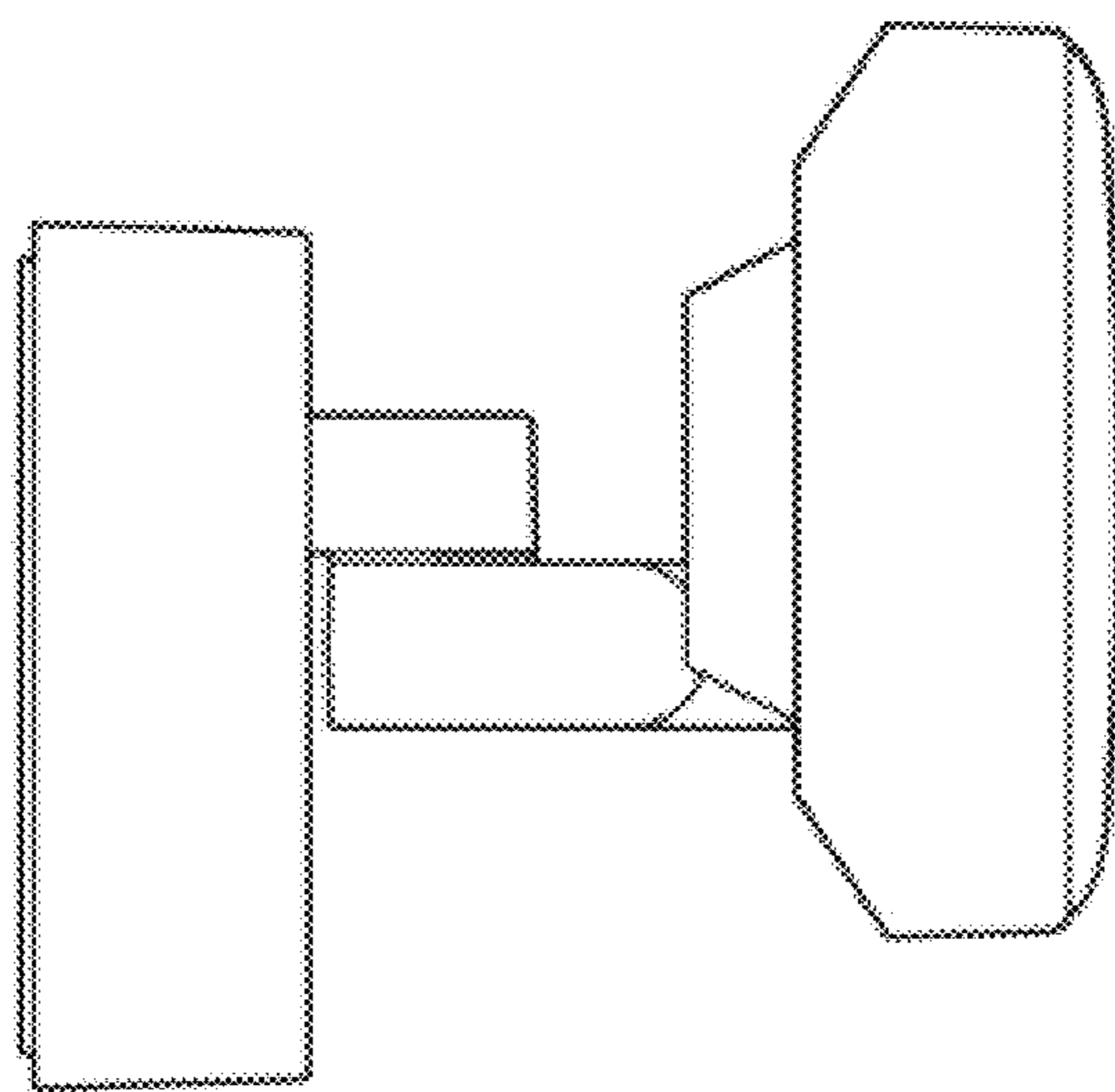


Fig. 4

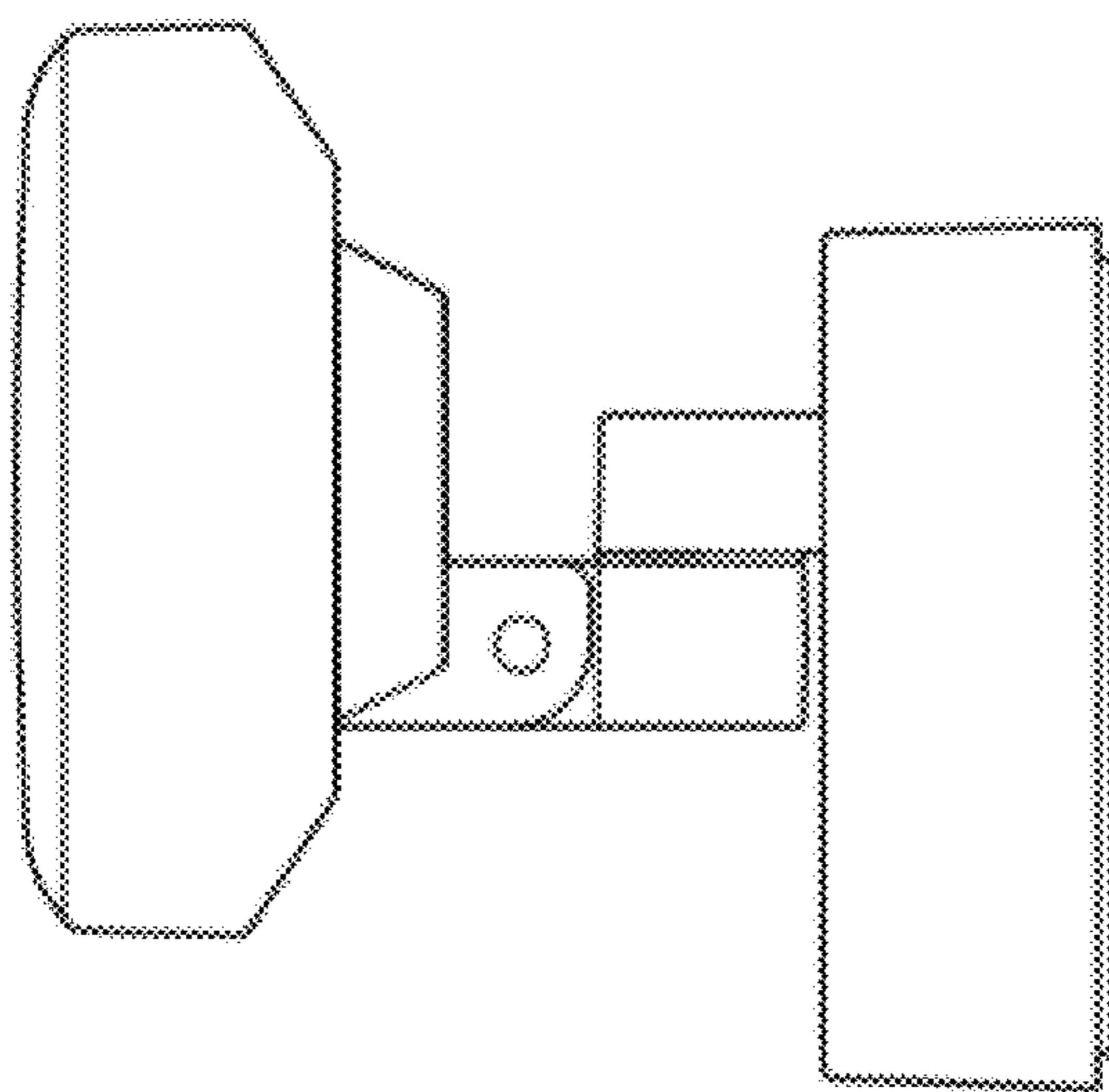


Fig. 5

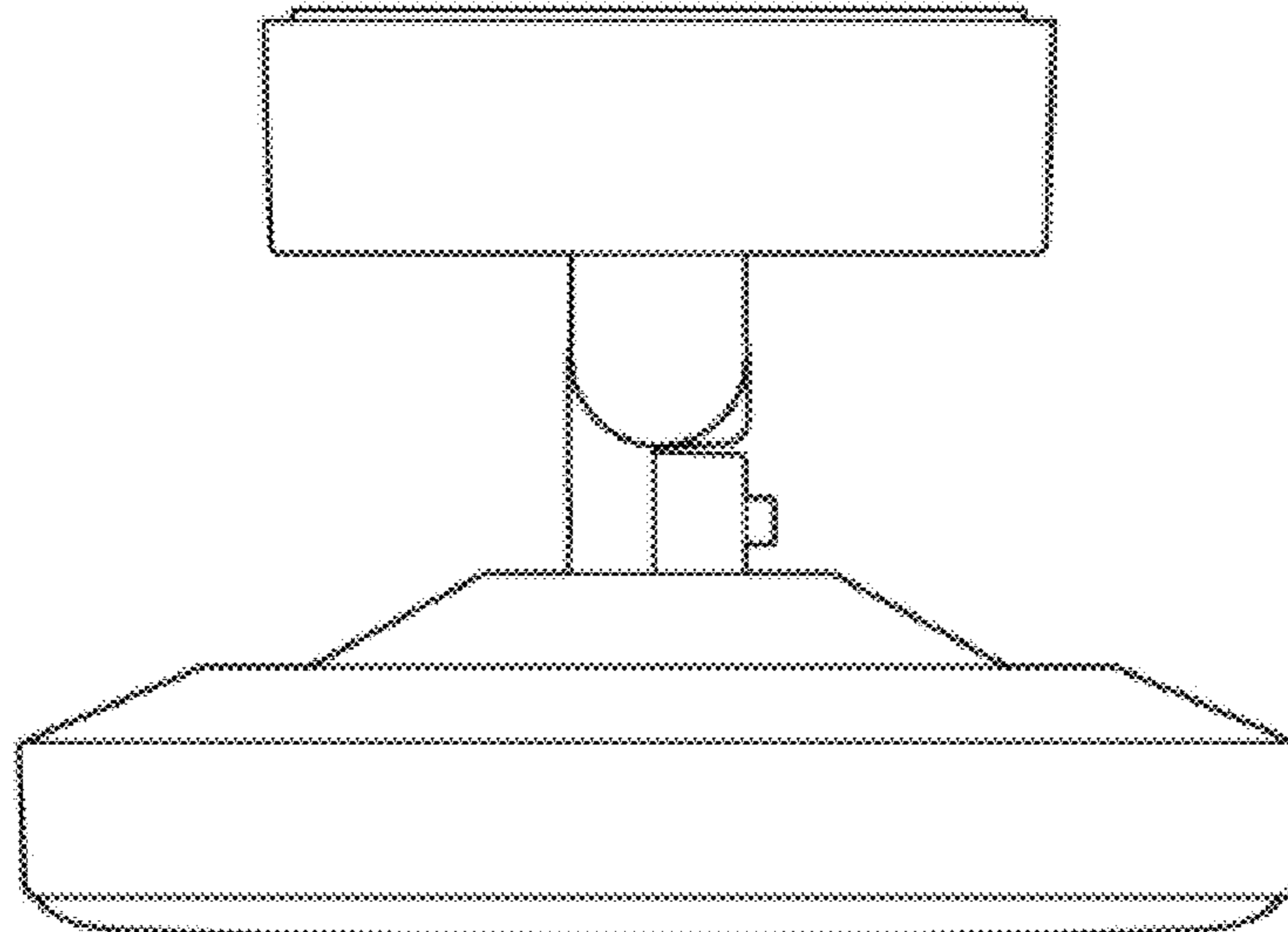


Fig. 6

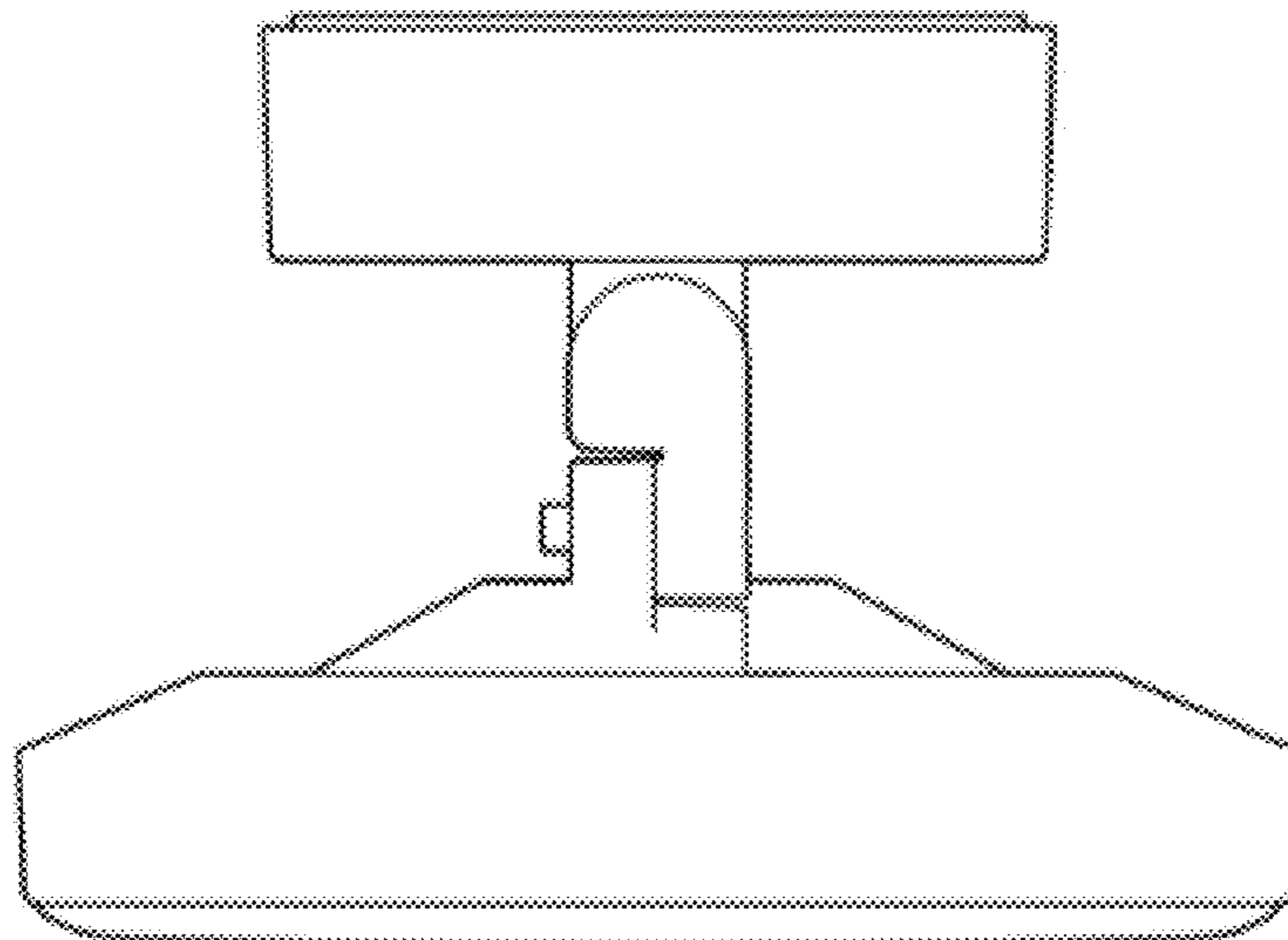


Fig. 7