



US00D910894S

(12) **United States Design Patent**
Dongdong et al.

(10) **Patent No.:** **US D910,894 S**

(45) **Date of Patent:** **** Feb. 16, 2021**

(54) **WORK LIGHT**

(71) Applicants: **Gao Dongdong**, Ningbo (CN); **Robert Vasquez**, Gilbert, AZ (US); **Brian Freeland**, Chandler, AZ (US)

(72) Inventors: **Gao Dongdong**, Ningbo (CN); **Robert Vasquez**, Gilbert, AZ (US); **Brian Freeland**, Chandler, AZ (US)

(**) Term: **15 Years**

(21) Appl. No.: **29/681,587**

(22) Filed: **Feb. 27, 2019**

(51) **LOC (13) Cl.** **26-02**

(52) **U.S. Cl.**
USPC **D26/50**

(58) **Field of Classification Search**
USPC D26/37, 40, 50, 72, 74-78, 85, 88-89,
D26/118, 138

CPC F21V 7/06; F21V 21/044; F21V 21/047;
F21V 21/14; F21V 21/30; F21V 21/00;
F21V 29/2212; F21V 15/04; F21V 15/01;
F21V 31/00; F21V 5/04; F21V 23/04;
F21V 14/02; F21V 14/00; F21L 4/08;
F21L 4/00; H02J 7/00; F21S 8/00; F21S
8/003; F21S 8/043

See application file for complete search history.

(56) **References Cited**

U.S. PATENT DOCUMENTS

D486,261 S	2/2004	Tsai
D736,444 S	8/2015	Boudewyns
D761,473 S	7/2016	Zhang et al.
D779,094 S	2/2017	Xu et al.
D779,097 S	2/2017	Xu et al.
D781,480 S	3/2017	Zhan
D796,718 S	9/2017	Zhou
D797,339 S	9/2017	Wang
D799,729 S	10/2017	Zhong
D802,196 S	11/2017	Devappa et al.

D808,560 S	1/2018	Devappa et al.	
D814,678 S	4/2018	Zhan	
D817,531 S	5/2018	Bao	
D834,232 S *	11/2018	Green	D26/65
D854,720 S *	7/2019	Deng	D26/63

(Continued)

OTHER PUBLICATIONS

homedepot.com: Ultra-Bright LED Work Light. Undated online product page. Retrieved on Dec. 14, 2020 from <https://www.homedepot.com/p/Ultra-Bright-LED-Work-Light-HBWL-MC12-4/314326507?source=shoppingads&locale=en-US> (Year: 2020).*

(Continued)

Primary Examiner — Sheryl Lane

Assistant Examiner — Stacey L Hopkins

(74) *Attorney, Agent, or Firm* — Legalforce RAPC Worldwide

(57) **CLAIM**

The ornamental design for a work light, as shown and described.

DESCRIPTION

FIG. 1 is a front left side perspective view for a work light, showing our new design;

FIG. 2 is a front elevational view of FIG. 1 thereof;

FIG. 3 is a rear elevational view of FIG. 1 thereof;

FIG. 4 is a left side perspective view of FIG. 1 thereof;

FIG. 5 is a right side perspective view of FIG. 1 thereof;

FIG. 6 is a top plan view of FIG. 1 thereof; and

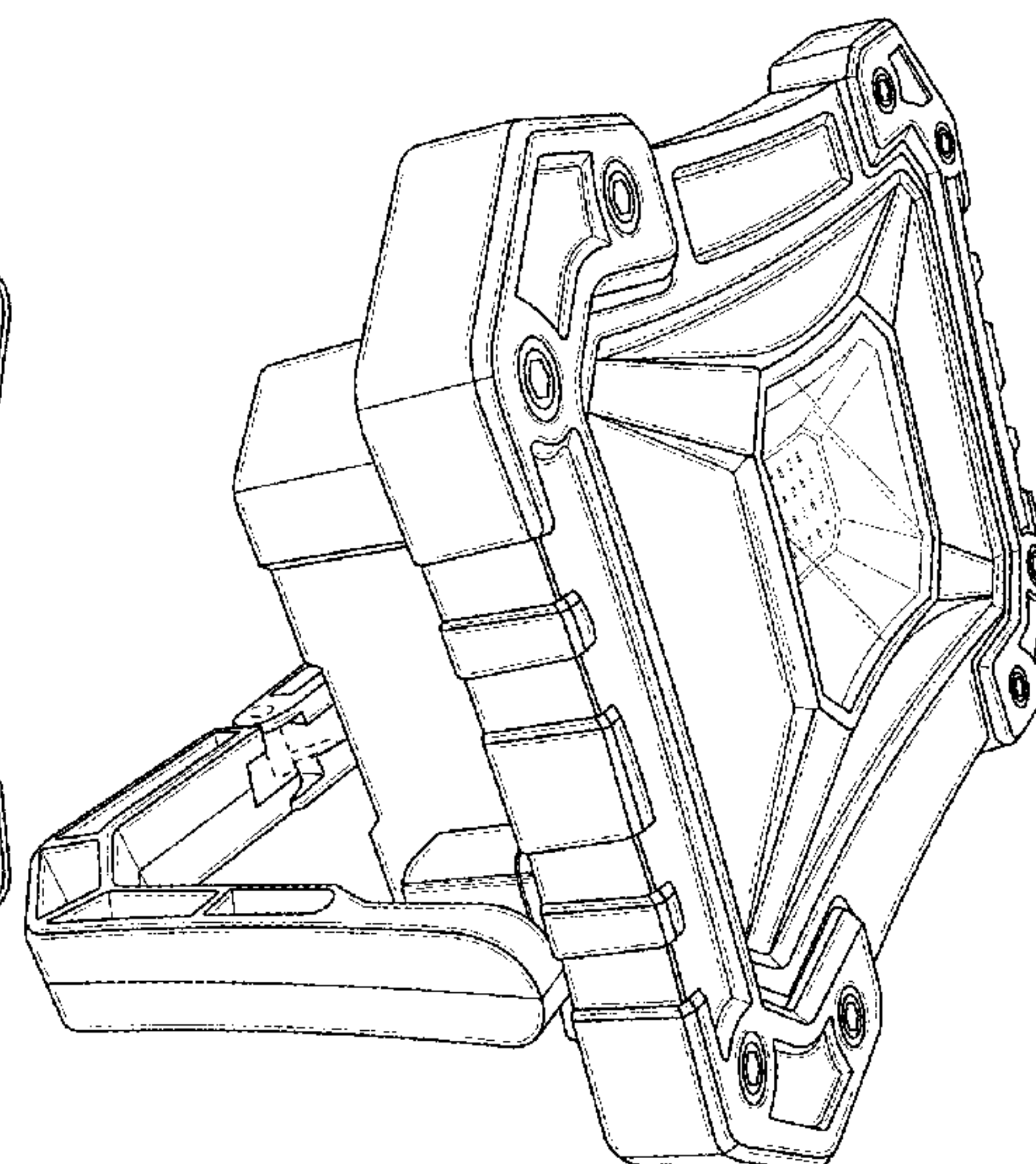
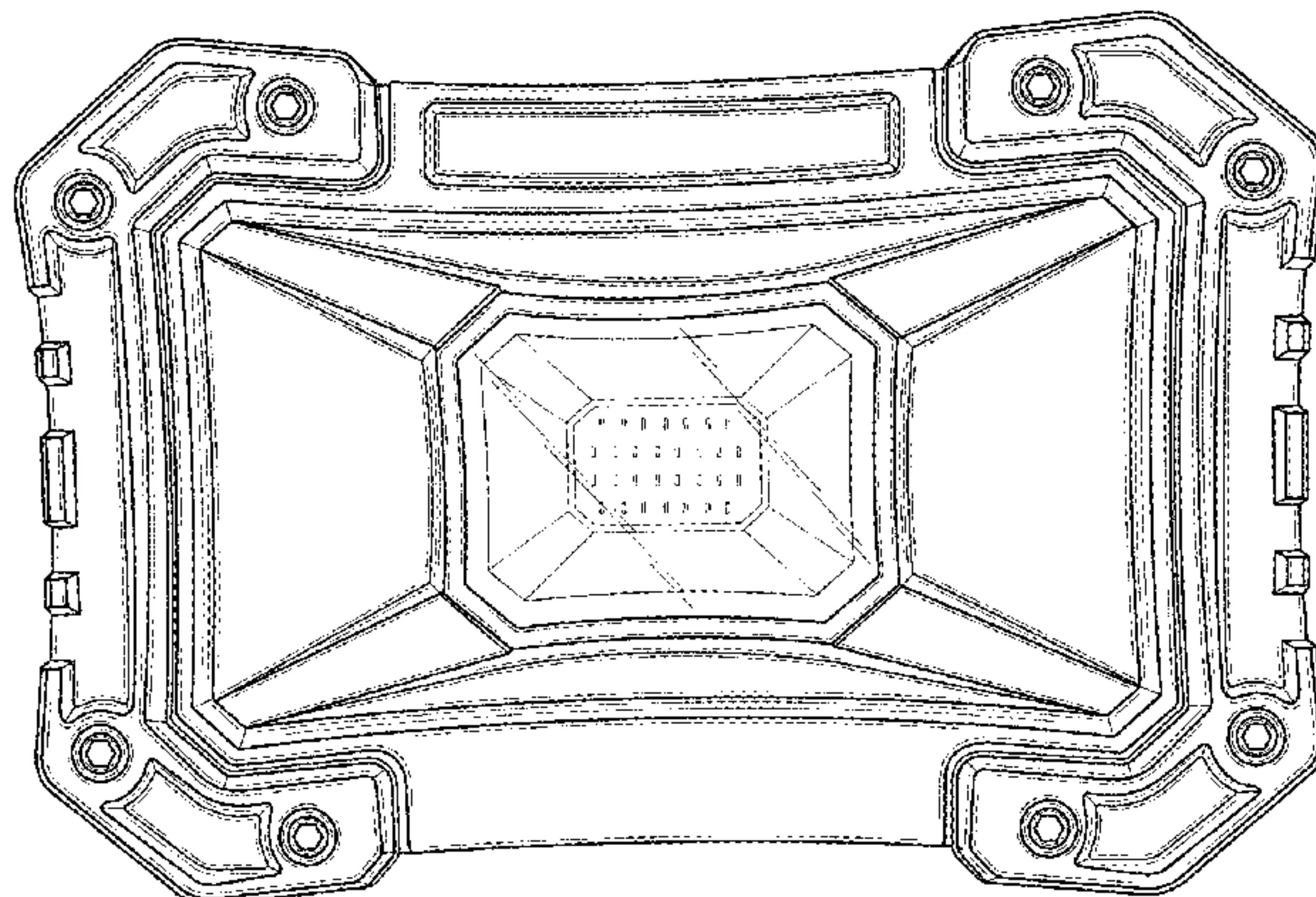
FIG. 7 is a bottom plan view of FIG. 1.

FIG. 8 is a front left side perspective view of FIG. 1 thereof, the handle is in a rotated position; and,

FIG. 9 is a rear bottom perspective view of FIG. 1 thereof, the handle is in a rotated position and the carabiner in an opened position.

The broken lines indicate unclaimed portions of the design and form no part of the claimed design.

1 Claim, 9 Drawing Sheets



(56)

References Cited

U.S. PATENT DOCUMENTS

D855,233	S	*	7/2019	Qiu	D26/74
D855,234	S	*	7/2019	Qiu	D26/74
D866,027	S	*	11/2019	Cacciabeve	D26/37
D875,284	S	*	2/2020	Cacciabeve	D26/37
D877,948	S	*	3/2020	Thompson	D26/37
D880,036	S	*	3/2020	Qiu	D26/63
D880,743	S	*	4/2020	Qiu	D26/63
D890,395	S	*	7/2020	Bertken	D26/37
D893,069	S	*	8/2020	Bertken	D26/37
D903,175	S	*	11/2020	Lei	D26/63
2017/0108197	A1	*	4/2017	Cacciabeve	F21V 15/04
2019/0353332	A1	*	11/2019	You	F21V 23/0414

OTHER PUBLICATIONS

amazon.com: Sunzone LED Work Light. Date uploaded Mar. 30, 2020 [site visited Dec. 14, 2020]. Retrieved from internet, <<https://www.amazon.com/Rechargeable-Magnetic-Waterproof-Repairing-Emergency/dp/B086L5W61T/ref=. . .>> (Year: 2020).*

US Trademark Registration No. 85425045; Mark—Blacklight Master Filing date: Sep. 16, 2011 Publication date: Sep. 4, 2012.

US Trademark Registration No. 85425062; Mark—Blazing Voltz Filing date: Sep. 16, 2011 Publication date: Feb. 21, 2012.

US Trademark Registration No. 85424691; Mark—Blazing LEDZ Filing date: Sep. 16, 2011 Publication date: Mar. 6, 2012.

US Trademark Registration No. 85243364; Mark—Magic Seasons Filing date: Sep. 16, 2011.

US Trademark Registration No. 85243364; Mark—Scorpion Master Filing date: Feb. 16, 2011 Publication date: Jun. 28, 2011.

“10W Rechargeable COB LED Work Light Heavy Duty”, by Bonashi, Found Online on [Feb. 12, 2019] https://images-na.ssl-images-amazon.com/images/I/71yaiTPB0RL._SL1001_.jpg.

“Battery powered Led floodlight 50w” by MHC Events Ltd, Found Online on [Feb. 12, 2019] <https://mhcevents.co.uk/wp-content/uploads/2017/07/battery-led.jpg>.

“Portable LED Work Light (30W)—L002661”, by Shopro, Found Online on [Feb. 12, 2019] <https://www.blackrocktools.com/media/catalog/product/cache/1/image/9df78eab33525d08d6e5fb8d27136e95/1/0/1002661.jpg>.

“Slimline Portable LED Outdoor Worklight”, by Superior Lighting, Found Online on [Feb. 12, 2019] https://cdn11.bigcommerce.com/s-phjrc3z910/images/stencil/1280x1280/products/9721/14757/OUTDOOR-LED-WORKLIGHT-2_88877.1530554480.jpg?c=2.

* cited by examiner

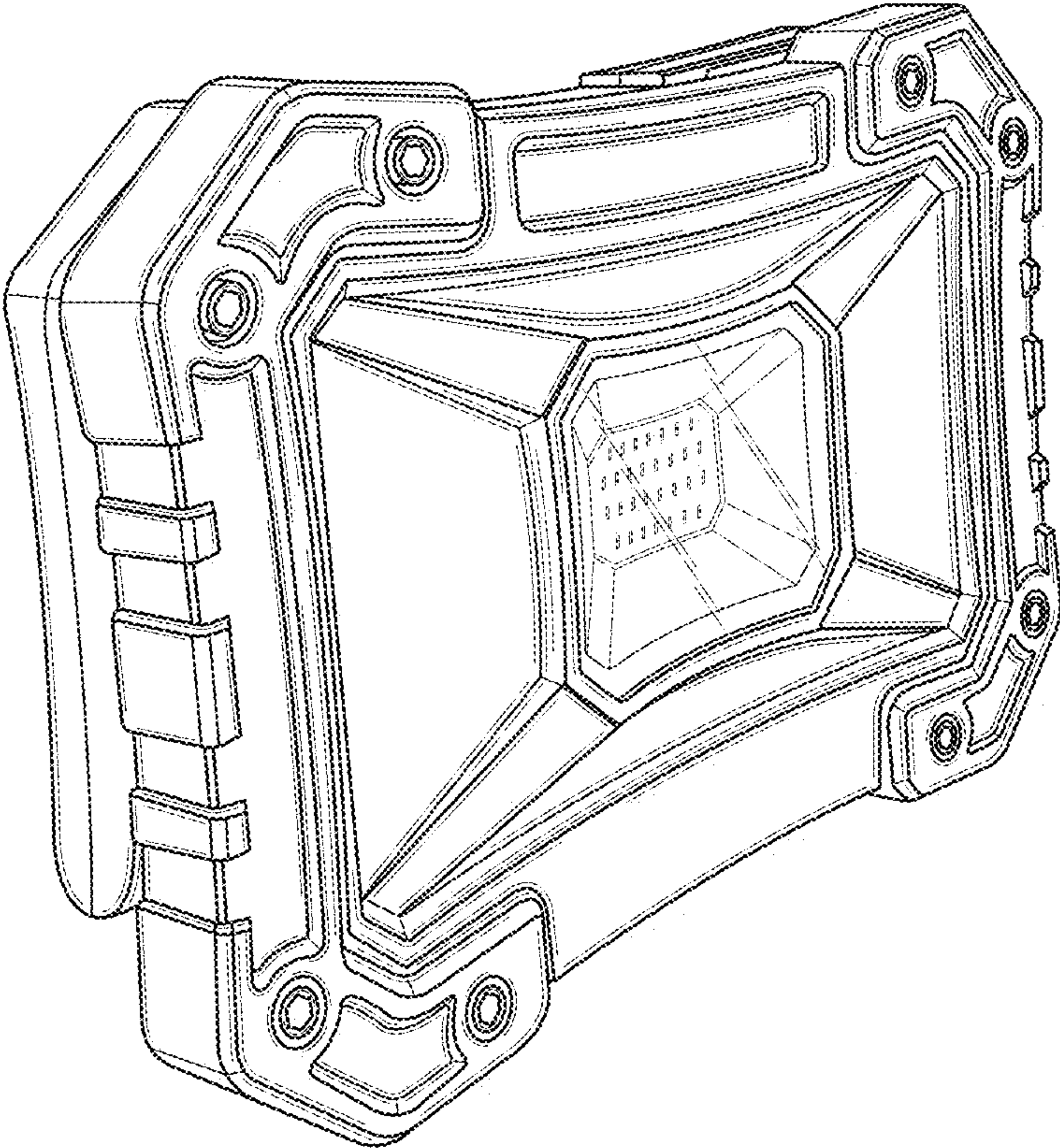


FIG. 1

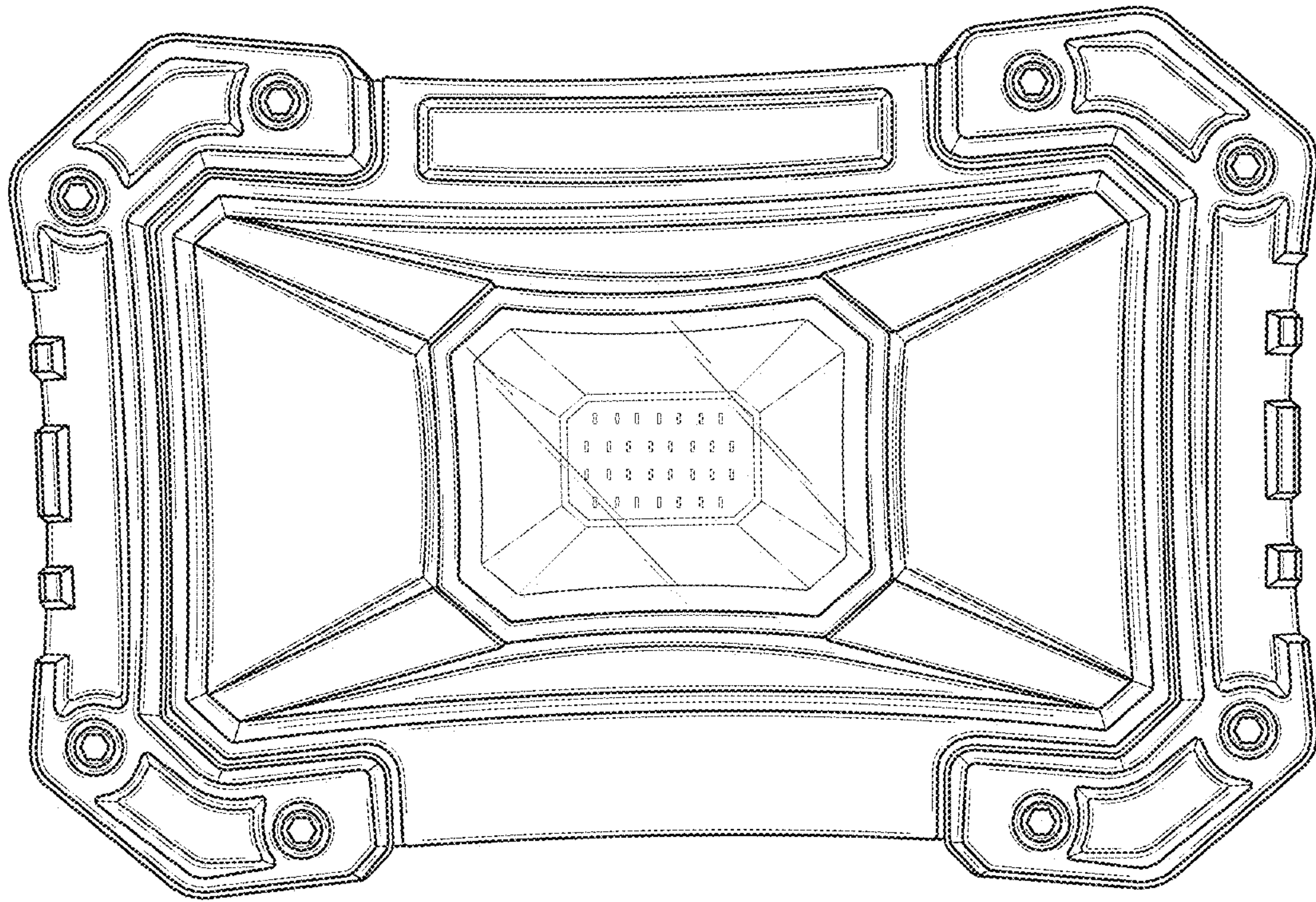


FIG. 2

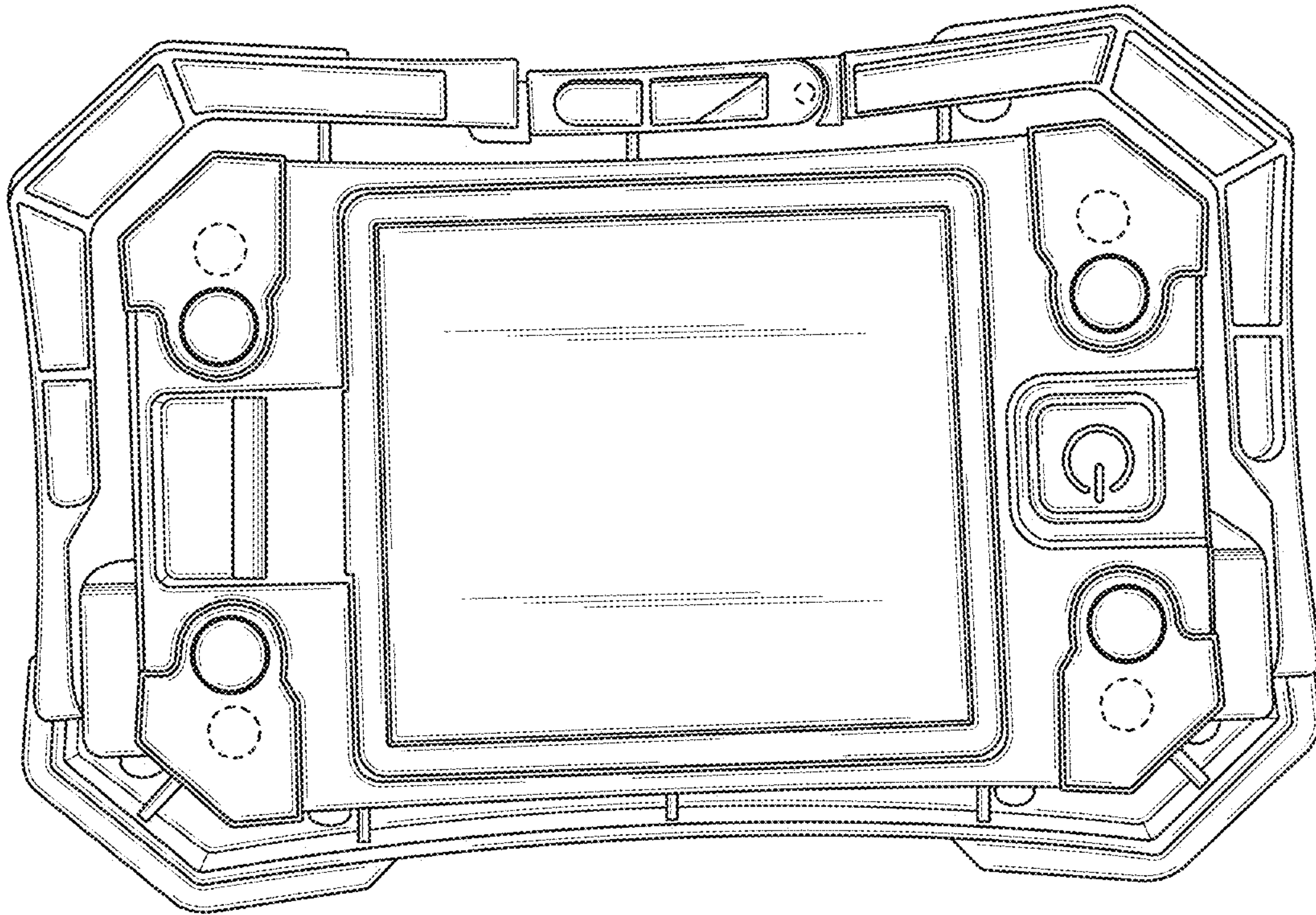


FIG. 3

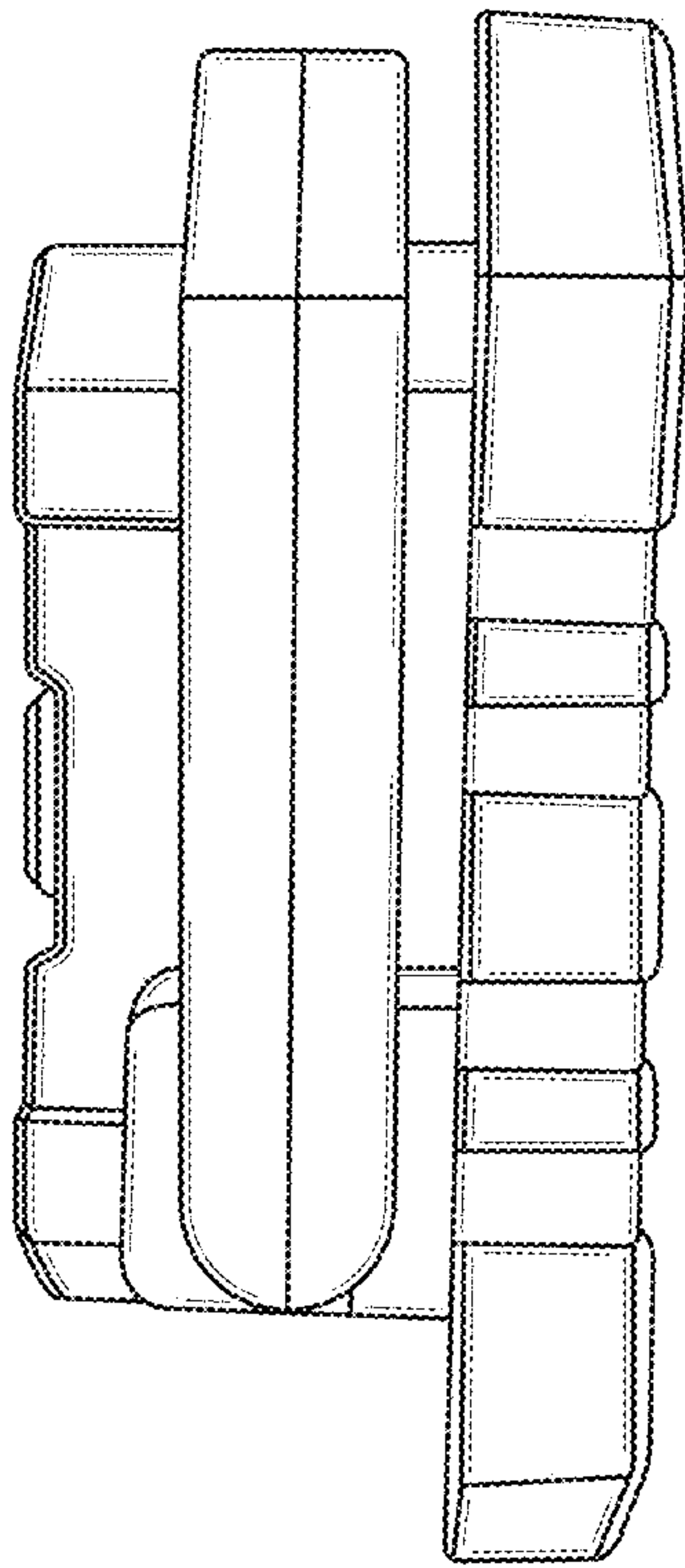


FIG. 4

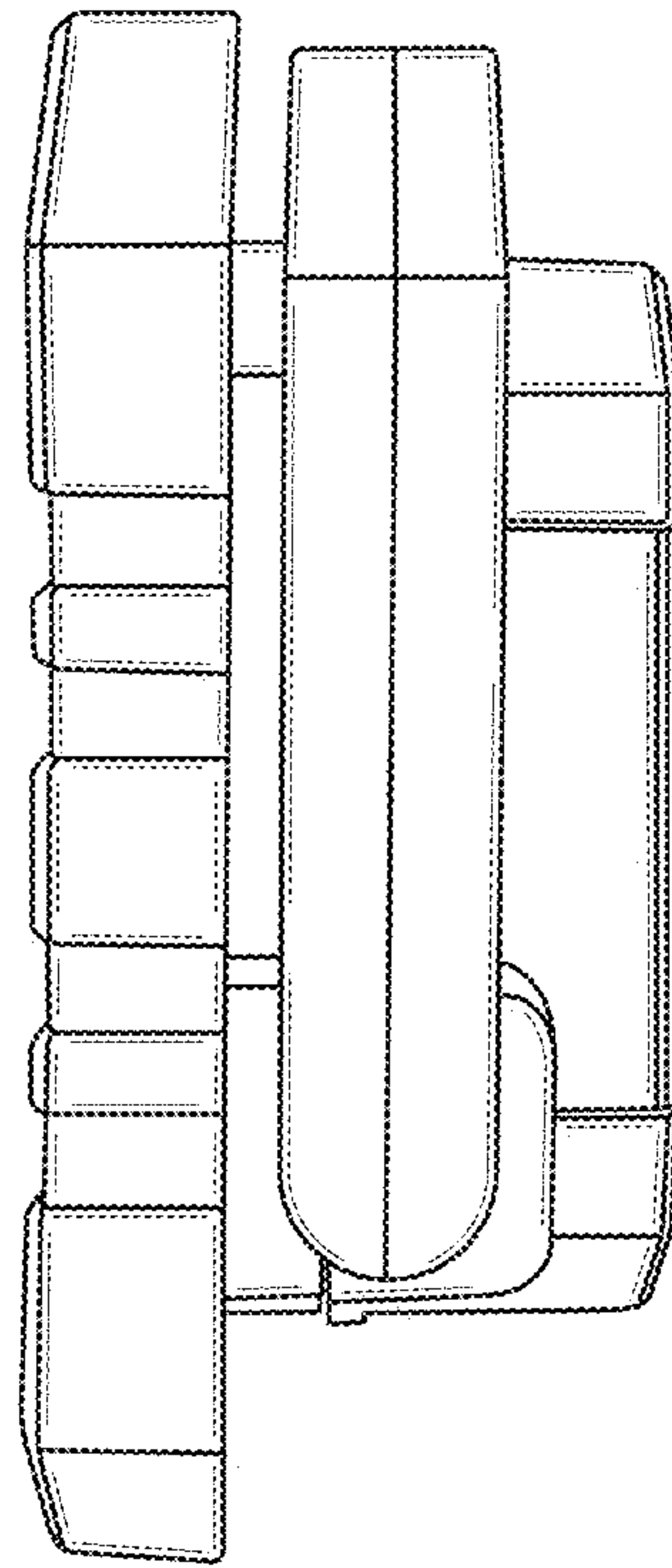


FIG. 5

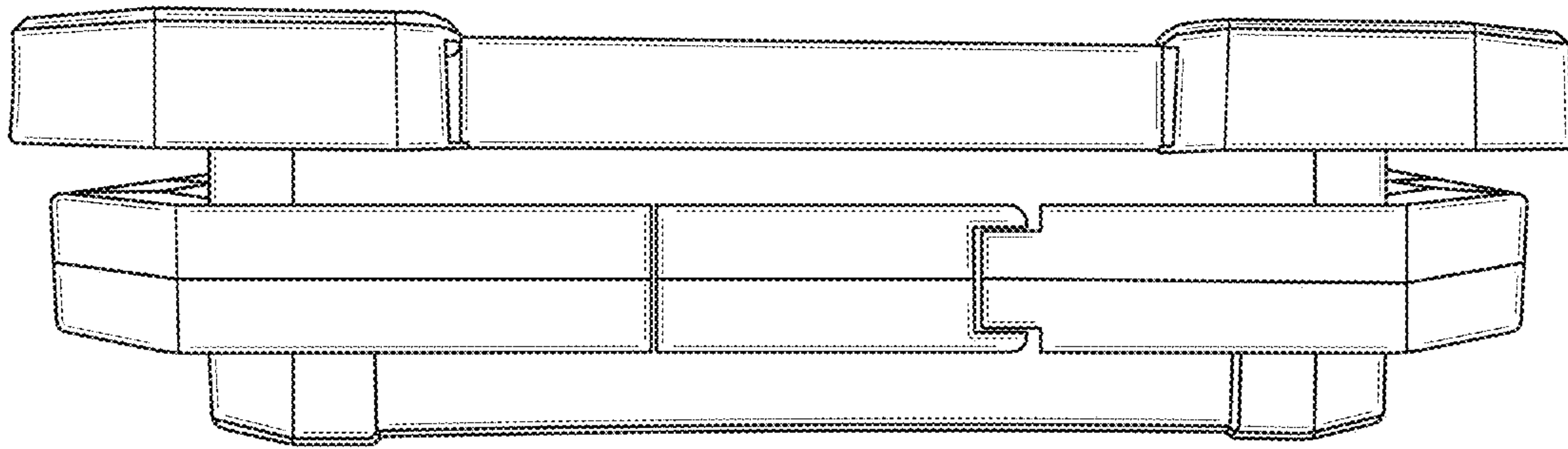


FIG. 6

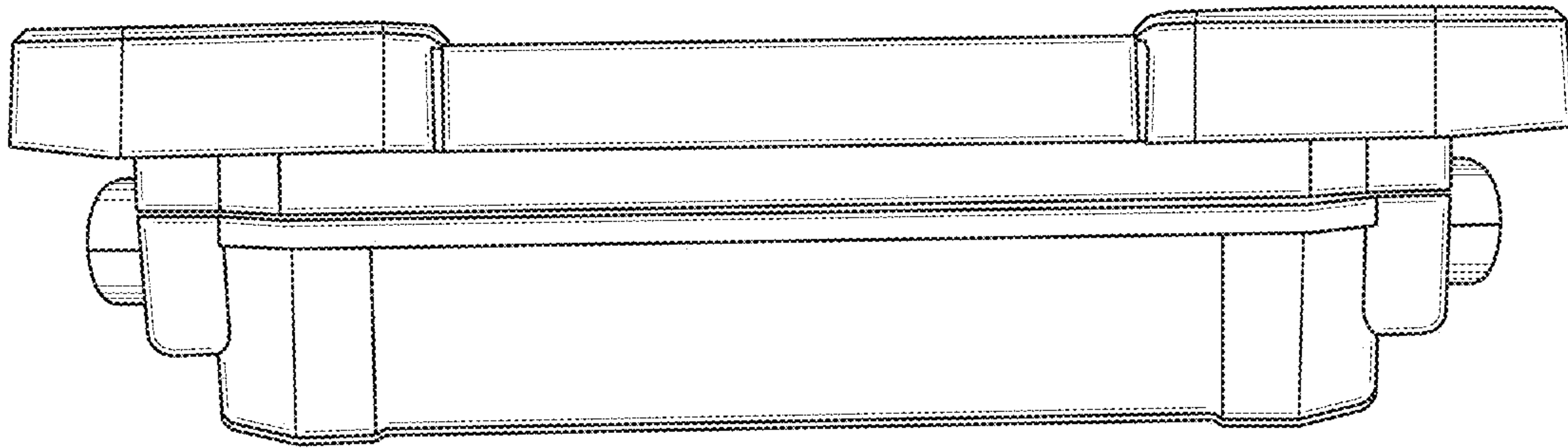


FIG. 7

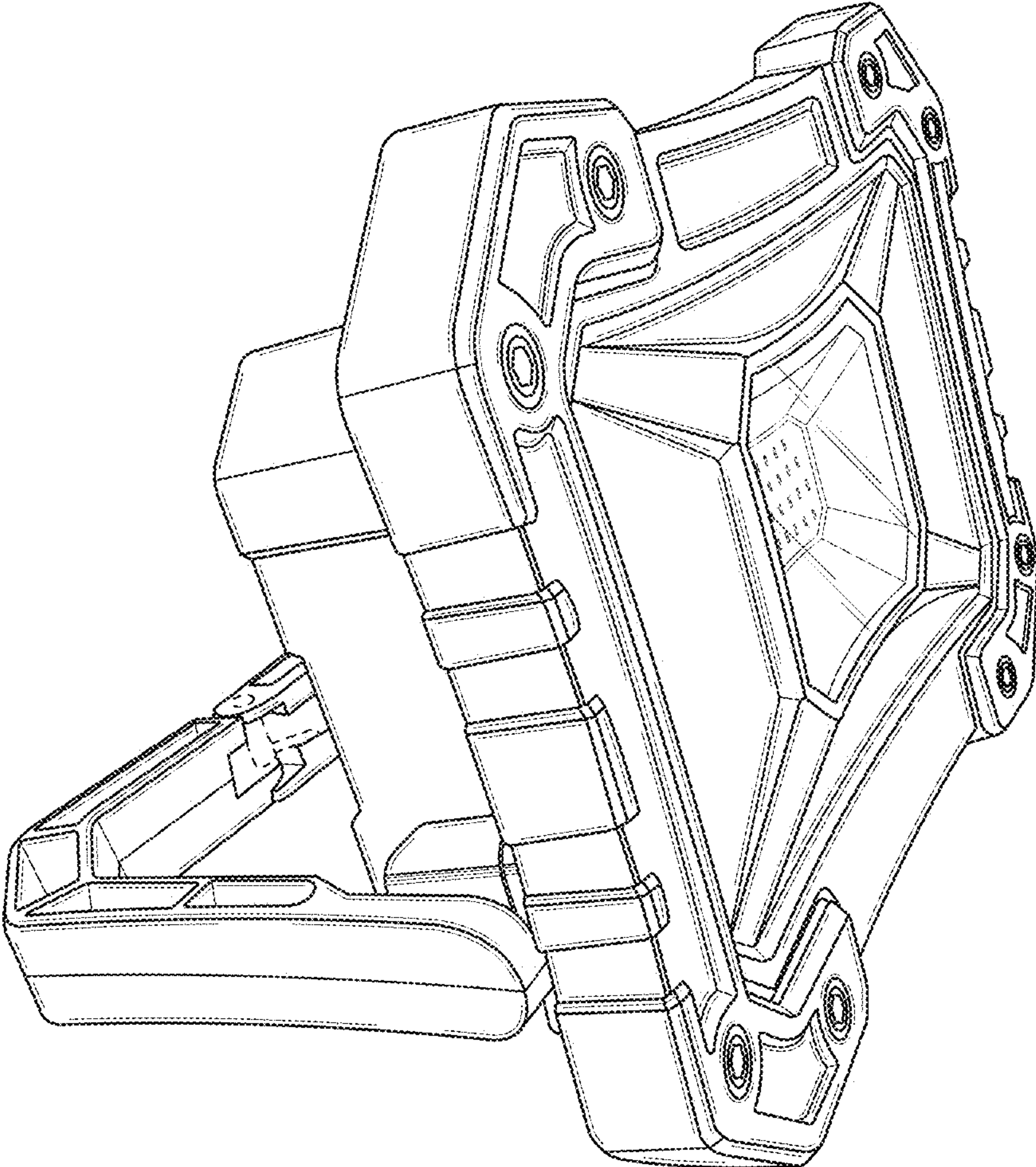


FIG. 8

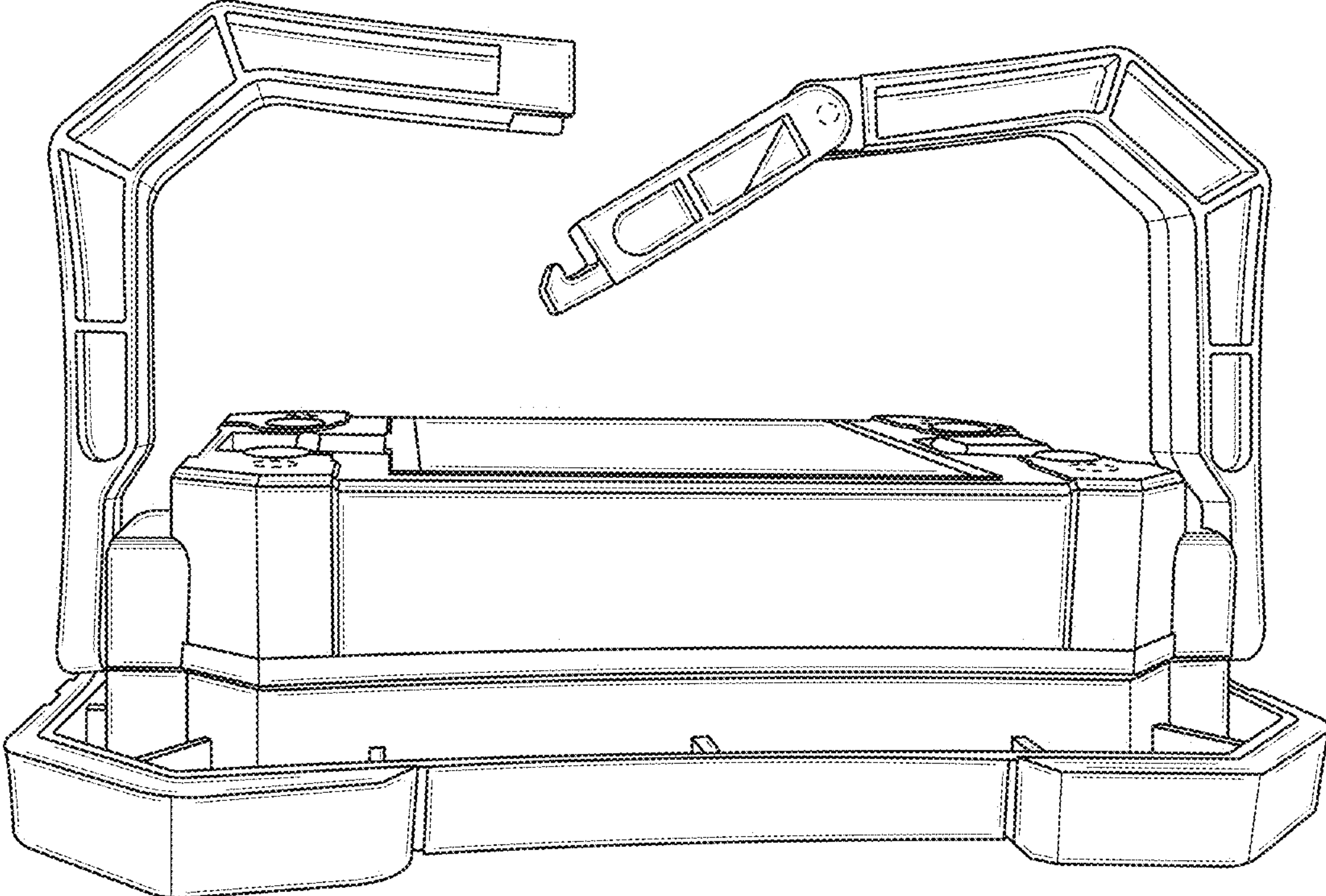


FIG. 9