



US00D910889S

(12) **United States Design Patent**
Zhou

(10) **Patent No.:** **US D910,889 S**

(45) **Date of Patent:** **** Feb. 16, 2021**

(54) **LED LIGHT**

(71) Applicant: **LINHAI FUNIAO LIGHTING CO., LTD.**, Taizhou (CN)

(72) Inventor: **Zhenbin Zhou**, Taizhou (CN)

(73) Assignee: **LINHAI FUNIAO LIGHTING CO., LTD.**, Taizhou (CN)

(**) Term: **15 Years**

(21) Appl. No.: **29/745,126**

(22) Filed: **Aug. 4, 2020**

(51) **LOC (13) Cl.** **26-03**

(52) **U.S. Cl.**
USPC **D26/25**

(58) **Field of Classification Search**
USPC D26/25
CPC F21W 2121/04; F21S 4/00; F21S 4/001;
F21S 4/002; F21S 4/003
See application file for complete search history.

(56) **References Cited**

U.S. PATENT DOCUMENTS

D287,769	S	*	1/1987	Davis	D26/25
5,813,747	A	*	9/1998	Kale	A47G 33/0836 362/123
6,123,063	A	*	9/2000	Boerjes	F02P 3/0435 123/598
6,139,168	A	*	10/2000	Gary	A47G 33/06 362/122
6,379,021	B1	*	4/2002	Shieh	A47G 33/06 362/123

D498,171	S		11/2004	Webster		
D748,299	S	*	1/2016	Tunno	D26/25
9,523,486	B2	*	12/2016	Boyink	F21V 23/02
D778,468	S		2/2017	van der Lande		
D793,900	S	*	8/2017	de Los Rios-Urban	D26/25
D880,022	S	*	3/2020	Gong	D26/25
D889,696	S	*	7/2020	Cao	D26/25
D906,162		*	12/2020	Zhou	D26/25

* cited by examiner

Primary Examiner — Brian N. Vinson

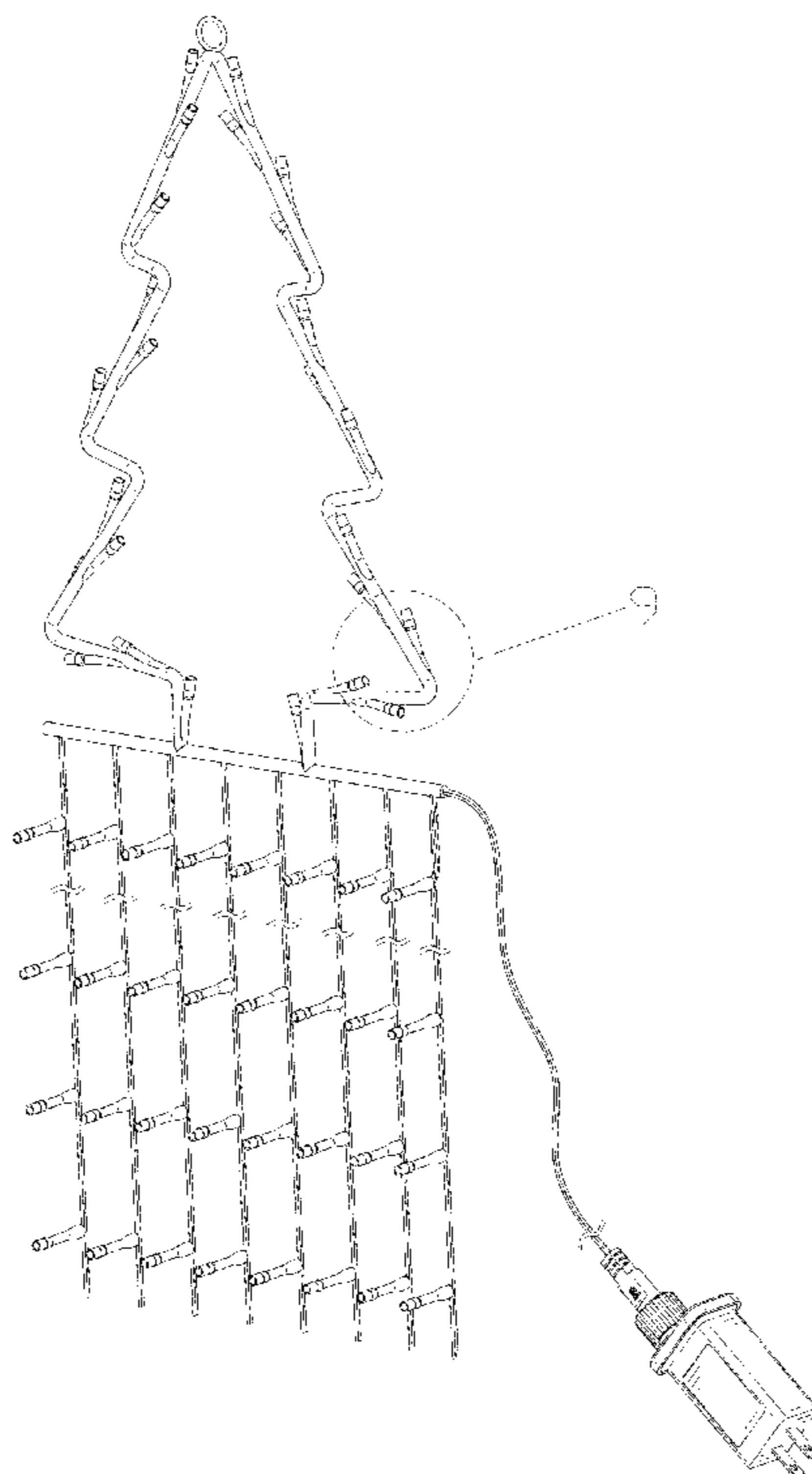
(57) **CLAIM**

The ornamental design for an LED light, as shown and described.

DESCRIPTION

FIG. 1 is a perspective view of an LED light showing my new design;
 FIG. 2 is another perspective view thereof;
 FIG. 3 is a front elevational view thereof;
 FIG. 4 is a rear elevational view thereof;
 FIG. 5 is a left side elevational view thereof;
 FIG. 6 is a right side elevational view thereof;
 FIG. 7 is a top plan view thereof;
 FIG. 8 is a bottom plan view thereof; and,
 FIG. 9 is an enlarged view of portion 9 shown in FIG. 1.
 The LED light is shown with a symbolic break in its length and the appearance of any portion of the LED light between the break lines form no part of the claimed design. The broken lines in the drawings depict portions of the LED light that form no part of the claimed design.

1 Claim, 9 Drawing Sheets



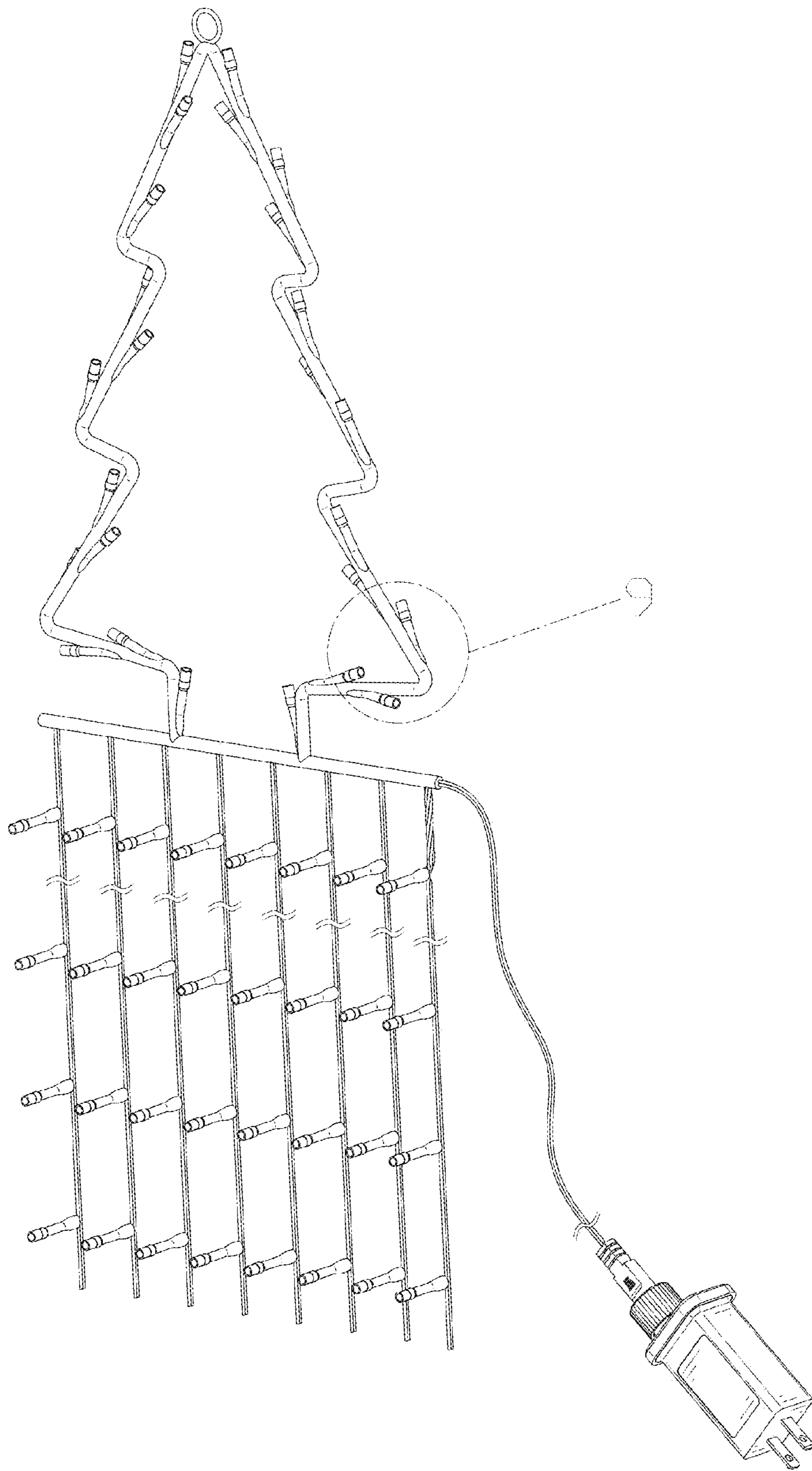


FIG. 1

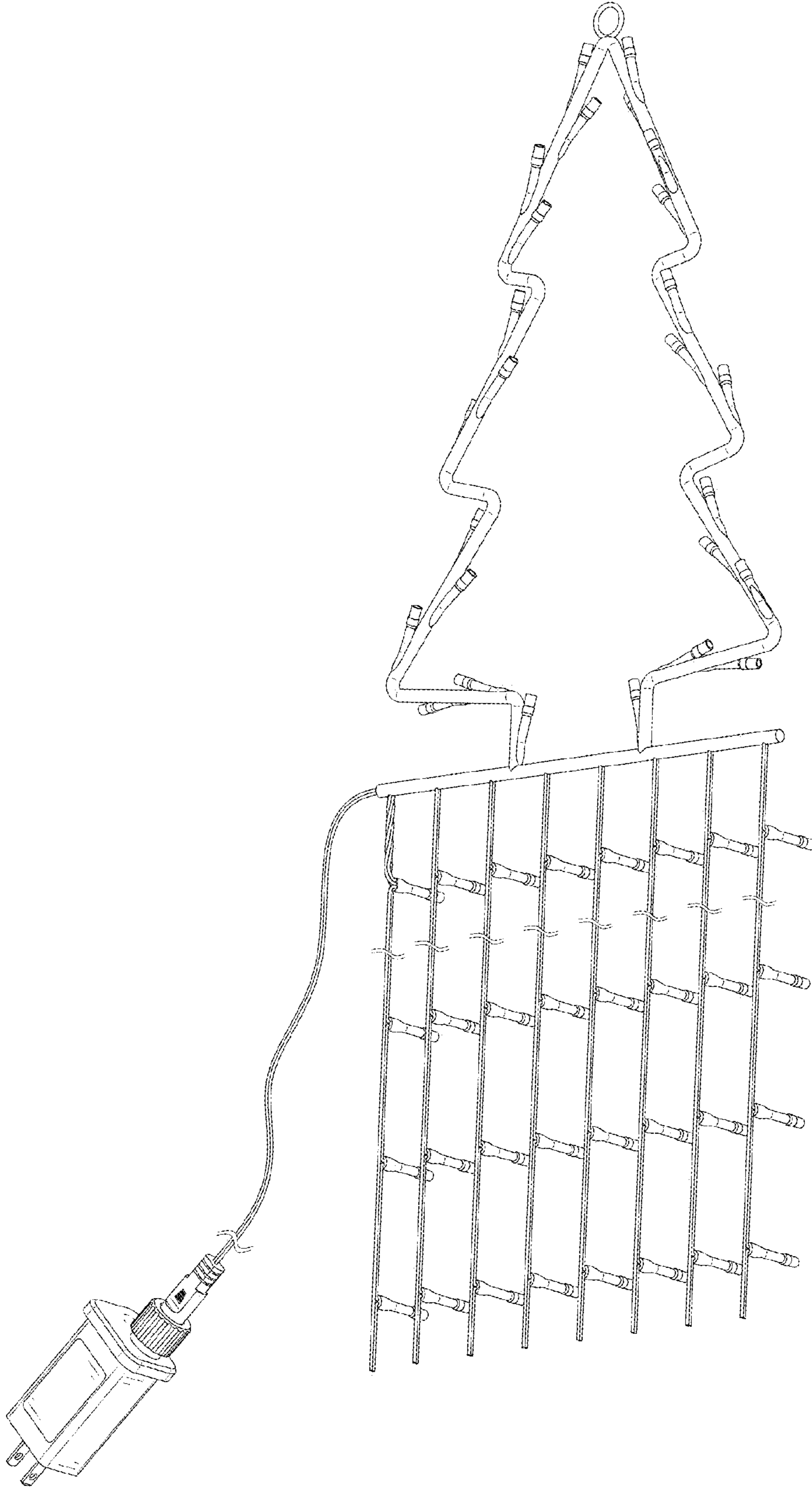


FIG. 2

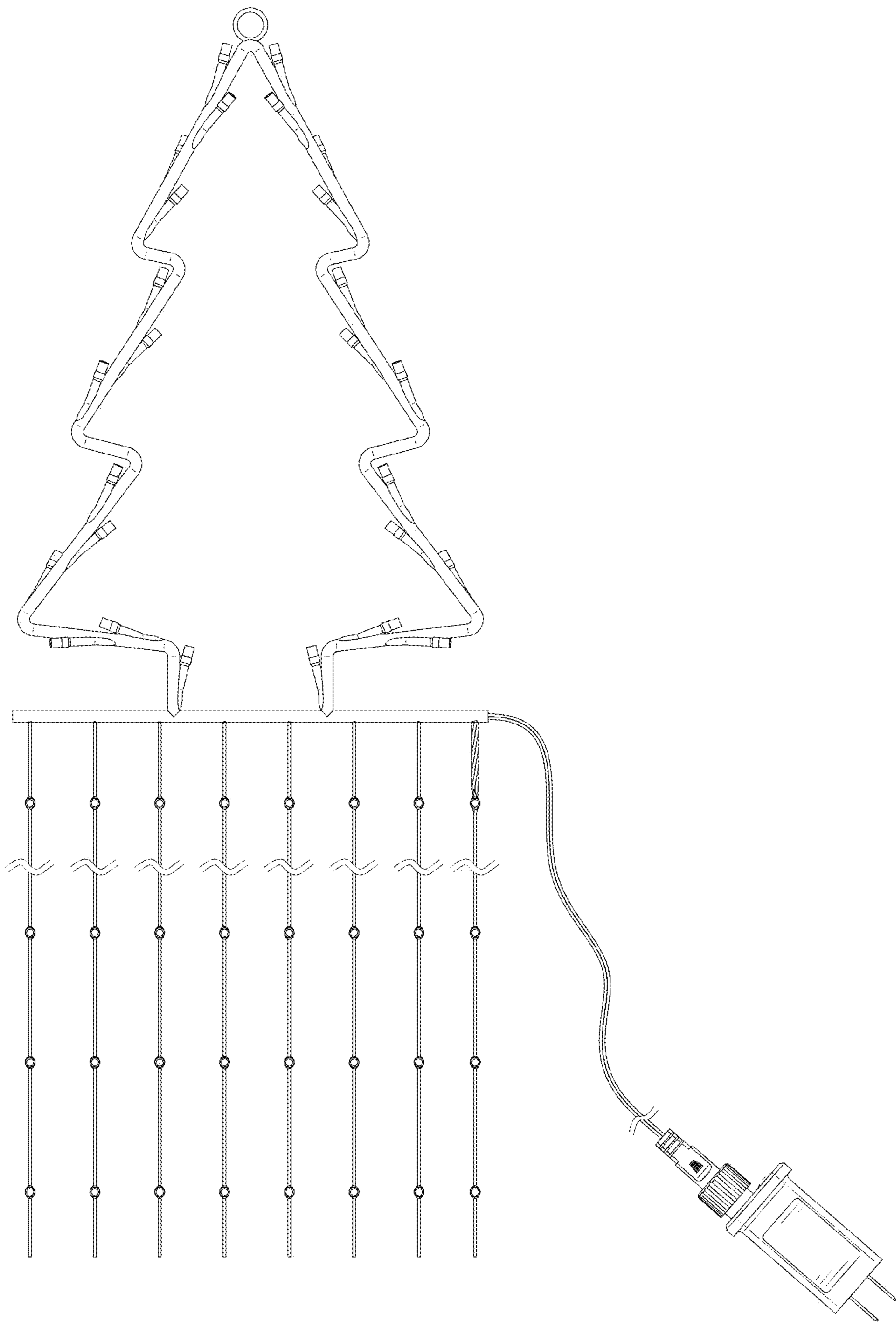


FIG. 3

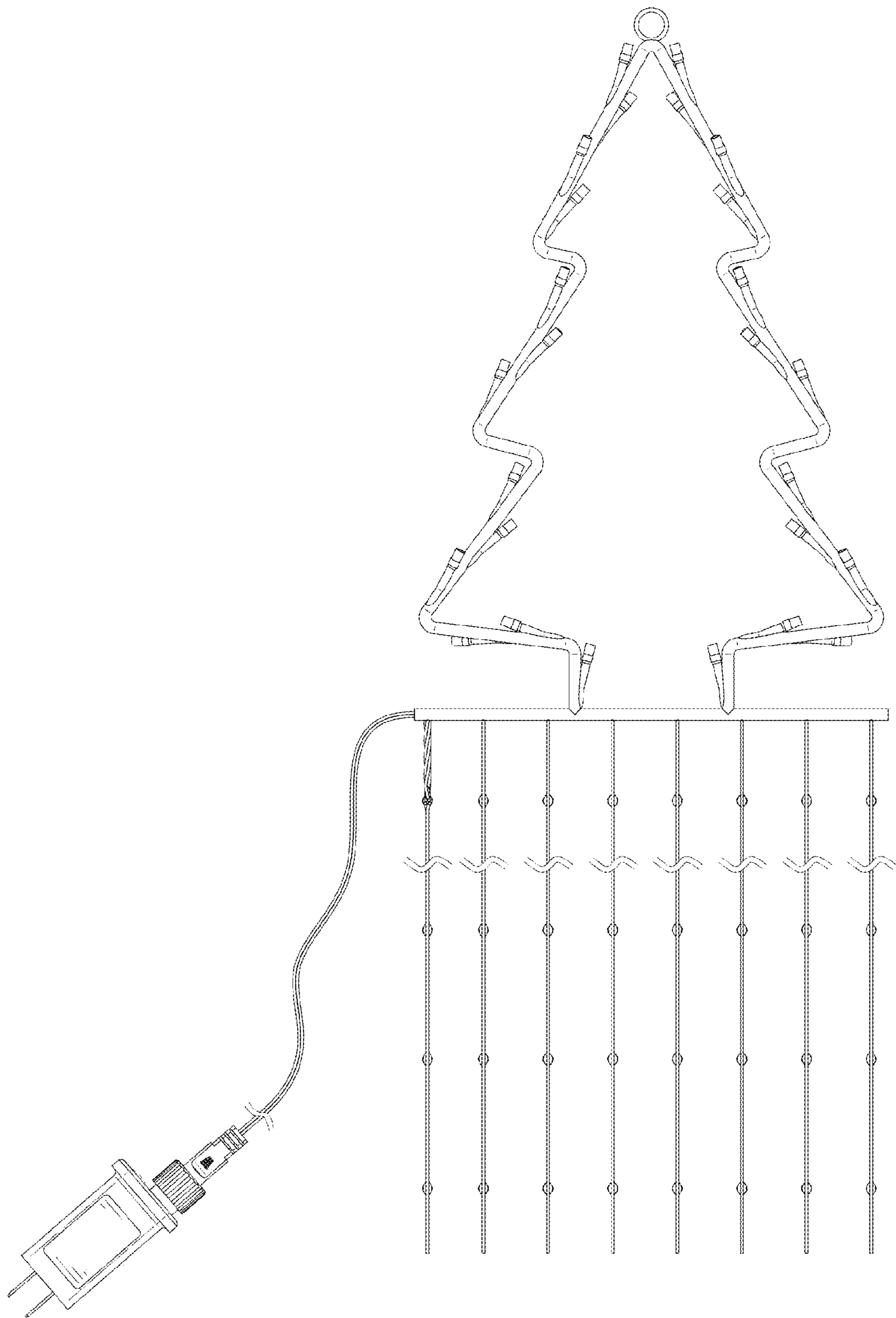


FIG. 4

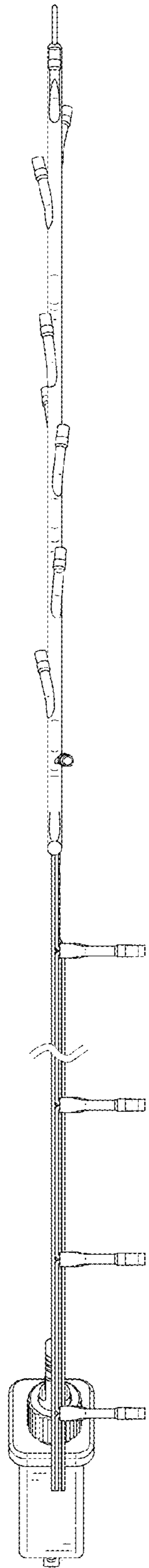


FIG. 5

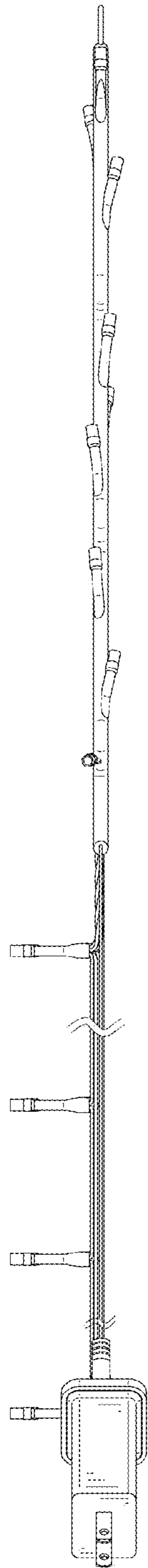


FIG. 6

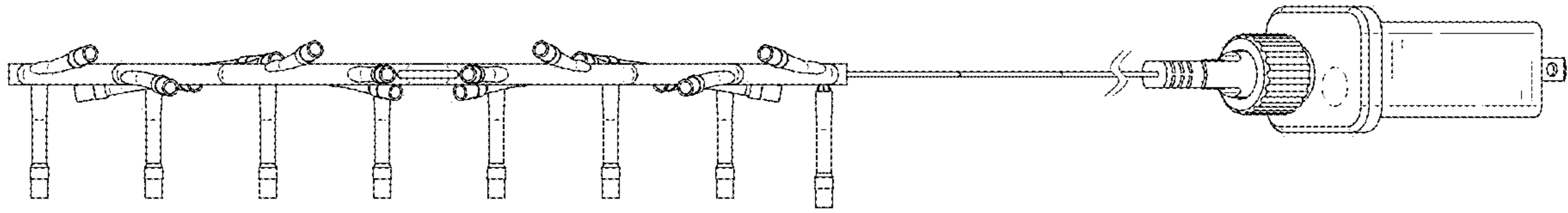


FIG. 7

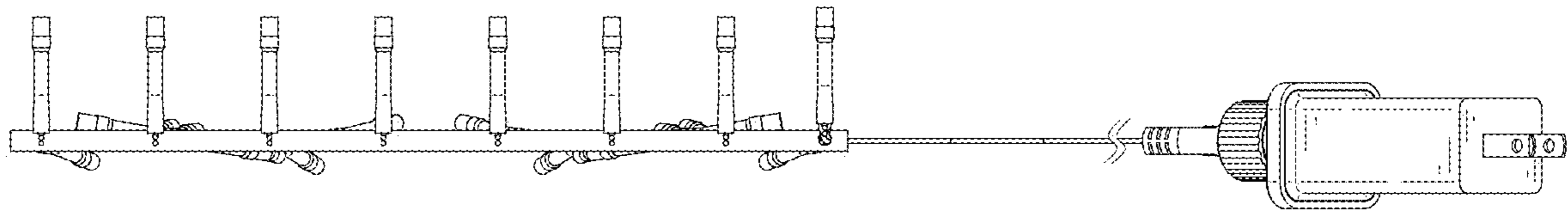


FIG. 8

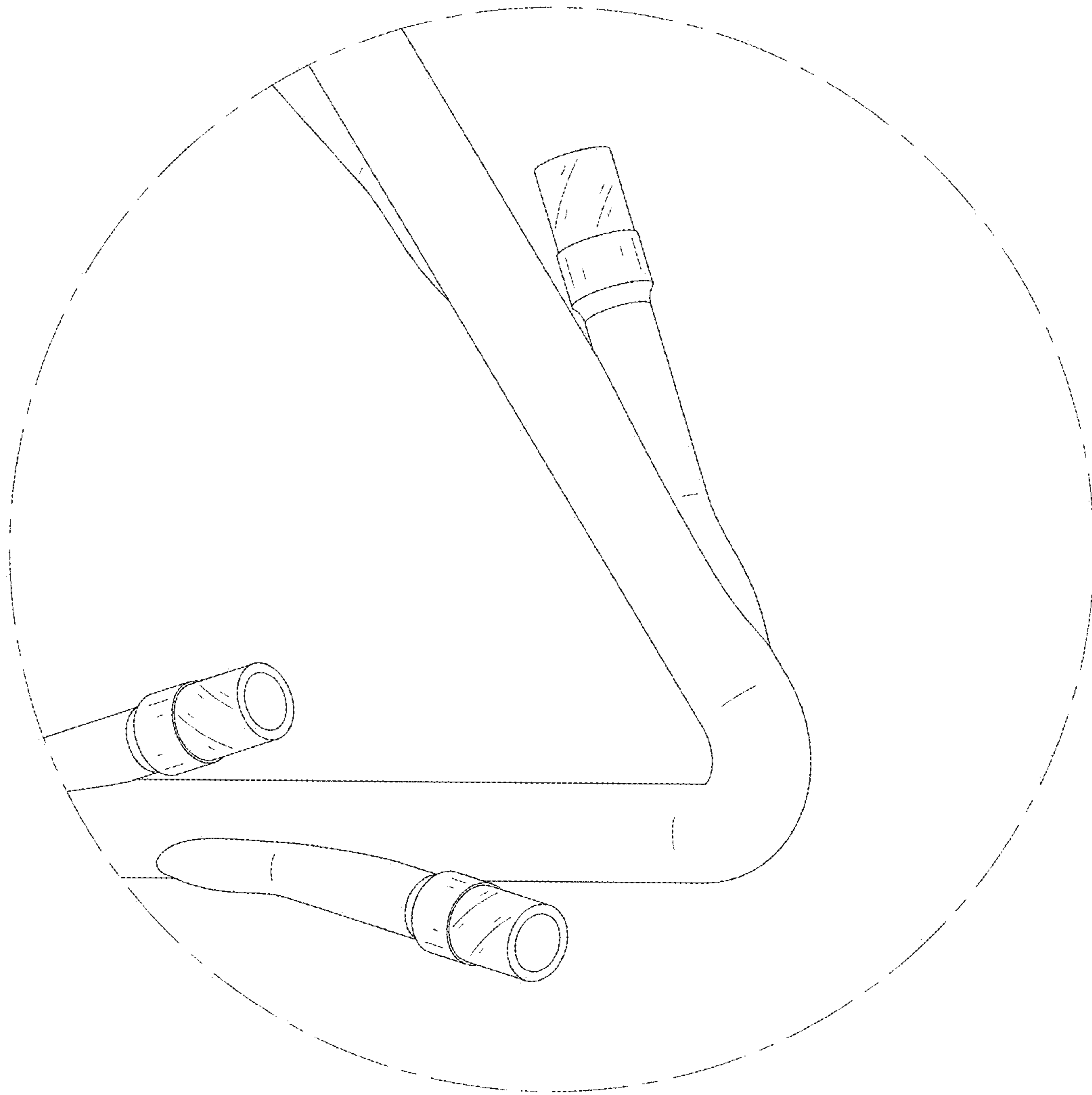


FIG. 9