



US00D910887S

(12) **United States Design Patent** (10) **Patent No.:** **US D910,887 S**  
**Singh** (45) **Date of Patent:** **\*\* Feb. 16, 2021**

(54) **LIGHT BULB**

D651,327 S \* 12/2011 Hsiao ..... D26/2  
D696,437 S 12/2013 Webb et al.  
D771,845 S 11/2016 Chen et al.

(71) Applicant: **Ekamdeep Singh**, Indianapolis, IN  
(US)

(72) Inventor: **Ekamdeep Singh**, Indianapolis, IN  
(US)

(\*\*) Term: **15 Years**

(21) Appl. No.: **29/715,421**

(22) Filed: **Dec. 2, 2019**

(51) **LOC (13) Cl.** ..... **26-04**

(52) **U.S. Cl.**

USPC ..... **D26/2**

(58) **Field of Classification Search**

USPC ..... D26/1-10

CPC ..... H01R 5/00; H01R 13/46; H01R 13/514;

H01R 31/048; H01R 31/02; H01J 5/00;

H01J 5/16; H01J 1/02; H01J 15/00; H01J

5/48; H01J 5/50; H01J 19/54; F21V 5/00;

F21K 9/00; F21K 13/00

See application file for complete search history.

(56) **References Cited**

**U.S. PATENT DOCUMENTS**

D553,267 S \* 10/2007 Yuen ..... D26/2  
D590,523 S \* 4/2009 Takahashi ..... D26/2  
D600,368 S \* 9/2009 Bertram ..... D26/2  
D605,786 S \* 12/2009 Lim ..... D26/2  
D619,739 S \* 7/2010 Hofmann ..... D26/2  
D628,321 S \* 11/2010 Yoshinobu ..... D26/2  
D645,996 S 9/2011 Wey et al.  
D648,461 S \* 11/2011 Kim ..... D26/2

**OTHER PUBLICATIONS**

Sunyang Group Co., 10W G12 LED Spotlight, retrieved Nov. 23, 2019 <https://www.ecvv.com/product/4553499.html>; 3 pgs.

Philips MasterColour CDM-T, MASTERColour CDM-T 70W/830 G12 1CT/12; Datasheet, Nov. 11, 2019; 4 pgs.

Philips Lighting MasterColor CDM-TM Elite Mini 20W/830 GU6. 5.1 CT; Datasheet, Jul. 23, 2018; 3 pgs.

Philips MasterColour CDM-TC 35W/830 G8.5 1 CT/12; Datasheet, Oct. 8, 2019, 4 pgs.

\* cited by examiner

*Primary Examiner* — Marcus A Jackson

(74) *Attorney, Agent, or Firm* — Faegre Drinker Biddle & Reath LLP

(57) **CLAIM**

The ornamental design for a light bulb, as shown and described.

**DESCRIPTION**

FIG. 1 is a perspective view of a light bulb showing my new design in a first embodiment;

FIG. 2 is a first side elevational view thereof;

FIG. 3 is a second side elevational view thereof;

FIG. 4 is a third side elevational view thereof;

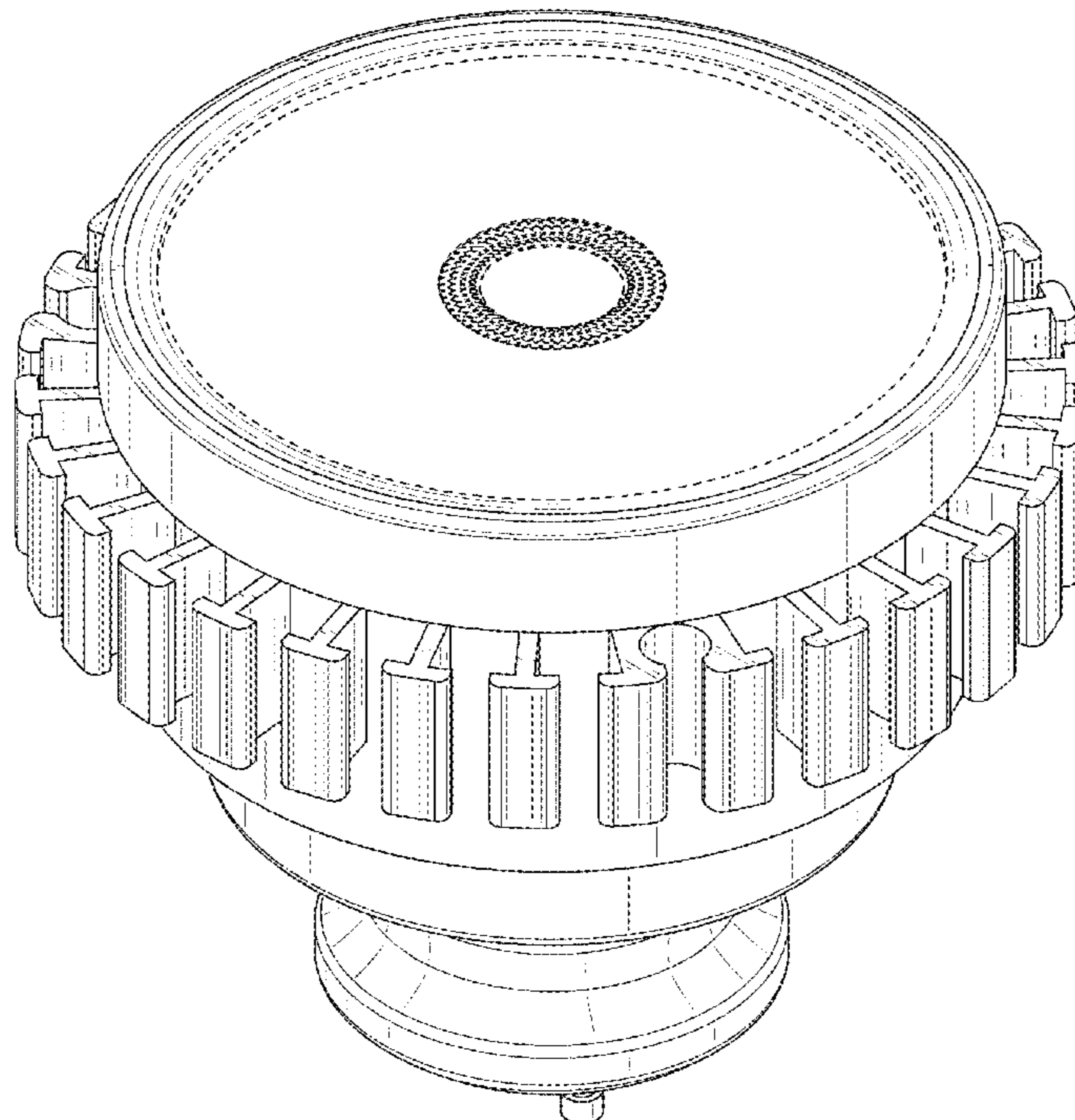
FIG. 5 is a fourth side elevational view thereof;

FIG. 6 is a top plan view thereof; and,

FIG. 7 is a bottom plan view thereof.

The broken lines in the drawings depict portions of the light bulb that form no part of the claimed design.

**1 Claim, 7 Drawing Sheets**



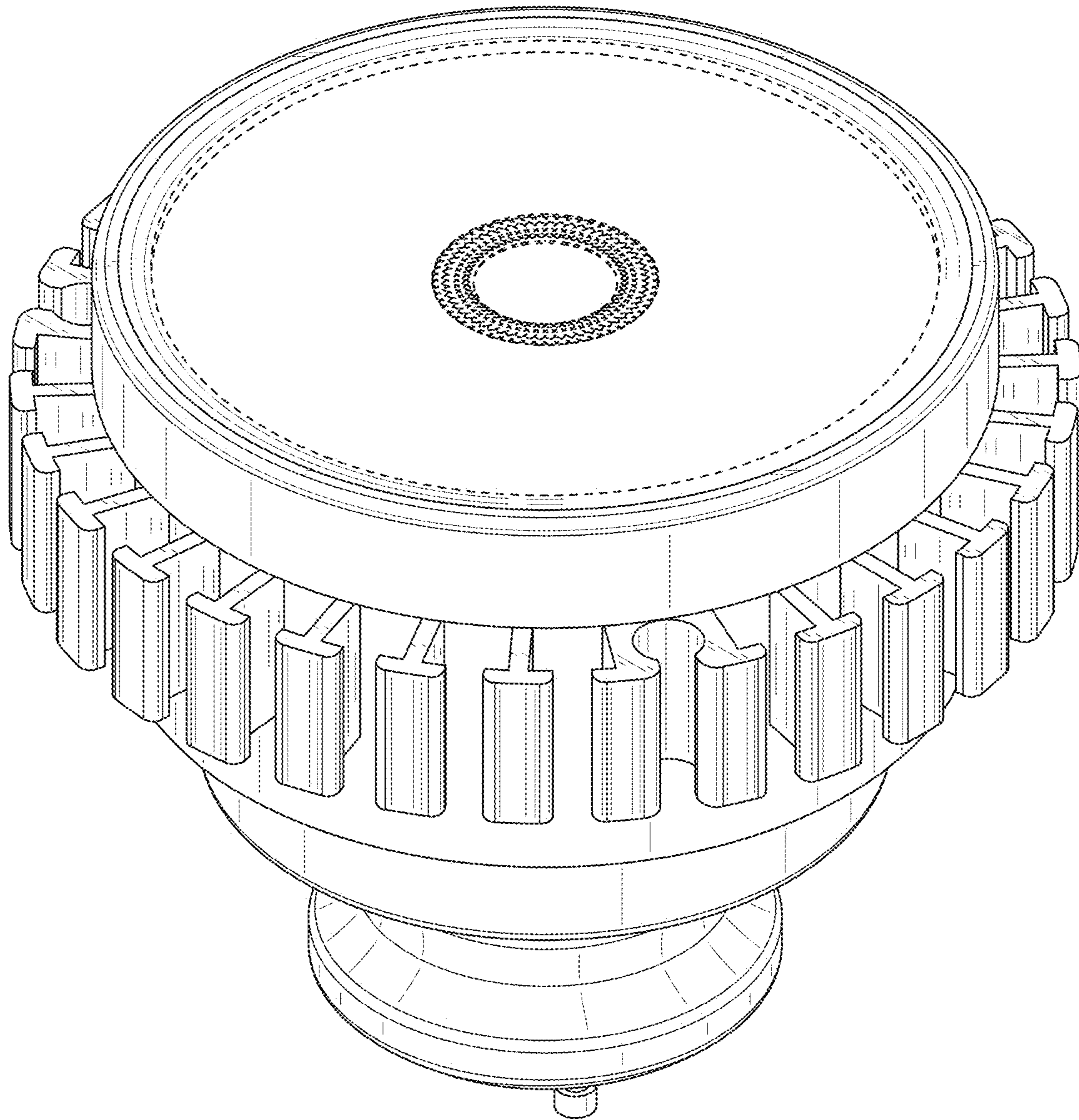


FIG. 1

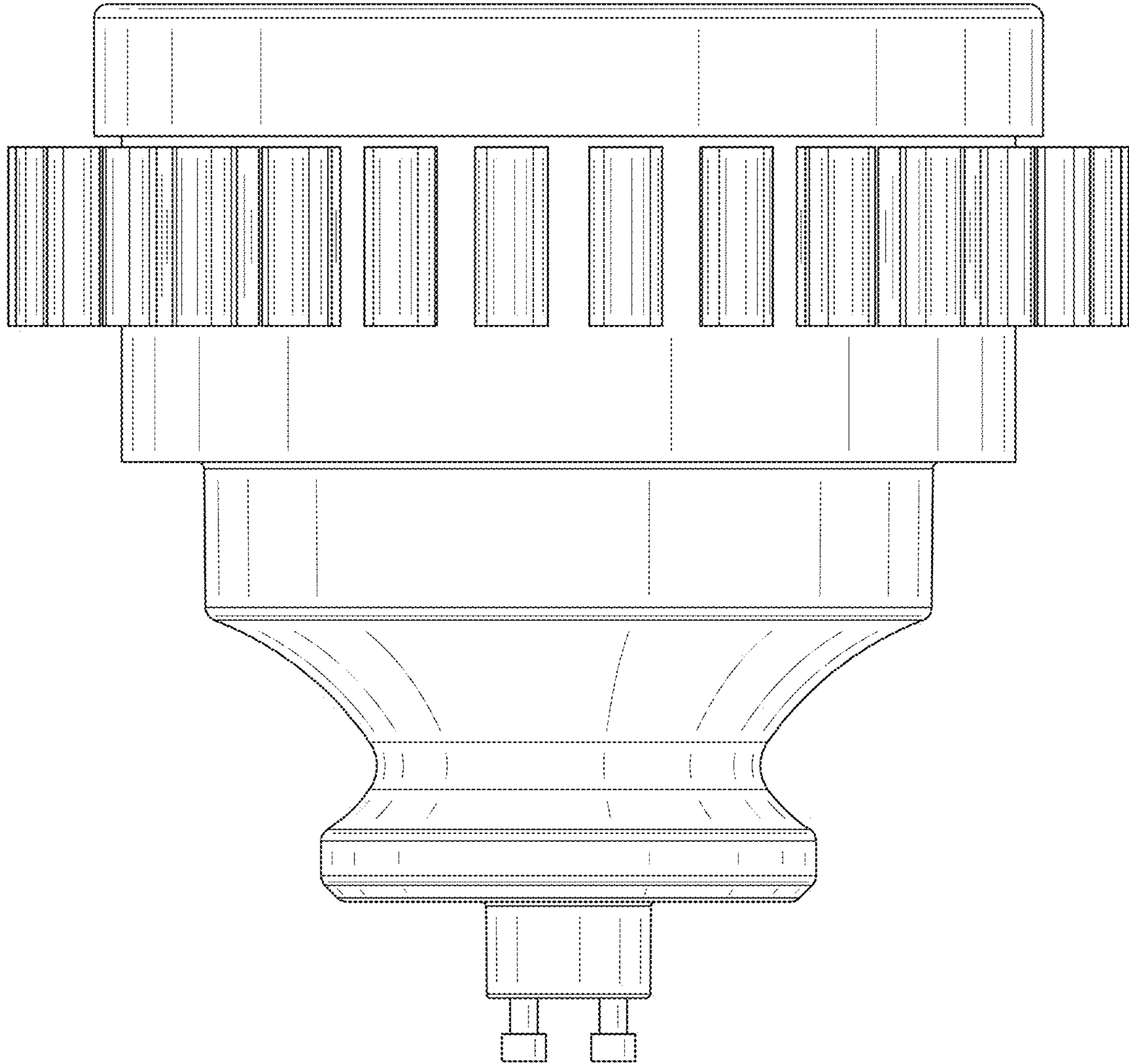


FIG. 2

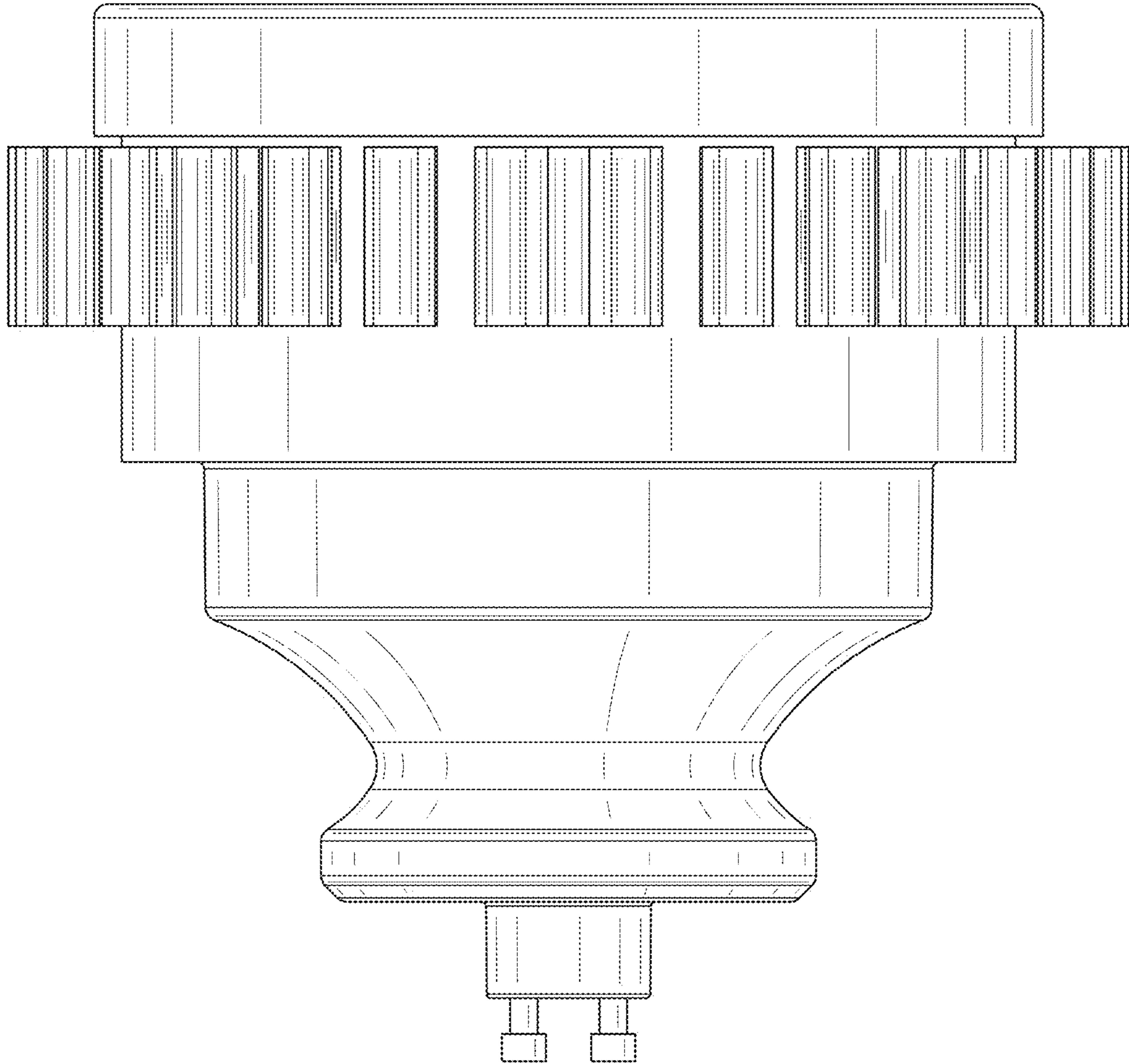


FIG. 3

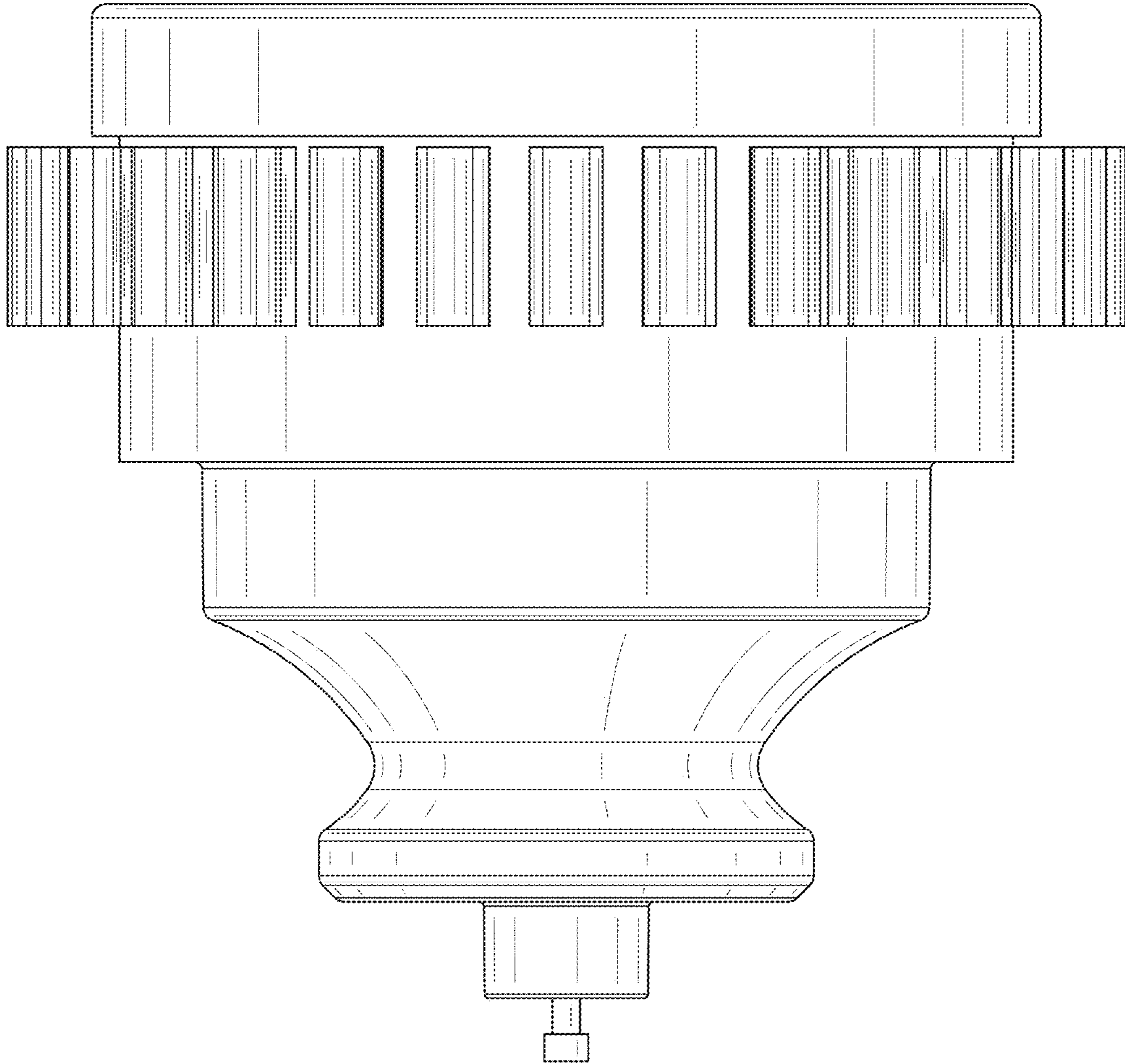


FIG. 4

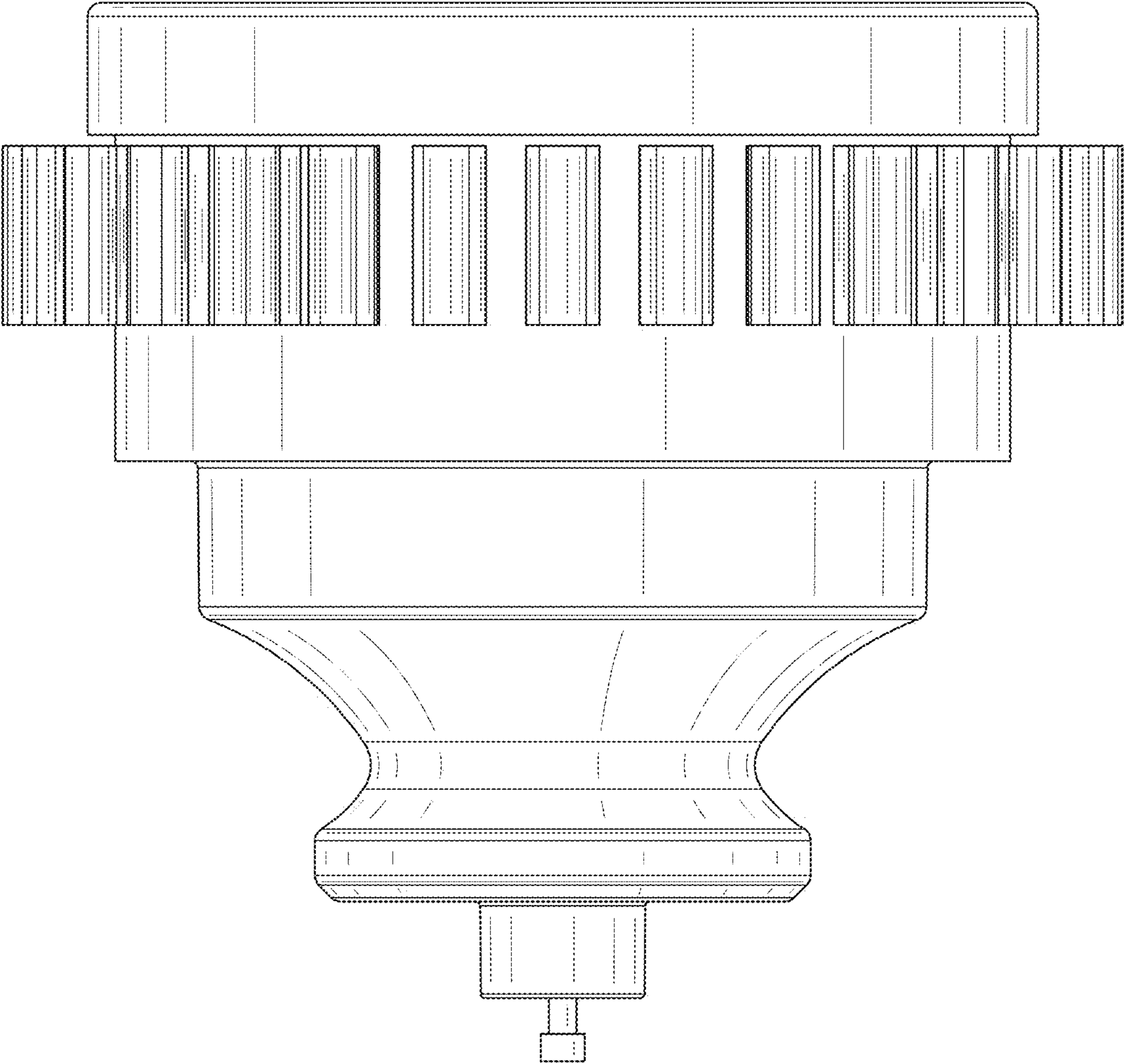


FIG. 5

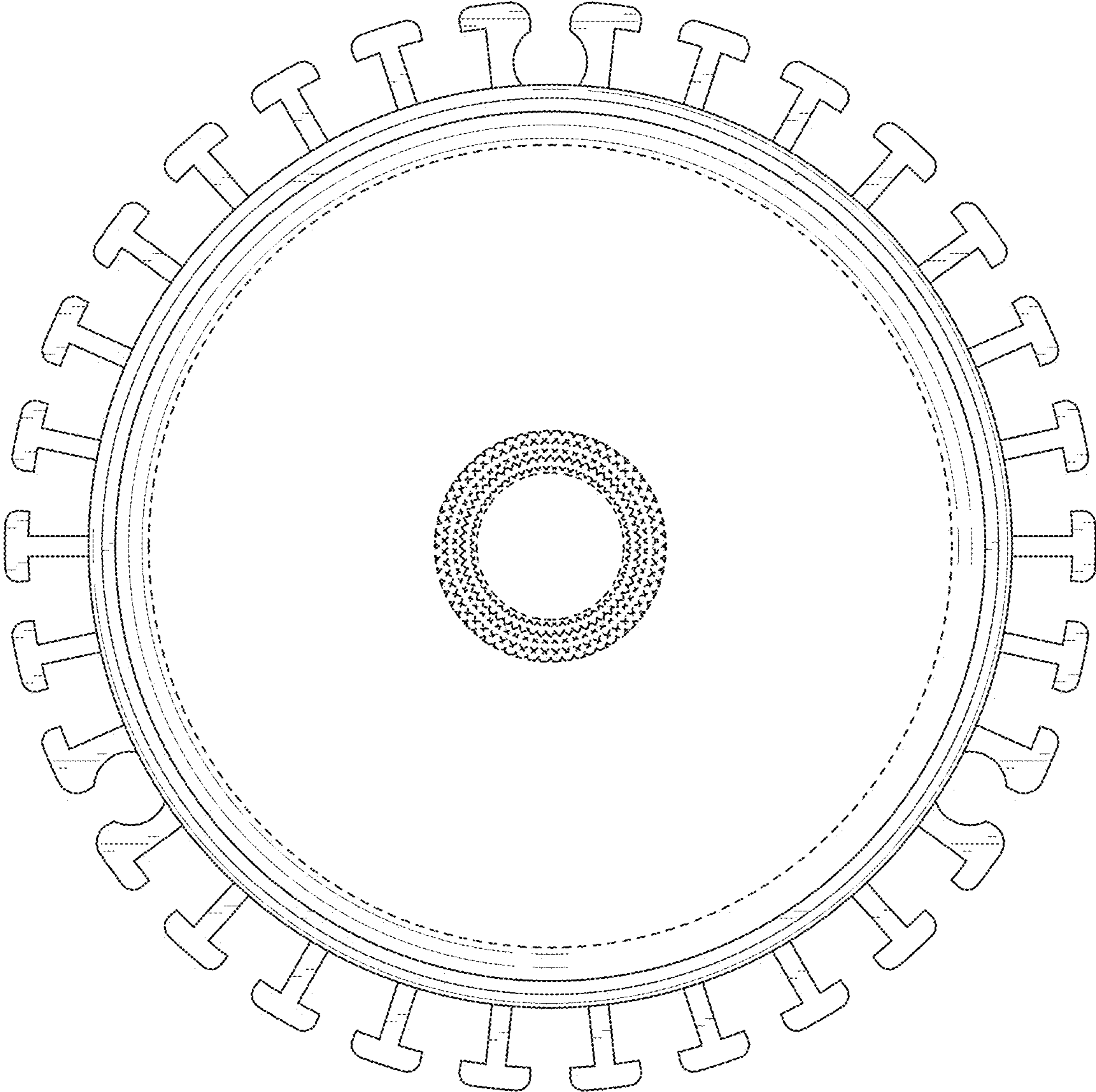


FIG. 6

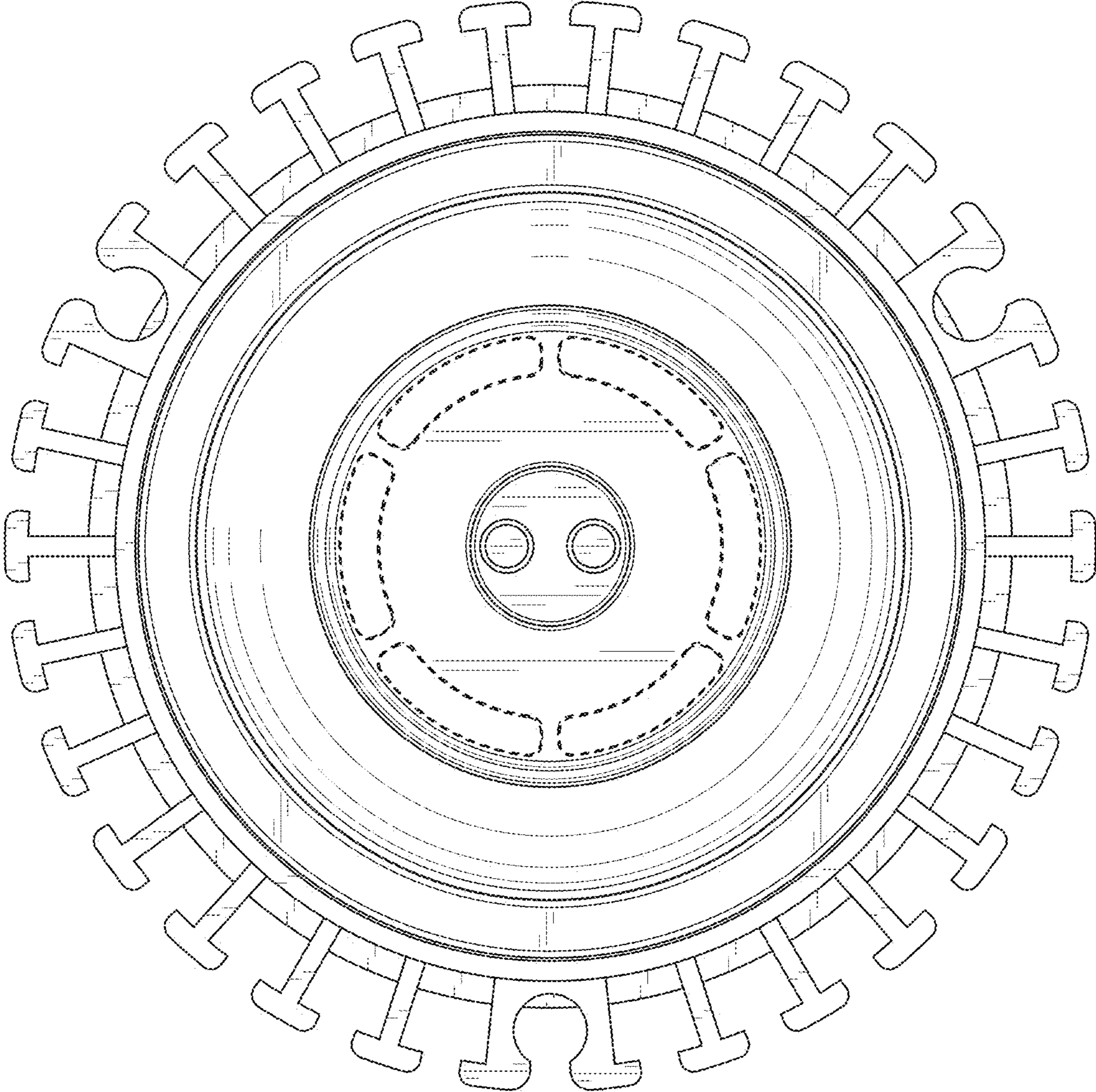


FIG. 7