



US00D910886S

(12) **United States Design Patent**  
**Pan**

(10) **Patent No.:** **US D910,886 S**

(45) **Date of Patent:** **\*\* Feb. 16, 2021**

(54) **LED LAMP**

D778,467 S \* 2/2017 Chang ..... D26/2  
D780,347 S \* 2/2017 Shum ..... D26/2  
D781,468 S \* 3/2017 Shum ..... D26/2

(71) Applicant: **SHENZHEN SNC OPTO ELECTRONIC CO., LTD.**, Shenzhen (CN)

\* cited by examiner

(72) Inventor: **Nianhua Pan**, Shenzhen (CN)

*Primary Examiner* — Marcus A Jackson

(73) Assignee: **SHENZHEN SNC OPTO ELECTRONIC CO., LTD.**, Shenzhen (CN)

(57) **CLAIM**

(\*\*) Term: **15 Years**

The ornamental design for an LED lamp, as shown and described.

(21) Appl. No.: **29/714,954**

(22) Filed: **Nov. 27, 2019**

**DESCRIPTION**

(51) **LOC (13) Cl.** ..... **26-04**

(52) **U.S. Cl.**  
USPC ..... **D26/2**

(58) **Field of Classification Search**  
USPC ..... D26/1-10  
CPC ..... H01R 5/00; H01R 13/46; H01R 13/514;  
H01R 31/048; H01R 31/02; H01J 5/00;  
H01J 5/16; H01J 1/02; H01J 15/00; H01J  
5/48; H01J 5/50; H01J 19/54; F21V 5/00;  
F21K 9/00; F21K 13/00  
See application file for complete search history.

FIG. 1 is a front perspective view of an LED lamp in accordance with a first embodiment showing my new design;

FIG. 2 is a rear perspective view thereof;

FIG. 3 is a front elevational view thereof;

FIG. 4 is a rear elevational view thereof;

FIG. 5 is a left side elevational view thereof;

FIG. 6 is a right side elevational view thereof;

FIG. 7 is a top plan view thereof; and,

FIG. 8 is a bottom plan view thereof.

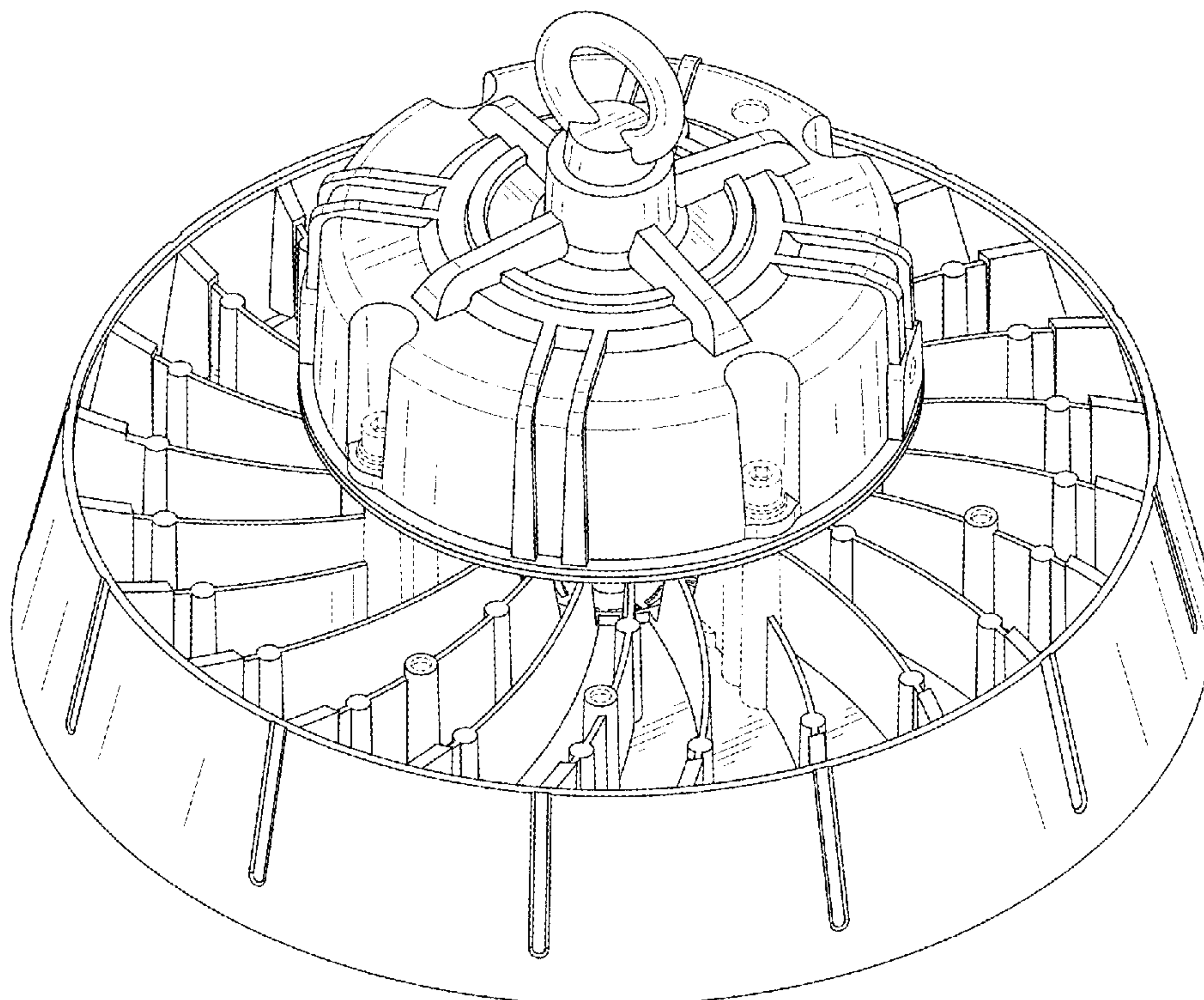
The broken lines in the drawings depict portions of the LED lamp that form no part of the claimed design.

(56) **References Cited**

**U.S. PATENT DOCUMENTS**

D745,709 S \* 12/2015 Iguma ..... D26/2  
D761,973 S \* 7/2016 Moon ..... D26/2

**1 Claim, 8 Drawing Sheets**



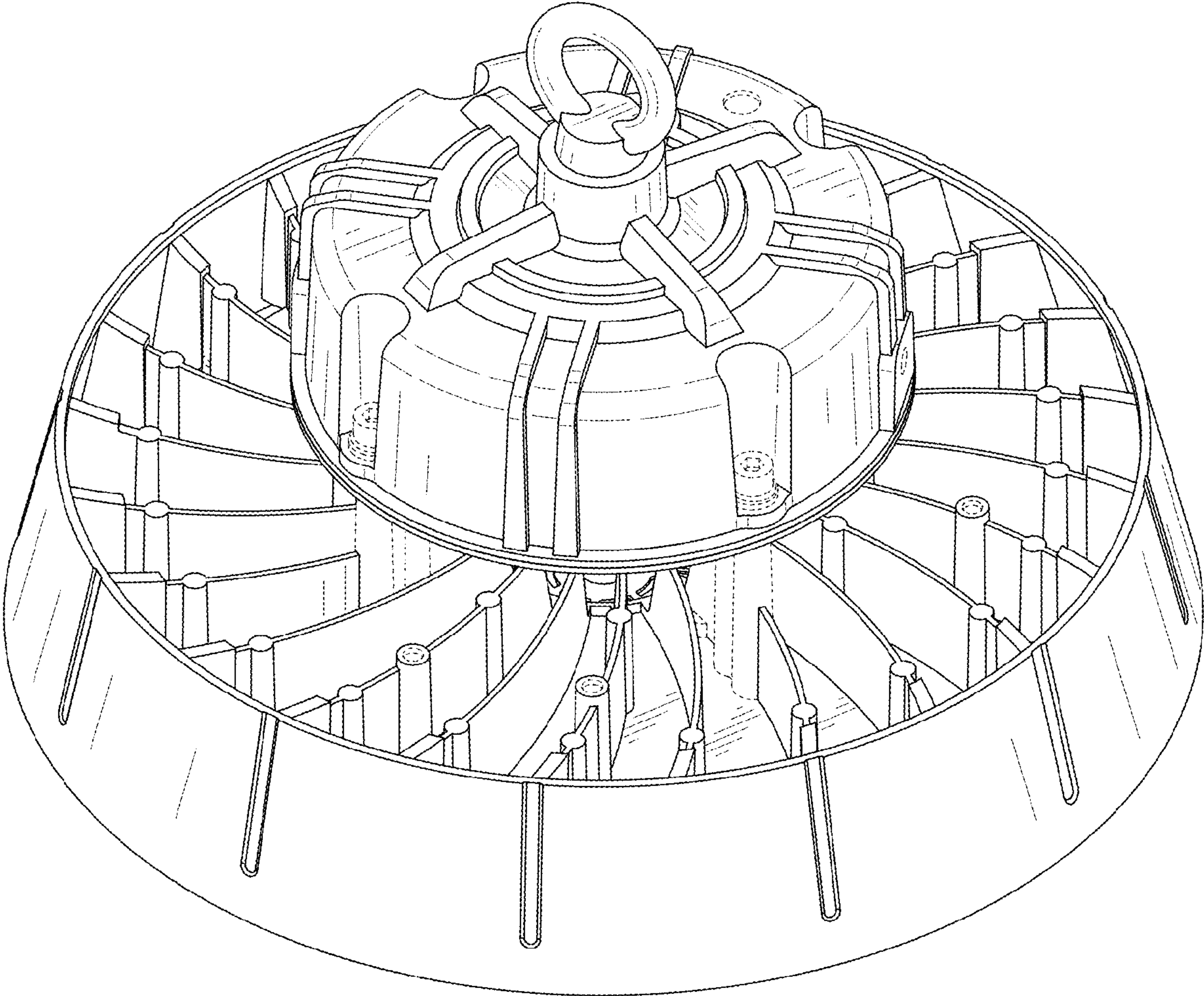


FIG. 1

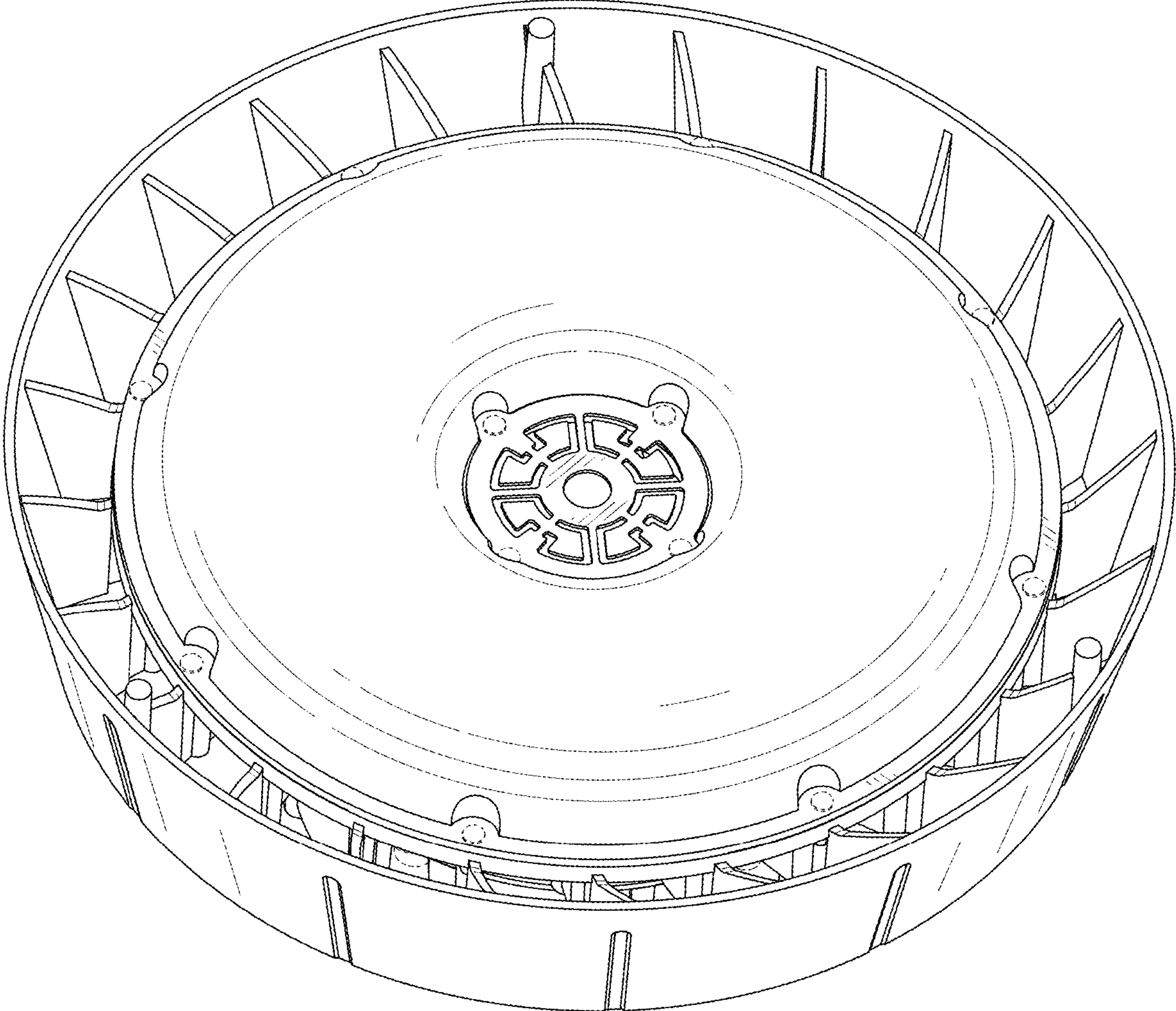


FIG. 2



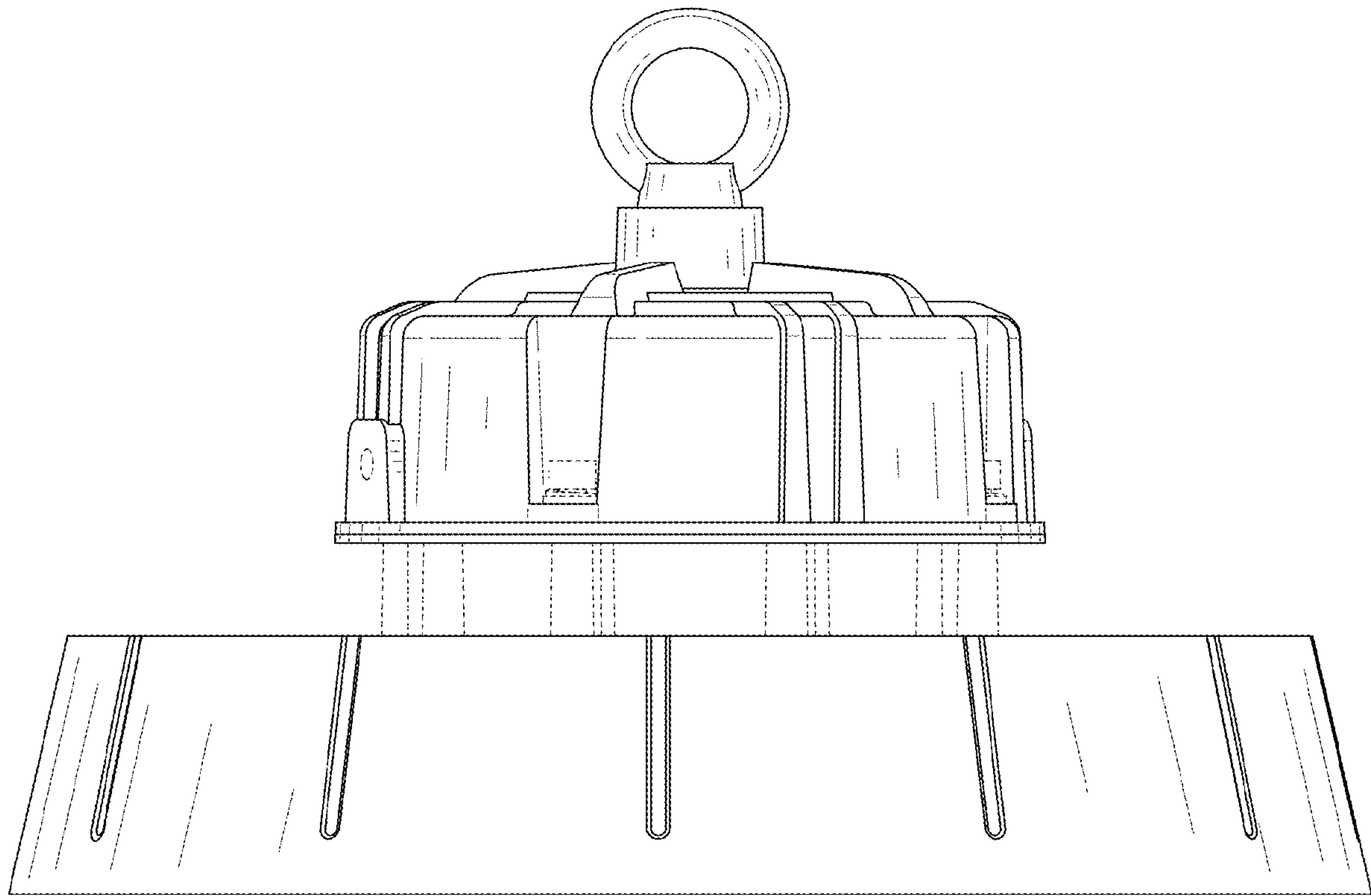


FIG. 3

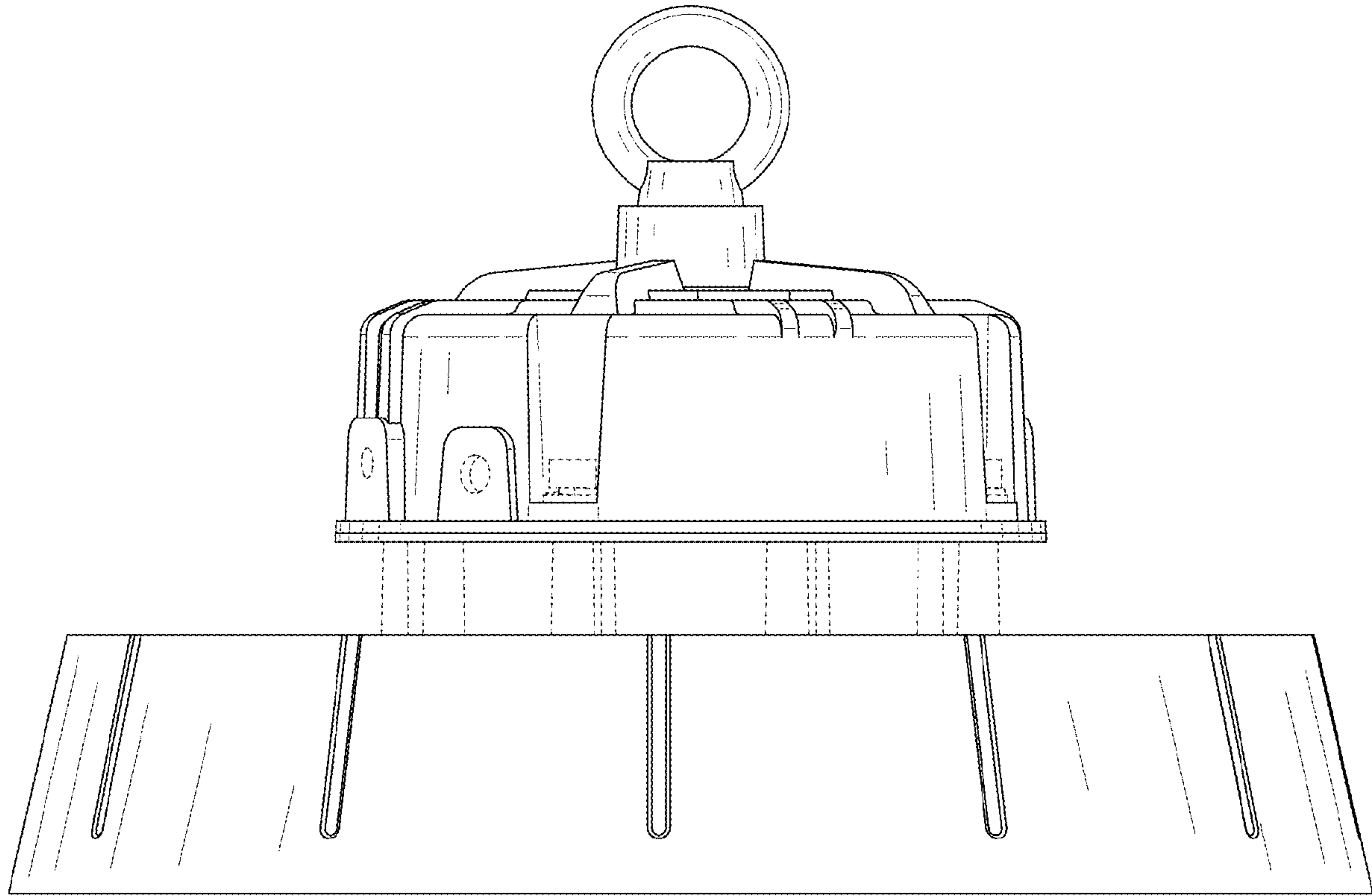


FIG. 4

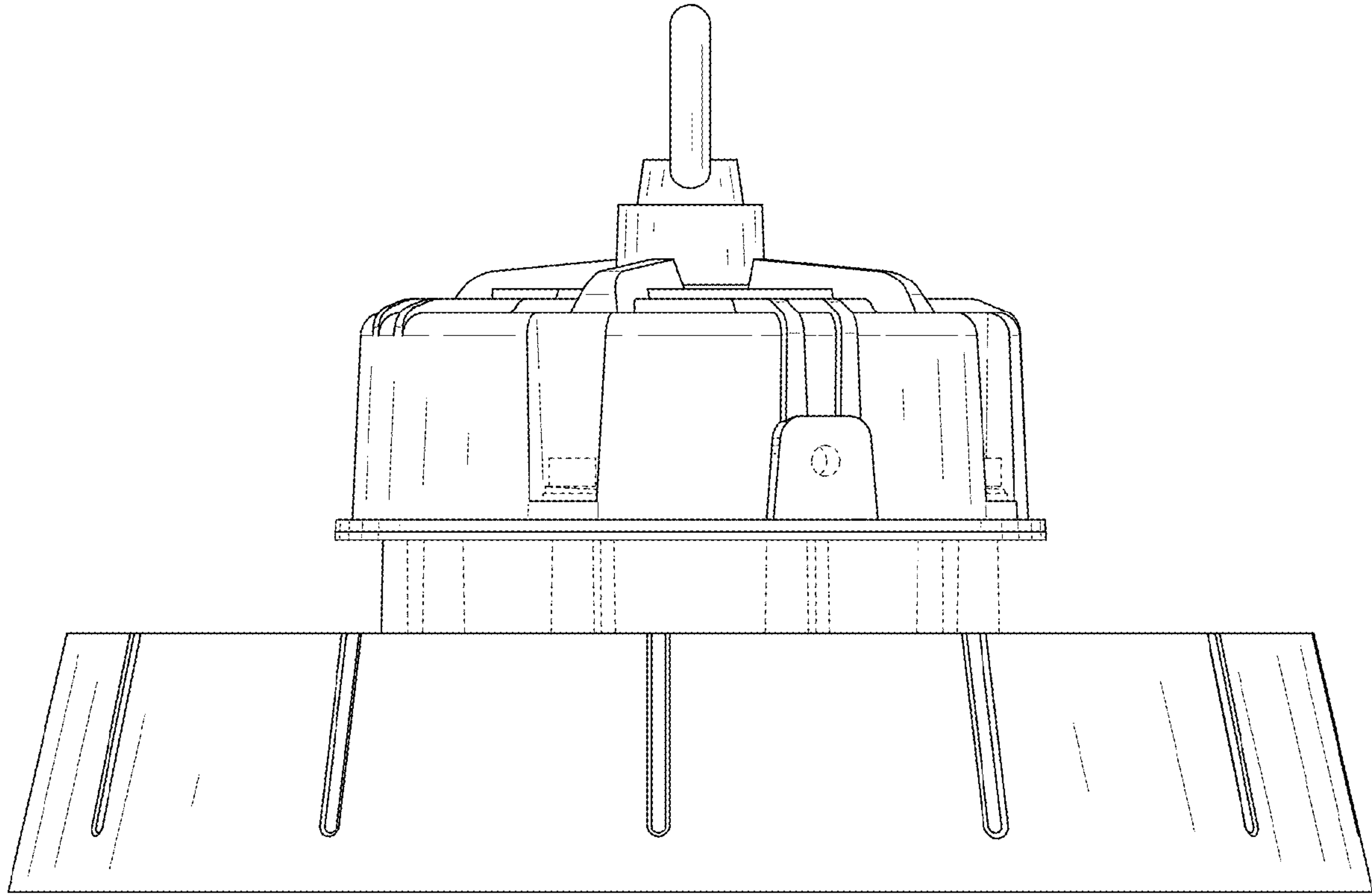


FIG. 5

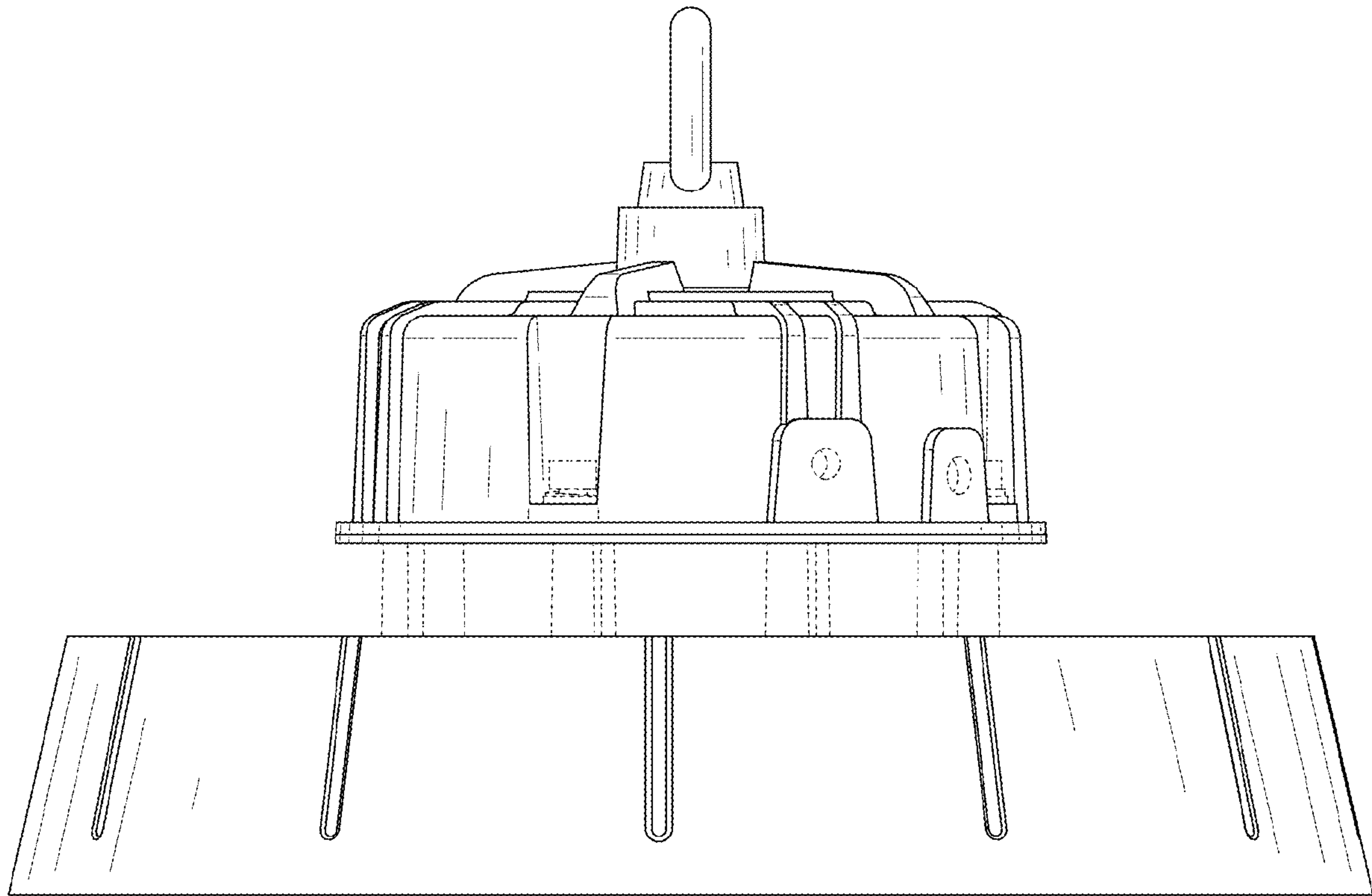


FIG. 6

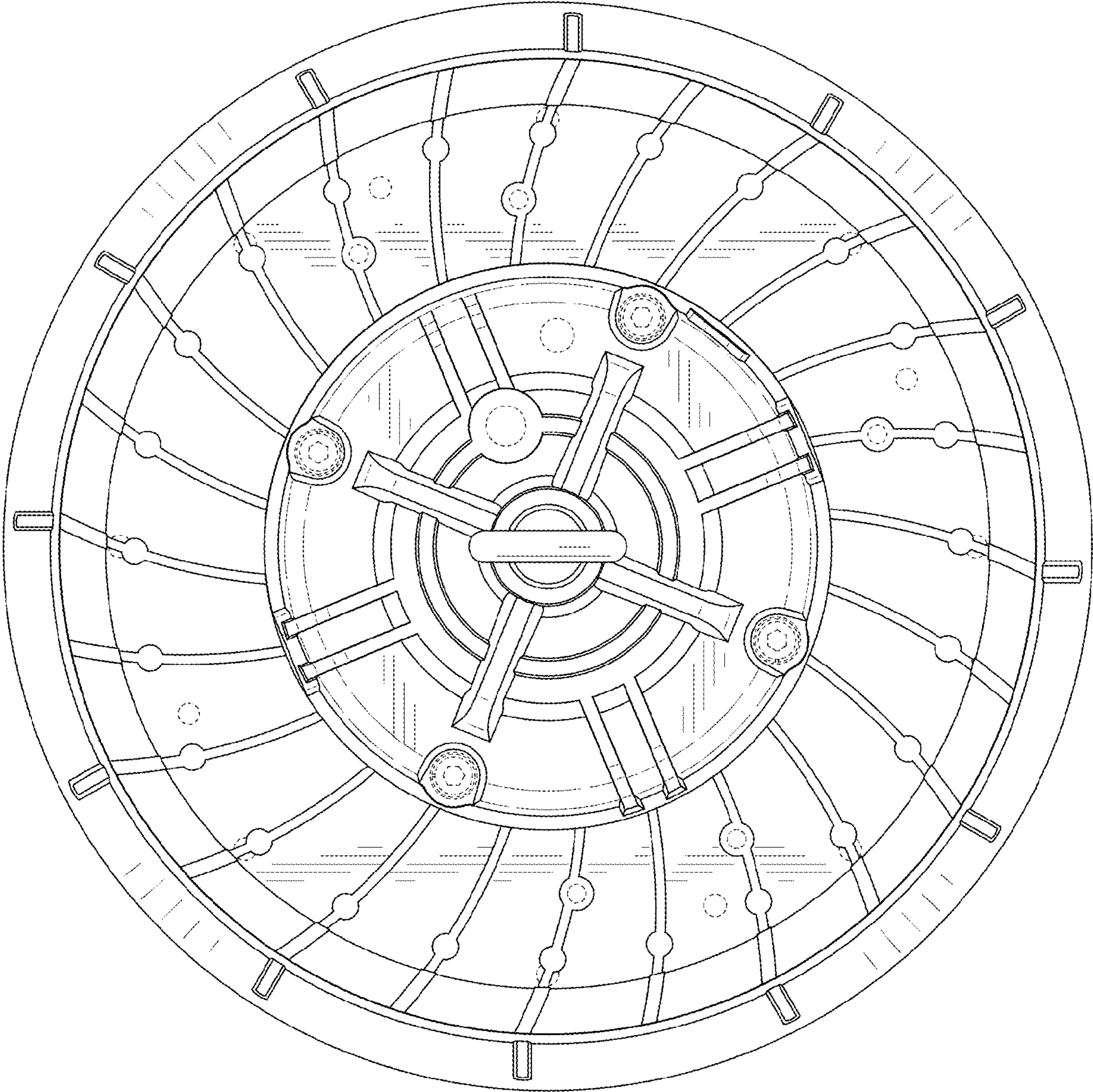


FIG. 7



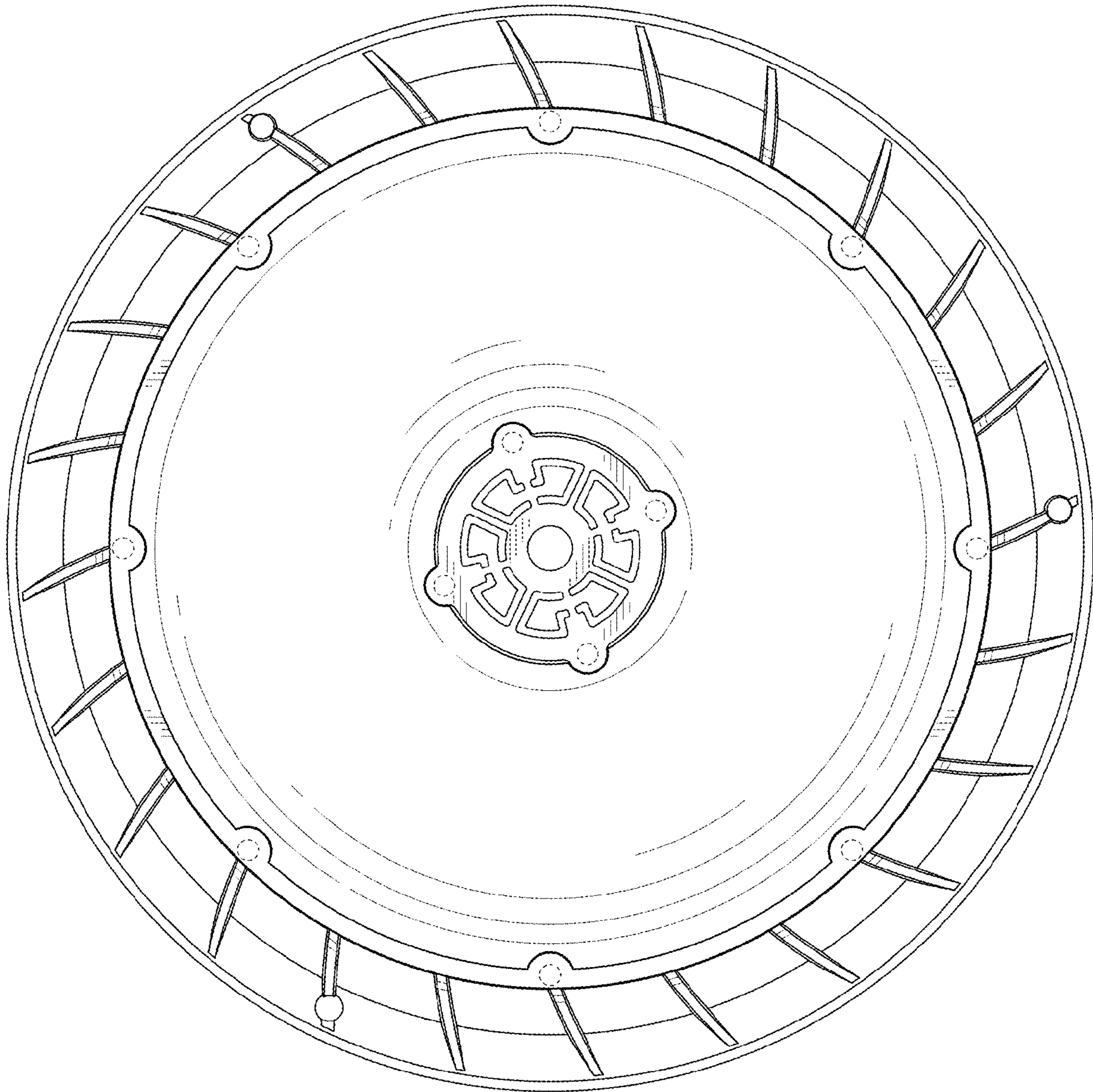


FIG. 8