



US00D910885S

(12) **United States Design Patent** (10) **Patent No.:** **US D910,885 S**
Shalvi (45) **Date of Patent:** **** Feb. 16, 2021**

(54) **LIGHT FIXTURE**
(71) Applicant: **Olympia Lighting, Inc.**, Closter, NJ (US)
(72) Inventor: **Ram Shalvi**, Closter, NJ (US)
(73) Assignee: **OLYMPIA LIGHTING, INC.**, Northvale, NJ (US)
(**) Term: **15 Years**
(21) Appl. No.: **29/664,971**
(22) Filed: **Sep. 28, 2018**
(51) **LOC (13) Cl.** **26-04**
(52) **U.S. Cl.**
USPC **D26/2**
(58) **Field of Classification Search**
USPC D26/1-10
CPC H01R 5/00; H01R 13/46; H01R 13/514;
H01R 31/048; H01R 31/02; H01J 5/00;
H01J 5/16; H01J 1/02; H01J 15/00; H01J
5/48; H01J 5/50; H01J 19/54; F21V 5/00;
F21K 9/00; F21K 13/00
See application file for complete search history.

D628,312 S * 11/2010 Yamamoto D26/2
D628,318 S * 11/2010 Yamamoto D26/2
D628,722 S * 12/2010 Yamamoto D26/2
D666,335 S * 8/2012 Kim D26/2

* cited by examiner

Primary Examiner — Marcus A Jackson
(74) *Attorney, Agent, or Firm* — Law Offices of Albert Wai-Kit Chan, PLLC; Robert D. Katz, Esq.

(57) **CLAIM**

An ornamental design for a light fixture, as shown and described.

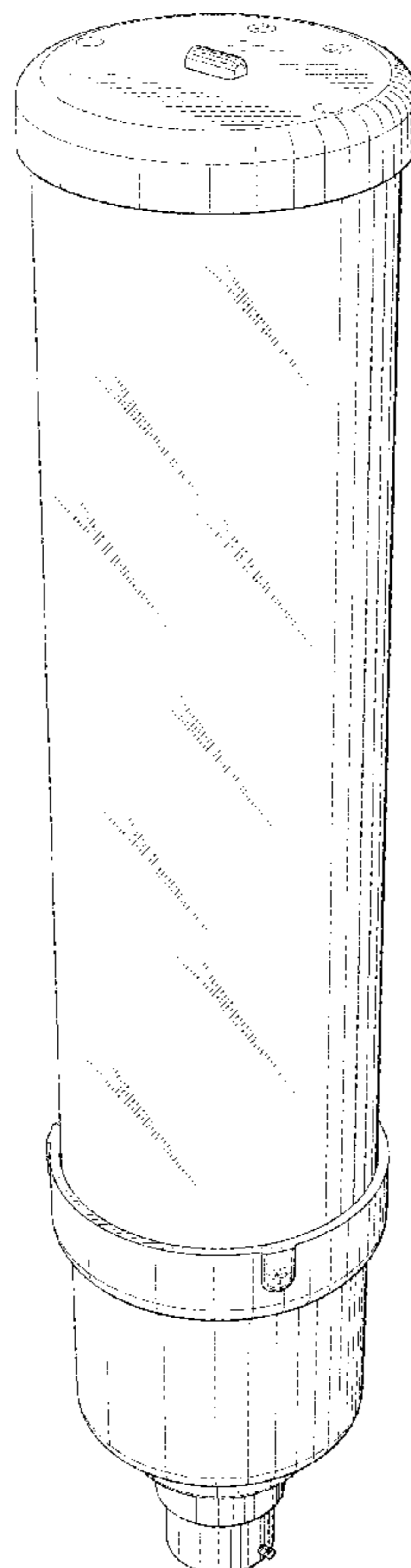
DESCRIPTION

FIG. 1 is a top, front, right side perspective view of my ornamental design for a light fixture;
FIG. 2 is a rear perspective view of the light fixture in FIG. 1;
FIG. 3 is an enlarged sectional view of the rear plate of the light fixture in FIG. 1, taken along line 2-2 of FIG. 2;
FIG. 4 is a front view of the light fixture in FIG. 1;
FIG. 5 is a rear view of the light fixture in FIG. 1;
FIG. 6 is a right-side view of the light fixture in FIG. 1;
FIG. 7 is a left-side view of the light fixture in FIG. 1;
FIG. 8 is a top view of the light fixture in FIG. 1;
FIG. 9 is a bottom view of the light fixture in FIG. 1; and,
FIG. 10 is top, front, right side perspective view of the light fixture in FIG. 1, showing a clear bulb, which may be used therewith.

(56) **References Cited**
U.S. PATENT DOCUMENTS

D626,666 S * 11/2010 Yamamoto D26/2
D627,493 S * 11/2010 Yamamoto D26/2

1 Claim, 9 Drawing Sheets



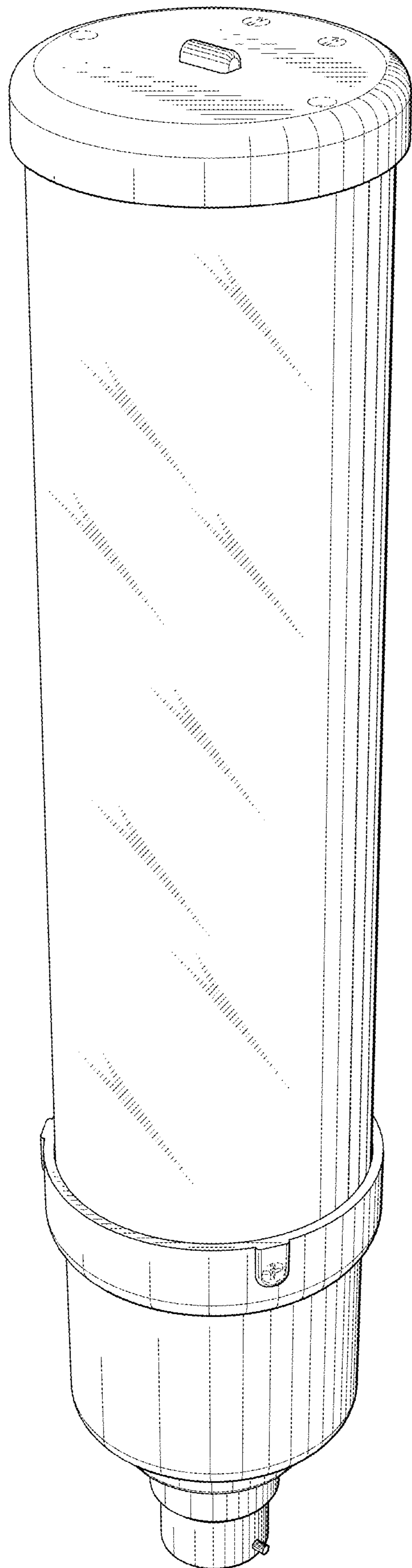


FIG. 1

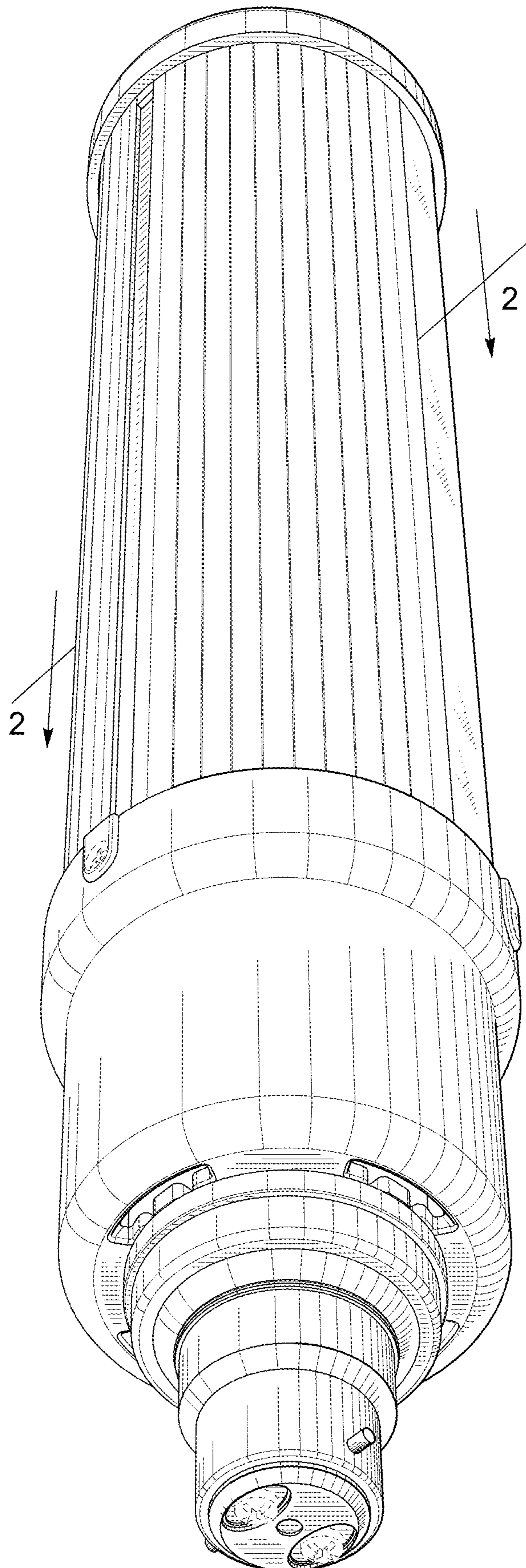


FIG. 2

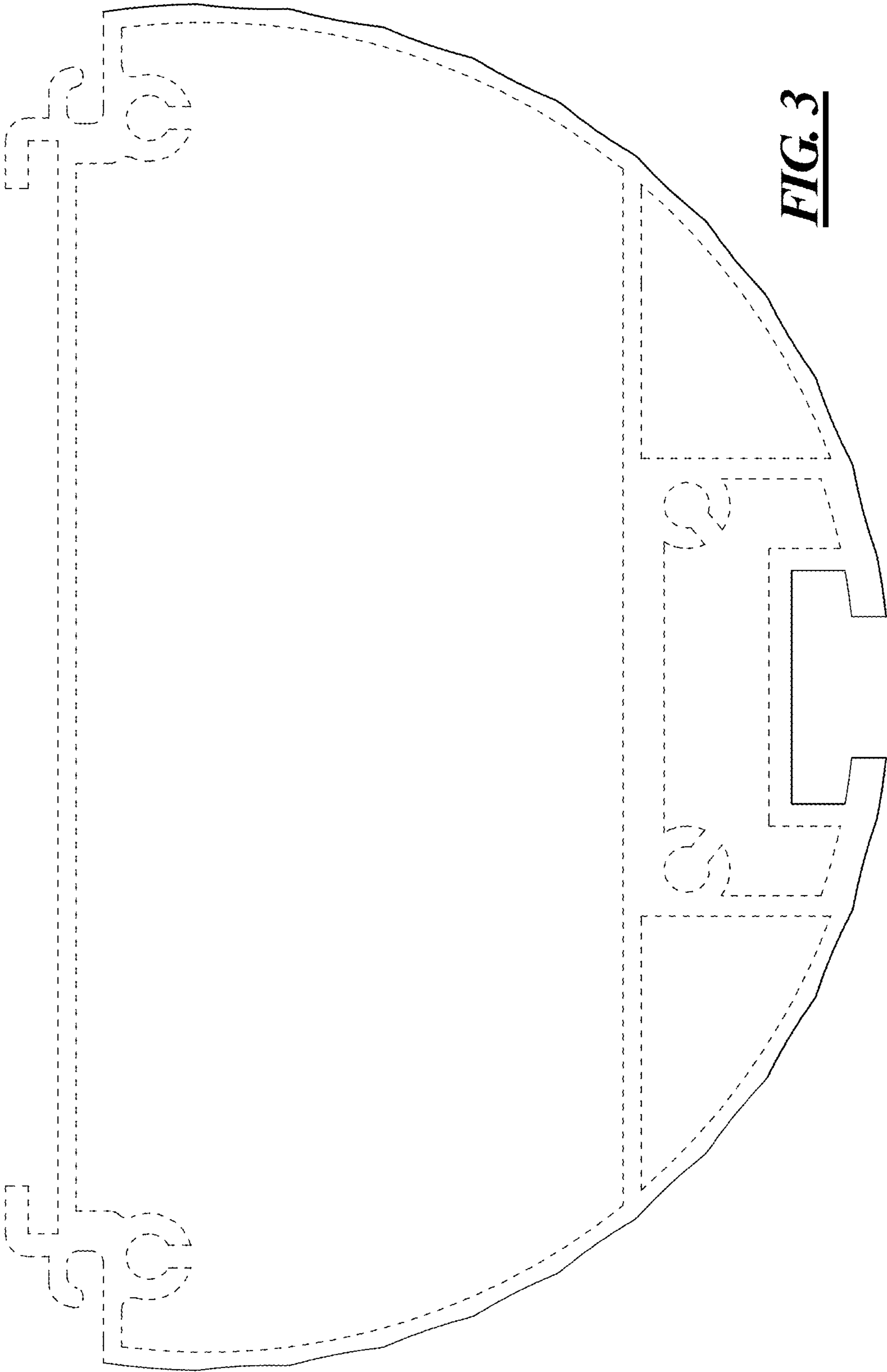


FIG. 3

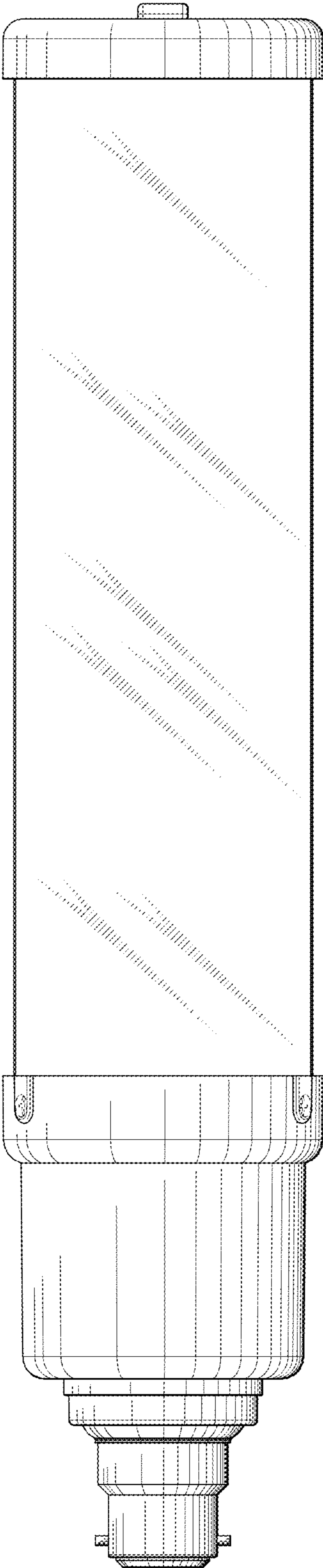


FIG. 4

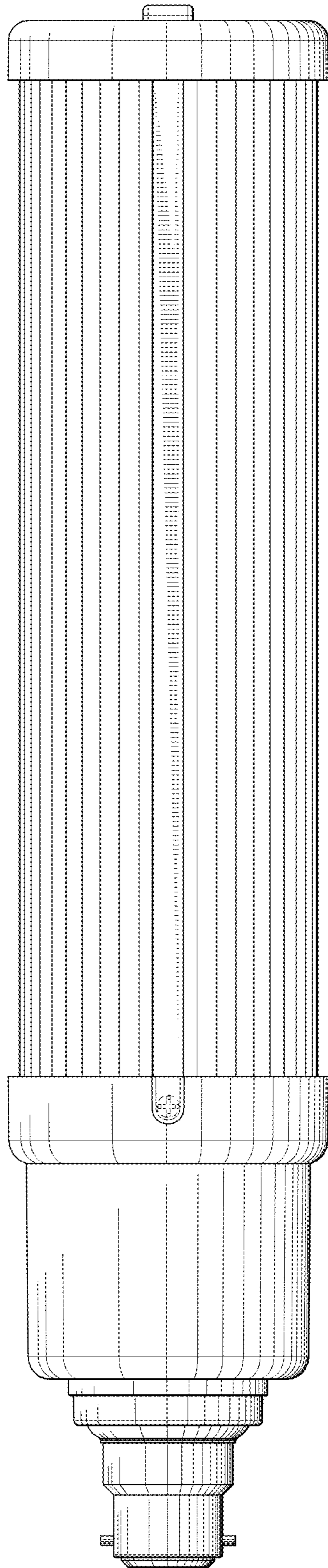


FIG. 5

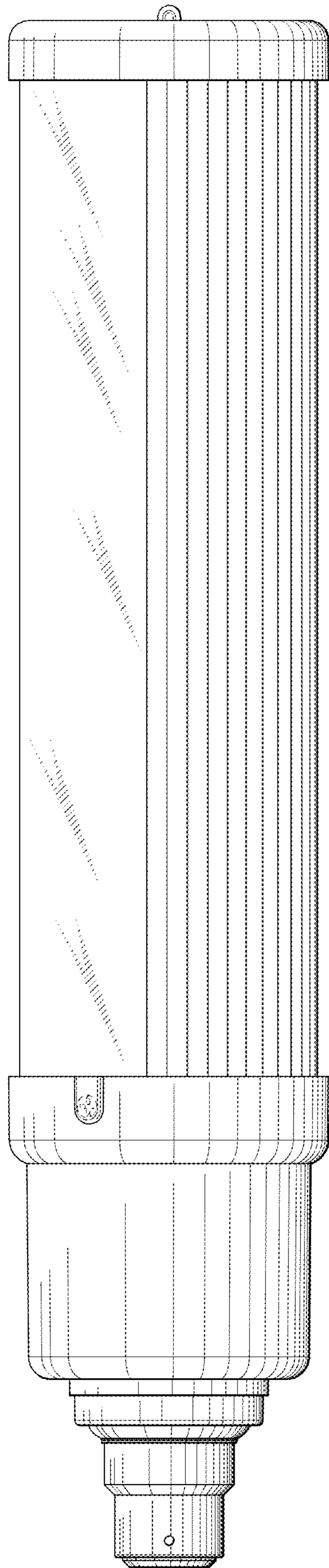


FIG. 6

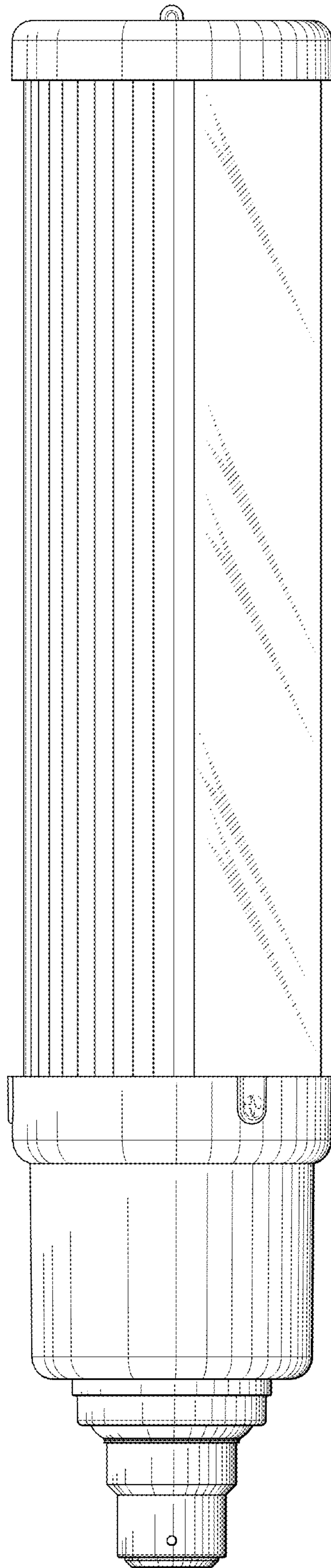


FIG. 7

FIG. 8

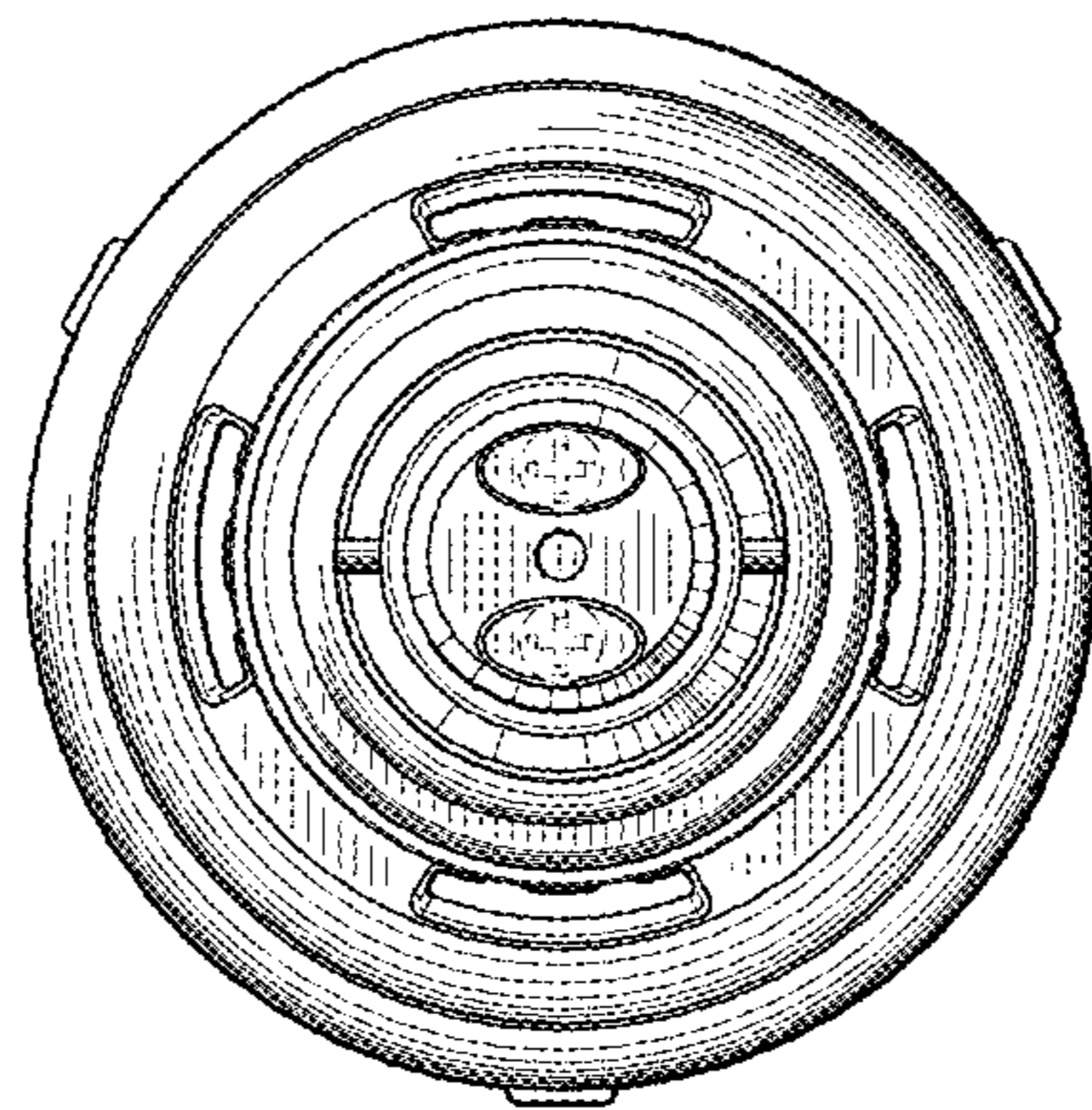
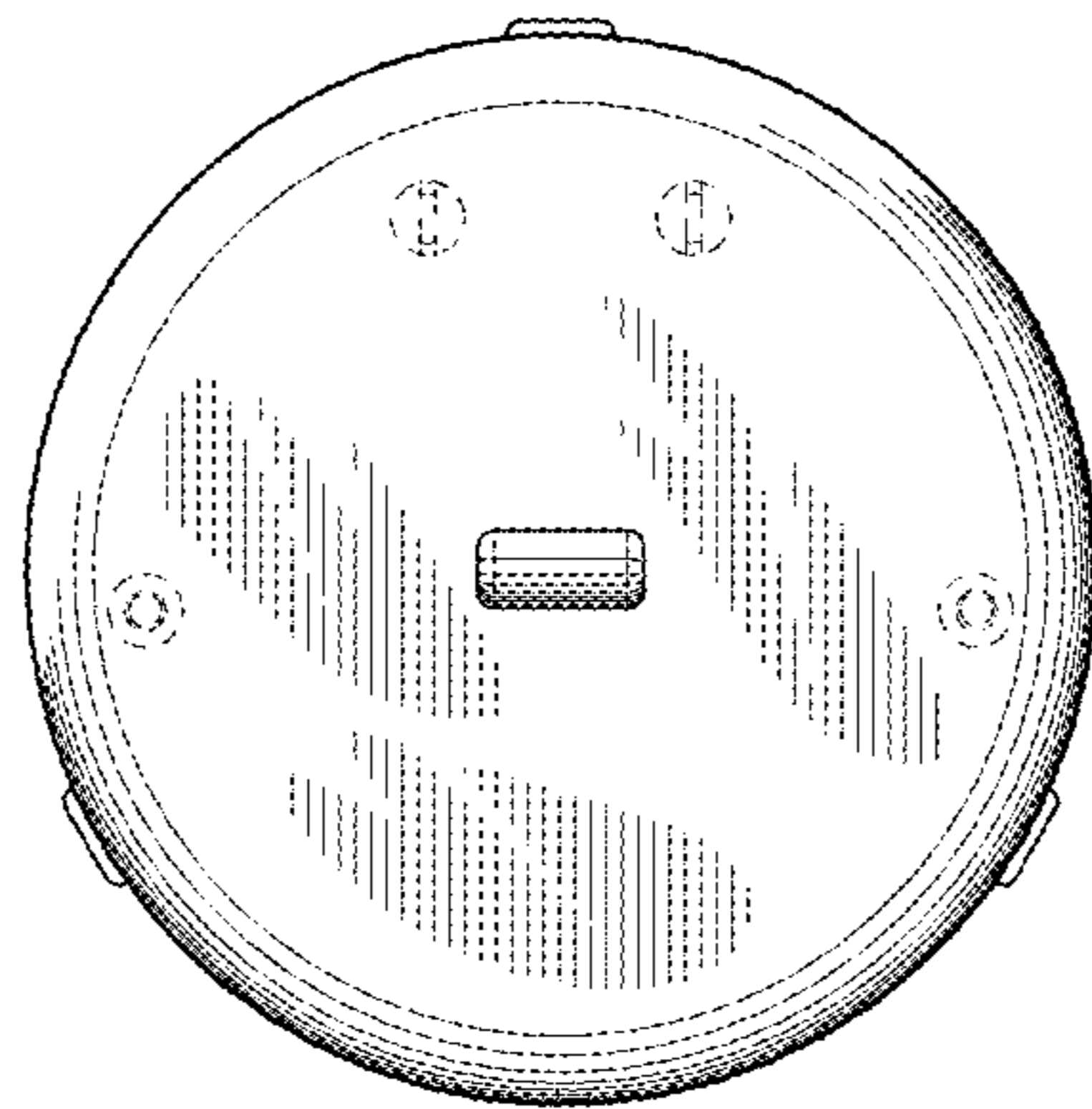


FIG. 9

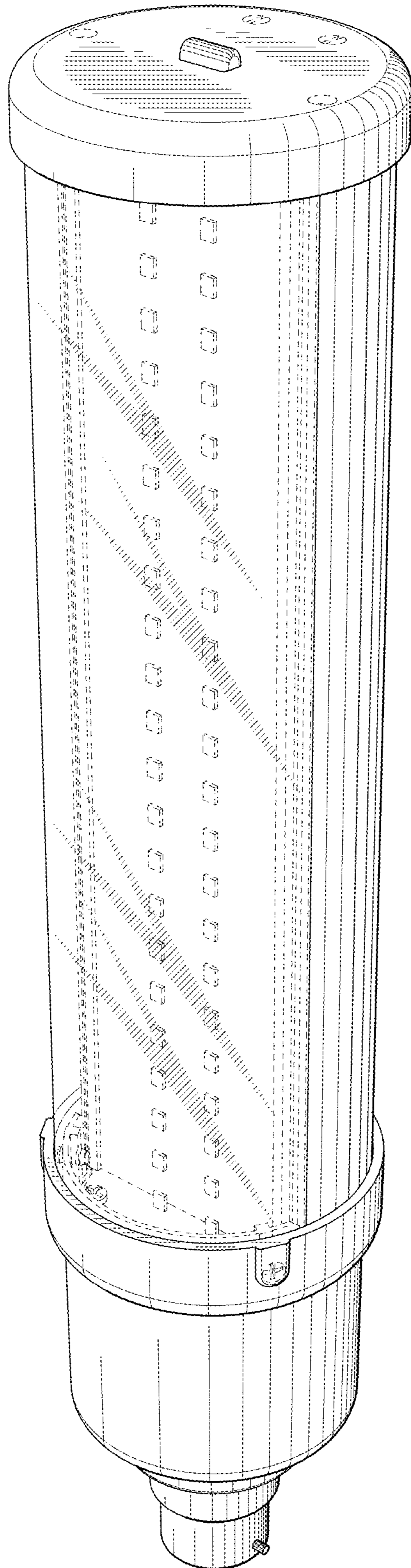


FIG. 10