



US00D910884S

(12) **United States Design Patent** (10) **Patent No.:** **US D910,884 S**  
**Jiang et al.** (45) **Date of Patent:** **\*\* \*Feb. 16, 2021**

(54) **LED TUBE LIGHT**

(56) **References Cited**

(71) Applicant: **JIAXING SUPER LIGHTING ELECTRIC APPLIANCE CO., LTD.,**  
Zhejiang (CN)

U.S. PATENT DOCUMENTS

D59,584 S \* 11/1921 Green ..... D9/766  
D124,030 S \* 12/1940 Hommer ..... D7/597  
D265,585 S \* 7/1982 East ..... D24/112

(72) Inventors: **Tao Jiang,** Zhejiang (CN); **Chang Yang,** Zhejiang (CN); **Xiaosu Yang,** Zhejiang (CN)

(Continued)

(73) Assignee: **JIAXING SUPER LIGHTING ELECTRIC APPLIANCE CO., LTD.,**  
Zhejiang (CN)

FOREIGN PATENT DOCUMENTS

CN 303259147 S 6/2015

(\*) Notice: This patent is subject to a terminal disclaimer.

*Primary Examiner* — Keli L Hill

*Assistant Examiner* — Harold E Blackwell, II

(74) *Attorney, Agent, or Firm* — Andrew M. Calderon; Roberts Calderon Safran & Cole, P.C.

(\*\*) Term: **15 Years**

(57) **CLAIM**

The ornamental design for a LED tube light, as shown and described.

(21) Appl. No.: **29/580,554**

(22) Filed: **Oct. 11, 2016**

**DESCRIPTION**

**Related U.S. Application Data**

(63) Continuation-in-part of application No. 29/578,104, filed on Sep. 19, 2016, and a continuation-in-part of application No. 29/522,412, filed on Mar. 31, 2015, now Pat. No. Des. 846,762.

FIG. 1 is a perspective view of an LED tube light showing our new design;

FIG. 2 is a front view of FIG. 1;

FIG. 3 is a rear view of FIG. 1;

FIG. 4 is a left side view of FIG. 1;

FIG. 5 is a right side view of FIG. 1;

FIG. 6 is a top view of FIG. 1;

FIG. 7 is a bottom view of FIG. 1;

FIG. 8 is an enlarged view of the area encircled by the dash-dot line of FIG. 6;

FIG. 9 is an enlarged view of the area encircled by the dash-dot line of FIG. 7;

FIG. 10 is an enlarged top view of the second embodiment of FIG. 6; and,

FIG. 11 is an enlarged bottom view of the second embodiment of FIG. 7.

The broken lines in the figures form no part of the claimed design.

(30) **Foreign Application Priority Data**

Dec. 12, 2014 (CN) ..... 201430522020.6

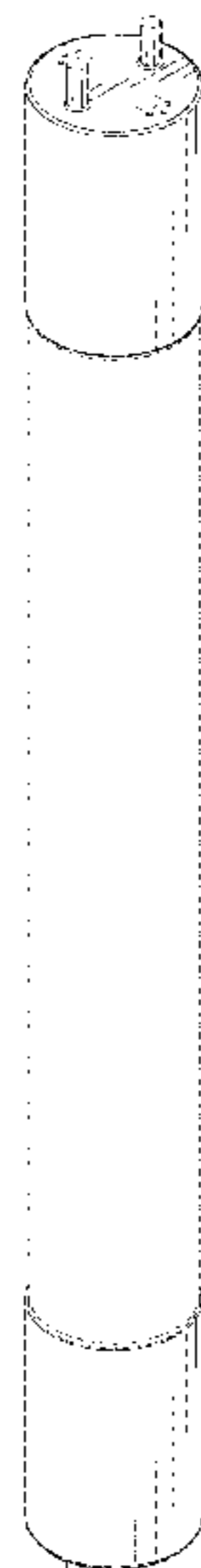
(51) **LOC (13) Cl.** ..... **26-04**

(52) **U.S. Cl.**  
USPC ..... **D26/2**

(58) **Field of Classification Search**  
USPC ..... D24/213, 127; D14/488; D26/1-4, 313, D26/315, 316, 317, 318, 493; 315/52, 315/53, 56, 57, 58  
CPC ..... H01J 5/48; H01J 5/50; H01J 19/54; F21V 5/00

See application file for complete search history.

**1 Claim, 6 Drawing Sheets**



(56)

References Cited

U.S. PATENT DOCUMENTS

5,031,573 A \* 7/1991 De Marco ..... A01K 1/0245  
 119/496  
 D336,821 S \* 6/1993 Ancona ..... D7/596  
 D336,822 S \* 6/1993 Ancona ..... D7/679  
 D339,269 S \* 9/1993 Ancona ..... D7/596  
 5,390,629 A \* 2/1995 Simone ..... A01K 15/025  
 119/711  
 D536,931 S \* 2/2007 Spellman ..... D7/594  
 D540,171 S \* 4/2007 Ko ..... D9/503  
 D588,872 S \* 3/2009 Gospodarski ..... D7/591  
 D650,497 S \* 12/2011 Lai ..... D26/3  
 D662,235 S \* 6/2012 Lain ..... D26/3  
 D671,414 S \* 11/2012 Teitelbaum ..... D9/450  
 D701,612 S \* 3/2014 Robinson ..... D24/213  
 8,678,611 B2 \* 3/2014 Chu ..... F21V 7/0008  
 313/110  
 8,749,140 B2 \* 6/2014 Yang ..... H05B 45/50  
 315/52  
 D717,962 S \* 11/2014 Chen ..... D24/213  
 D720,898 S \* 1/2015 Herrera ..... D30/160  
 9,057,493 B2 \* 6/2015 Simon ..... F21V 7/0008  
 D743,985 S \* 11/2015 Herold ..... D14/486  
 D748,503 S \* 2/2016 Gora ..... D10/46.2  
 D752,250 S \* 3/2016 Rowlette, Jr. .... D26/2

D768,891 S \* 10/2016 Jiang ..... D26/3  
 9,611,984 B2 \* 4/2017 Jiang ..... F21K 9/27  
 9,618,166 B2 \* 4/2017 Jiang ..... F21K 9/27  
 9,629,215 B2 \* 4/2017 Xiong ..... F21K 9/235  
 9,629,216 B2 \* 4/2017 Jiang ..... F21V 25/02  
 D792,450 S \* 7/2017 Take ..... D14/488  
 9,756,698 B2 \* 9/2017 Xiong ..... H05B 45/37  
 D803,628 S \* 11/2017 Kim ..... D7/596  
 9,845,923 B2 \* 12/2017 Jiang ..... B23K 1/0016  
 D807,916 S \* 1/2018 Kim ..... D14/488  
 D809,346 S \* 2/2018 Rigbi ..... D7/591  
 D814,876 S \* 4/2018 Rigbi ..... D7/591  
 D815,917 S \* 4/2018 Rigbi ..... D7/591  
 D815,918 S \* 4/2018 Rigbi ..... D7/591  
 9,955,587 B2 \* 4/2018 Jiang ..... F21K 9/272  
 D817,719 S \* 5/2018 Rigbi ..... D7/591  
 D818,320 S \* 5/2018 Campbell ..... D7/591  
 10,021,742 B2 \* 7/2018 Jiang ..... F21V 23/023  
 D832,872 S \* 11/2018 Crosley ..... D14/486  
 10,190,749 B2 \* 1/2019 Jiang ..... F21V 7/24  
 D846,762 S \* 4/2019 Jiang ..... D26/2  
 D851,672 S \* 6/2019 Mateus ..... D14/488  
 D864,984 S \* 10/2019 Sanchez ..... D14/486  
 D864,986 S \* 10/2019 Sanchez ..... D14/486  
 D870,371 S \* 12/2019 Storz ..... D27/167  
 2016/0341414 A1 \* 11/2016 Jiang ..... F21V 23/02  
 2017/0089521 A1 \* 3/2017 Jiang ..... F21V 29/89

\* cited by examiner

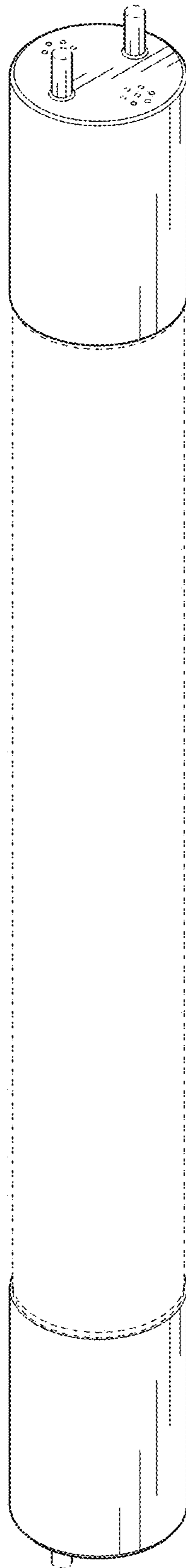


FIG. 1

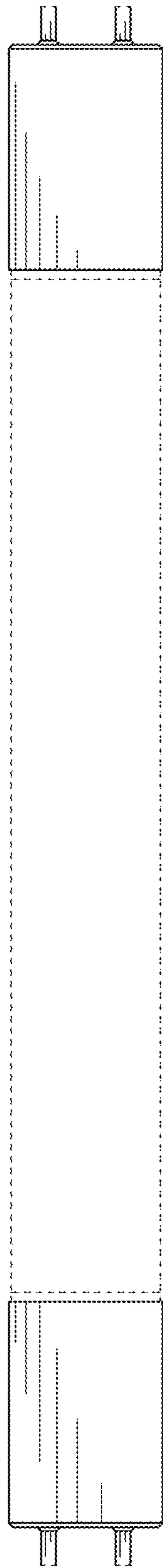


FIG. 2

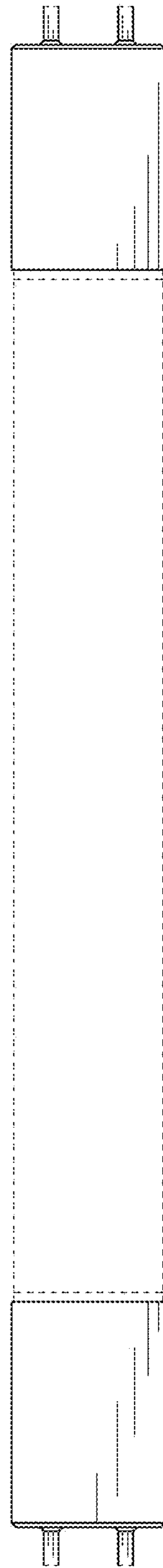


FIG. 3

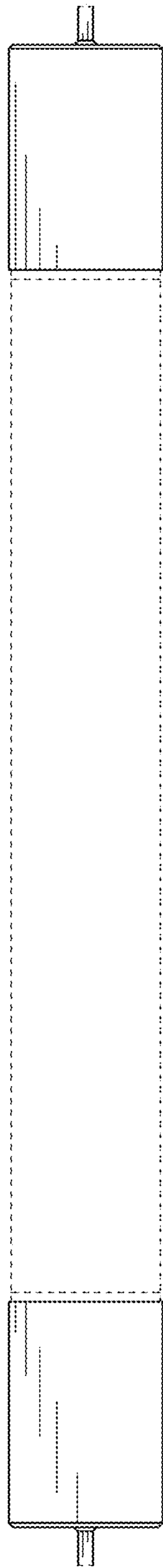


FIG.4

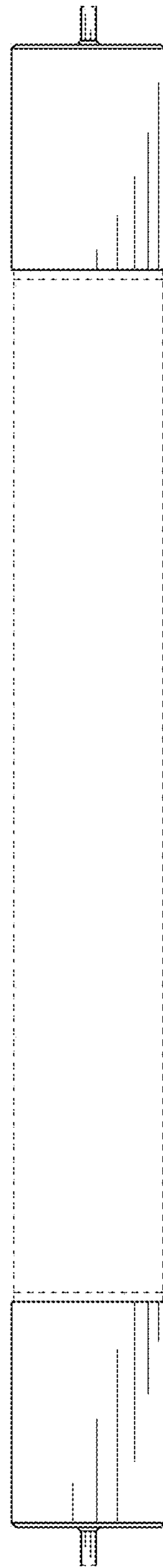


FIG.5

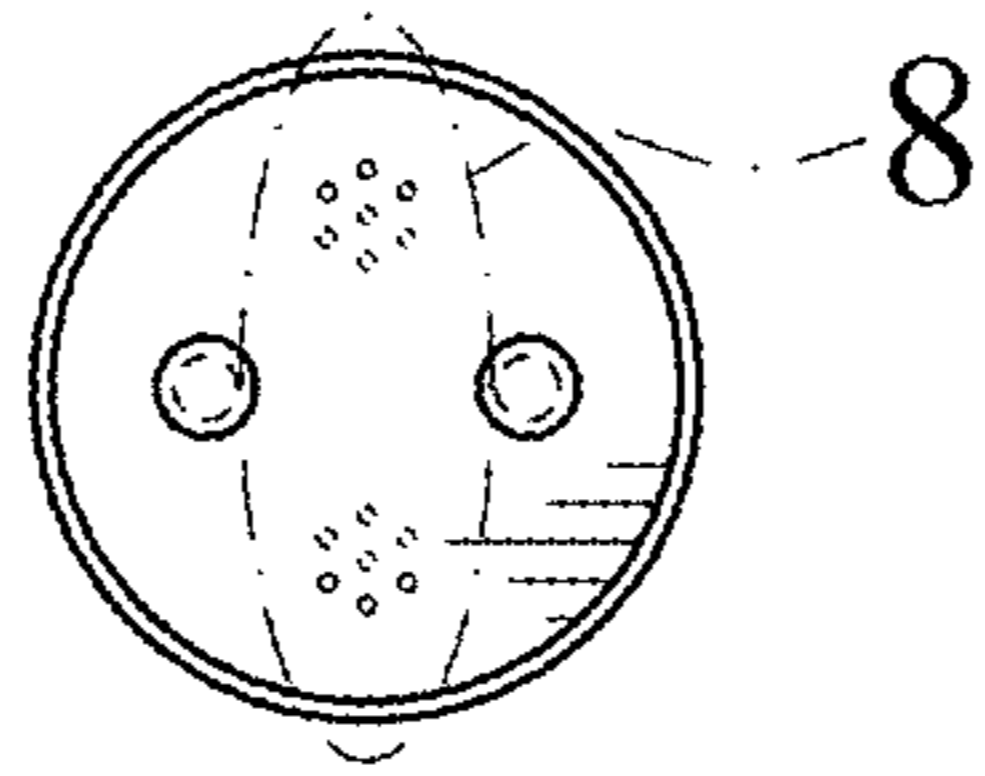


FIG. 6

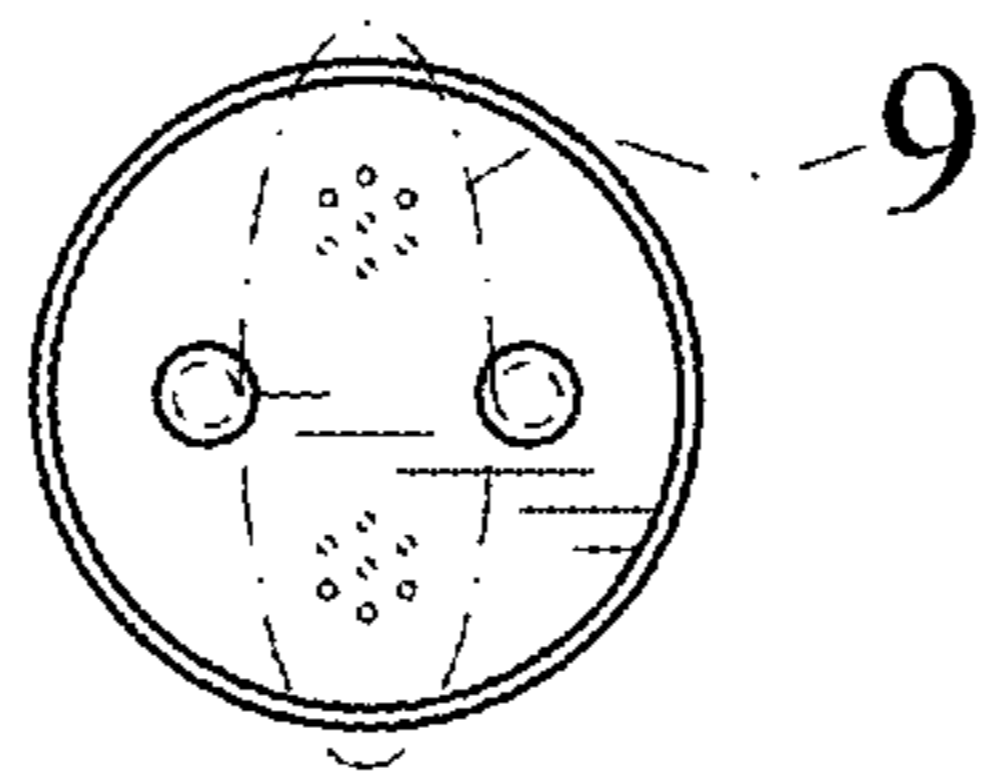


FIG. 7

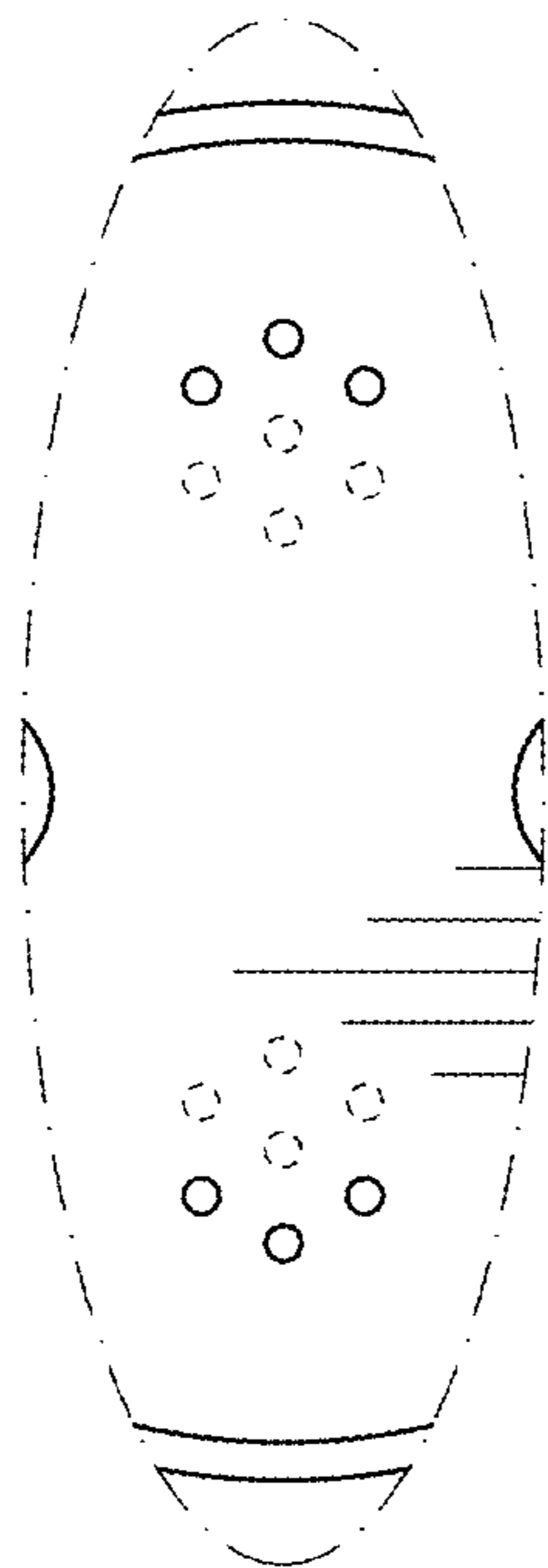


FIG. 8

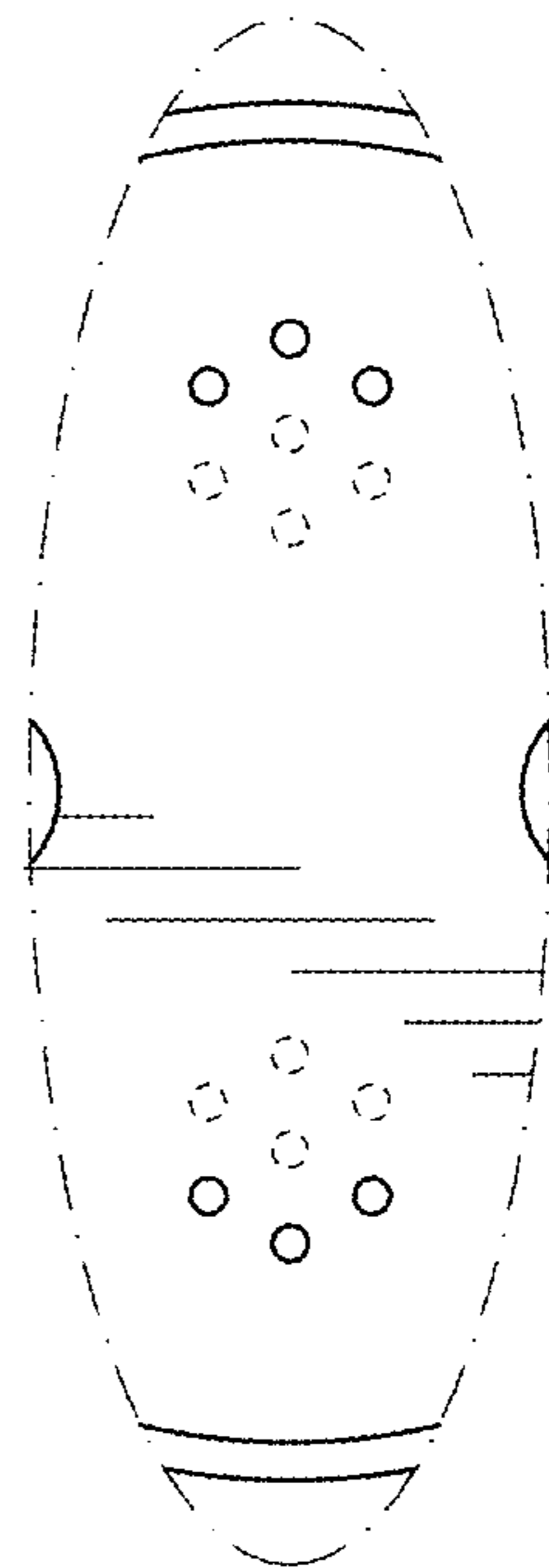


FIG. 9

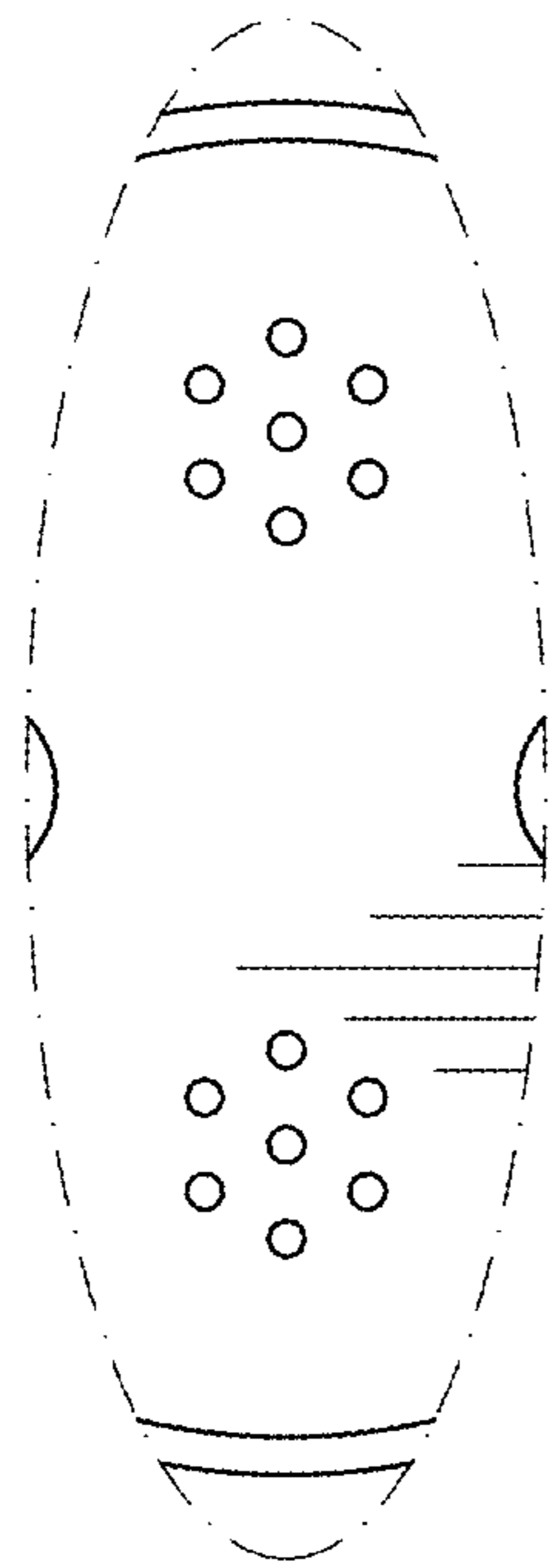


FIG. 10

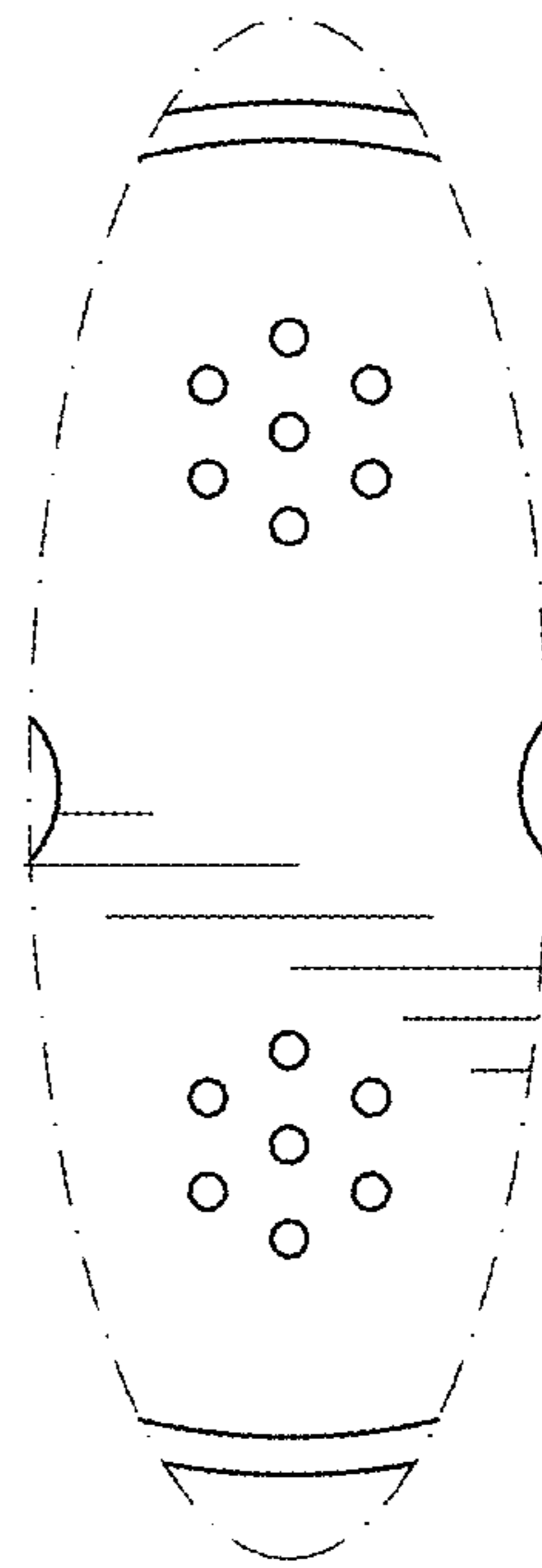


FIG. 11