



US00D910877S

(12) **United States Design Patent**
Bouchard et al.

(10) **Patent No.:** **US D910,877 S**

(45) **Date of Patent:** **** Feb. 16, 2021**

(54) **INTERLOCKING FOUNDATION
CONSTRUCTION BLOCK**

(71) Applicants: **Gary Bouchard**, Lexington, KY (US);
Erik Snyder, Murfreesboro, TN (US)

(72) Inventors: **Gary Bouchard**, Lexington, KY (US);
Erik Snyder, Murfreesboro, TN (US)

(73) Assignee: **Gary Bouchard**, Lexington, KY (US)

(**) Term: **15 Years**

(21) Appl. No.: **29/681,703**

(22) Filed: **Feb. 27, 2019**

(51) **LOC (13) Cl.** **25-01**

(52) **U.S. Cl.**
USPC **D25/113**

(58) **Field of Classification Search**
USPC D21/484-491, 499-504; D25/102,
D25/112-118, 125, 136
CPC E04B 2/32; E04B 2/56; E04B 2/70; E04B
2/702; E04B 2002/0208; E21F 17/103
See application file for complete search history.

(56) **References Cited**

U.S. PATENT DOCUMENTS

2,749,739 A * 6/1956 Zagray B28B 7/0079
52/286
D301,063 S * 5/1989 Risi D25/113

D305,938 S * 2/1990 Risi D25/113
D403,785 S * 1/1999 Risi D25/113
D512,162 S * 11/2005 Risi D25/113
D516,734 S * 3/2006 Keys D25/113
D774,661 S * 12/2016 Malpesa Guerrero D25/113
D833,645 S * 11/2018 Mohamed D25/113
D845,515 S * 4/2019 Ivosevich D25/113

* cited by examiner

Primary Examiner — Leanne Was-Englehart

(74) *Attorney, Agent, or Firm* — K&L Gates LLP

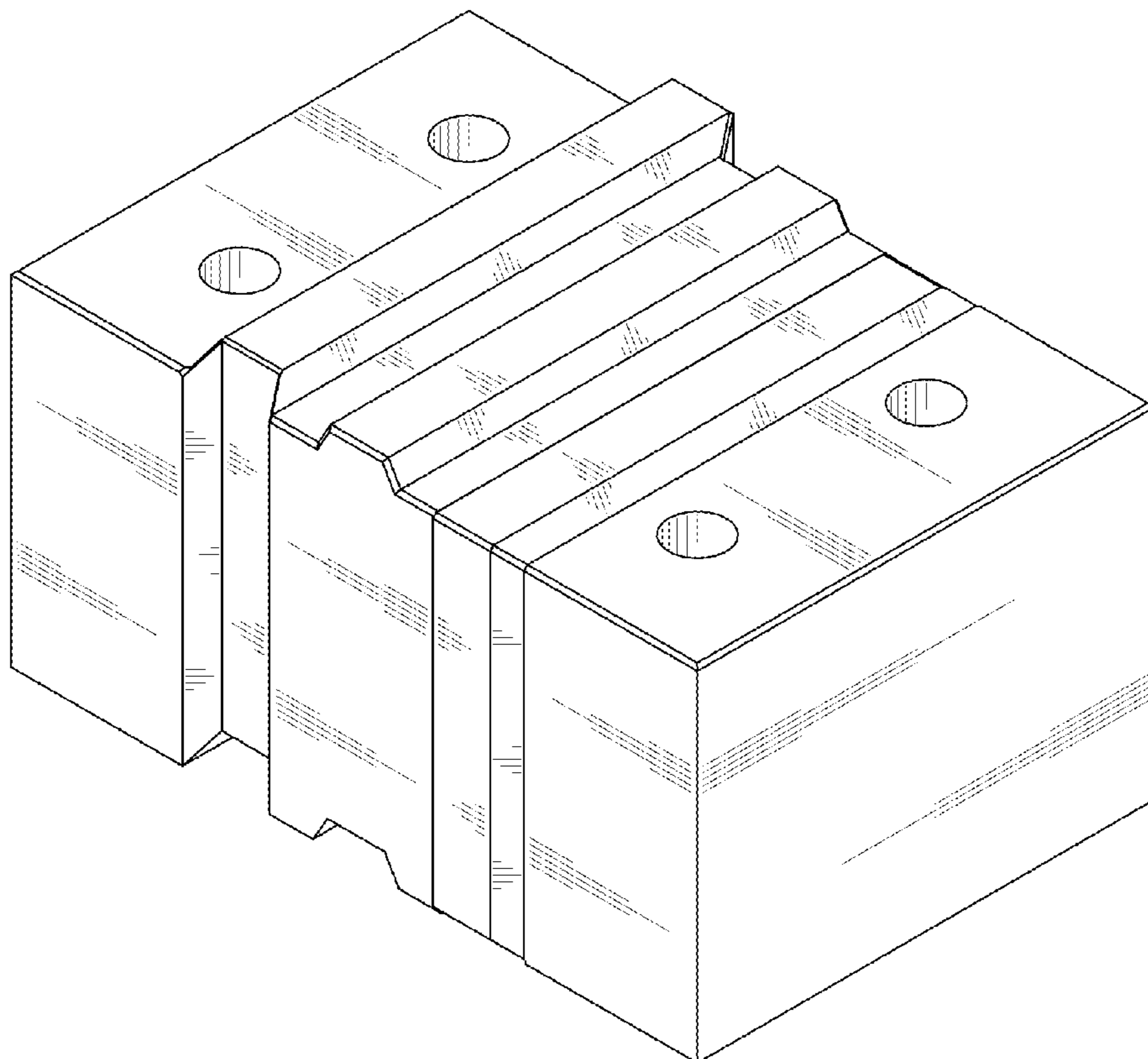
(57) **CLAIM**

The ornamental design for an interlocking foundation construction block, as shown and described.

DESCRIPTION

FIG. 1 is a right isometric view of an interlocking foundation construction block showing our new design;
FIG. 2 is a left isometric view thereof;
FIG. 3 is a top view thereof;
FIG. 4 is a bottom view thereof;
FIG. 5 is a front elevation view thereof, which is a mirror image of the back elevation view thereof; and,
FIG. 6 is a right side elevation view thereof, which is a mirror image of the left side elevation view thereof.

1 Claim, 4 Drawing Sheets



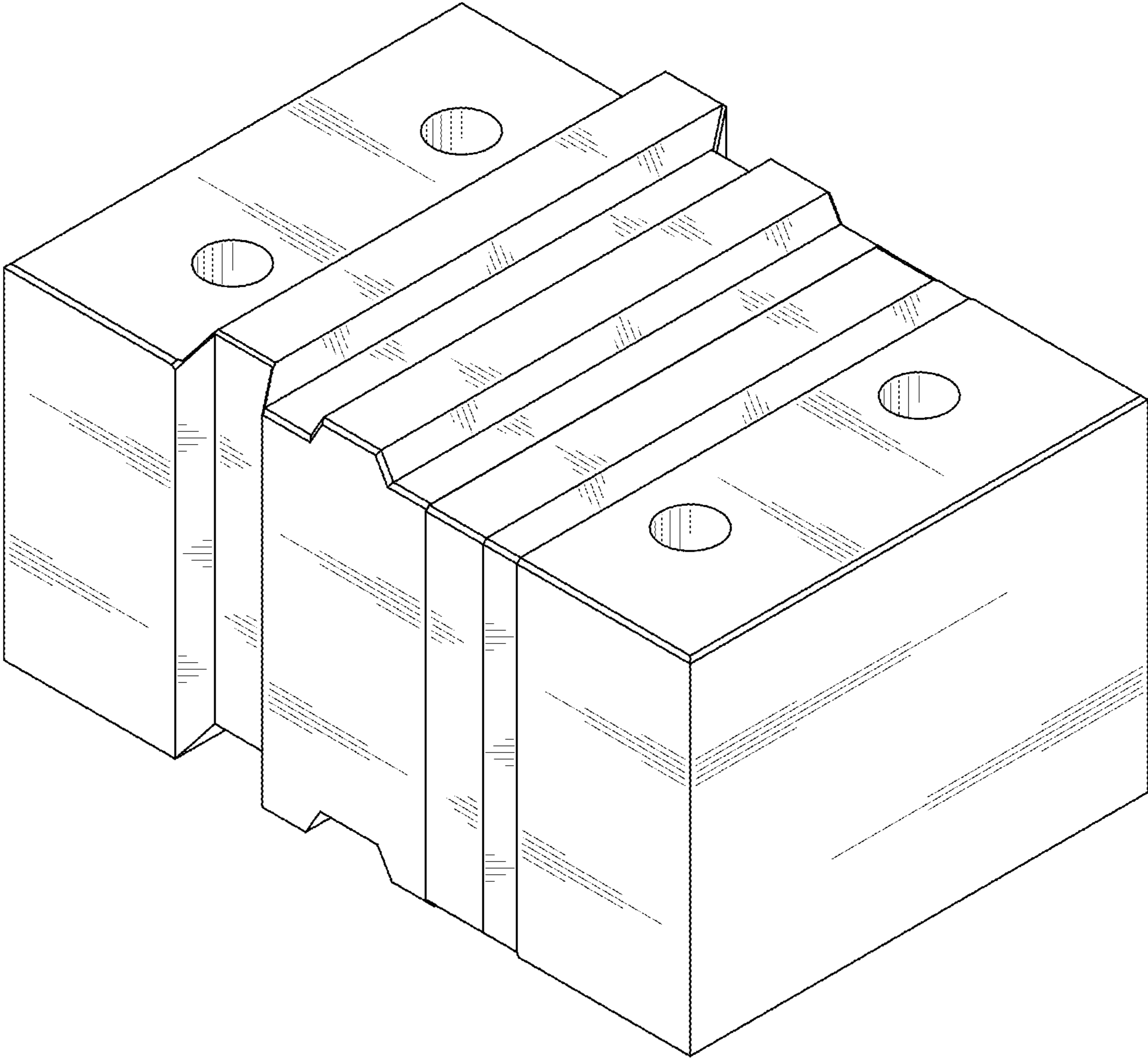


FIG. 1

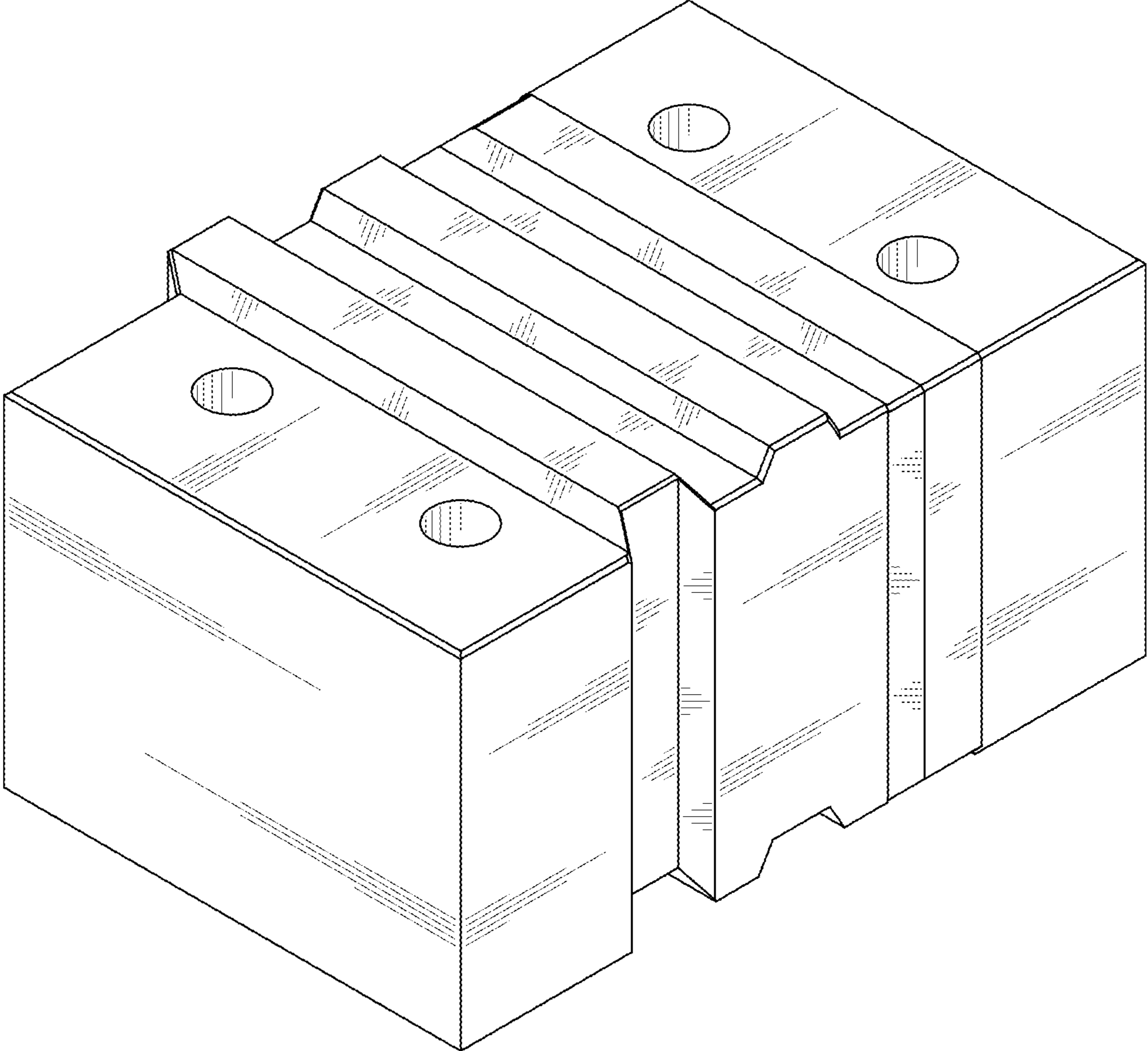


FIG. 2

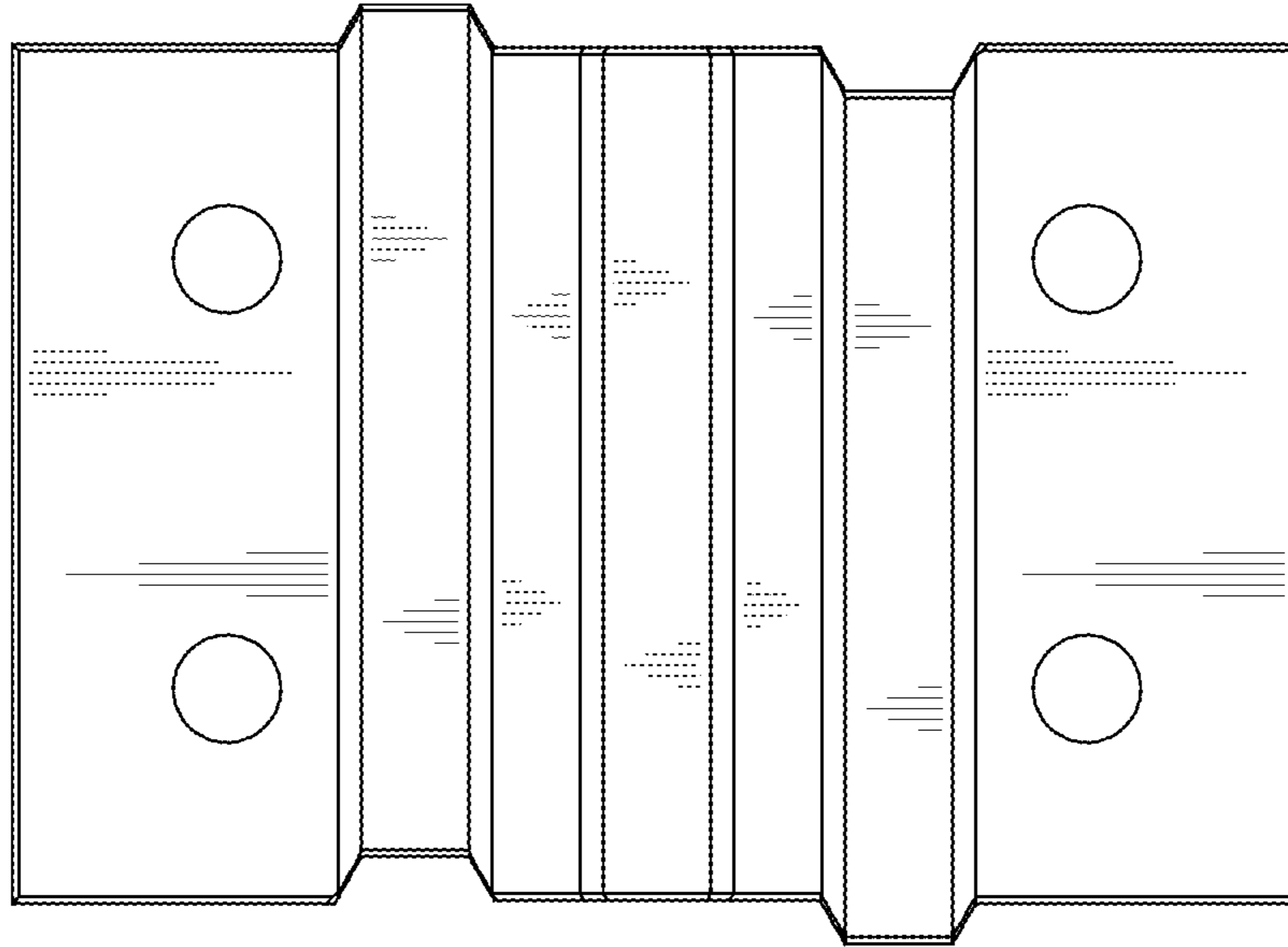


FIG. 3

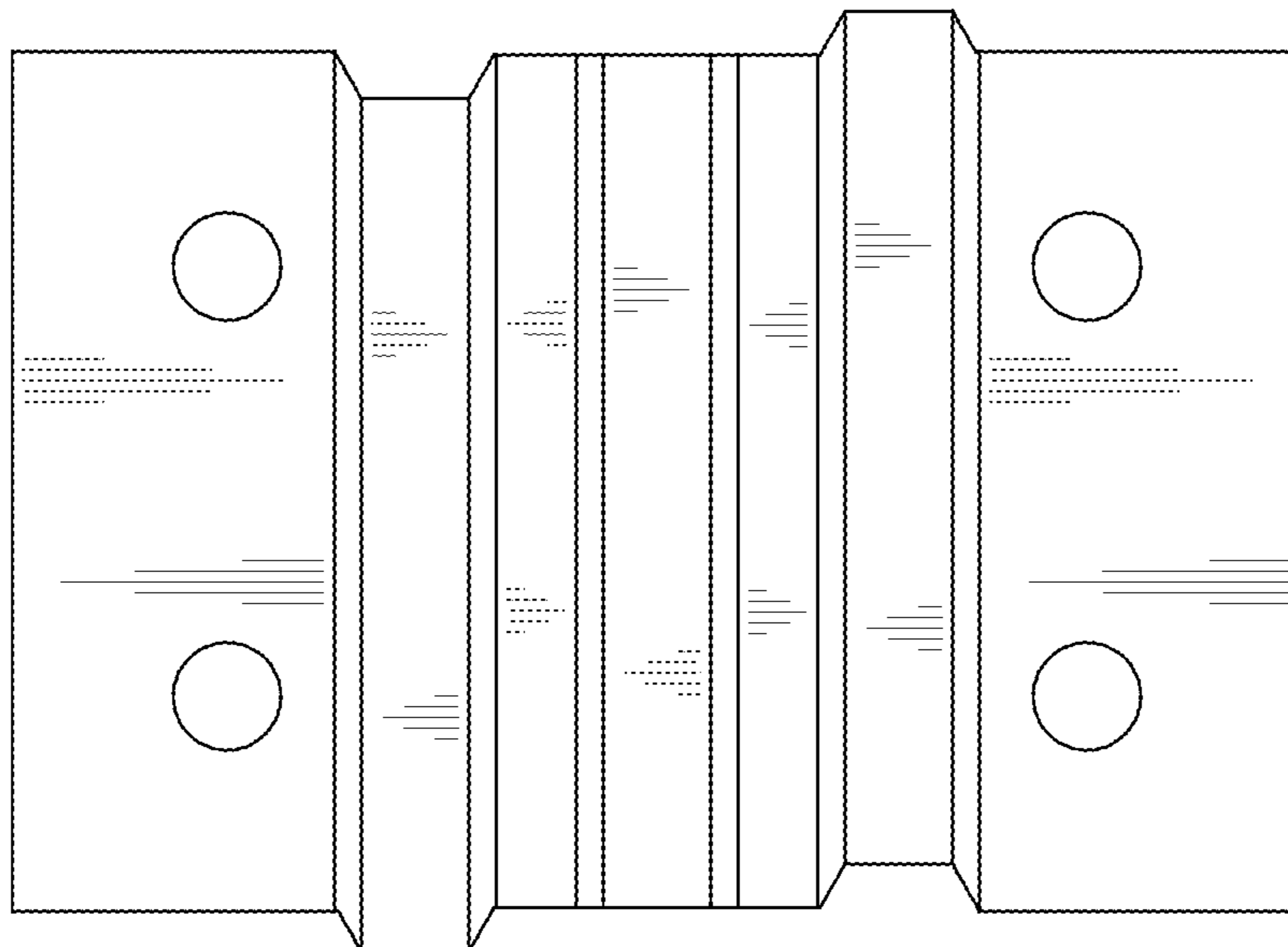


FIG. 4

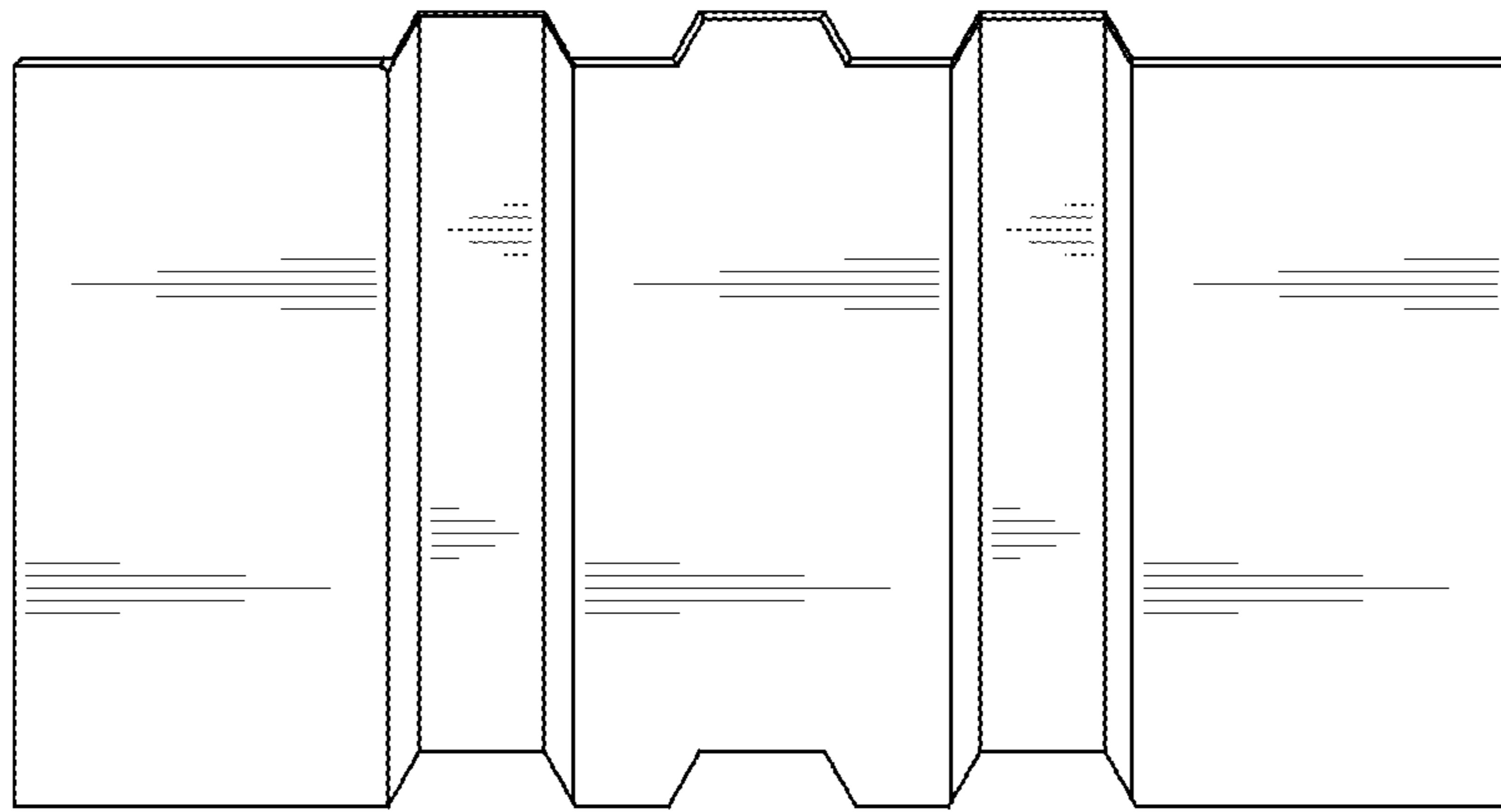


FIG. 5

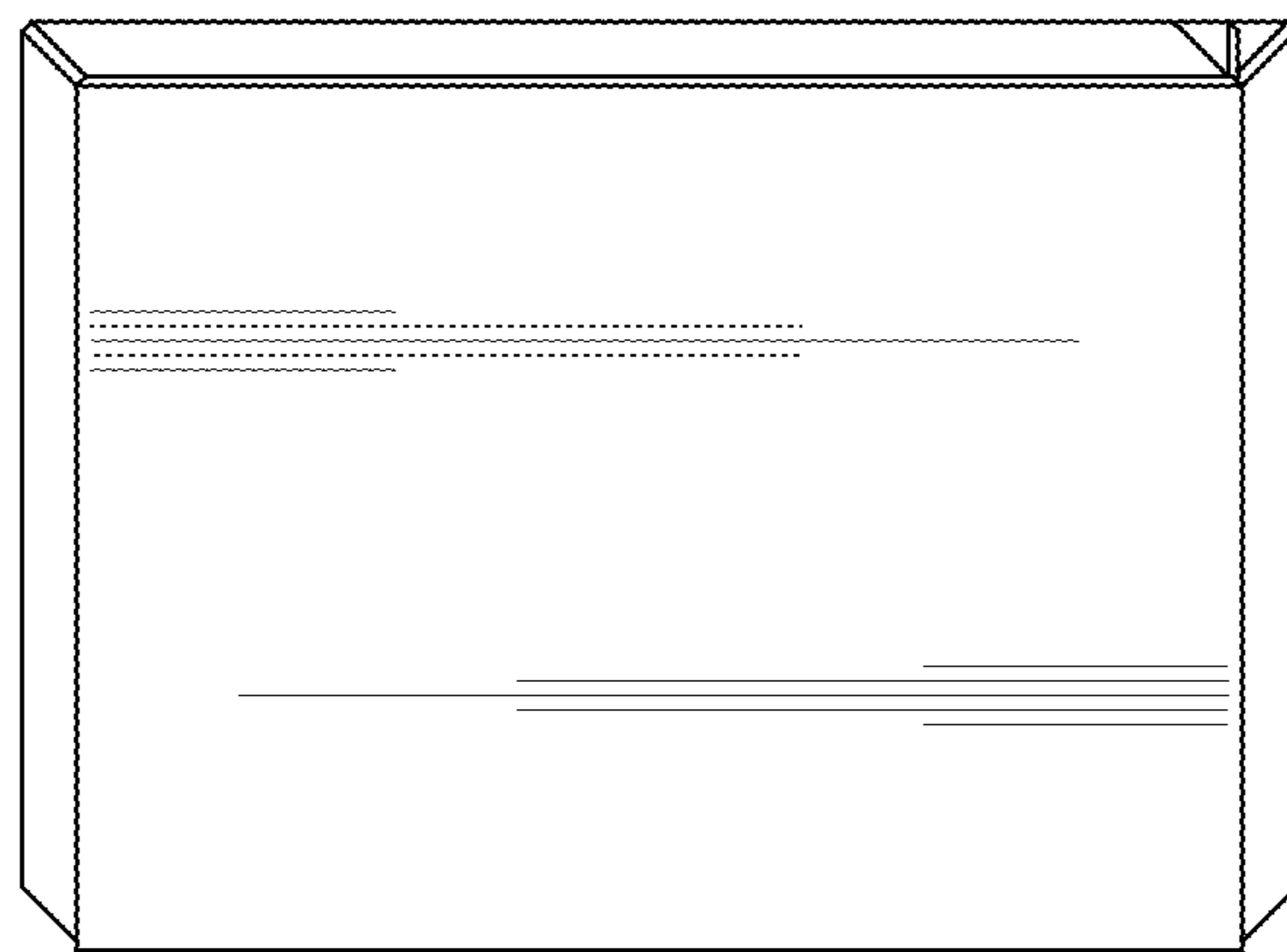


FIG. 6