



US00D910876S

(12) **United States Design Patent** (10) **Patent No.:** **US D910,876 S**  
**Christensen** (45) **Date of Patent:** **\*\* Feb. 16, 2021**

(54) **SECURITY DOOR GRILL**

D745,190 S \* 12/2015 Thomas ..... D25/48.8  
D848,027 S \* 5/2019 Lawson ..... D25/38.1  
D892,994 S \* 8/2020 Lieb ..... D23/305

(71) Applicant: **Larson Manufacturing Company of South Dakota, Inc.**, Brookings, SD (US)

FOREIGN PATENT DOCUMENTS

(72) Inventor: **Chante' Christensen**, Salt Lake City, UT (US)

CN 3290680 \* 4/2003

(73) Assignee: **Larson Manufacturing Company of South Dakota, Inc.**, Brookings, SD (US)

OTHER PUBLICATIONS

(\*\*) Term: **15 Years**

Larson Storm Doors Security Storm Doors <https://www.larsondoors.com/storm-doors/security-storm-doors> Available Jun. 21, 2020 (Year: 2020).  
King Metals—2019 Master Catalog, vol, 48, p. 21, King Architectural Metals, <https://www.kingmetalscatalog.com/>, 2 pages, copyright 2020.

(21) Appl. No.: **29/711,672**

\* cited by examiner

(22) Filed: **Nov. 1, 2019**

*Primary Examiner* — Leanne Was-Englehart

(51) **LOC (13) Cl.** ..... **25-02**

(74) *Attorney, Agent, or Firm* — Kagan Binder, PLLC

(52) **U.S. Cl.**  
USPC ..... **D25/48.8**

(57) **CLAIM**

(58) **Field of Classification Search**  
USPC ..... D25/48.1, 48.3, 48.8  
CPC ... E06B 5/11; E06B 5/116; E06B 7/08; E06B 7/088; E06B 7/09; E06B 9/04  
See application file for complete search history.

The ornamental design for a security door grill, as shown and described.

**DESCRIPTION**

(56) **References Cited**

U.S. PATENT DOCUMENTS

D204,314 S \* 4/1966 Bright ..... D5/1  
4,484,410 A \* 11/1984 English ..... E06B 9/04  
49/56  
4,791,762 A \* 12/1988 Hwang ..... E06B 9/01  
52/171.3  
D300,364 S \* 3/1989 Riegelman ..... D25/48.3  
D364,277 S \* 11/1995 Worrall ..... D25/152  
D490,539 S \* 5/2004 Heasley ..... D25/48.8  
D664,674 S \* 7/2012 Harvey ..... D25/48.8

FIG. 1 is a perspective view of a security door grill of our new design, with portions of the door structure and screen illustrated in broken lines to provide environmental structure;

FIG. 2 is a front elevation view thereof;

FIG. 3 is a rear elevation view thereof;

FIG. 4 is a right side view thereof;

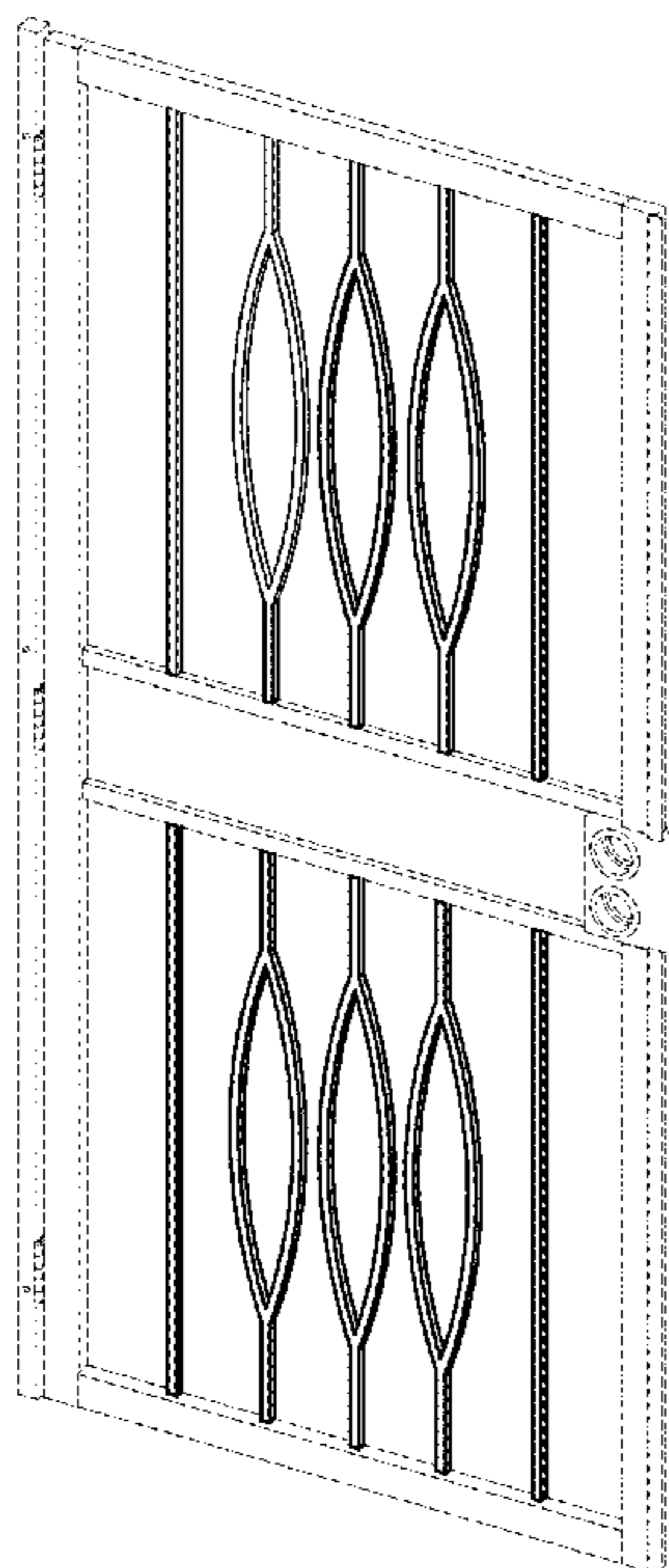
FIG. 5 is a left side view thereof;

FIG. 6 is a bottom view thereof; and,

FIG. 7 is a top view thereof.

The broken lines depict portions of the security door grill that form no part of the claimed design.

**1 Claim, 7 Drawing Sheets**



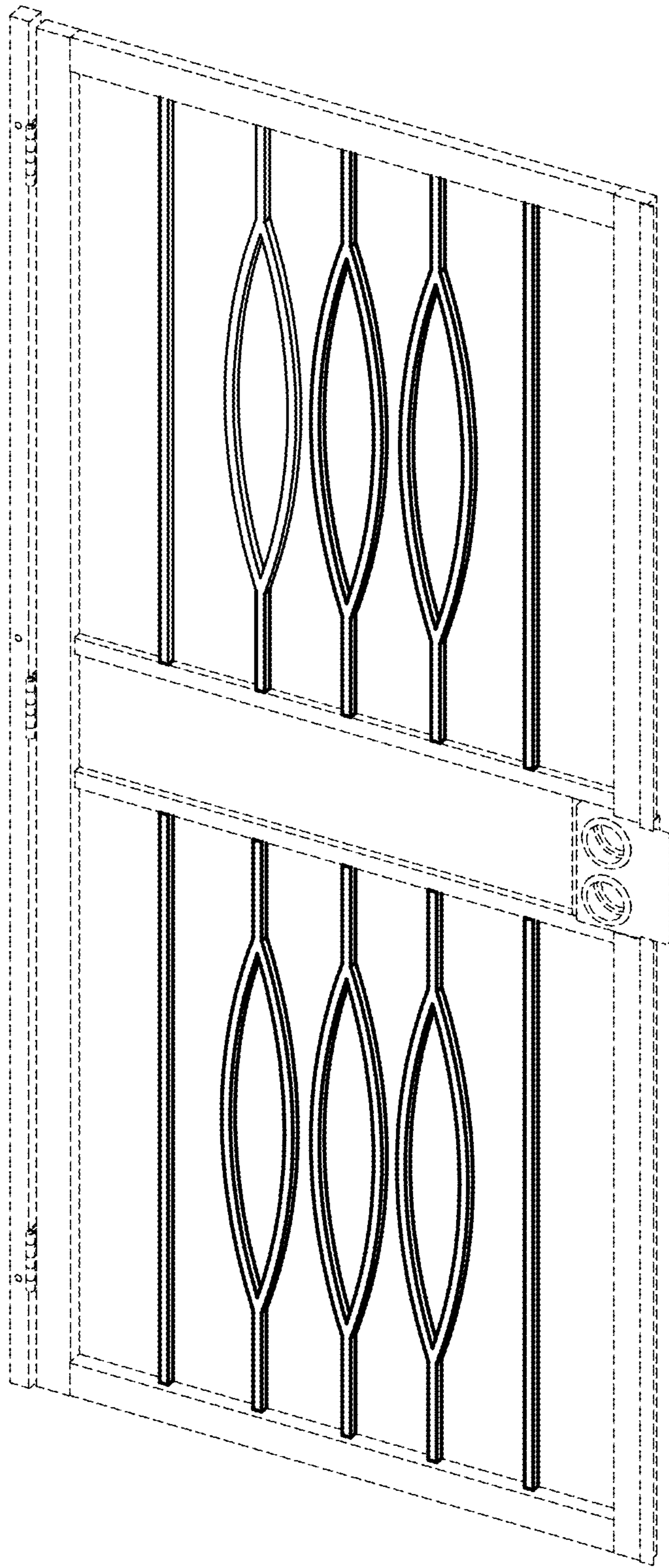


Fig. 1

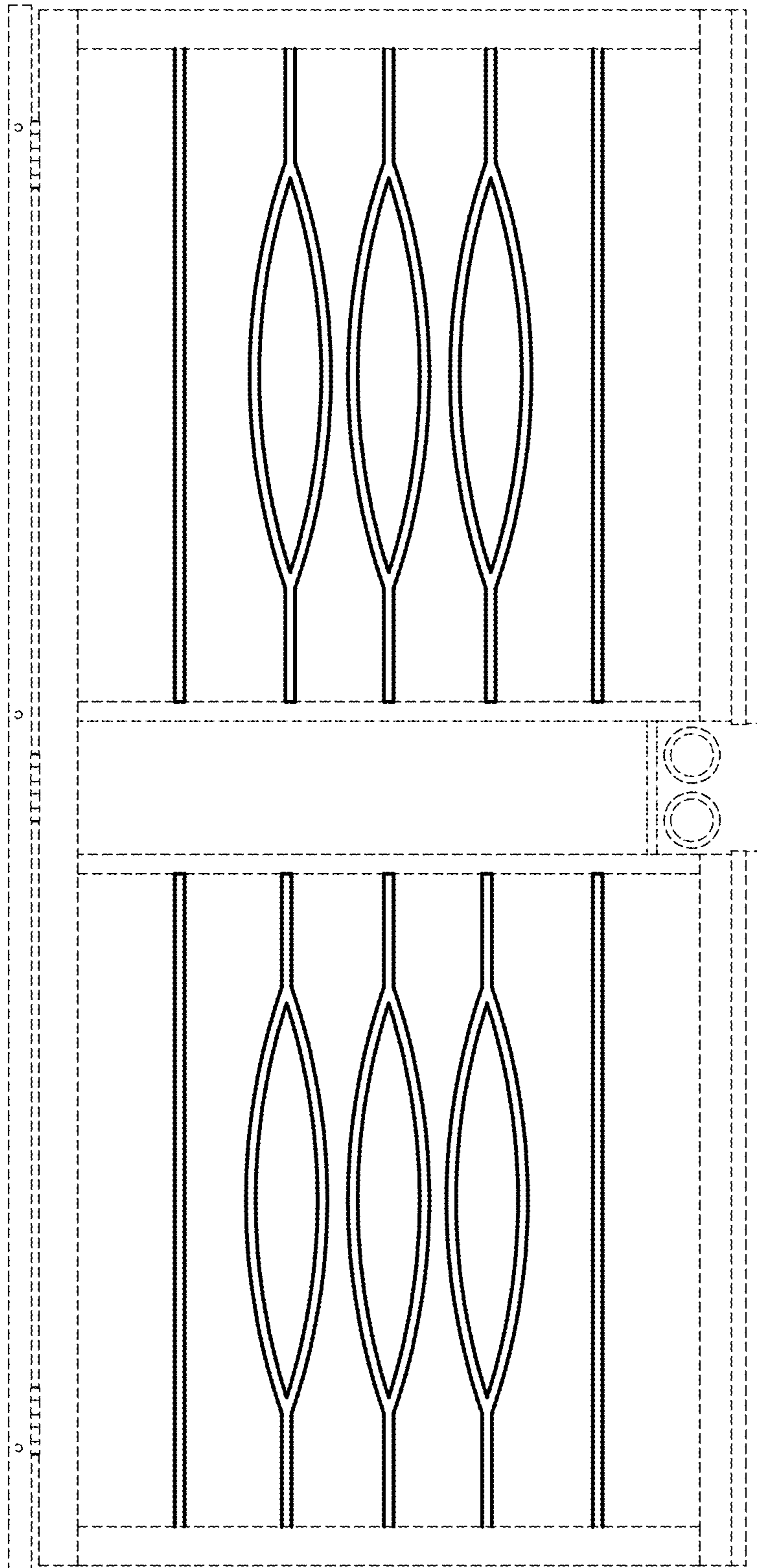


Fig. 2

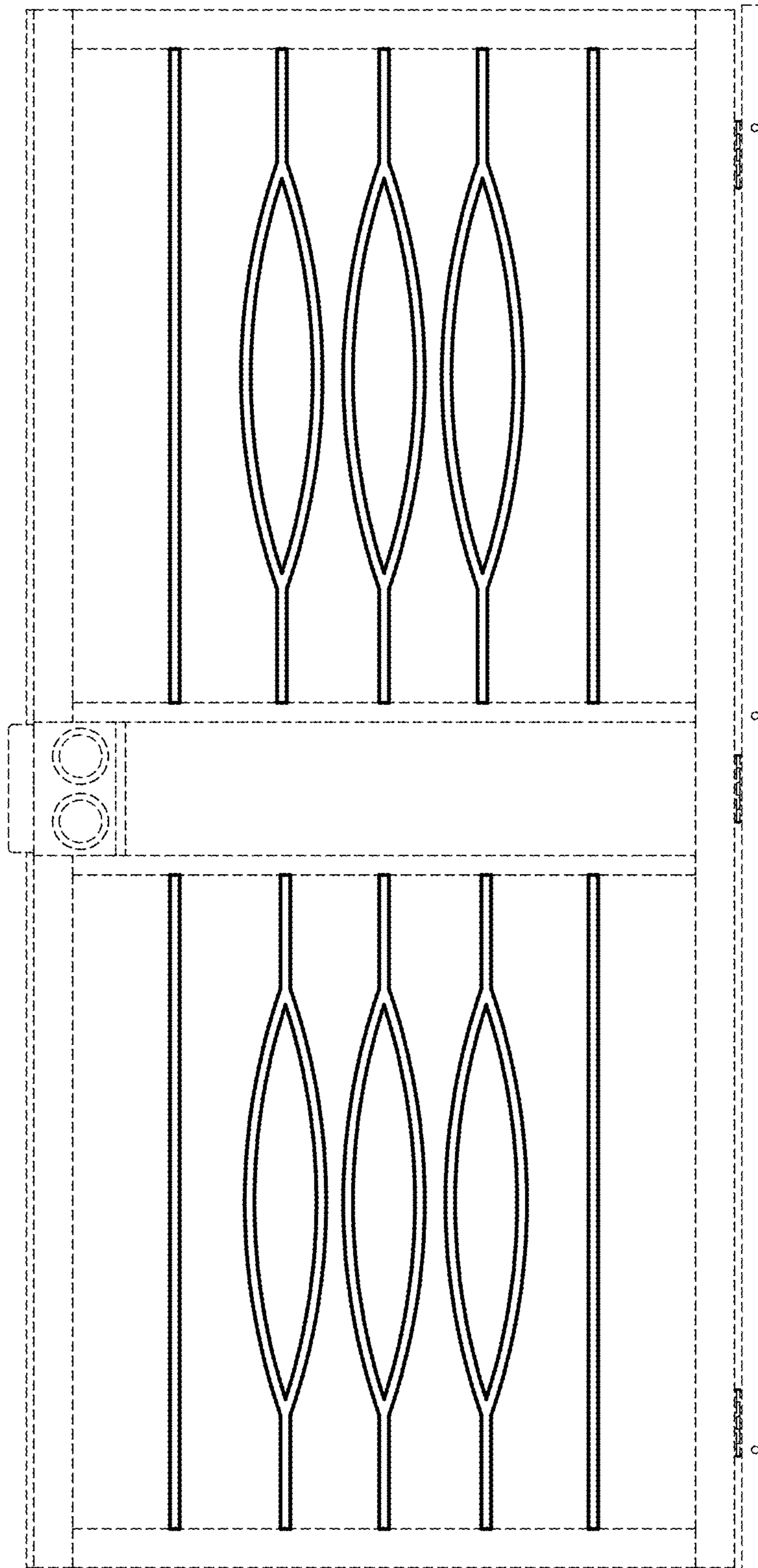


Fig. 3



Fig. 4

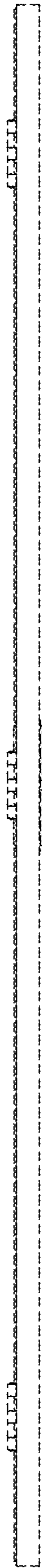


Fig. 5

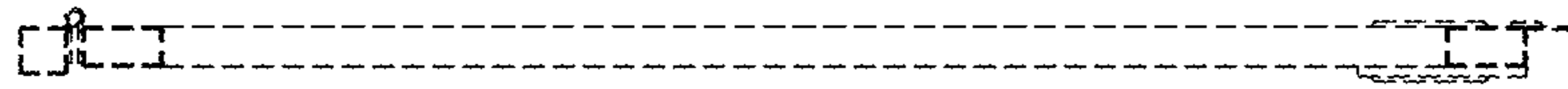


Fig. 6

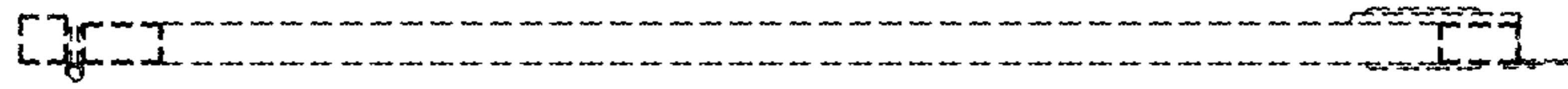


Fig. 7