



US00D910870S

(12) **United States Design Patent** (10) **Patent No.:** **US D910,870 S**
Marton et al. (45) **Date of Patent:** **** Feb. 16, 2021**

(54) **APPLICATOR HEAD FOR PERCUSSIVE MASSAGE DEVICE**

D741,502 S * 10/2015 Gomez D24/215
D758,603 S * 6/2016 Phillips D24/215
D762,309 S * 7/2016 Cohen D24/211

(Continued)

(71) Applicant: **HYPER ICE, INC.**, Irvine, CA (US)

FOREIGN PATENT DOCUMENTS

(72) Inventors: **Robert Marton**, Yorba Linda, CA (US); **Anthony Katz**, Laguna Niguel, CA (US)

CN 303323097 S 8/2015
CN 304851049 S 10/2018

(Continued)

(73) Assignee: **Hyper Ice, Inc.**, Irvine, CA (US)

OTHER PUBLICATIONS

(**) Term: **15 Years**

Amazon, "Hypervolt Massage Gun", Sep. 7, 2018. https://www.amazon.com/Hyperice-Hypervolt-Portable-Massage-Device/dp/B07BDLGRTN/ref=cm_cr_ar_p_d_product_top?ie=UTF8. Shown on p. 1. (Year: 2018).*

(21) Appl. No.: **29/695,481**

(Continued)

(22) Filed: **Jun. 19, 2019**

(51) **LOC (13) Cl.** **28-03**

(52) **U.S. Cl.**
USPC **D24/215**

(58) **Field of Classification Search**
USPC D24/200, 211, 212, 213, 214, 215;
D8/378
CPC A61H 1/00; A61H 7/002; A61H 7/003;
A61H 7/007

See application file for complete search history.

Primary Examiner — Cynthia Ramirez

Assistant Examiner — Michael A Maharajh

(74) *Attorney, Agent, or Firm* — Patterson Intellectual Property Law, P.C.; Jerry Turner Sewell

(56) **References Cited**

(57) **CLAIM**

The ornamental design for an applicator head for percussive massage device, as shown and described.

U.S. PATENT DOCUMENTS

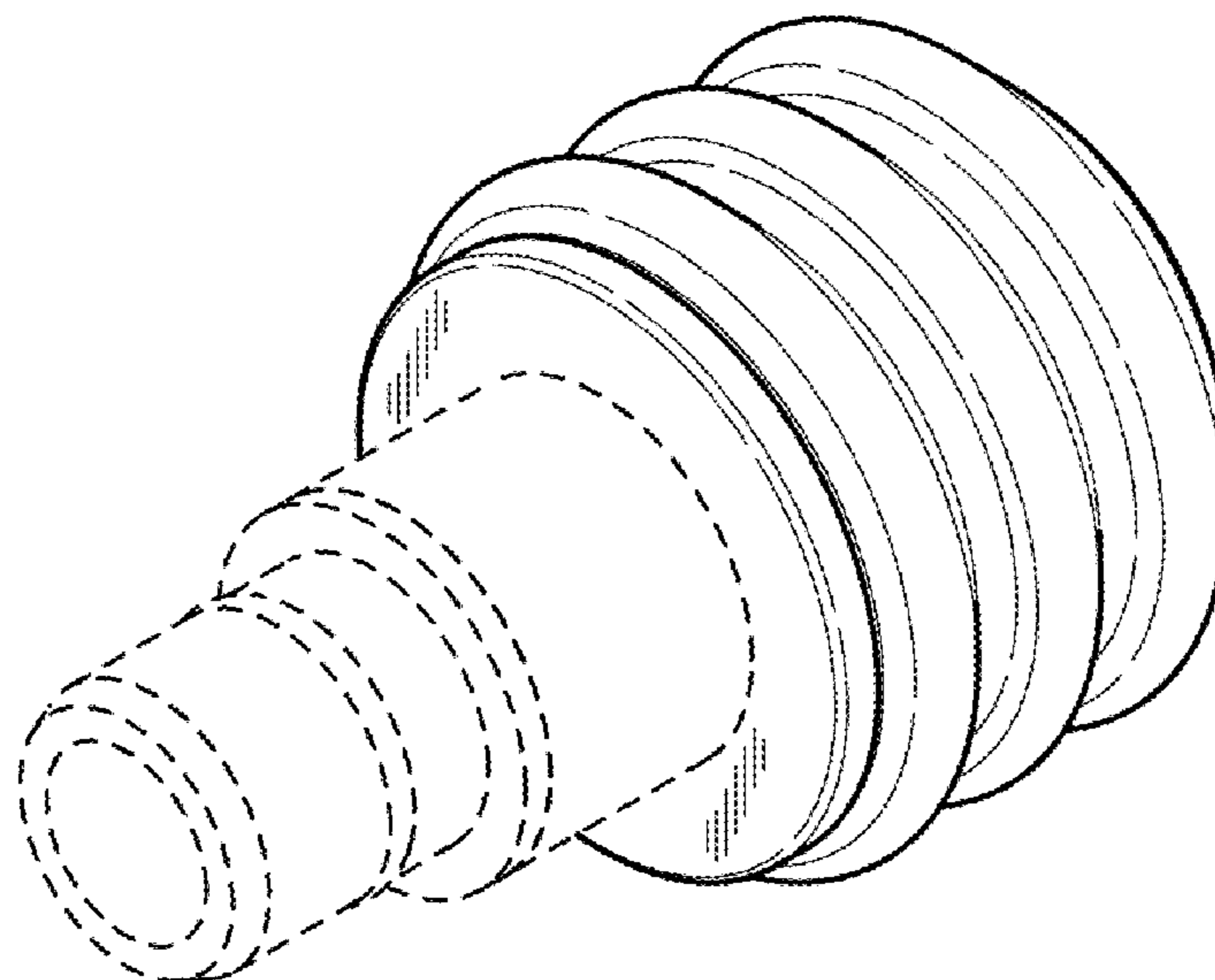
DESCRIPTION

D357,322 S * 4/1995 Matthews D24/200
D378,539 S * 3/1997 Scott D24/211
D403,076 S 12/1998 York
D403,428 S * 12/1998 Russo D24/200
D604,860 S * 11/2009 Wu D24/215
D607,116 S * 12/2009 Morganstern D24/211
D627,080 S * 11/2010 Fuster D24/215
D638,134 S * 5/2011 Nikitezuk D24/215
D665,915 S * 8/2012 Ma D24/215
D667,131 S * 9/2012 Faussett D24/215
D695,414 S * 12/2013 Matsuura D24/215
D718,461 S * 11/2014 Sato D24/215
D719,273 S * 12/2014 Chen D24/215
D719,274 S * 12/2014 Chen D24/215

FIG. 1 is a front perspective view of an applicator head for percussive massage device, showing our new design; FIG. 2 is a rear perspective view thereof; FIG. 3 is a top plan view thereof, the bottom plan view, the left side view and the right side view being identical thereto; FIG. 4 is front view thereof; and, FIG. 5 is a rear view thereof.

In FIGS. 1-5, broken lines show portions of the applicator head for percussive massage device which form no part of the claimed design.

1 Claim, 1 Drawing Sheet



(56)

References Cited

U.S. PATENT DOCUMENTS

D768,305 S * 10/2016 Ho D24/200
 D774,655 S * 12/2016 Ho D24/200
 D775,362 S * 12/2016 Ho D24/200
 D791,958 S * 7/2017 Ho D24/200
 D795,443 S * 8/2017 Ho D24/200
 D820,992 S * 6/2018 King D24/200
 D829,334 S 9/2018 Hardof
 D830,566 S * 10/2018 Bookhamer D24/211
 D830,569 S * 10/2018 Solomon D24/215
 D844,800 S * 4/2019 Ehret D24/215
 D849,260 S 5/2019 Wersland et al.
 D850,639 S * 6/2019 Wersland D24/211
 D850,640 S * 6/2019 Wersland D24/211
 D861,912 S * 10/2019 Ehret D24/215
 D864,409 S * 10/2019 Ehret D24/215
 D865,987 S * 11/2019 Jacobs D24/214
 D870,908 S * 12/2019 Hyder A61H 15/00
 D24/211

D876,658 S * 2/2020 Matsuura D24/215
 D880,869 S * 4/2020 Li D4/100
 D883,503 S * 5/2020 Pasquale D24/211
 D890,942 S * 7/2020 Wersland D24/211
 D890,943 S * 7/2020 Wersland D24/211
 2019/0015294 A1 1/2019 Nazarian et al.
 2020/0129372 A1* 4/2020 Tseng A61H 23/00

FOREIGN PATENT DOCUMENTS

CN 305089231 S 3/2019
 TW M511855 U 11/2015

OTHER PUBLICATIONS

Hyper Ice, "Hypervolt Applicator Set", Sep. 2, 2020. <https://hyperice.com/hypervolt-applicator-set>. Shown on p. 1. (Year: 2020).*
 Taiwan IPO Search Report for corresponding Taiwan Design Patent Application No. 108307864 (and translation).

* cited by examiner

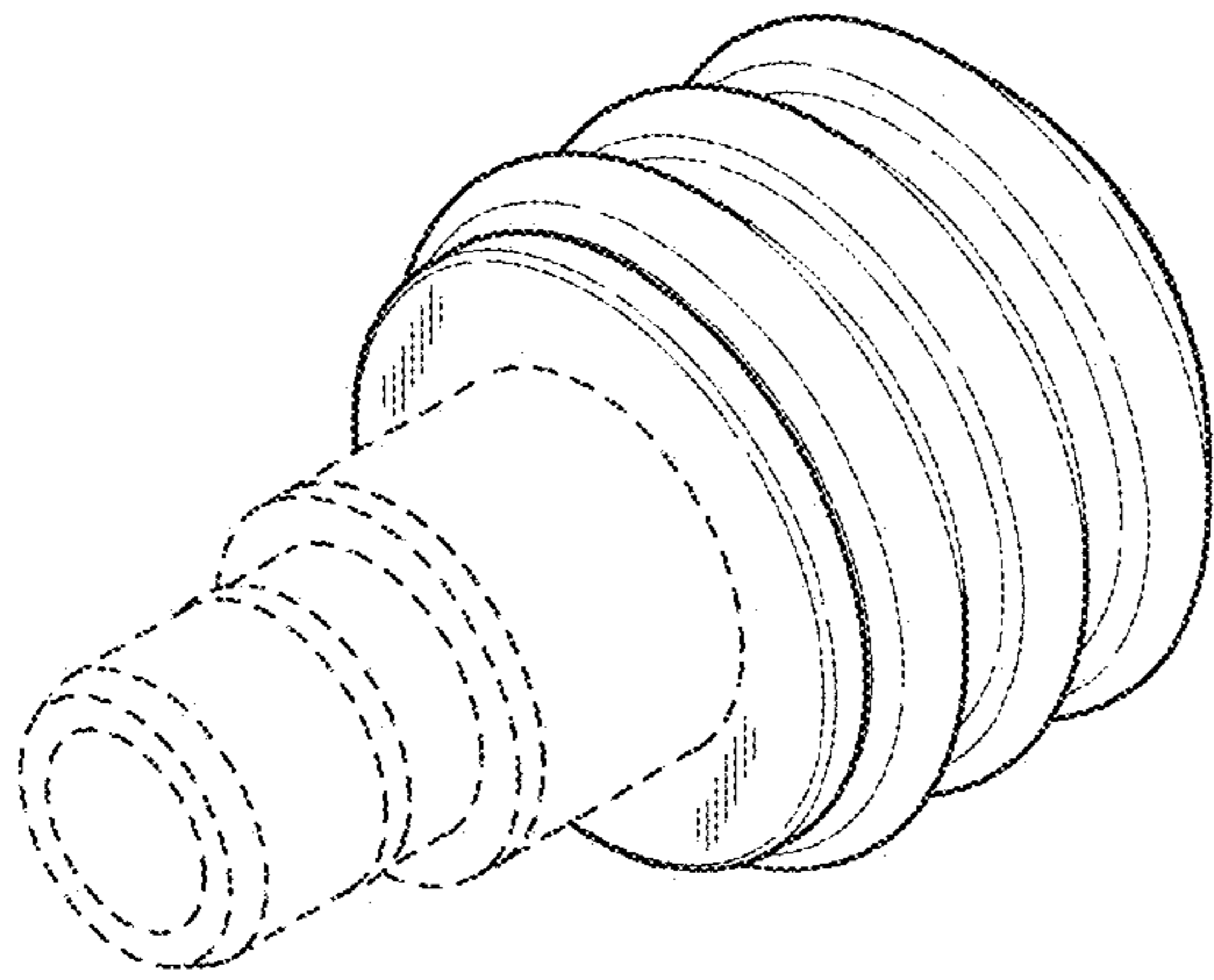


FIG. 1

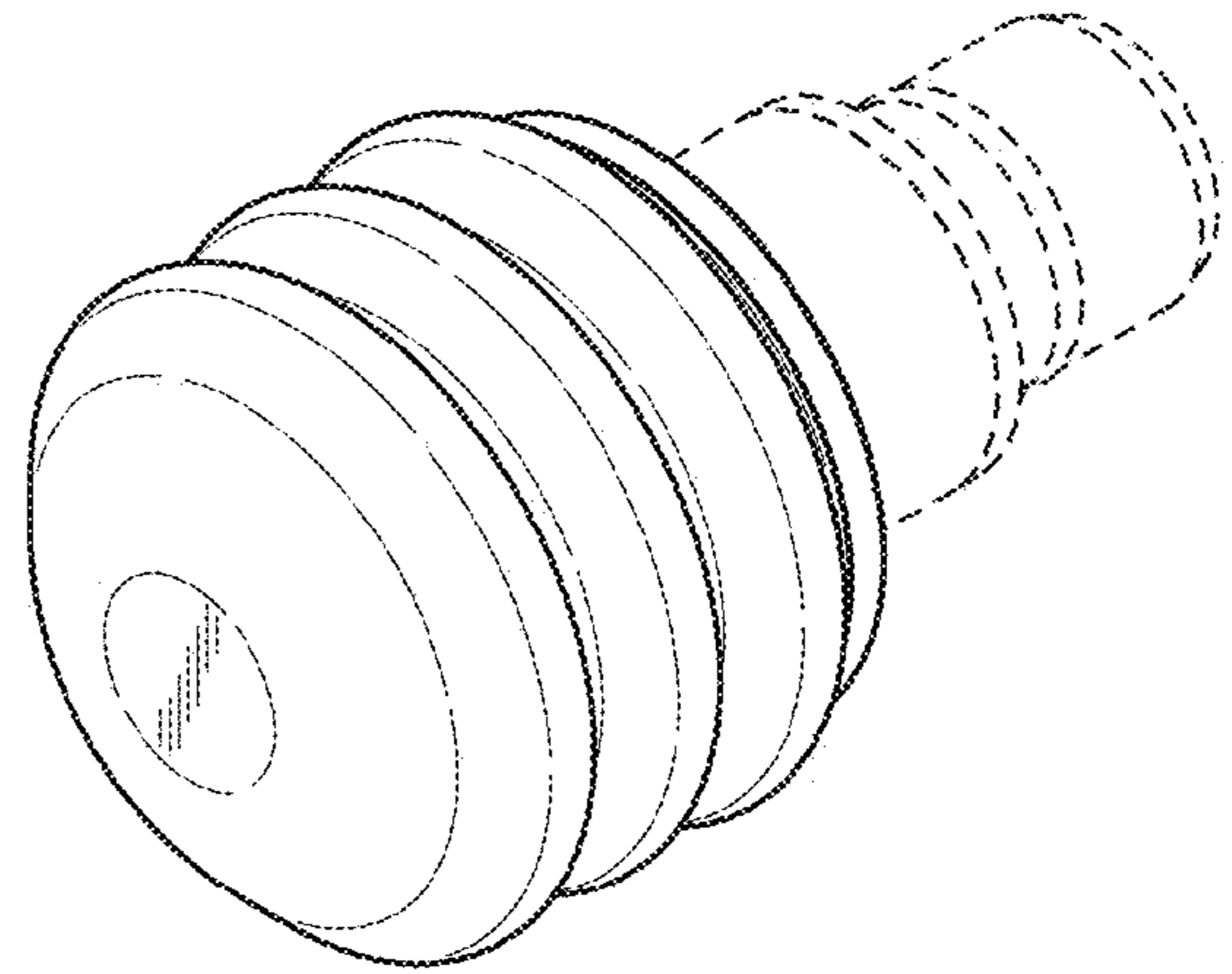


FIG. 2

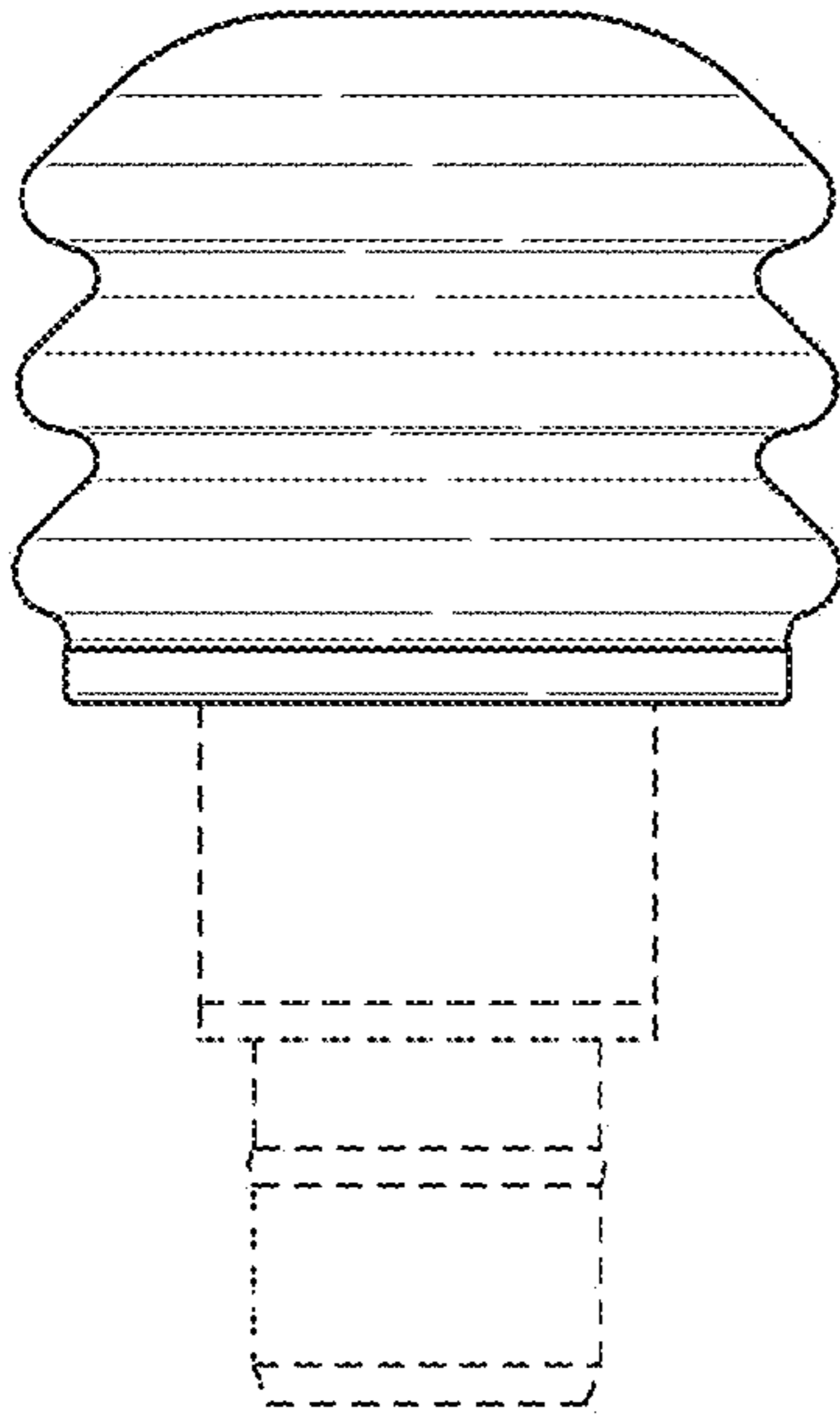


FIG. 3

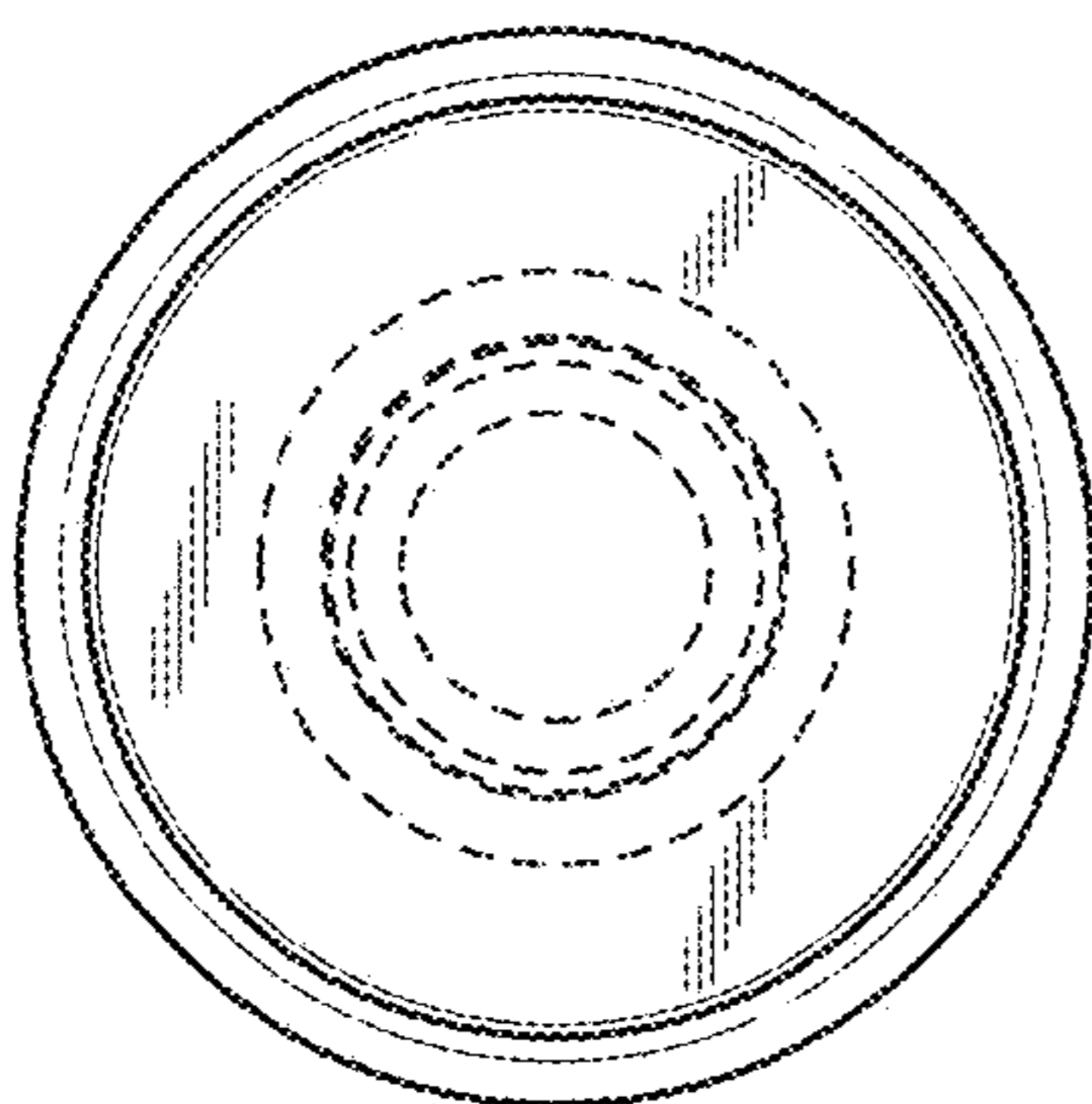


FIG. 4

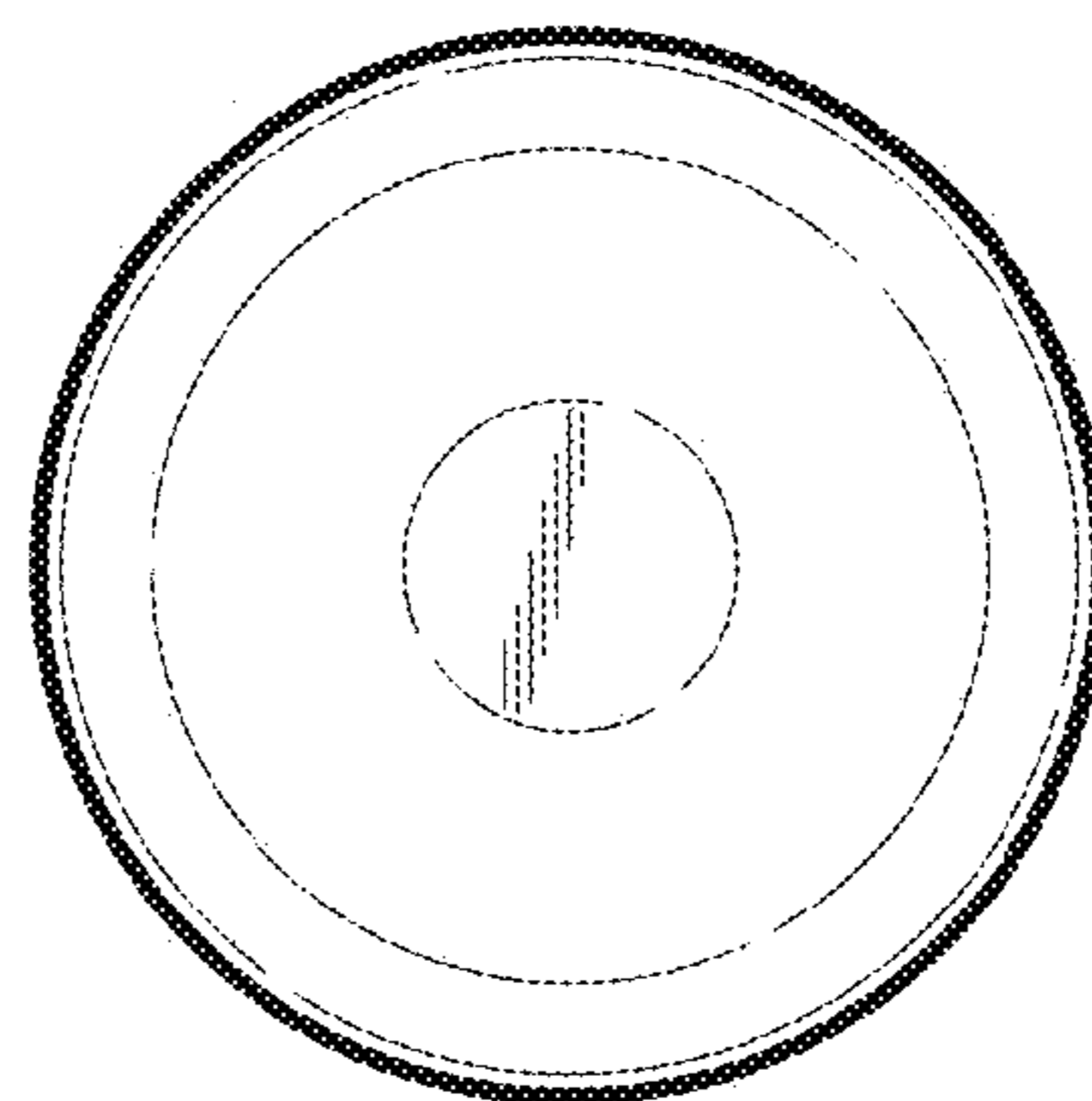


FIG. 5