



US00D910868S

(12) **United States Design Patent**
Stewart et al.

(10) **Patent No.:** **US D910,868 S**

(45) **Date of Patent:** **** Feb. 16, 2021**

(54) **VIBRATOR**

(71) Applicant: **TJ Creative, Inc.**, Huntington Beach,
CA (US)

(72) Inventors: **Tom Stewart**, Laguna Hills, CA (US);
Chaney Cox, Los Angeles, CA (US);
Karina Figueroa, Seal Beach, CA (US)

(**) Term: **15 Years**

(21) Appl. No.: **29/684,006**

(22) Filed: **Mar. 18, 2019**

(51) **LOC (13) Cl.** **28-03**

(52) **U.S. Cl.**
USPC **D24/215**

(58) **Field of Classification Search**
USPC D24/200, 211, 212, 213, 214, 215
CPC A61H 1/00; A61H 7/001; A61H 7/007;
A61H 19/40; A61H 2205/087; A61H
21/00; A61H 19/34
See application file for complete search history.

(56) **References Cited**

U.S. PATENT DOCUMENTS

| | | | | |
|--------------|---------|------------|-------|---------|
| D350,397 S * | 9/1994 | Bruno | | D24/214 |
| D350,608 S * | 9/1994 | Yu | | D24/211 |
| D406,847 S * | 3/1999 | Gerba | | D14/218 |
| D474,843 S * | 5/2003 | McQueen | | D24/215 |
| D485,910 S * | 1/2004 | Chan | | D24/215 |
| D486,234 S * | 2/2004 | Chernyshev | | D24/200 |
| D487,592 S * | 3/2004 | Chang | | D24/215 |
| D495,801 S * | 9/2004 | Kim | | D24/200 |
| D545,446 S * | 6/2007 | Wu | | D24/215 |
| D546,962 S * | 7/2007 | Wu | | D24/215 |
| D546,963 S * | 7/2007 | Wu | | D24/215 |
| D546,964 S * | 7/2007 | Wu | | D24/215 |
| D603,336 S * | 11/2009 | Nan | | D13/119 |
| D621,387 S * | 8/2010 | Hansen | | D14/218 |
| D629,118 S * | 12/2010 | Yeo | | D24/214 |
| D629,528 S * | 12/2010 | Adkisson | | D24/215 |
| D637,729 S * | 5/2011 | Tompkin | | D24/215 |

| | | | | |
|--------------|--------|-----------|-------|---------|
| D674,108 S * | 1/2013 | York | | D24/215 |
| D681,222 S * | 4/2013 | Chen | | D24/215 |
| D681,839 S * | 5/2013 | Nathanson | | D24/200 |
| D723,178 S * | 2/2015 | Chen | | D24/215 |
| D732,682 S * | 6/2015 | Porat | | D24/215 |
| D756,528 S * | 5/2016 | Grant | | D24/214 |
| D759,263 S * | 6/2016 | Chen | | D24/215 |

(Continued)

OTHER PUBLICATIONS

Amazon, "XANGLO_Women Wand" Sep. 16, 2020. https://www.amazon.com/dp/B08J7V88DT/ref=sr_1_106?dchild=1&keywords=g+spot+egg+vibrator&qid=1600272325&sr=8-106. Shown on p. 1. (Year: 2020).*

Primary Examiner — Cynthia Ramirez

Assistant Examiner — Michael A Maharajh

(74) *Attorney, Agent, or Firm* — McDonald Hopkins
LLC; James P. Muraff

(57) **CLAIM**

The ornamental design for a vibrator, as shown and described.

DESCRIPTION

FIG. 1 is a front perspective view of the design for a vibrator. FIG. 2 is a rear perspective view of the design shown in FIG. 1.

FIG. 3 is a front view of the design shown in FIG. 1.

FIG. 4 is a rear view of the design shown in FIG. 1.

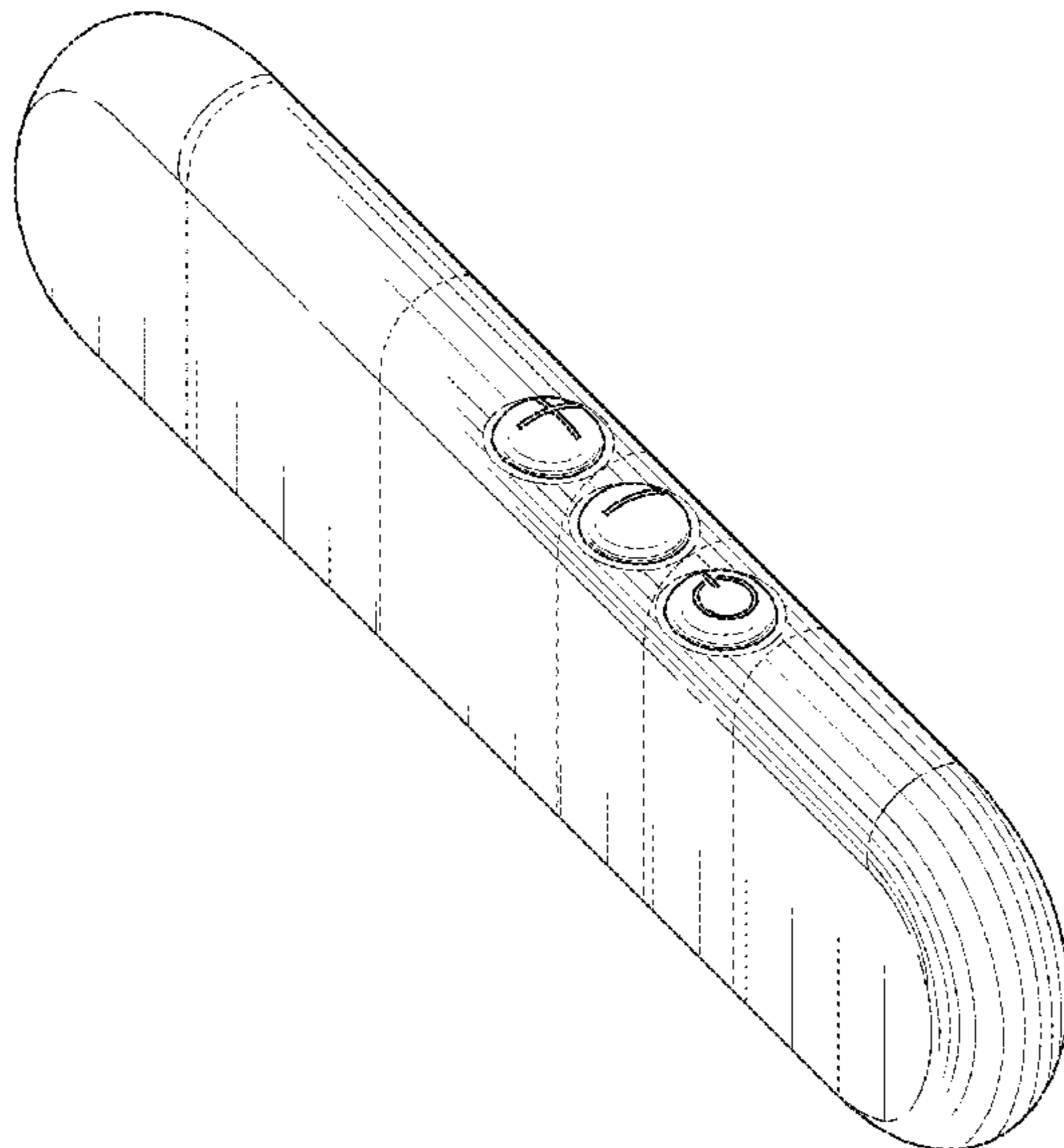
FIG. 5 is a top view of the design shown in FIG. 1.

FIG. 6 is a bottom view of the design shown in FIG. 1.

FIG. 7 is an end view of the design shown in FIG. 1; and, FIG. 8 is an end view, opposite that shown in FIG. 7, of the design shown in FIG. 1.

The broken lines shown in the figures are for the purpose of illustrating portions of the vibrator, which form part of the claimed design.

1 Claim, 4 Drawing Sheets



(56)

References Cited

U.S. PATENT DOCUMENTS

| | | | | | | |
|--------------|----|---|---------|----------|-------|------------|
| D795,444 | S | * | 8/2017 | Chen | | D24/215 |
| D813,407 | S | * | 3/2018 | Chen | | D24/215 |
| D813,408 | S | * | 3/2018 | Chen | | D24/215 |
| D829,182 | S | * | 9/2018 | Li | | D13/168 |
| D842,488 | S | * | 3/2019 | Gan | | D24/215 |
| D842,490 | S | * | 3/2019 | Gan | | D24/215 |
| D853,572 | S | * | 7/2019 | Yi | | D24/200 |
| D856,525 | S | * | 8/2019 | Dunham | | D24/215 |
| D858,464 | S | * | 9/2019 | Li | | D13/168 |
| D861,186 | S | * | 9/2019 | Matsuura | | D24/215 |
| D865,990 | S | * | 11/2019 | Ko | | D24/215 |
| D877,918 | S | * | 3/2020 | Siff | | D24/200 |
| D882,815 | S | * | 4/2020 | Dumler | | D24/215 |
| D883,508 | S | * | 5/2020 | Qiu | | D24/215 |
| D883,509 | S | * | 5/2020 | Dumler | | D24/215 |
| D893,735 | S | * | 8/2020 | Yin | | D24/200 |
| D893,736 | S | * | 8/2020 | Yin | | D24/200 |
| 2020/0188221 | A1 | * | 6/2020 | Lenke | | A61H 9/005 |

* cited by examiner

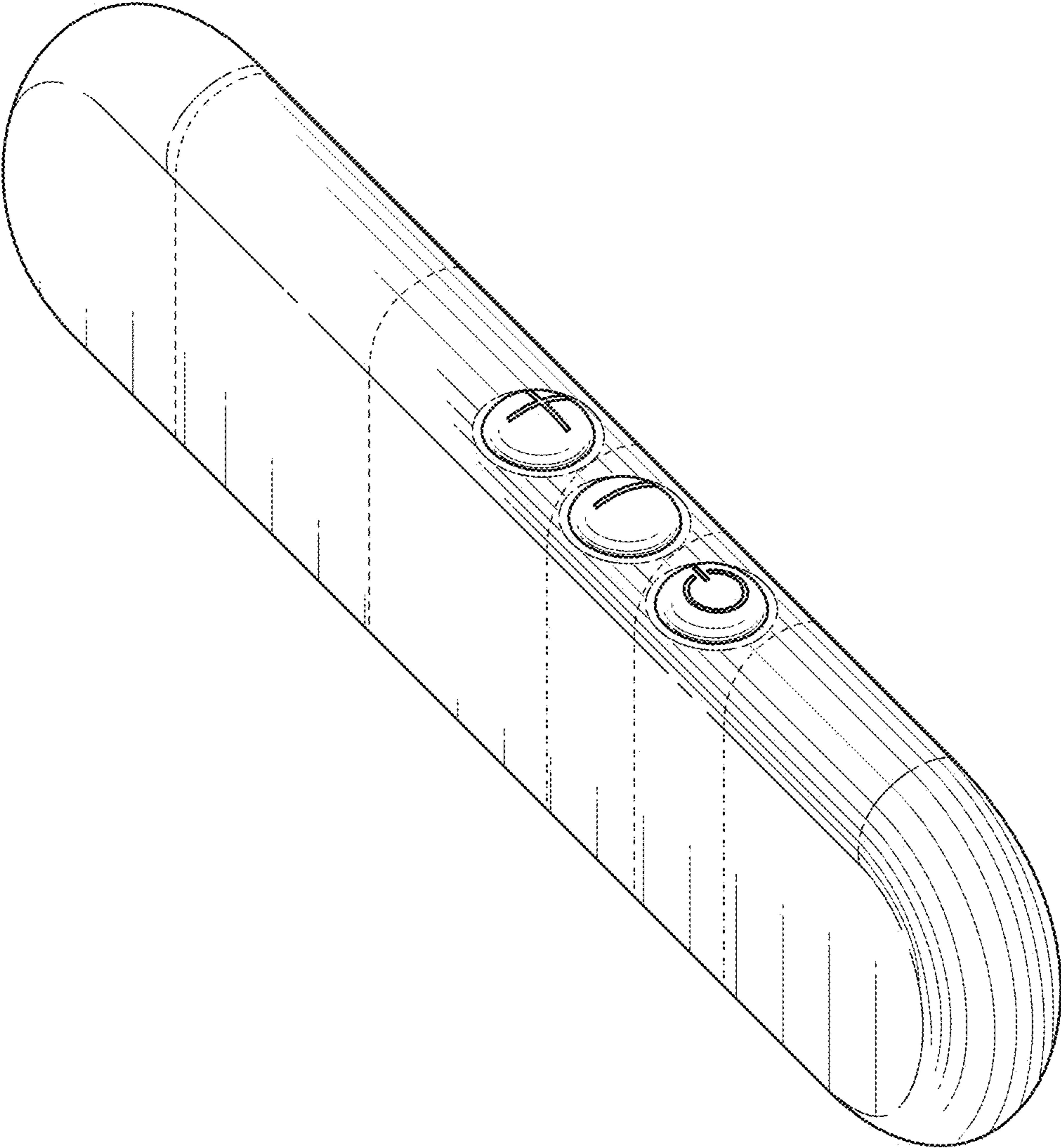


FIG. 1

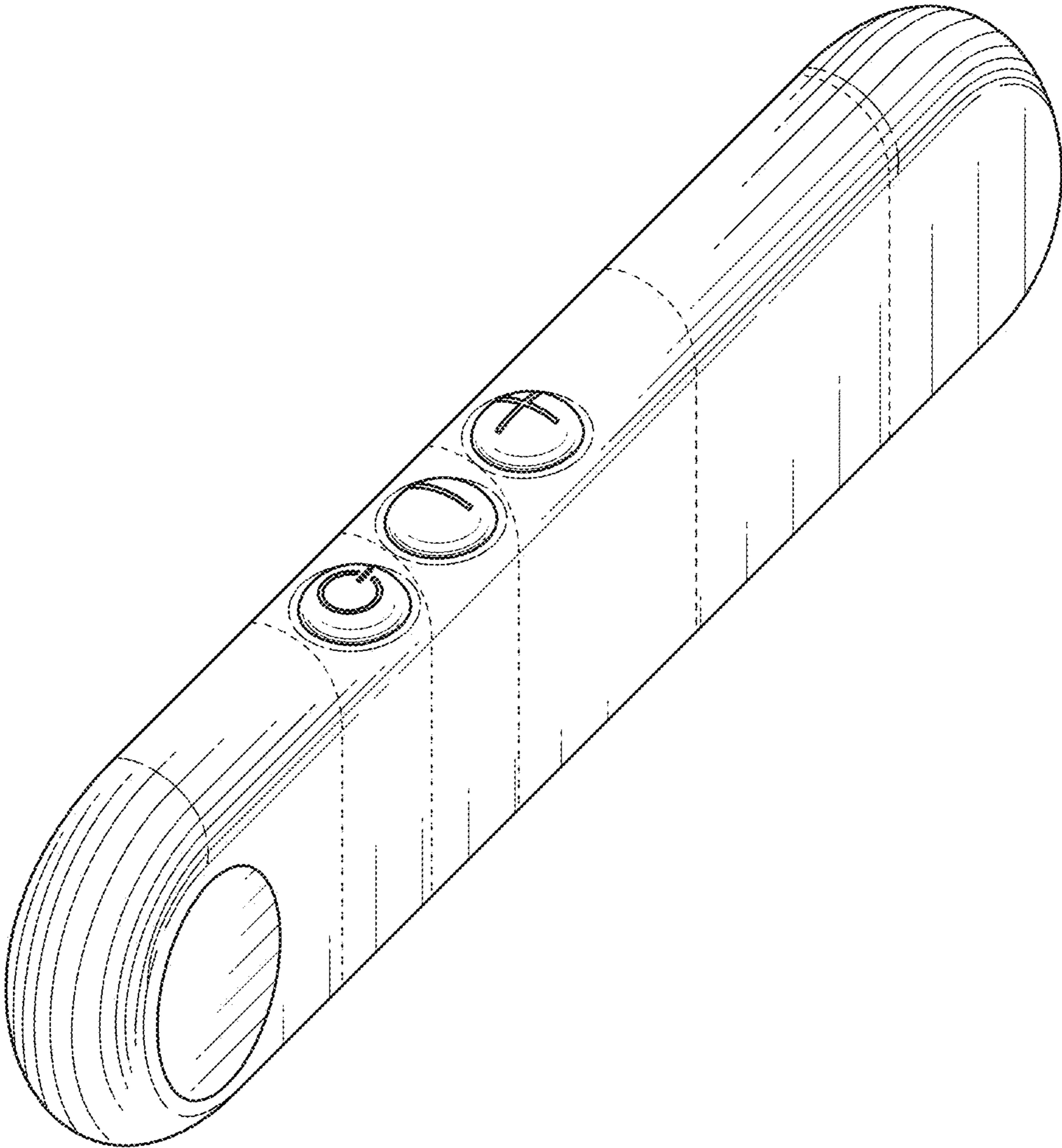


FIG. 2

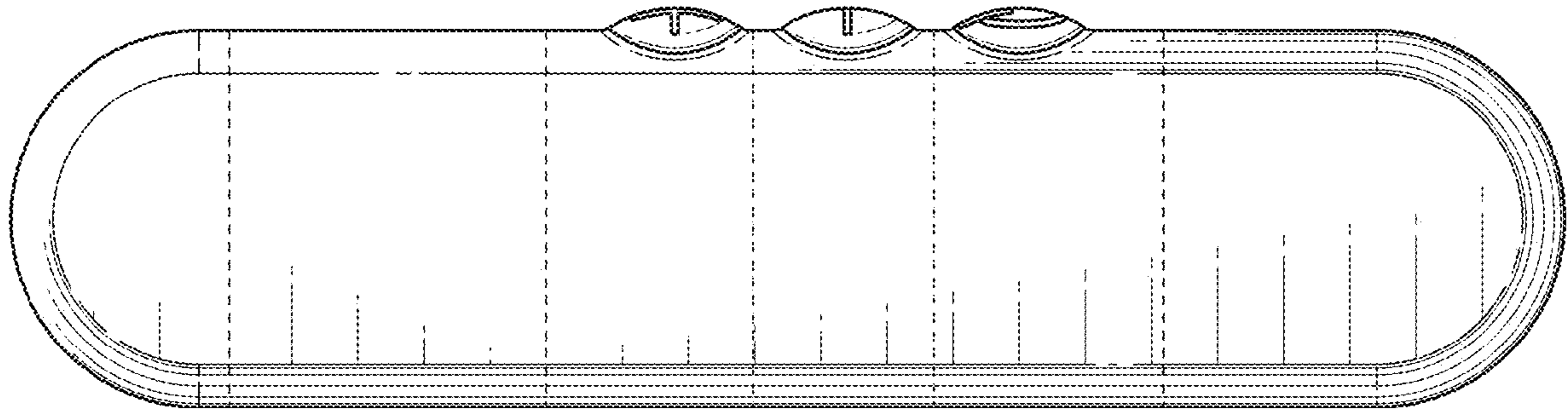


FIG. 3

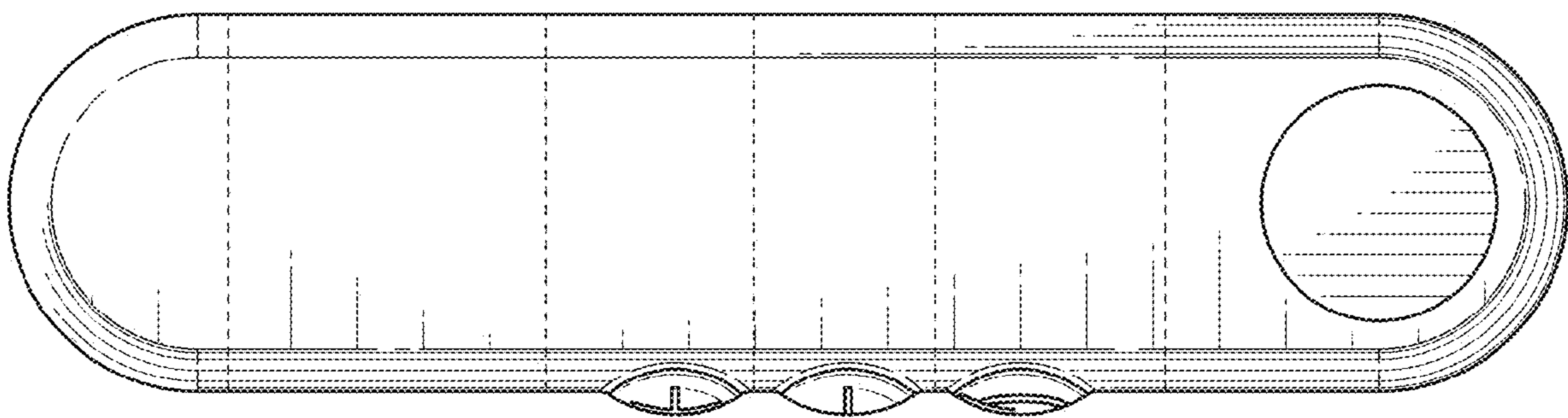


FIG. 4

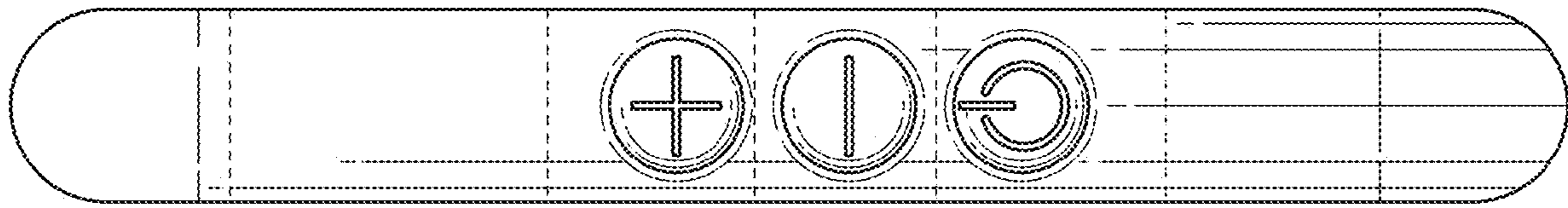


FIG. 5

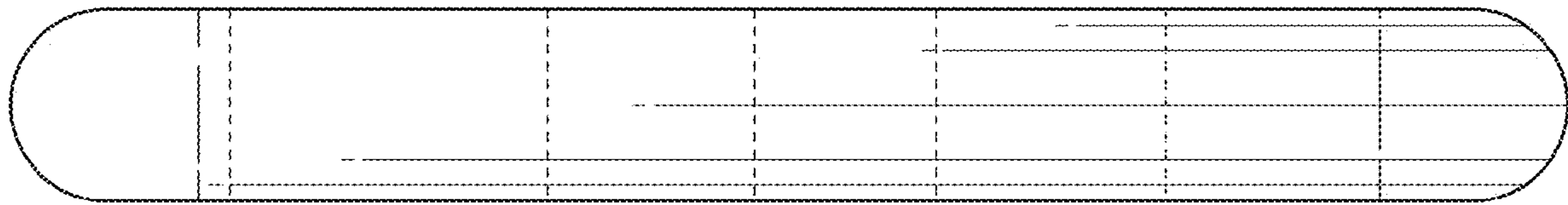


FIG. 6

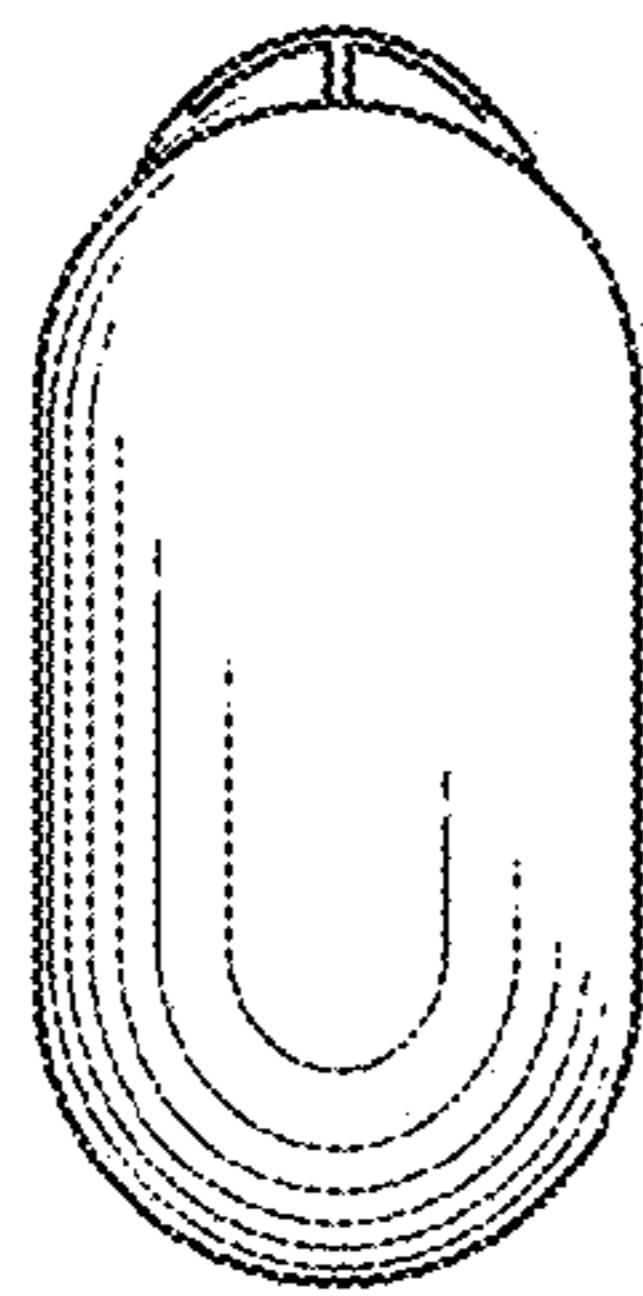


FIG. 7

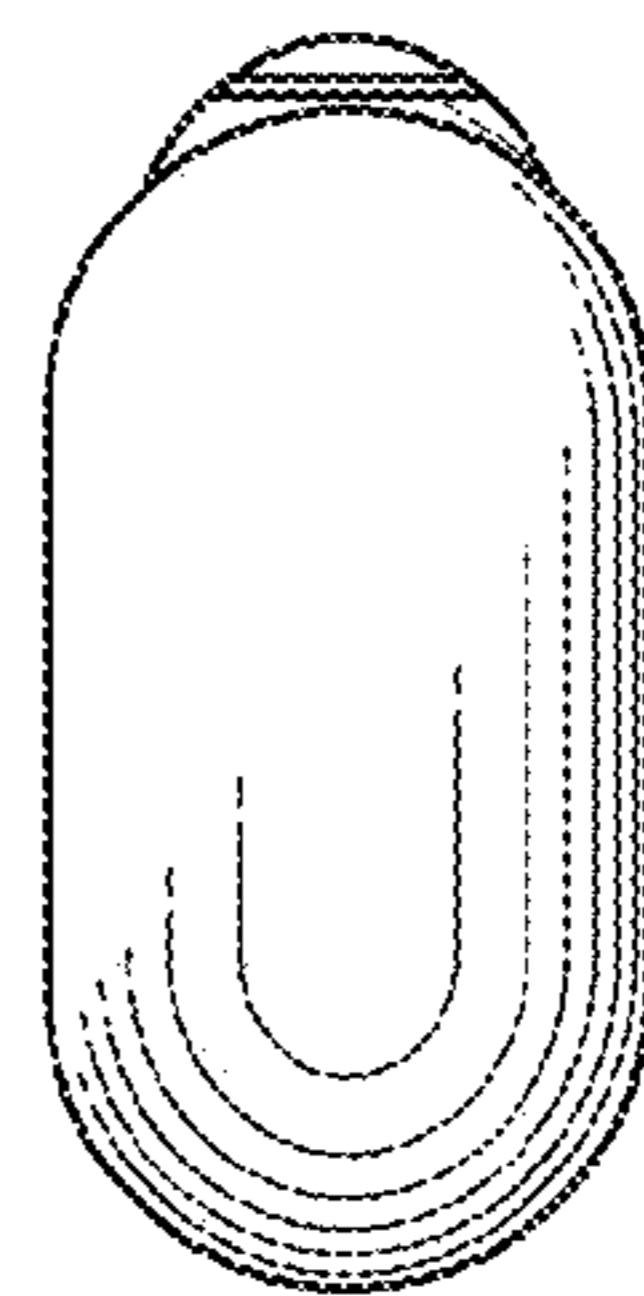


FIG. 8