



US00D910867S

(12) **United States Design Patent** (10) **Patent No.:** **US D910,867 S**
Kaminski, Jr. (45) **Date of Patent:** **** Feb. 16, 2021**

(54) **CURETTAGE TOOL**
(71) Applicant: **Mitchell V. Kaminski, Jr.**, Nines, IL (US)
(72) Inventor: **Mitchell V. Kaminski, Jr.**, Nines, IL (US)
(**) Term: **15 Years**
(21) Appl. No.: **29/689,913**
(22) Filed: **May 2, 2019**
(51) **LOC (13) Cl.** **28-03**
(52) **U.S. Cl.**
USPC **D24/214; D24/133**
(58) **Field of Classification Search**
USPC D24/108, 112, 113, 114, 117, 118, 119, D24/127, 130, 133, 144, 146, 147, 148, D24/185, 186, 129, 172, 173, 174, 176, D24/135, 149, 134, 138, 145, 128, 214, D24/215, 105, 208, 211, 220; D8/20, 14, D8/17, 98, 99, 100, 105, 47; D19/96; D28/7, 21, 25, 29, 30, 39, 54, 74, 75, 76, D28/77
CPC A61H 2201/0153; A61H 19/00; A61H 19/40; A61H 2205/087; A61K 13/02; A45D 24/02; A45D 24/04; A45D 24/36
See application file for complete search history.

D578,847 S * 10/2008 Mashburn D8/20
7,650,858 B2 * 1/2010 Porter A01K 13/002
119/631
D618,075 S * 6/2010 Huang D8/20
D634,173 S * 3/2011 Kenny D8/98
D637,223 S * 5/2011 King D17/20
D637,876 S * 5/2011 Williams D8/20
D639,832 S * 6/2011 Inkster D15/139
D639,833 S * 6/2011 Inkster D15/139

(Continued)

FOREIGN PATENT DOCUMENTS

CN 304652510 * 5/2018
CN 304859068 * 10/2018

OTHER PUBLICATIONS

Ellipse Pro, [site visited Nov. 6, 2020]. Available from Internet.
URL: <https://www.myofascialreleaser.com/products/ellipse> (Year: 2020).*

(Continued)

Primary Examiner — T Chase Nelson
Assistant Examiner — Kelly L Gross

(57) **CLAIM**

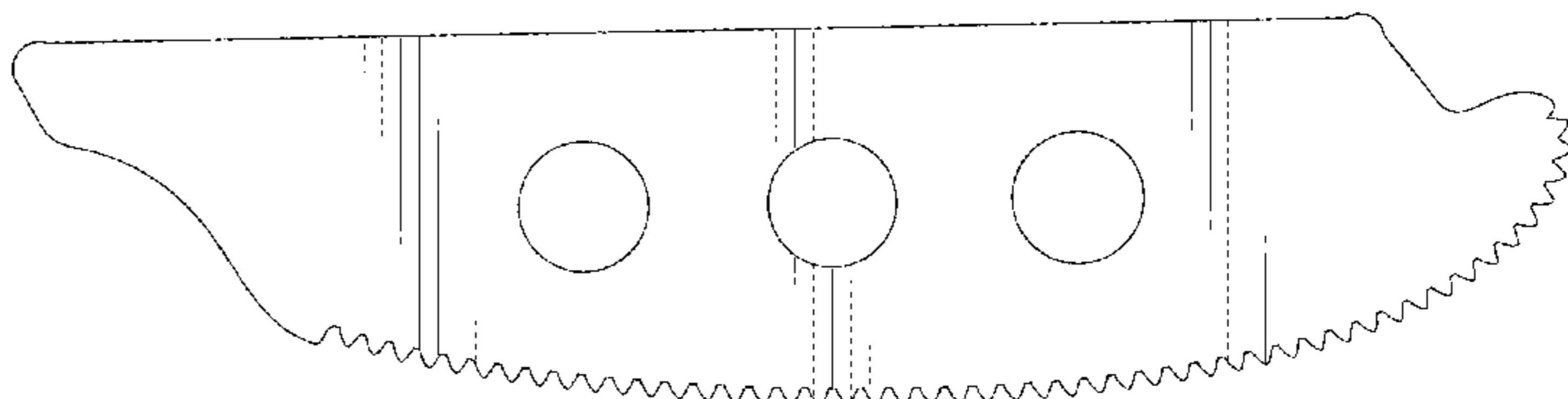
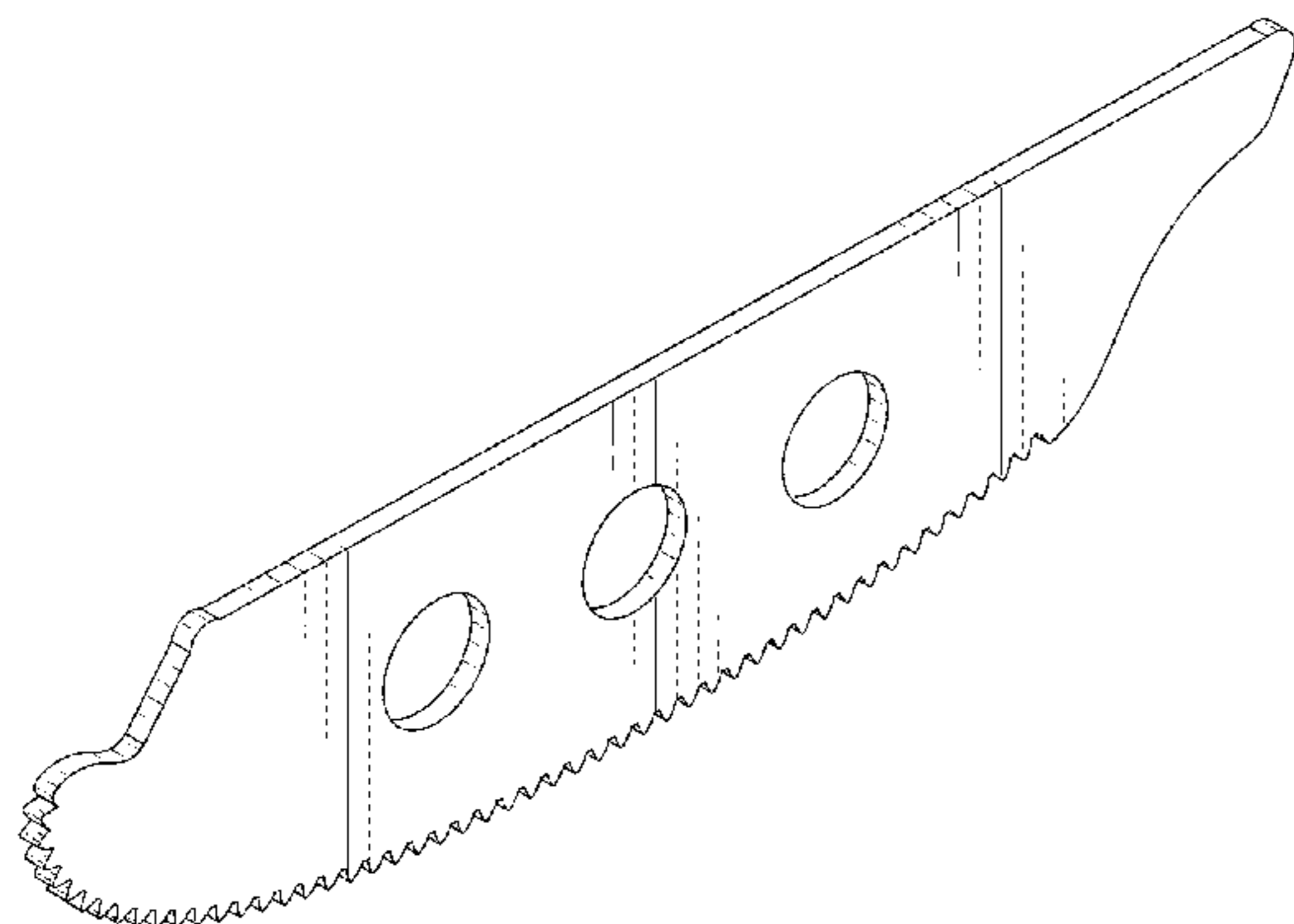
The ornamental design for a curettage tool, as shown and described.

DESCRIPTION

FIG. 1 is a top-front-left perspective view of a curettage tool showing my new design;
FIG. 2 is a bottom-rear-right perspective view thereof;
FIG. 3 is a front elevational view thereof;
FIG. 4 is a rear elevational view thereof;
FIG. 5 is a left elevational view thereof;
FIG. 6 is a right elevational view thereof;
FIG. 7 is a top plan view thereof; and,
FIG. 8 is a bottom plan view thereof.

1 Claim, 8 Drawing Sheets

(56) **References Cited**
U.S. PATENT DOCUMENTS
D359,666 S * 6/1995 Richards D8/13
D418,942 S * 1/2000 Chen D28/22
D434,183 S * 11/2000 Fraenkel D28/22
D450,069 S * 11/2001 Koza D15/140
D459,172 S * 6/2002 Bissell D8/20
D465,138 S * 11/2002 Raines D8/20
D472,632 S * 4/2003 Anderson D24/155
D494,607 S * 8/2004 Hunag D15/139
D496,994 S * 10/2004 Tague D24/133
D524,445 S * 7/2006 Liang D24/211



(56)

References Cited

U.S. PATENT DOCUMENTS

D644,376 S * 8/2011 Morrill D28/21
 D645,568 S * 9/2011 Walker D24/214
 8,069,570 B2 * 12/2011 Taylor B25F 1/00
 30/143
 D655,043 S * 2/2012 Tokar D28/54
 D664,018 S * 7/2012 Inkster D8/20
 D665,090 S * 8/2012 Tucker D24/214
 D665,533 S * 8/2012 Hazard D28/44
 D665,916 S * 8/2012 Zhang D24/215
 D670,432 S * 11/2012 Driver D28/21
 D678,367 S * 3/2013 Inkster D15/133
 D678,539 S * 3/2013 Narson D24/200
 D685,826 S * 7/2013 Inkster D15/133
 D686,049 S * 7/2013 Ji D8/20
 D686,333 S * 7/2013 Innes D24/215
 D687,276 S * 8/2013 Ji D8/20
 D690,180 S * 9/2013 Del Rossa D8/71
 D710,757 S * 8/2014 Noll D12/51
 8,801,642 B1 * 8/2014 Slominski A61H 7/001
 601/135
 D721,564 S * 1/2015 Purnomohadi D8/98
 8,925,560 B2 * 1/2015 Heiberg A45D 24/02
 132/219
 D725,726 S * 3/2015 Gomez D21/684
 D731,272 S * 6/2015 Salvat D8/34
 D734,649 S * 7/2015 Wackwitz D8/70
 RE45,657 E * 8/2015 Cho D24/215
 D745,162 S * 12/2015 Neufeld D24/155
 D752,238 S * 3/2016 Stock D24/214
 D752,239 S * 3/2016 Stock D24/214
 D753,317 S * 4/2016 Eddy D24/214
 D754,360 S * 4/2016 Stock D24/214
 D756,724 S * 5/2016 Gripske D8/8
 D757,281 S * 5/2016 Hsieh D24/200
 D767,780 S * 9/2016 Pursel D24/214
 D772,677 S * 11/2016 Celestine D8/105
 D776,991 S * 1/2017 Ryun D7/693
 D780,877 S * 3/2017 Goeckel D22/118
 D782,111 S * 3/2017 Litwinski D28/21
 D792,600 S * 7/2017 van den Dries D24/215
 D792,601 S * 7/2017 van den Dries D24/215
 9,718,198 B2 * 8/2017 Ryun A47J 17/00
 D799,294 S * 10/2017 Burkman D8/34

D812,813 S * 3/2018 Stephenson D28/22
 D825,068 S * 8/2018 van den Dries D24/200
 D825,069 S * 8/2018 Capobianco D24/200
 D827,401 S * 9/2018 Chen D8/20
 D827,848 S * 9/2018 Iwagami D24/215
 D828,924 S * 9/2018 Maroney D24/200
 D828,926 S * 9/2018 Stock D24/214
 D835,916 S * 12/2018 Macca D4/116
 D835,956 S * 12/2018 Felton D8/20
 D836,023 S * 12/2018 Chinkes D11/134
 D838,148 S * 1/2019 Umholtz D7/693
 D841,271 S * 2/2019 Motsenbocker D32/46
 D846,137 S * 4/2019 Li D24/215
 D850,642 S * 6/2019 Yokoyama D24/215
 D859,941 S * 9/2019 Peterson D8/20
 D861,184 S * 9/2019 Stern Hasemann D24/214
 D861,185 S * 9/2019 Pihlavamaki D24/214
 D862,184 S * 10/2019 Bloom D8/20
 D863,585 S * 10/2019 Weitzner D24/214
 10,449,683 B2 * 10/2019 Spencer B26B 21/4006
 D865,988 S * 11/2019 Pudhnum D24/214
 D866,781 S * 11/2019 Maroney D24/200
 D868,279 S * 11/2019 Chiu D24/214
 D872,367 S * 1/2020 Yan D28/54
 D872,388 S * 1/2020 Crane D30/160
 D874,001 S * 1/2020 Khouri D24/152
 D878,615 S * 3/2020 Ankosko D24/200
 D879,580 S * 3/2020 Spater D8/105
 D879,980 S * 3/2020 Johnston D24/200
 D882,808 S * 4/2020 Miller D24/215
 D887,811 S * 6/2020 Adelman D8/105
 D893,715 S * 8/2020 Onorato D24/140
 D894,417 S * 8/2020 Paterson D24/214
 D897,036 S * 9/2020 Alejandro D28/21

OTHER PUBLICATIONS

Yin your Skin, [site visited Nov. 6, 2020]. Available from Internet.
 URL: <https://www.bellapolar.ee/collections/yin-your-skin/products/yin-your-skin-jalo-advanced-gua-sha-tool> (Year: 2020).*
 Adhesion Tool, [site visited Nov. 6, 2020]. Available from Internet.
 URL: <https://www.ebay.com/itm/AdhesionTool-Rehabilitation-Myofascial-Restriction-Scar-Adhesion-Tool-Instrument-/273331679380> (Year: 2020).*

* cited by examiner

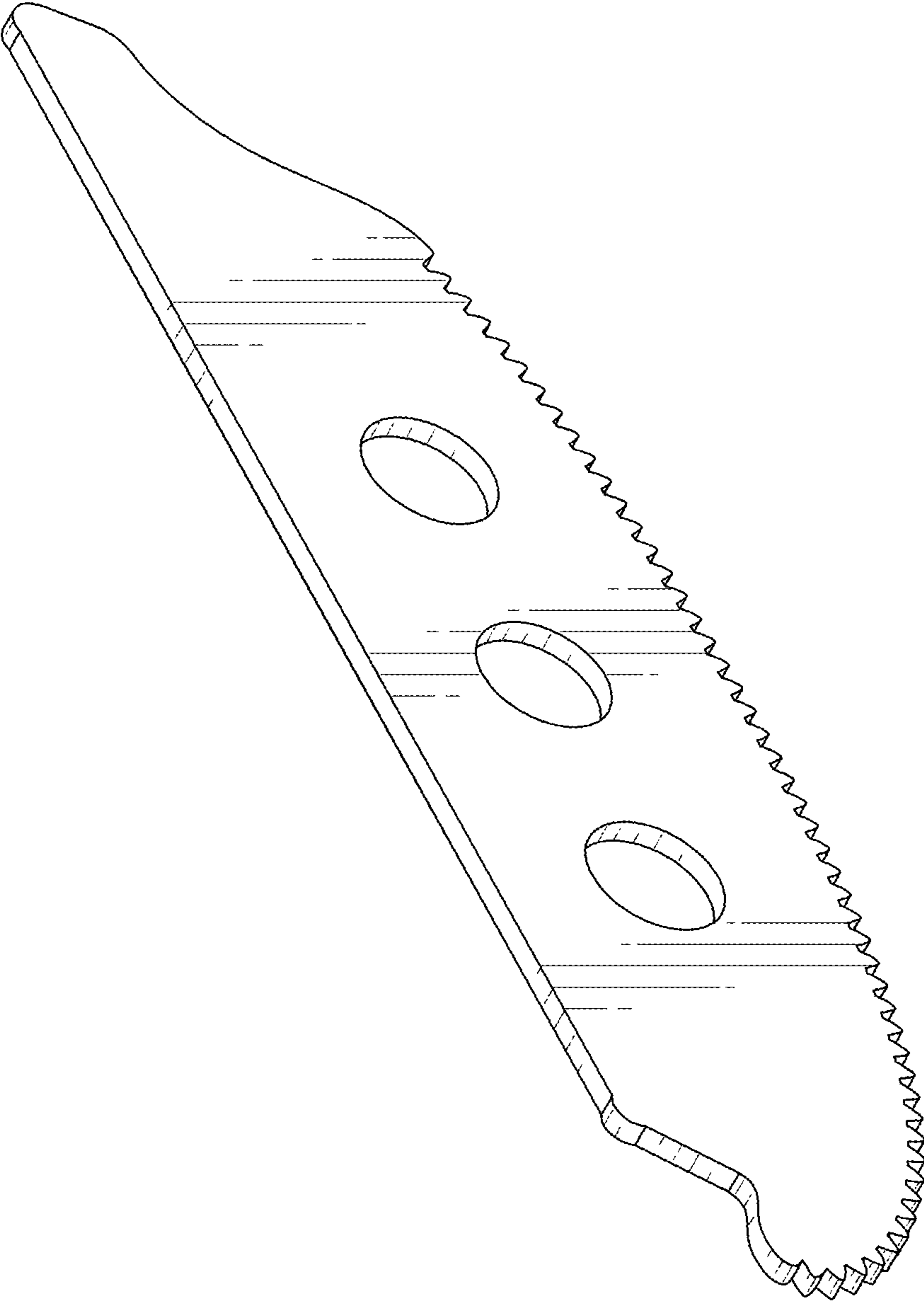


FIG. 1

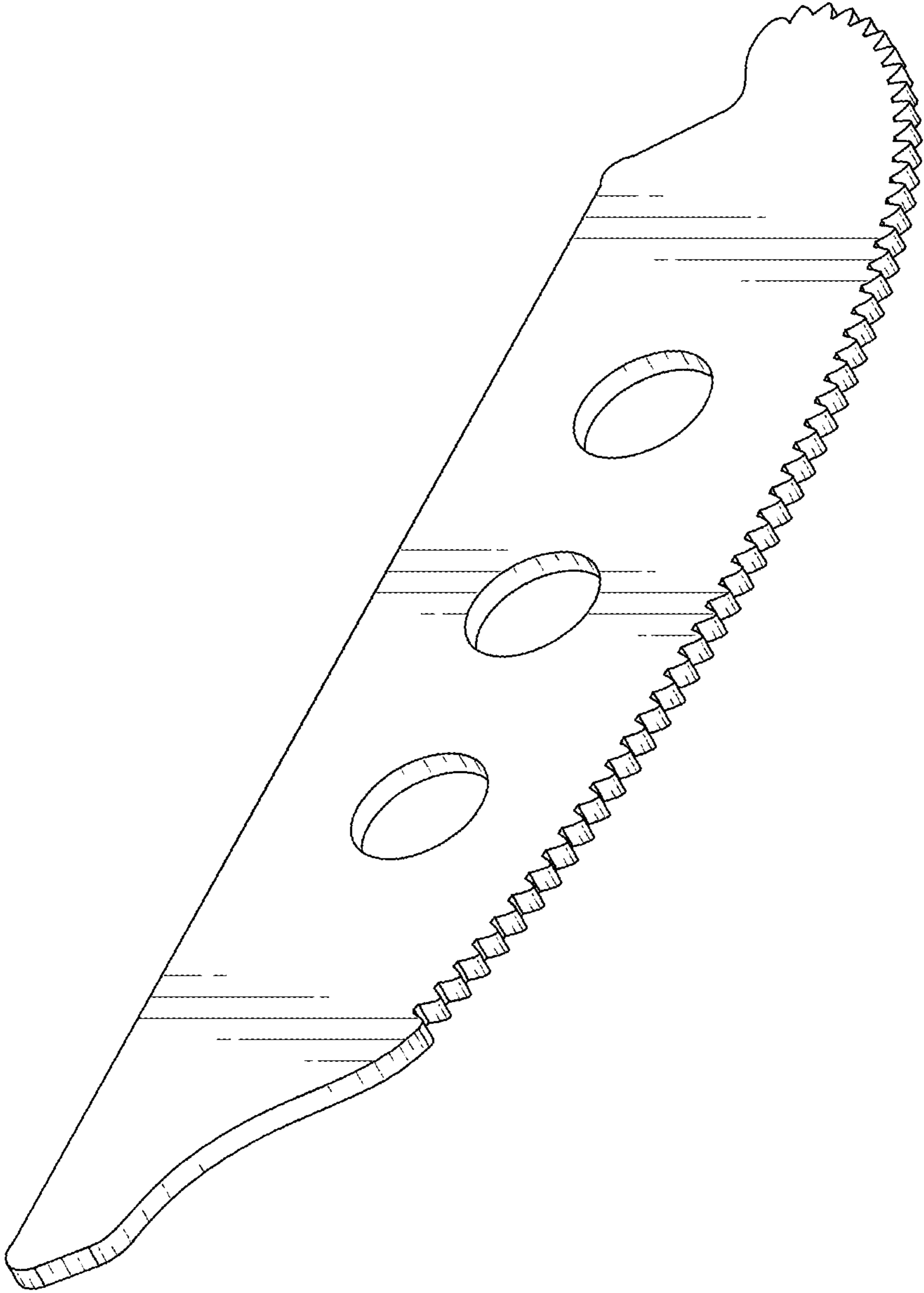


FIG. 2



FIG. 3

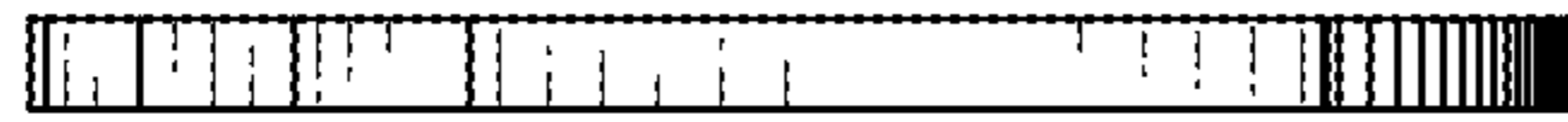


FIG. 4

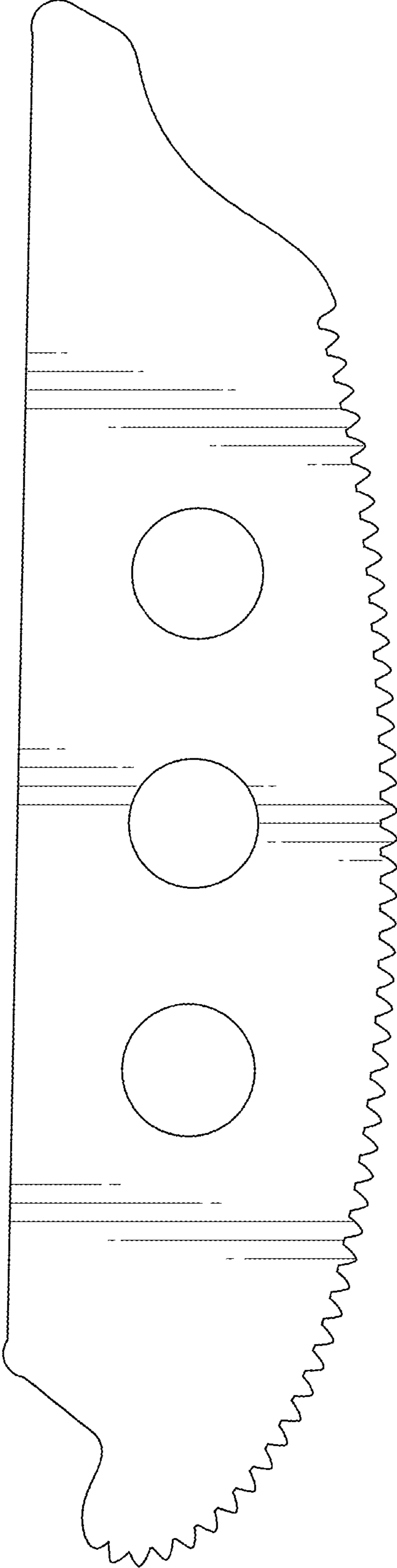


FIG. 5

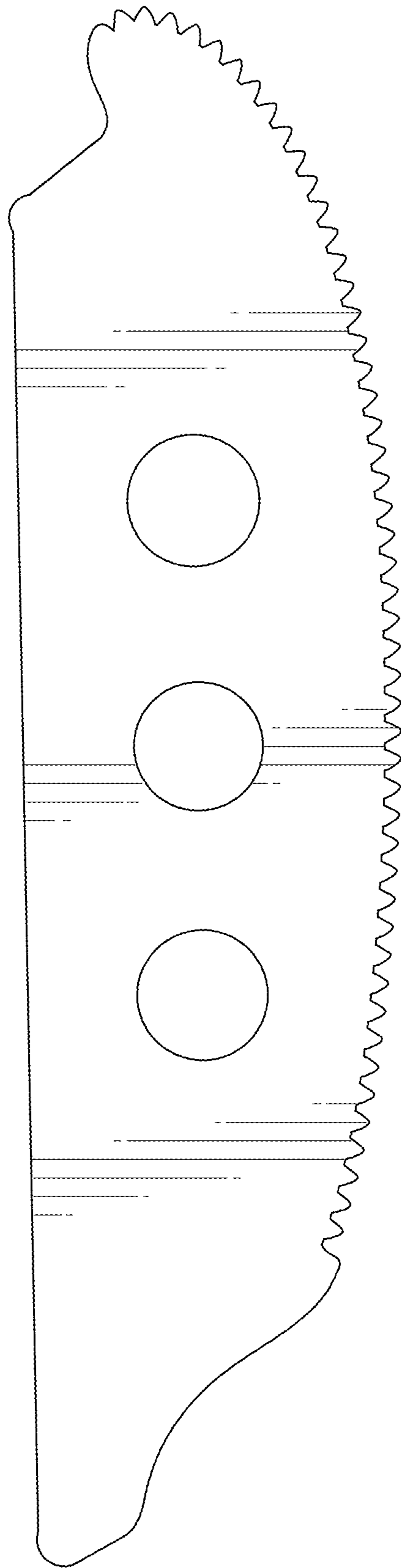


FIG. 6

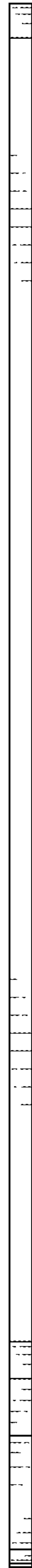


FIG. 7



FIG. 8