



US00D910865S

(12) **United States Design Patent**
Wise

(10) **Patent No.:** **US D910,865 S**

(45) **Date of Patent:** **** Feb. 16, 2021**

(54) **TRIGGER POINT THERAPY DEVICE**

(71) Applicant: **New Pelvic Pain Technologies Inc.,**
San Francisco, CA (US)

(72) Inventor: **David Wise,** San Francisco, CA (US)

(73) Assignee: **New Pelvic Pain Technologies Inc.,**
San Francisco, CA (US)

(**) Term: **15 Years**

(21) Appl. No.: **29/709,371**

(22) Filed: **Oct. 14, 2019**

Related U.S. Application Data

(62) Division of application No. 29/682,677, filed on Mar. 7, 2019, now Pat. No. Des. 863,582, which is a division of application No. 29/597,899, filed on Mar. 21, 2017, now Pat. No. Des. 844,796.

(51) **LOC (13) Cl.** **28-03**

(52) **U.S. Cl.**
USPC **D24/211**

(58) **Field of Classification Search**
USPC D21/399, 412, 443, 662, 671, 683, 685,
D21/686, 687, 688, 689, 694, 698, 798;
D24/171, 200, 211, 213; D30/160
CPC A63B 22/16; A63B 26/003; A63B 22/18;
A63B 69/3673

See application file for complete search history.

(56) **References Cited**

U.S. PATENT DOCUMENTS

2,017,400 A	10/1935	Sigurd
2,510,399 A	6/1950	Harris
D176,008 S	11/1955	Blaker
D206,172 S	11/1966	Nielson
D208,334 S	8/1967	Gerds

3,359,678 A	12/1967	Headrick
3,636,946 A	1/1972	Hardy
3,716,229 A	2/1973	Van Der Cleyen et al.
3,862,768 A	1/1975	England
3,866,910 A	2/1975	Herring
3,895,794 A	7/1975	England
4,031,655 A	6/1977	Ponciano
4,191,371 A	3/1980	Armer, Jr.
4,233,966 A	11/1980	Takahashi
D262,805 S	1/1982	Matsui
D268,039 S	2/1983	Osborne
D269,718 S	7/1983	Tovey
D286,182 S	10/1986	Hilman

(Continued)

Primary Examiner — Cynthia Ramirez

Assistant Examiner — Michael A Maharajh

(74) *Attorney, Agent, or Firm* — Young Basile Hanlon & MacFarlane, P.C.

(57) **CLAIM**

The ornamental design for a trigger point therapy device, as shown and described.

DESCRIPTION

FIG. 1 is a perspective view of a trigger point therapy device.

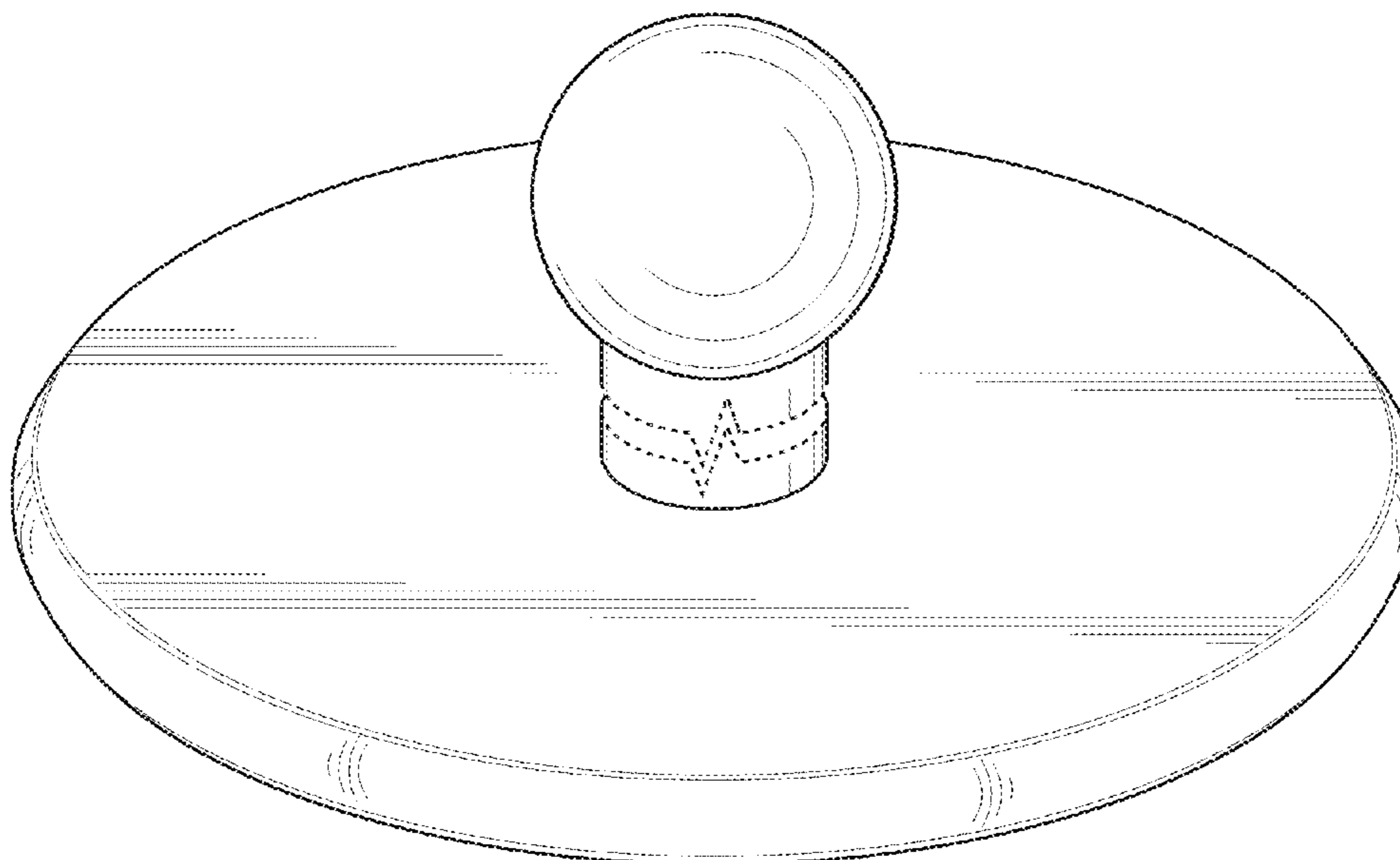
FIG. 2 is a front side view of the trigger point therapy device of FIG. 1, the rear side view, the left side view, and the right side view being the same as the front side view.

FIG. 3 is a top view of the trigger point therapy device of FIG. 1; and,

FIG. 4 is a bottom view of the trigger point therapy device of FIG. 1.

The broken lines in the drawings are for the purposes of illustrating portions of the trigger point therapy device, which form no part of the claimed design. The trigger point therapy device is shown with a symbolic break in its length. The appearance of any portion of the article between the break lines forms no part of the claimed design.

1 Claim, 3 Drawing Sheets



(56)

References Cited

U.S. PATENT DOCUMENTS

D317,335 S 6/1991 Lovik
 5,256,127 A 10/1993 Yeh
 D347,282 S * 5/1994 Yoo D24/200
 5,352,188 A 10/1994 Vitko
 D358,654 S 5/1995 Smith
 D373,195 S 8/1996 Hoff
 D374,082 S * 9/1996 Vitko D24/211
 5,643,164 A * 7/1997 Teff A63B 22/16
 482/146

 D399,965 S 10/1998 Laughlin et al.
 D403,428 S 12/1998 Russo
 D403,774 S 1/1999 Laughlin et al.
 D405,563 S 2/1999 Baiera et al.
 5,913,839 A 6/1999 Wincek
 D412,768 S 8/1999 Huettner et al.
 6,093,159 A 7/2000 Racoosin
 6,109,999 A 8/2000 Kuo
 6,146,343 A 11/2000 Stewart
 6,168,551 B1 * 1/2001 McGuinness A63B 69/0093
 434/247

 6,309,331 B1 10/2001 Raymond
 6,390,997 B1 5/2002 Vitko
 D480,811 S 10/2003 Horhota et al.
 D481,131 S 10/2003 Saim et al.
 D491,271 S 6/2004 Siegfried
 D491,671 S 6/2004 Kim
 D496,110 S * 9/2004 Kim D24/211
 D536,396 S 2/2007 Crane et al.
 7,288,055 B2 10/2007 Blaum
 7,458,945 B2 12/2008 Zemont
 D586,470 S 2/2009 Warder
 D609,802 S 2/2010 Harren
 7,775,952 B1 8/2010 Curran et al.
 D627,015 S * 11/2010 Senegal D21/689
 D632,396 S 2/2011 Kasabach et al.
 D652,181 S 1/2012 Lee
 D660,928 S 5/2012 Guarrasi
 8,224,464 B2 7/2012 Wise
 8,337,435 B2 12/2012 Wise
 D688,379 S 8/2013 Ehlers
 D691,279 S 10/2013 Hane-Karr
 8,597,163 B2 12/2013 Chiu
 D701,964 S 4/2014 Yoneta et al.
 D709,136 S 7/2014 Goldman et al.
 D709,137 S 7/2014 Goldman
 D721,819 S 1/2015 Lethorn
 8,998,832 B2 4/2015 Almeida
 D731,004 S 6/2015 Estrada, Jr. et al.

D731,048 S 6/2015 Winter
 9,079,072 B2 7/2015 Agnostini
 D736,864 S 8/2015 Laggan
 D740,432 S 10/2015 Wu
 D749,682 S * 2/2016 Thomason A63B 23/1236
 D21/662

 D754,358 S 4/2016 Krullaards
 D758,595 S 6/2016 Zhao
 D759,257 S 6/2016 Chen
 9,387,363 B1 7/2016 Polinsky
 D776,285 S 1/2017 Dinger
 D791,247 S 7/2017 O'Brien
 D810,952 S 2/2018 Hsu
 D812,320 S 3/2018 Stone
 D819,824 S 6/2018 Moehlenbrock
 D822,221 S 7/2018 Huth et al.
 D832,452 S 10/2018 Adams
 D838,861 S 1/2019 Smith
 10,207,150 B2 2/2019 Noorzai
 D843,002 S 3/2019 Yarborough
 D844,796 S 4/2019 Wise
 D845,499 S 4/2019 Wersland et al.
 D848,623 S * 5/2019 Franche D24/188
 D863,582 S 10/2019 Wise
 D868,278 S 11/2019 Smith et al.
 D870,828 S * 12/2019 Dicharry D21/688
 D878,499 S * 3/2020 Melgoza D21/688
 D886,922 S * 6/2020 Hwang D21/689
 D895,130 S * 9/2020 Wise D24/211
 2004/0198573 A1 * 10/2004 Brydson A63B 26/003
 482/146
 2006/0211553 A1 * 9/2006 Cantor A63B 22/18
 482/146

 2009/0210027 A1 8/2009 Wise
 2011/0071446 A1 3/2011 Citrin
 2012/0059405 A1 3/2012 Reynolds et al.
 2012/0253379 A1 10/2012 Wise
 2013/0017937 A1 * 1/2013 Guarrasi A63B 22/18
 482/142

 2013/0116100 A1 5/2013 Chen
 2013/0116600 A1 5/2013 Wise
 2013/0252217 A1 9/2013 Grzesiak et al.
 2013/0288866 A1 * 10/2013 Rainey A63B 22/18
 482/146

 2015/0238793 A1 8/2015 Kramer
 2016/0256746 A1 9/2016 Kramer et al.
 2017/0273850 A1 * 9/2017 Wise A61H 7/001
 2018/0256441 A1 9/2018 Smith
 2020/0114200 A1 * 4/2020 Dicharry A63B 21/00069
 2020/0238135 A1 * 7/2020 Stehlik A63B 22/16

* cited by examiner

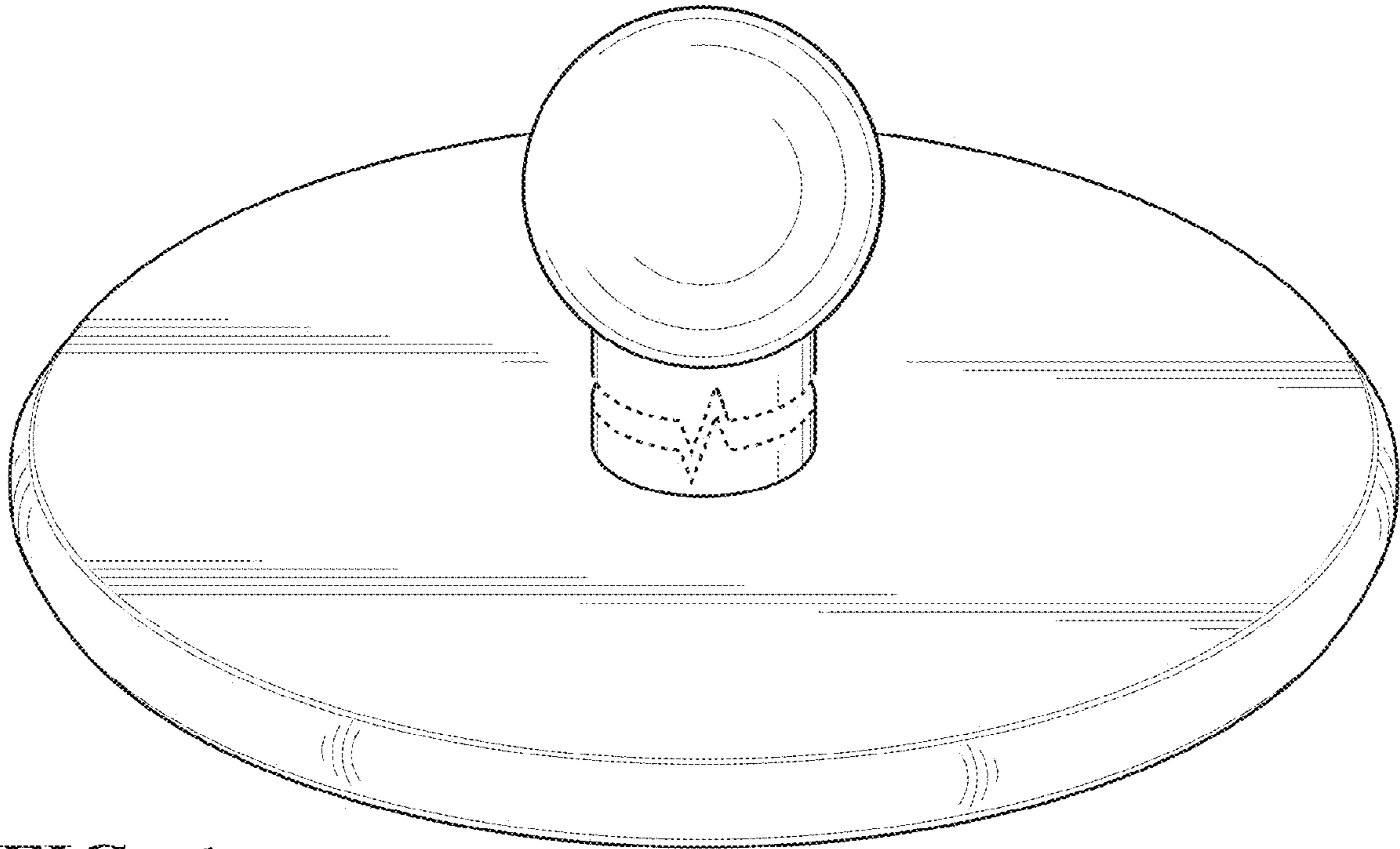


FIG. 1

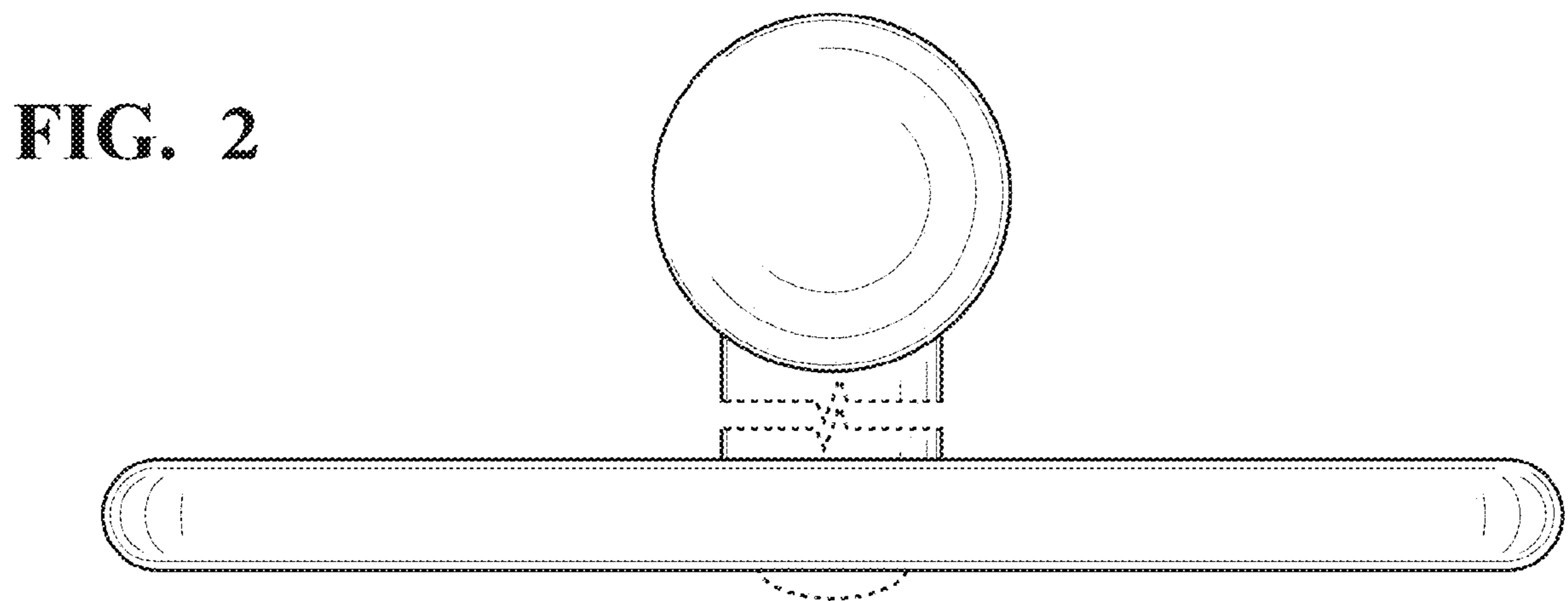


FIG. 2

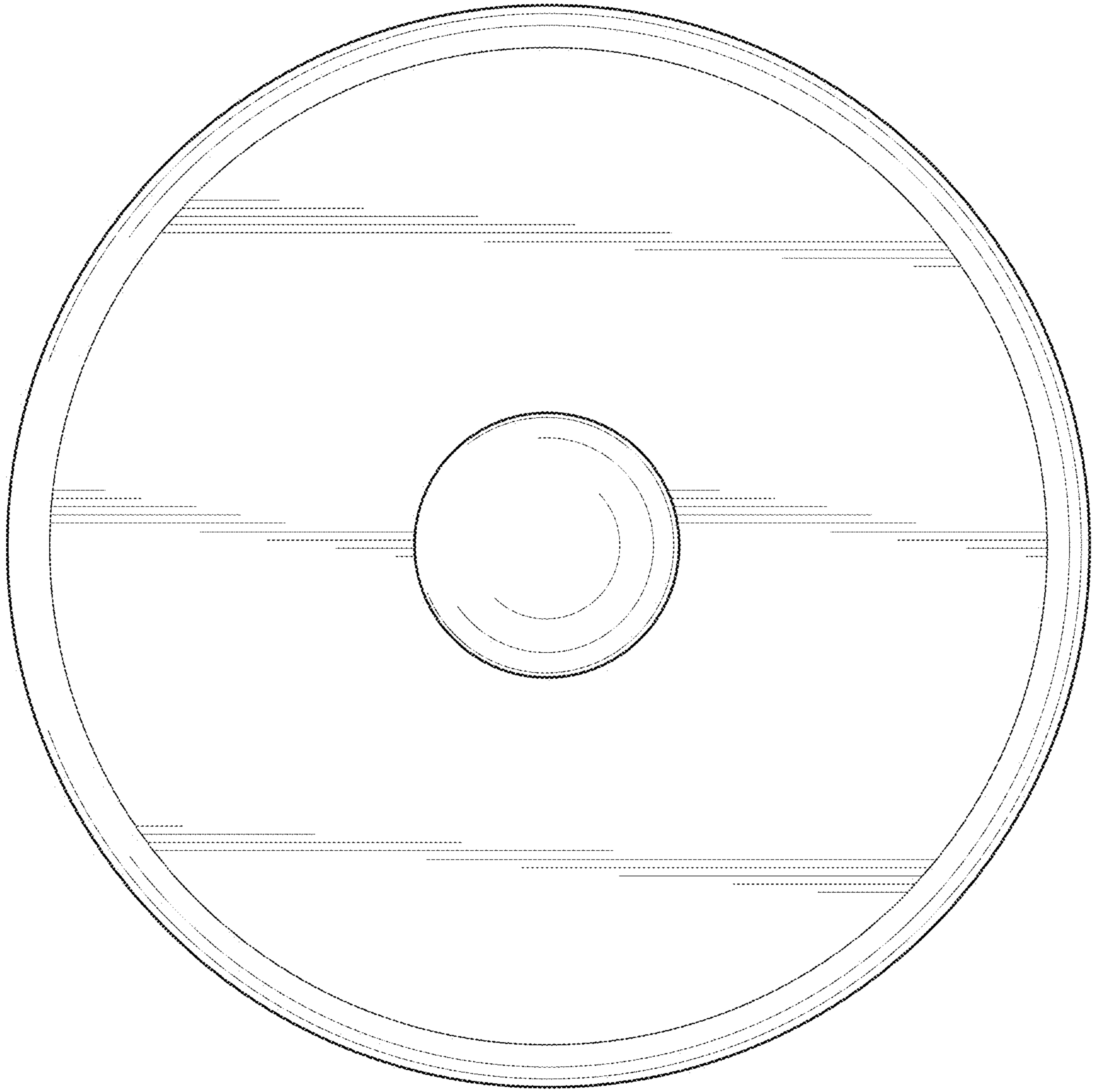


FIG. 3

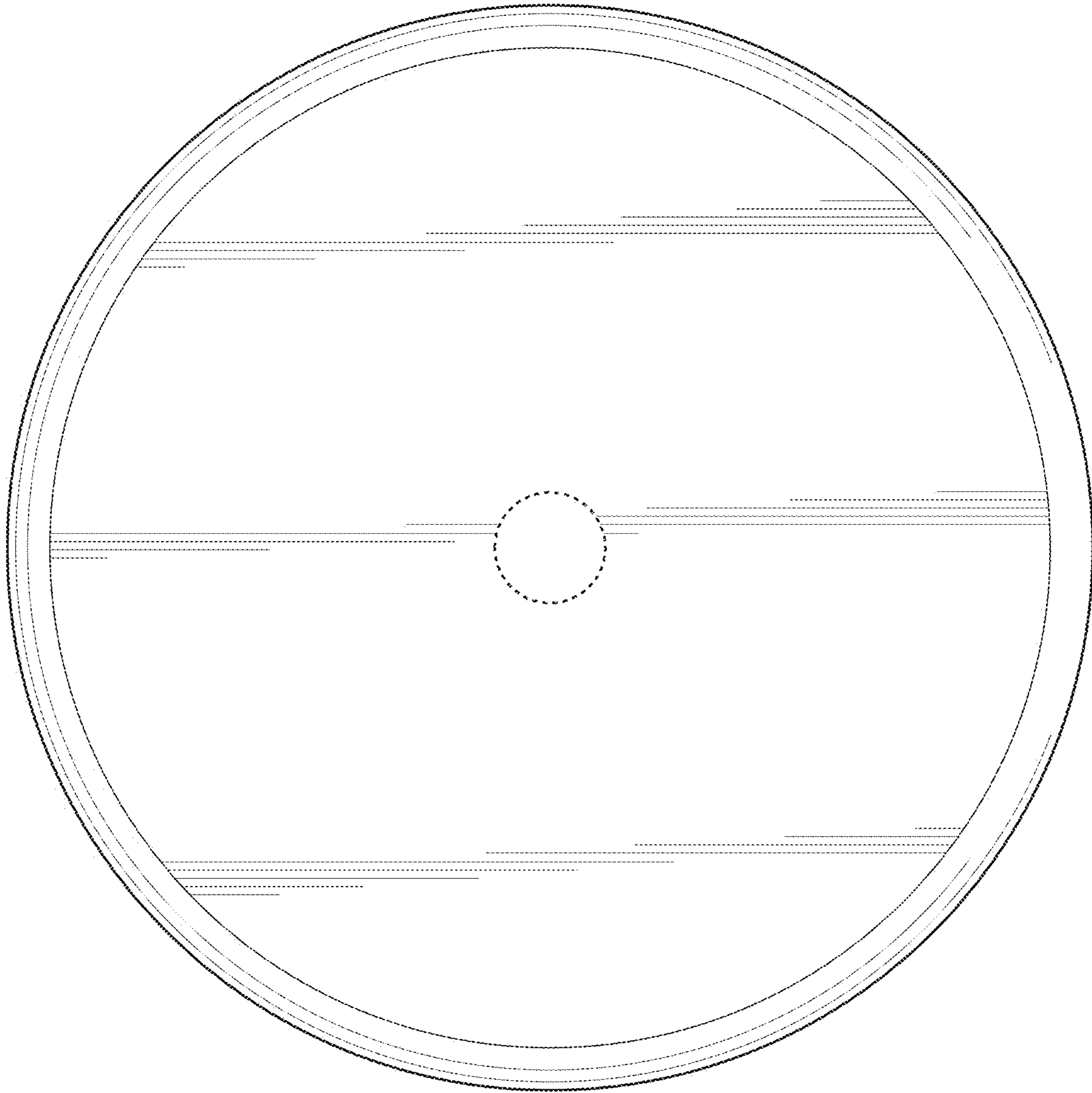


FIG. 4