



US00D910864S

(12) **United States Design Patent** (10) **Patent No.:** **US D910,864 S**  
**Wise** (45) **Date of Patent:** **\*\* Feb. 16, 2021**

- (54) **TRIGGER POINT THERAPY DEVICE** 3,636,946 A 1/1972 Hardy
- 3,716,229 A 2/1973 Van Der Cleyen et al.
- (71) Applicant: **New Pelvic Pain Technologies Inc.,** 3,862,768 A 1/1975 England  
San Francisco, CA (US) 3,866,910 A 2/1975 Herring
- 3,895,794 A 7/1975 England
- (72) Inventor: **David Wise,** San Francisco, CA (US) 4,031,655 A 6/1977 Ponciano
- 4,191,371 A 3/1980 Armer, Jr.
- (73) Assignee: **New Pelvic Pain Technologies Inc.,** 4,233,966 A 11/1980 Takahashi  
San Francisco, CA (US) D262,805 S 1/1982 Matsui
- D268,039 S 2/1983 Osborne
- (\*\*) Term: **15 Years** D269,718 S 7/1983 Tovey
- D286,182 S 10/1986 Hilman
- (21) Appl. No.: **29/709,354** D317,335 S 6/1991 Lovik
- 5,256,127 A 10/1993 Yeh
- (22) Filed: **Oct. 14, 2019** D347,282 S \* 5/1994 Yoo ..... D24/200
- 5,352,188 A 10/1994 Vitko

(Continued)

**Related U.S. Application Data**

- (62) Division of application No. 29/682,677, filed on Mar. 7, 2019, now Pat. No. Des. 863,582, which is a division of application No. 29/597,899, filed on Mar. 21, 2017, now Pat. No. Des. 844,796.

- (51) **LOC (13) Cl.** ..... **28-03**
- (52) **U.S. Cl.**  
USPC ..... **D24/211**

- (58) **Field of Classification Search**  
USPC ..... D21/399, 412, 443, 662, 671, 683, 685,  
D21/686, 687, 688, 689, 694, 698, 798;  
D24/171, 200, 211, 213; D30/160  
CPC ..... A63B 22/16; A63B 26/003; A63B 22/18;  
A63B 69/3673  
See application file for complete search history.

(56) **References Cited**

**U.S. PATENT DOCUMENTS**

- 2,017,400 A 10/1935 Sigurd
- 2,510,399 A 6/1950 Harris
- D176,008 S 11/1955 Blaker
- D206,172 S 11/1966 Nielson
- D208,334 S 8/1967 Gerds
- 3,359,678 A 12/1967 Headrick

*Primary Examiner* — Cynthia Ramirez

*Assistant Examiner* — Michael A Maharajh

(74) *Attorney, Agent, or Firm* — Young Basile Hanlon & MacFarlane, P.C.

(57) **CLAIM**

The ornamental design for a trigger point therapy device, as shown and described.

**DESCRIPTION**

FIG. 1 is a perspective view of a trigger point therapy device.

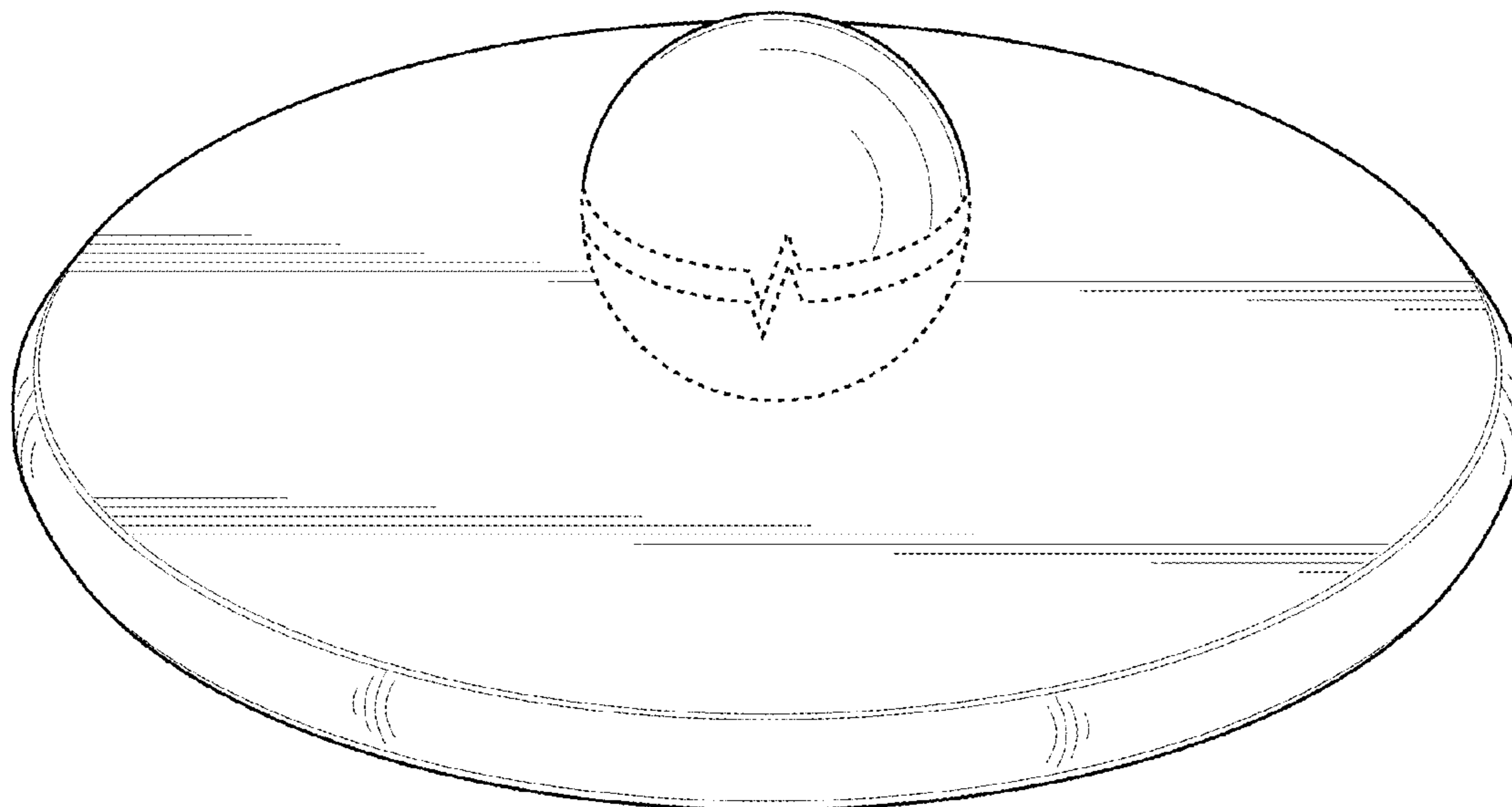
FIG. 2 is a front side view of the trigger point therapy device of FIG. 1, the rear side view, the left side view, and the right side view being the same as the front side view.

FIG. 3 is a top view of the trigger point therapy device of FIG. 1; and,

FIG. 4 is a bottom view of the trigger point therapy device of FIG. 1.

The broken lines in the drawings are for the purposes of illustrating portions of the trigger point therapy device, which form no part of the claimed design.

**1 Claim, 3 Drawing Sheets**



# US D910,864 S

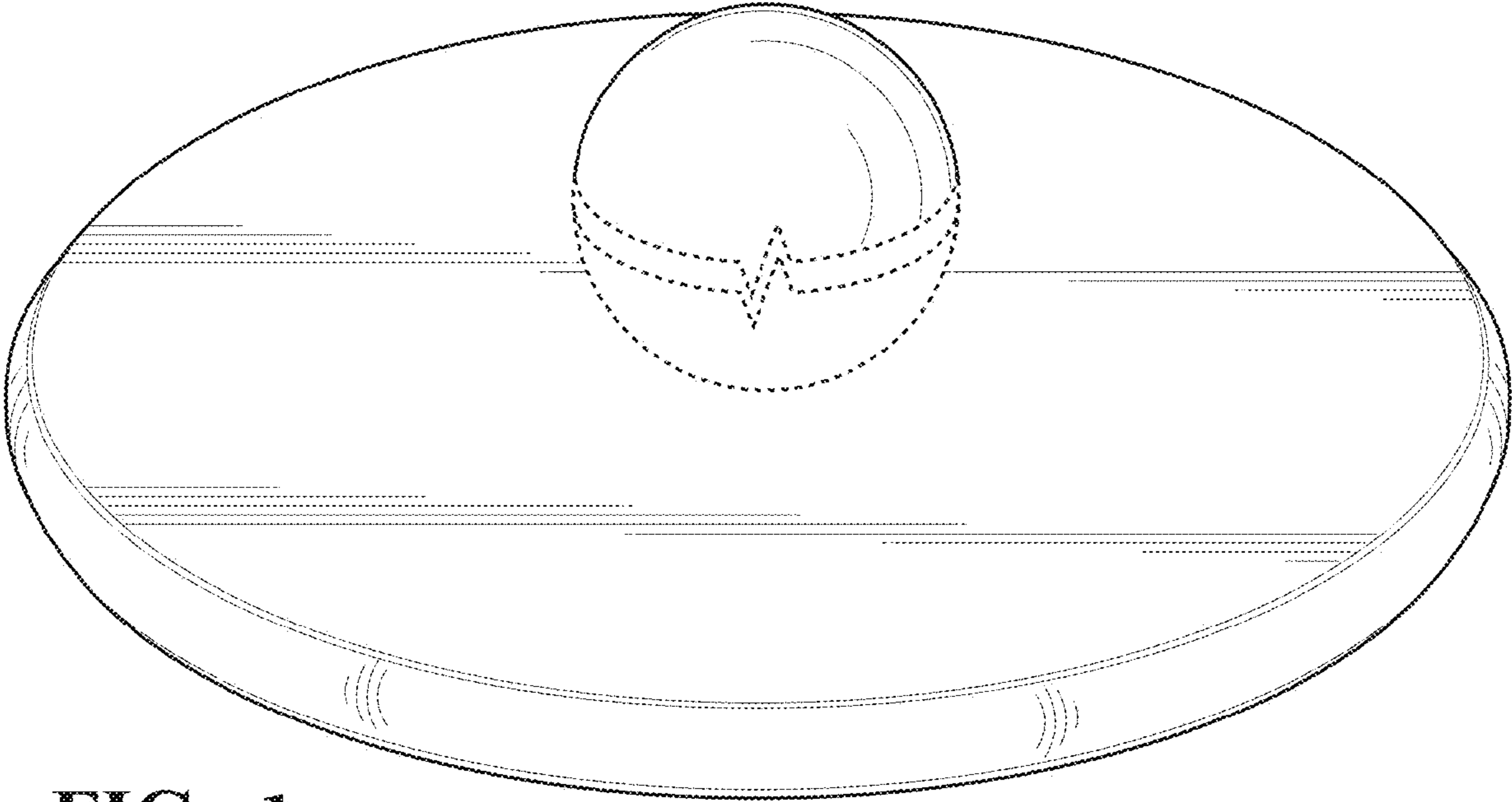
(56)

## References Cited

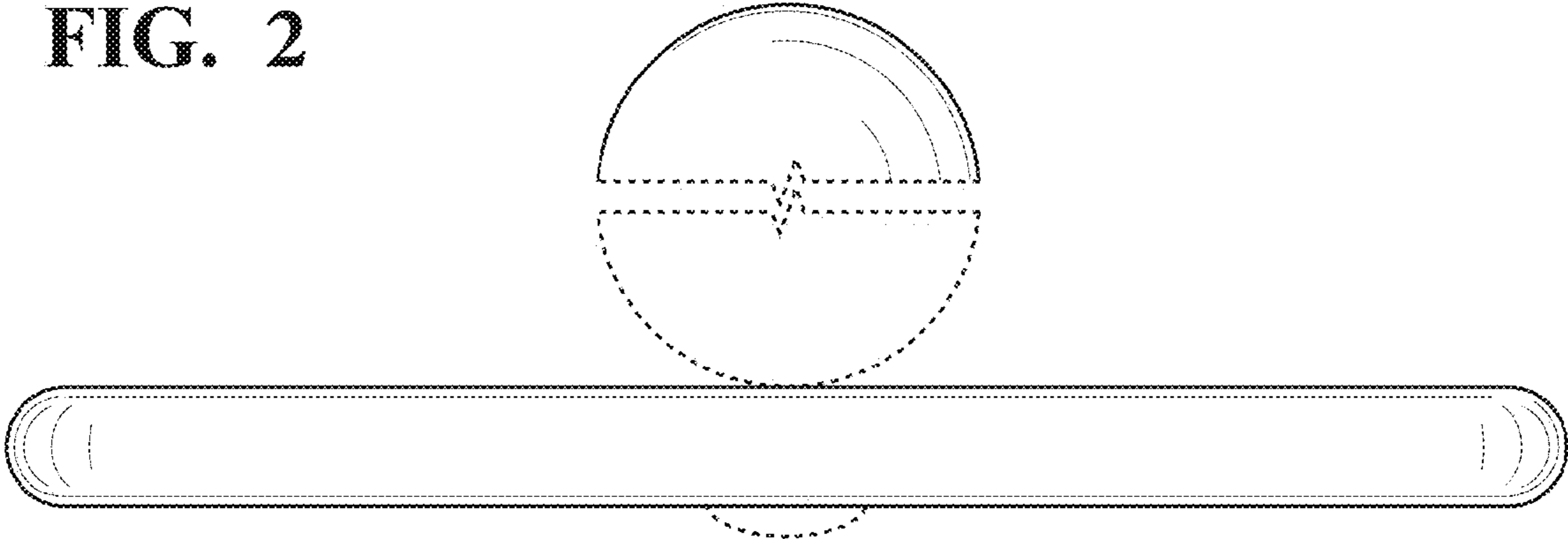
### U.S. PATENT DOCUMENTS

<p>D358,654 S D373,195 S D374,082 S * 5,643,164 A *  D399,965 S D403,428 S D403,774 S D405,563 S 5,913,839 A D412,768 S 6,093,159 A 6,109,999 A 6,146,343 A 6,168,551 B1 *  6,309,331 B1 6,390,997 B1 D480,811 S D481,131 S D491,271 S D491,671 S D496,110 S * D536,396 S 7,288,055 B2 7,458,945 B2 D586,470 S D609,802 S 7,775,952 B1 D627,015 S * D632,396 S D652,181 S D660,928 S 8,224,464 B2 8,337,435 B2 D688,379 S D691,279 S 8,597,163 B2 D701,964 S D709,136 S D709,137 S D721,819 S 8,998,832 B2 D731,004 S D731,048 S 9,079,072 B2</p>	<p>5/1995 8/1996 9/1996 7/1997  10/1998 12/1998 1/1999 2/1999 6/1999 8/1999 7/2000 8/2000 11/2000 1/2001  10/2001 5/2002 10/2003 10/2003 6/2004 6/2004 9/2004 2/2007 10/2007 12/2008 2/2009 2/2010 8/2010 11/2010 2/2011 1/2012 5/2012 7/2012 12/2012 8/2013 10/2013 12/2013 4/2014 7/2014 7/2014 1/2015 4/2015 6/2015 6/2015 7/2015</p>	<p>Smith Hoff Vitko ..... D24/211 Teff ..... A63B 22/16 482/146  Laughlin et al. Russo Laughlin et al. Baiera et al. Wincek Huettnner et al. Racoosin Kuo Stewart McGuinness ..... A63B 69/0093 434/247  Raymond Vitko Horhota et al. Saim et al. Siegfried Kim Kim ..... D24/211 Crane et al. Blaum Zemont Warder Harren Curran et al. Senegal ..... D21/689 Kasabach et al. Lee Guarrasi Wise Wise Ehlers Hane-Karr Chiu Yoneta et al. Goldman et al. Goldman Lethorn Almeida Estrada, Jr. et al. Winter Agnostini</p>	<p>D736,864 S D740,432 S D749,682 S *  D754,358 S D758,595 S D759,257 S 9,387,363 B1 D776,285 S D791,247 S D810,952 S D812,320 S D819,824 S D822,221 S D832,452 S D838,861 S 10,207,150 B2 D843,002 S D844,796 S D845,499 S D848,623 S * D863,582 S D868,278 S D870,828 S * D878,499 S * D886,922 S * D895,130 S * 2004/0198573 A1 *  2006/0211553 A1 *  2009/0210027 A1 2011/0071446 A1 2012/0059405 A1 2012/0253379 A1 2013/0017937 A1 *  2013/0116100 A1 2013/0116600 A1 2013/0252217 A1 2013/0288866 A1 *  2015/0238793 A1 2016/0256746 A1 2017/0273850 A1 * 2018/0256441 A1 2020/0114200 A1 * 2020/0238135 A1 *</p>	<p>8/2015 10/2015 2/2016  4/2016 6/2016 6/2016 7/2016 1/2017 7/2017 2/2018 3/2018 6/2018 7/2018 10/2018 1/2019 2/2019 3/2019 4/2019 4/2019 5/2019 10/2019 11/2019 12/2019 3/2020 6/2020 9/2020 10/2004 9/2006  8/2009 3/2011 3/2012 10/2012 1/2013  5/2013 5/2013 9/2013 10/2013  8/2015 9/2016 9/2017 9/2018 4/2020 7/2020</p>	<p>Laggan Wu Thomason ..... A63B 23/1236 D21/662  Krullaards Zhao Chen Polinsky Dinger O'Brien Hsu Stone Moehlenbrock Huth et al. Adams Smith Noorzai Yarborough Wise Wersland et al. Franche ..... D24/188 Wise Smith et al. Dicharry ..... D21/688 Melgoza ..... D21/688 Hwang ..... D21/689 Wise ..... D24/211 Brydson ..... A63B 26/003 482/146 Cantor ..... A63B 22/18 482/146  Wise Citrin Reynolds et al. Wise Guarrasi ..... A63B 22/18 482/142  Chen Wise Grzesiak et al. Rainey ..... A63B 22/18 482/146  Kramer Kramer et al. Wise ..... A61H 7/001 Smith Dicharry ..... A63B 21/00069 Stehlik ..... A63B 22/16</p>
---	--	--	--	---	--

\* cited by examiner



**FIG. 1**



**FIG. 2**

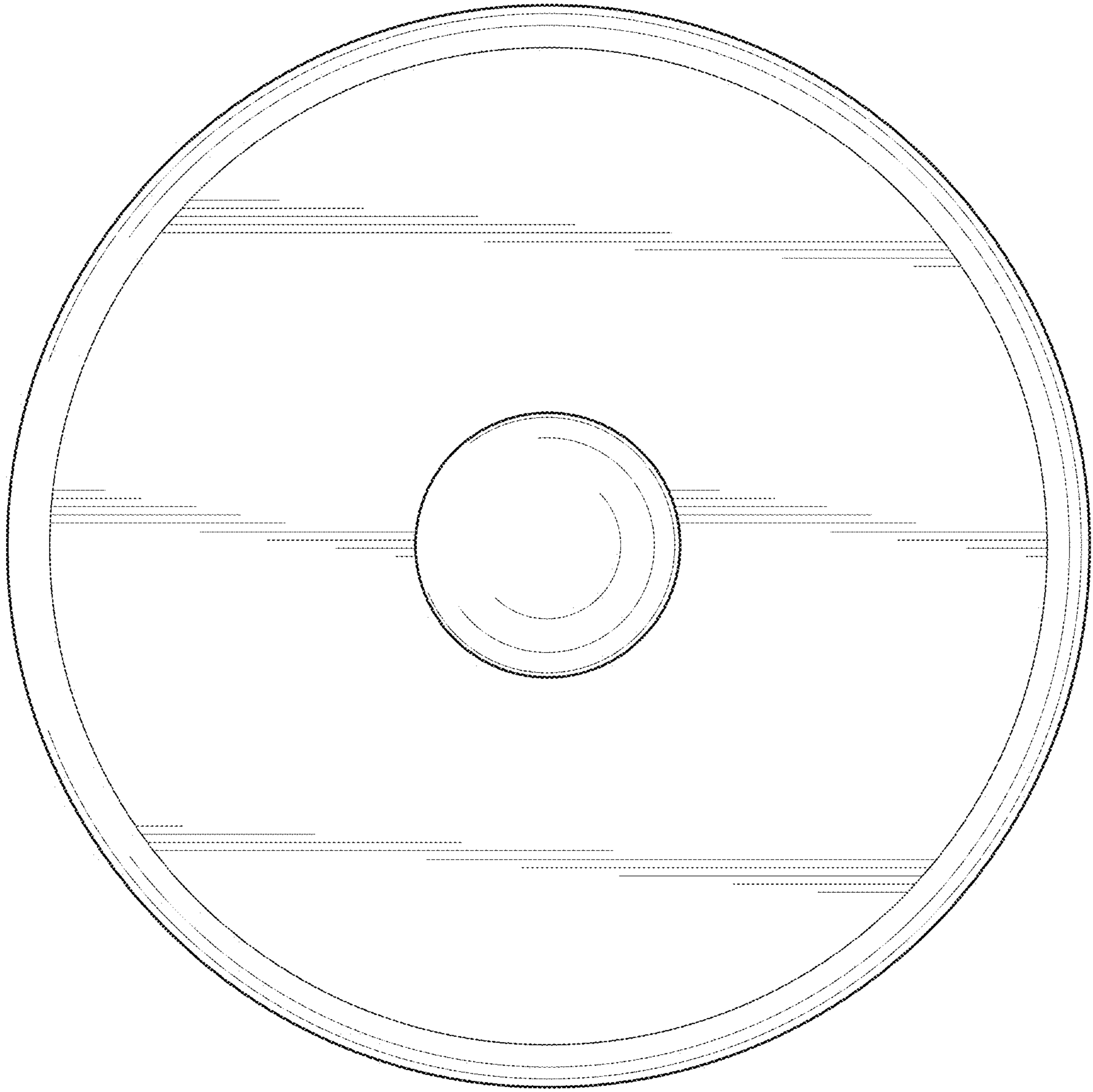


FIG. 3

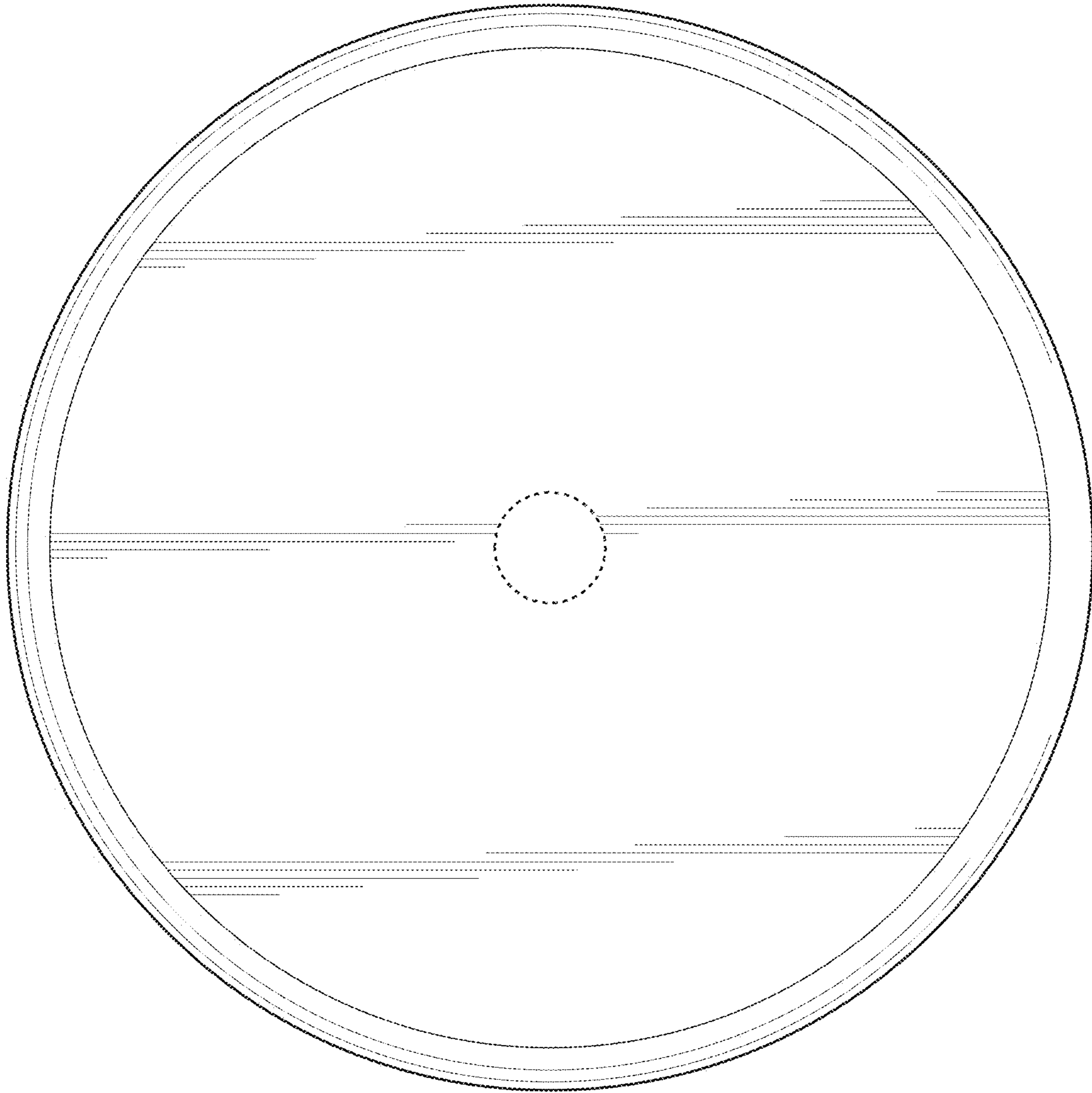


FIG. 4