



US00D910862S

(12) **United States Design Patent** (10) **Patent No.:** **US D910,862 S**
Rabin et al. (45) **Date of Patent:** **** Feb. 16, 2021**

(54) **WEARABLE THERAPEUTIC STIMULATION DEVICE HAVING A RETAINER CLIP FOR A BAND**

FOREIGN PATENT DOCUMENTS

(71) Applicant: **Apollo Neuroscience, Inc.**, Pittsburgh, PA (US)

EM 007439344-0001 2/2020

Primary Examiner — Wan Laymon

(72) Inventors: **David Mayer Lowell Rabin**, Pittsburgh, PA (US); **Kathryn Fantauzzi**, Pittsburgh, PA (US); **Raymond G. Pelletier**, Ben Avon, PA (US); **John Joseph Maholtz**, Irwin, PA (US); **Doug Zatezalo**, Allison Park, PA (US); **Gregoire B. Aby-Eva**, Pittsburgh, PA (US); **Elijah M. Wiegmann**, Wexford, PA (US)

(74) *Attorney, Agent, or Firm* — GTC Law Group PC & Affiliates

(73) Assignee: **Apollo Neuroscience, Inc.**, Pittsburgh, PA (US)

(57) **CLAIM**

The ornamental design for a wearable therapeutic stimulation device having a retainer clip for a band, as shown and described.

(**) Term: **15 Years**

DESCRIPTION

(21) Appl. No.: **29/697,039**

FIG. 1 is a front plan view of the wearable therapeutic stimulation device having a retainer clip for a band; FIG. 2 is right side plan view of the new design; FIG. 3 is lower edge plan view of the new design; FIG. 4 is a back plan view of the new design; FIG. 5 is a front perspective view of the right side of the new design; FIG. 6 is a left side plan view of the new design; FIG. 7 is an upper edge view of the new design; FIG. 8 is a front plan view of the wearable therapeutic stimulation device having a retainer clip for a band when attached to a band; FIG. 9 is right side plan view of the new design when attached to a band; FIG. 10 is a left side plan view of the new design when attached to a band; FIG. 11 is a back plan view of the new design when attached to a band; FIG. 12 is a back perspective view of the left side of the new design when attached to a band; and, FIG. 13 is a front perspective view of the right side of the new design when attached to a band. The broken lines are for environmental purposes only and form no part of the claimed design.

(22) Filed: **Jul. 3, 2019**

(51) **LOC (13) Cl.** **28-03**

(52) **U.S. Cl.**
USPC **D24/200**

(58) **Field of Classification Search**
USPC D24/200, 214–215, 190, 184–186
CPC A61M 21/02; A61N 1/36; A61N 1/36003; A61N 1/36057; A61N 1/3606; A61N 1/36157; A61N 1/3616; A61N 1/0404; A61N 2/004

See application file for complete search history.

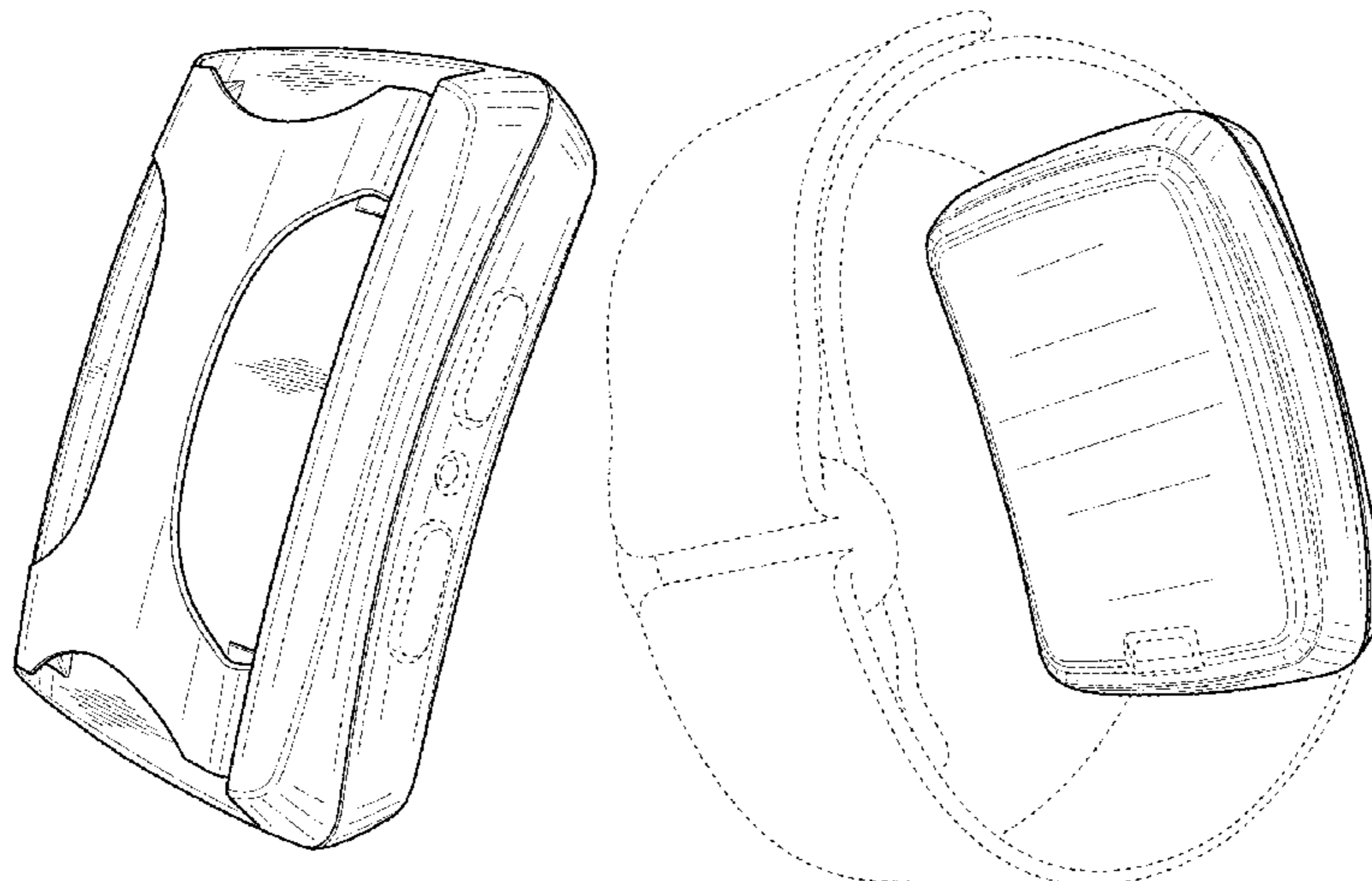
(56) **References Cited**

U.S. PATENT DOCUMENTS

D716,457 S	*	10/2014	Brefka	D24/186
D735,873 S	*	8/2015	Brefka	D24/200
D742,020 S	*	10/2015	Russold	D24/200
D747,494 S	*	1/2016	Tamsiran	D24/186
D773,057 S	*	11/2016	Vandiver	D24/186

(Continued)

1 Claim, 6 Drawing Sheets



(56)

References Cited

U.S. PATENT DOCUMENTS

D860,467 S * 9/2019 Blake D24/200
2020/0215296 A1 * 7/2020 Rabin A61M 21/02

* cited by examiner

FIG. 1

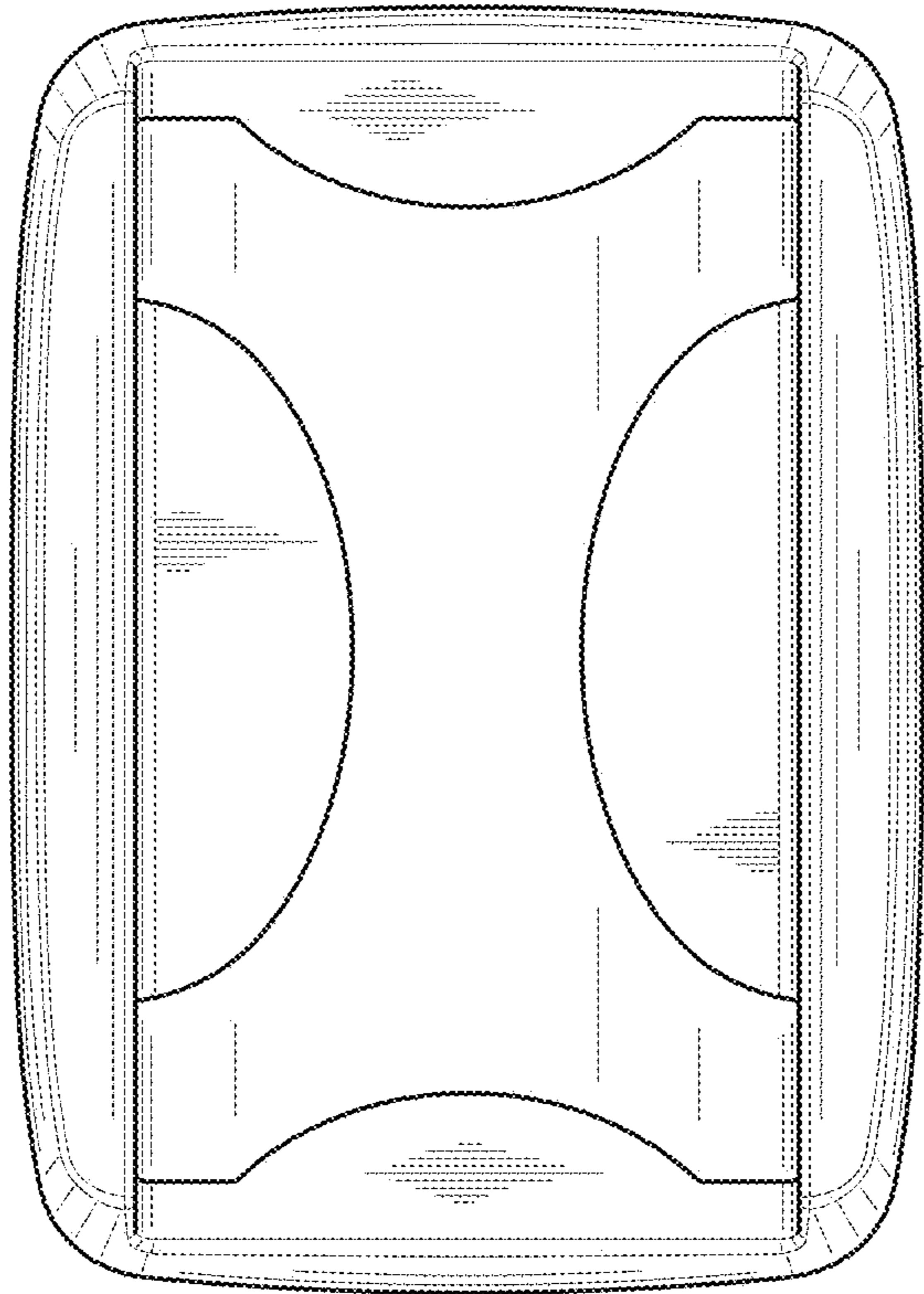


FIG. 2

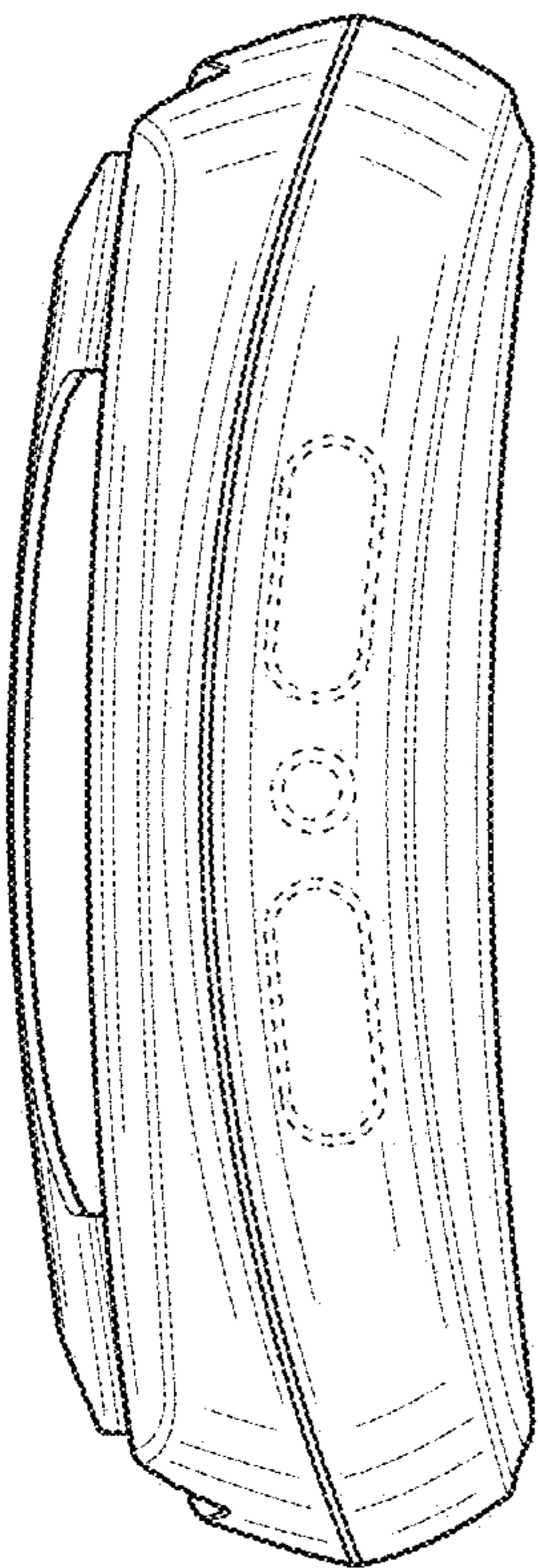


FIG. 3

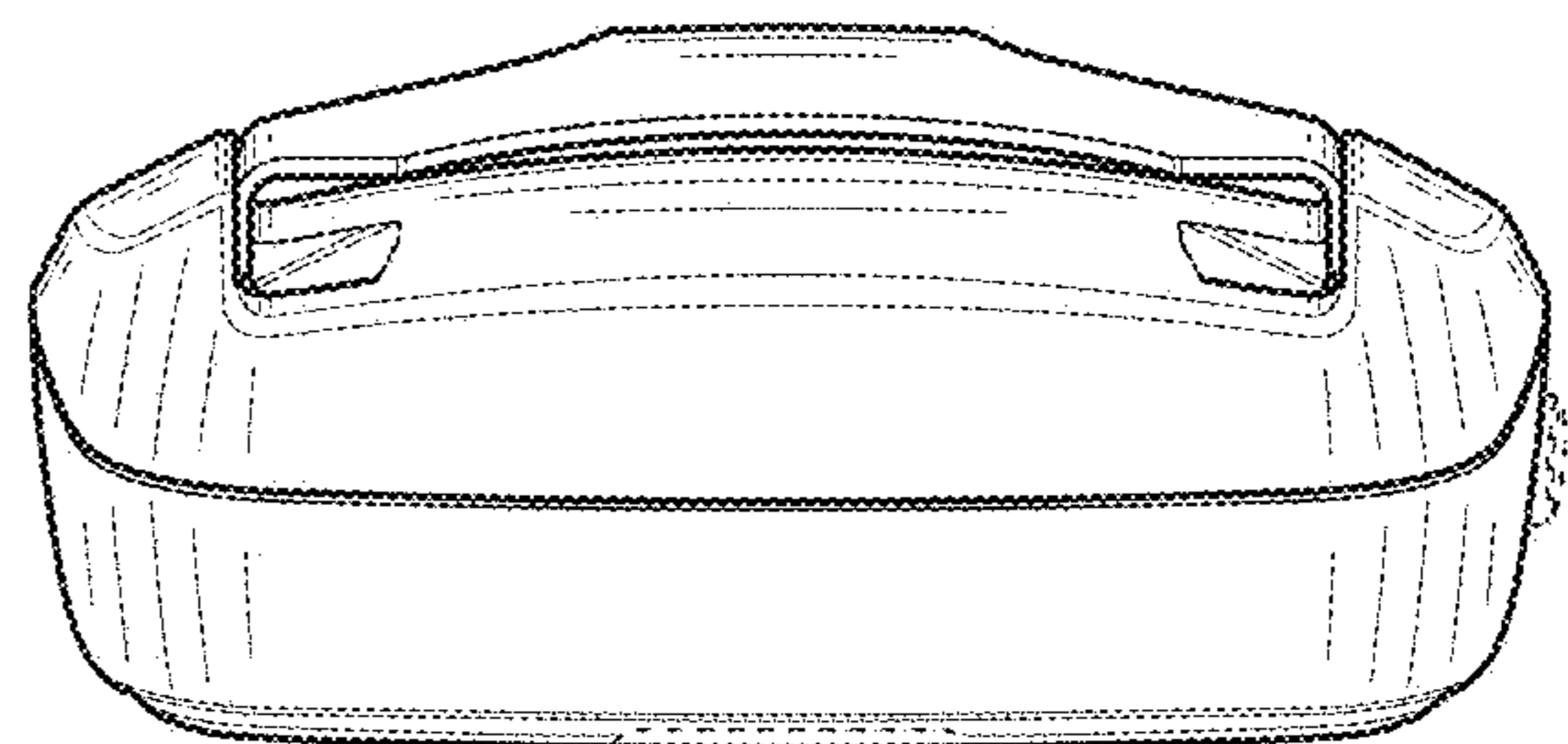


FIG. 4

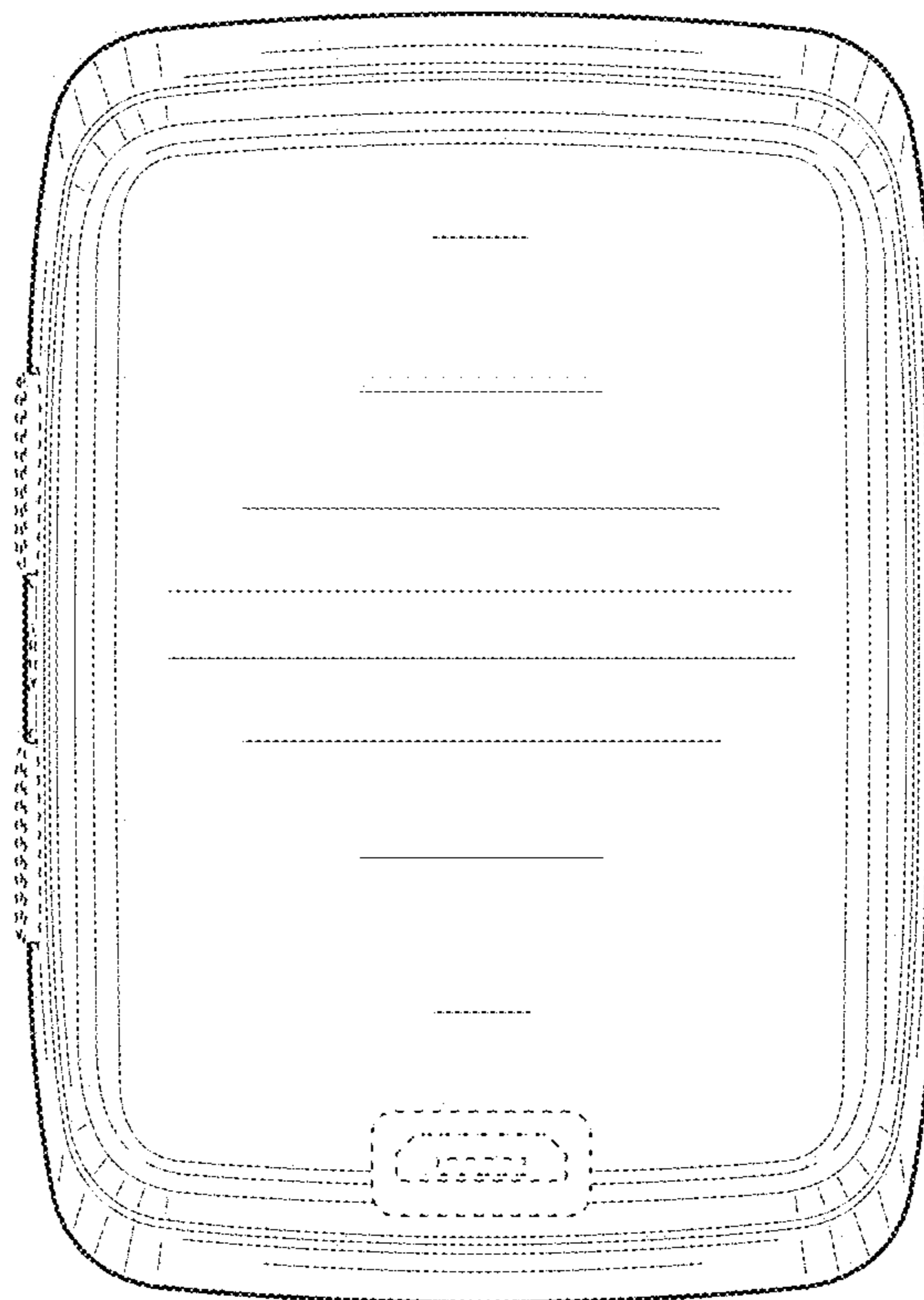


FIG. 5

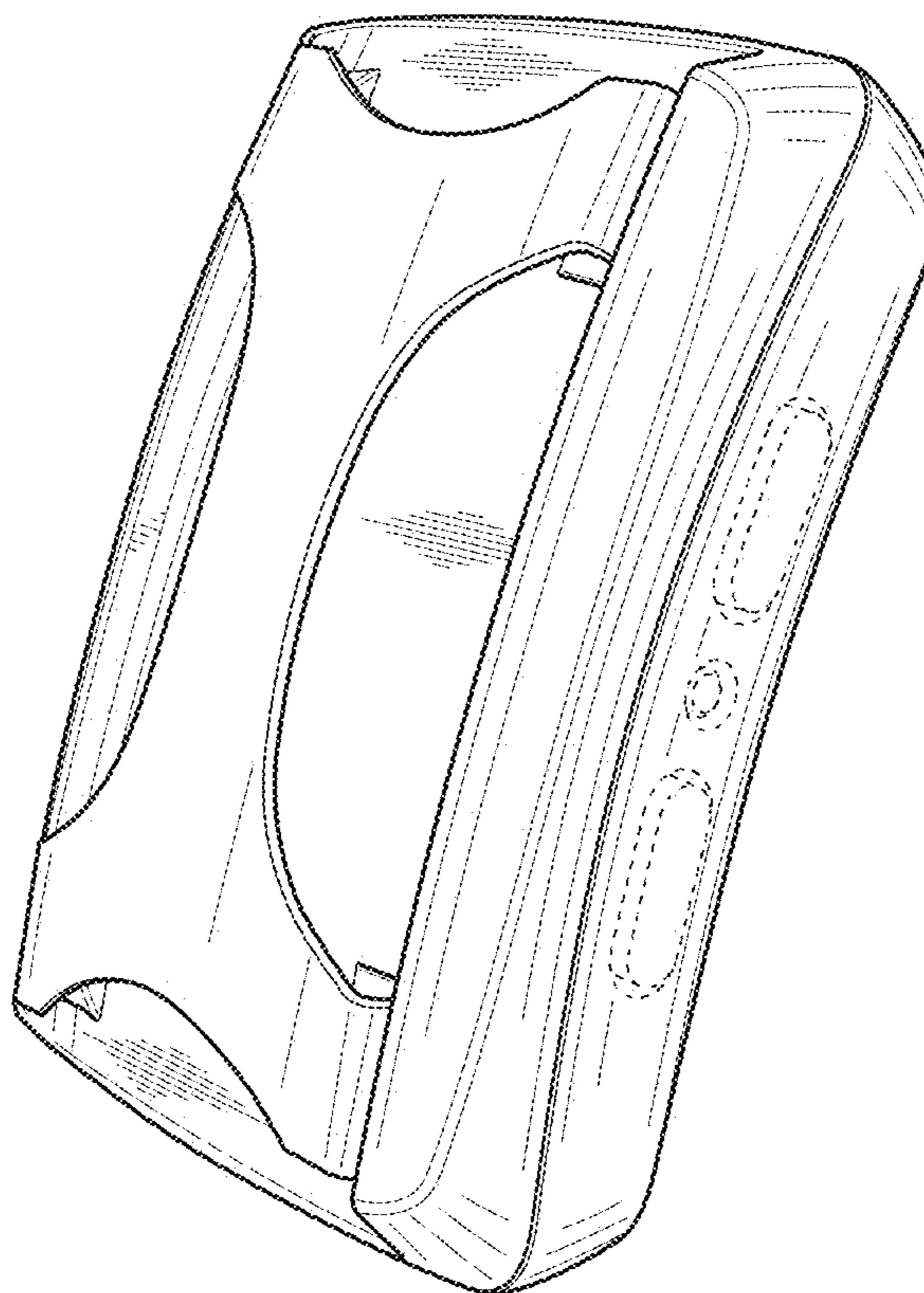


FIG. 6

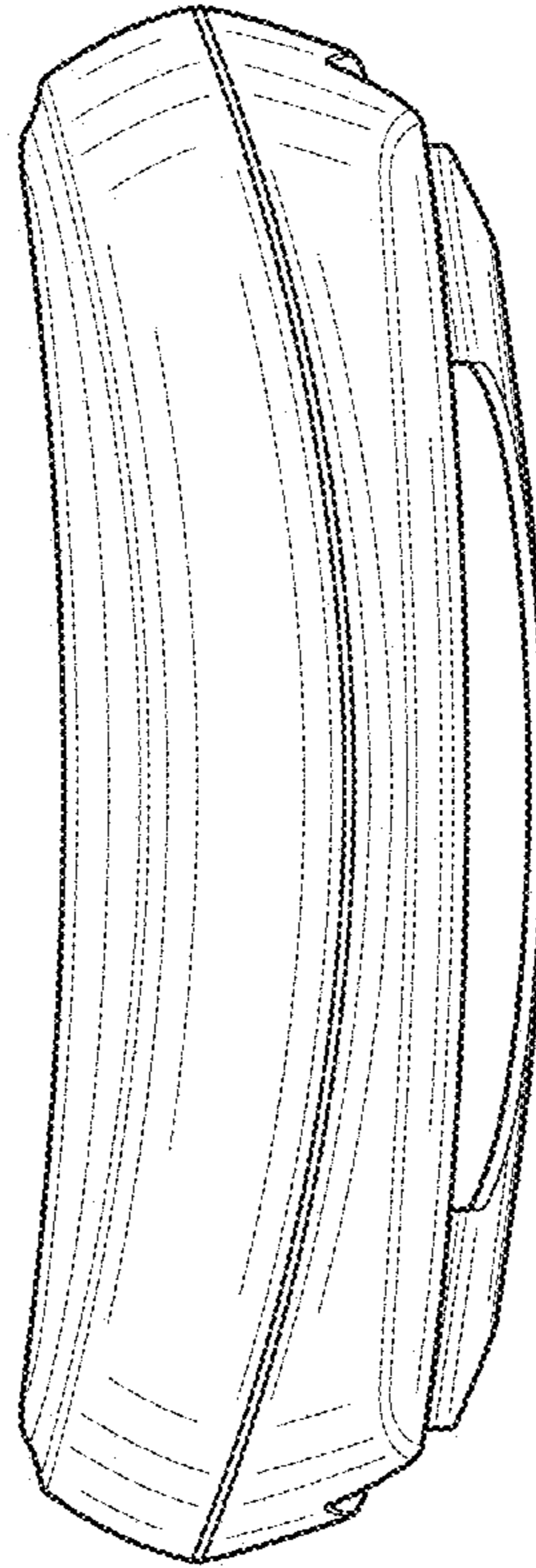


FIG. 7

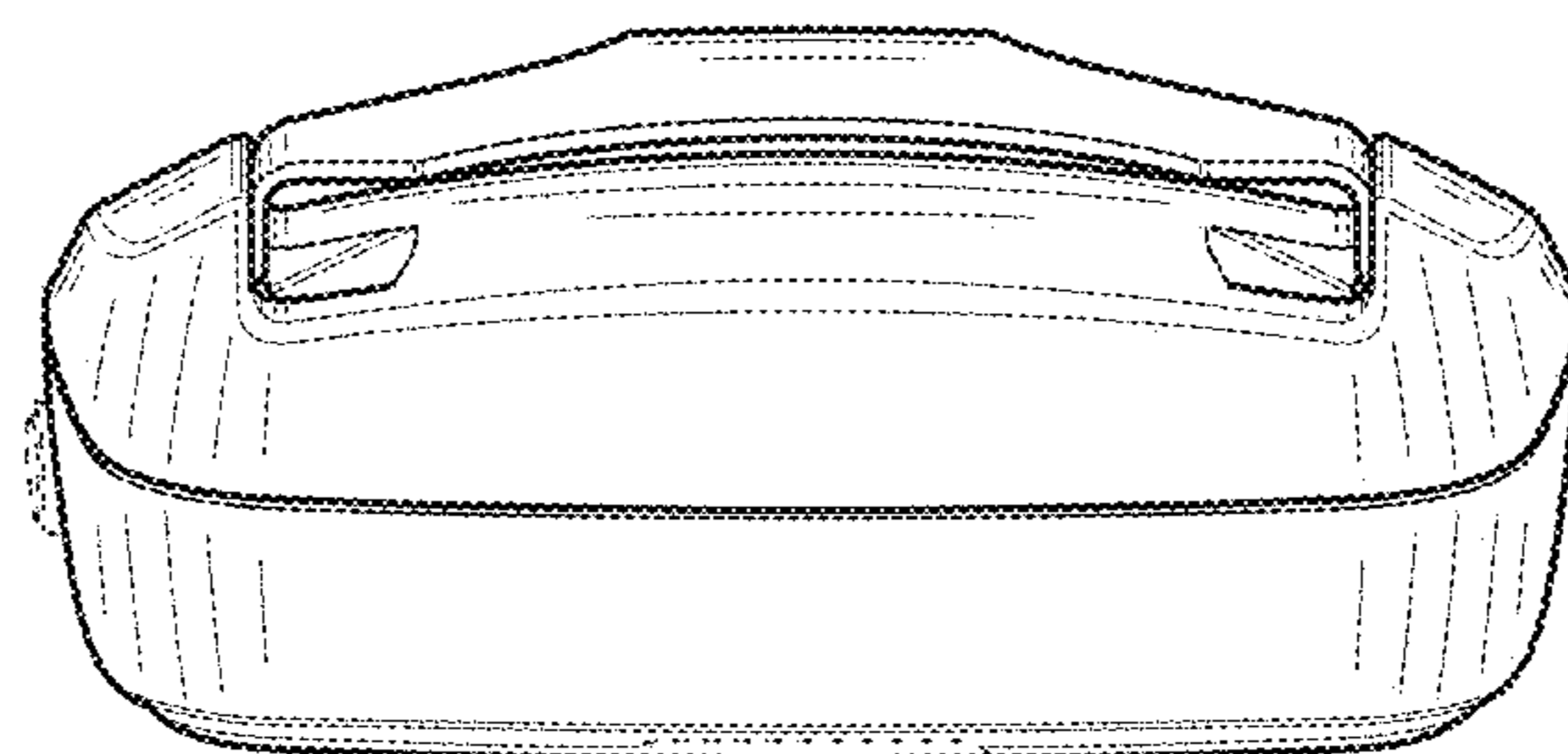


FIG. 8

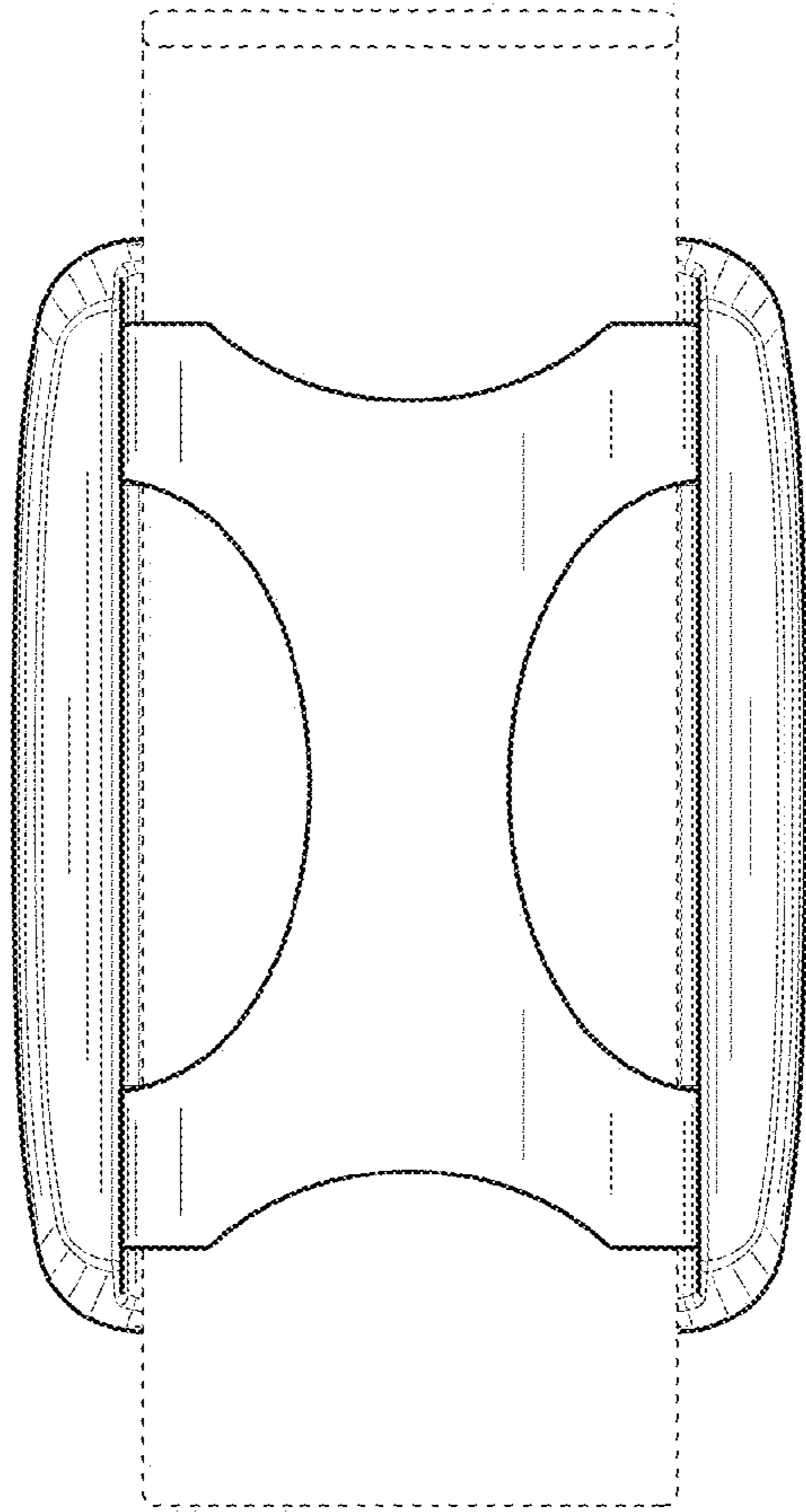


FIG. 9

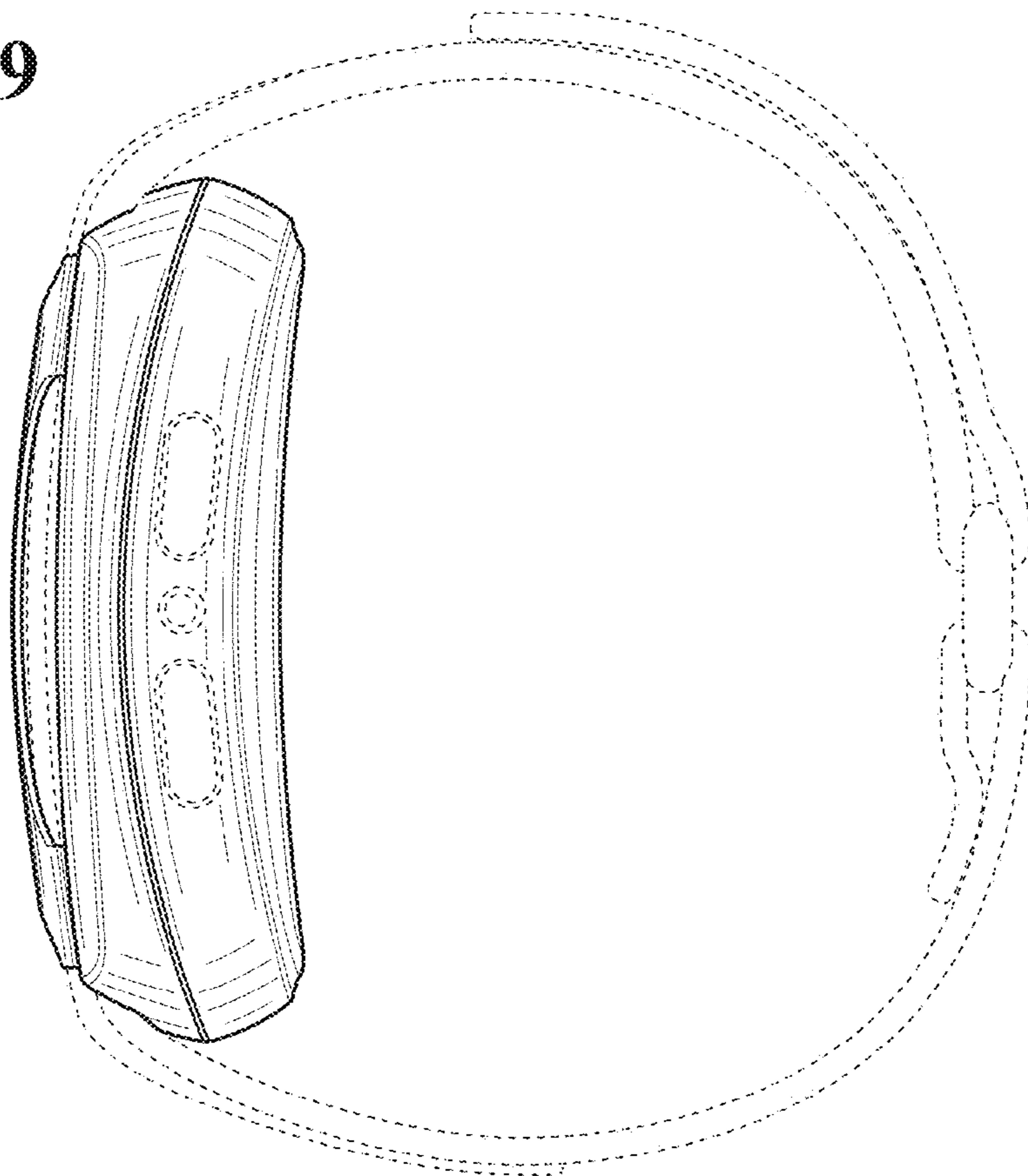


FIG. 10

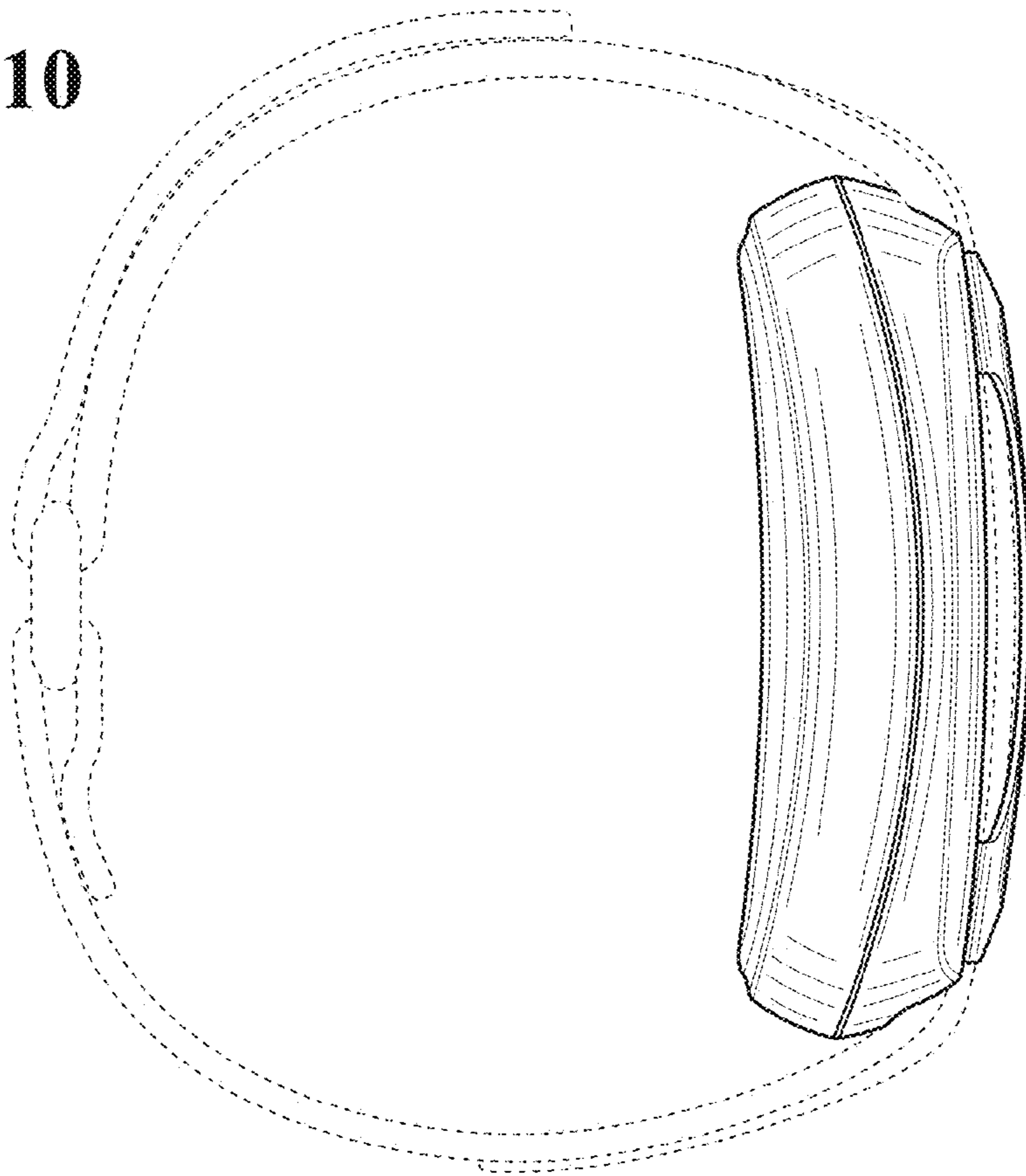


FIG. 11

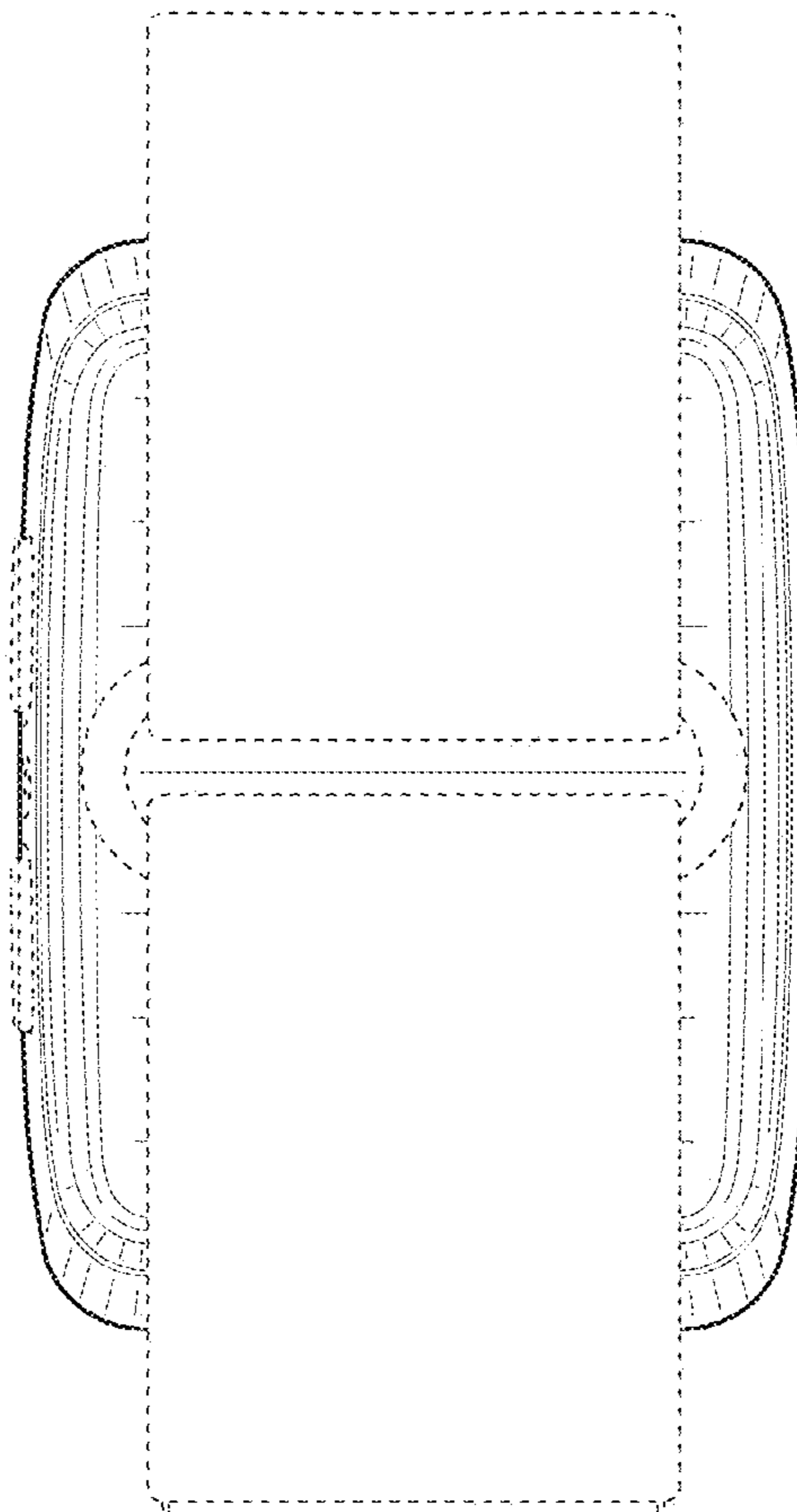


FIG. 12

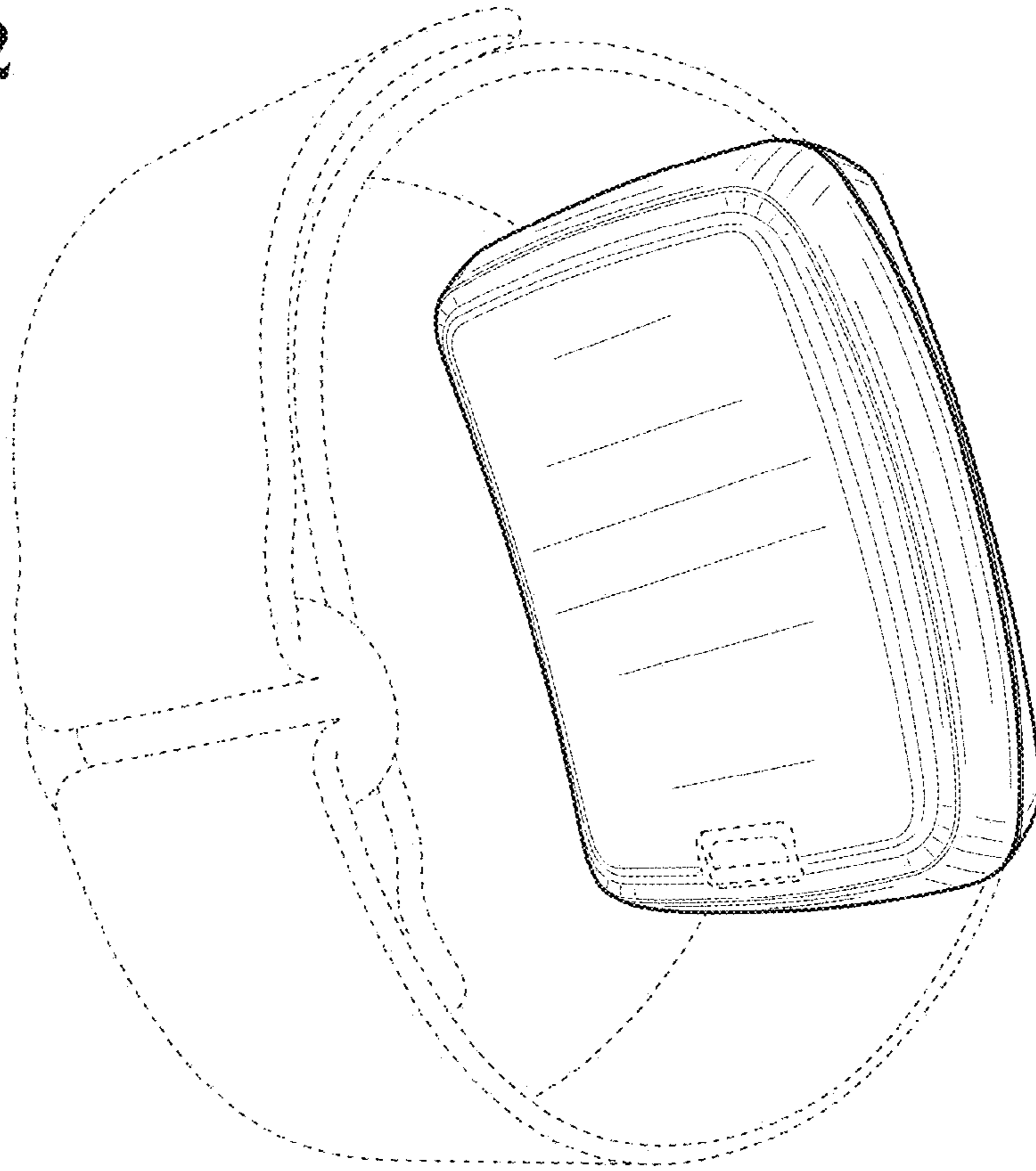


FIG. 13

