



US00D910861S

(12) **United States Design Patent** (10) **Patent No.:** **US D910,861 S**
Cannon et al. (45) **Date of Patent:** **** Feb. 16, 2021**

(54) **BOTTLE WITH SLEEVE**
(71) Applicant: **i play. inc.**, Asheville, NC (US)
(72) Inventors: **Becky B. Cannon**, Asheville, NC (US);
Emi Kubota, Asheville, NC (US)
(73) Assignee: **Green Sprouts, Inc.**, Asheville, NC (US)

7,111,753 B2 9/2006 Scheetz et al.
D547,875 S 7/2007 Pillado
D599,481 S 9/2009 Drummond
(Continued)

FOREIGN PATENT DOCUMENTS

AU 2008296191 B2 9/2013
CA 2697180 8/2014
DE 29718321 U1 2/1998

OTHER PUBLICATIONS

“Boon Nursh Silicone Pouch Bottle”. Found online Apr. 12, 2018 at amazon.ca. Reference dated Apr. 2, 2018. Retrieved from https://www.amazon.ca/Boon-Nursh-Silicone-Pouch-Bottle/dp/B07BL7ZXW9/ref=sr_1_112?ie=UTF8&qid=1523552076&sr=8-112&keywords=boon.*

(Continued)

Primary Examiner — Kendra Leslie Hamilton
(74) *Attorney, Agent, or Firm* — Luedeka Neely Group, PC

(**) Term: **15 Years**
(21) Appl. No.: **29/680,570**
(22) Filed: **Feb. 26, 2019**
(51) **LOC (13) Cl.** **07-01**
(52) **U.S. Cl.**
USPC **D24/197**
(58) **Field of Classification Search**
USPC D24/193, 194, 195, 196, 197, 198, 199;
D7/392, 510, 511, 619.1; D9/516, 530,
D9/719, 761; D3/316, 229
CPC A61J 9/00; A61J 9/001; A61J 9/06
See application file for complete search history.

(57) **CLAIM**

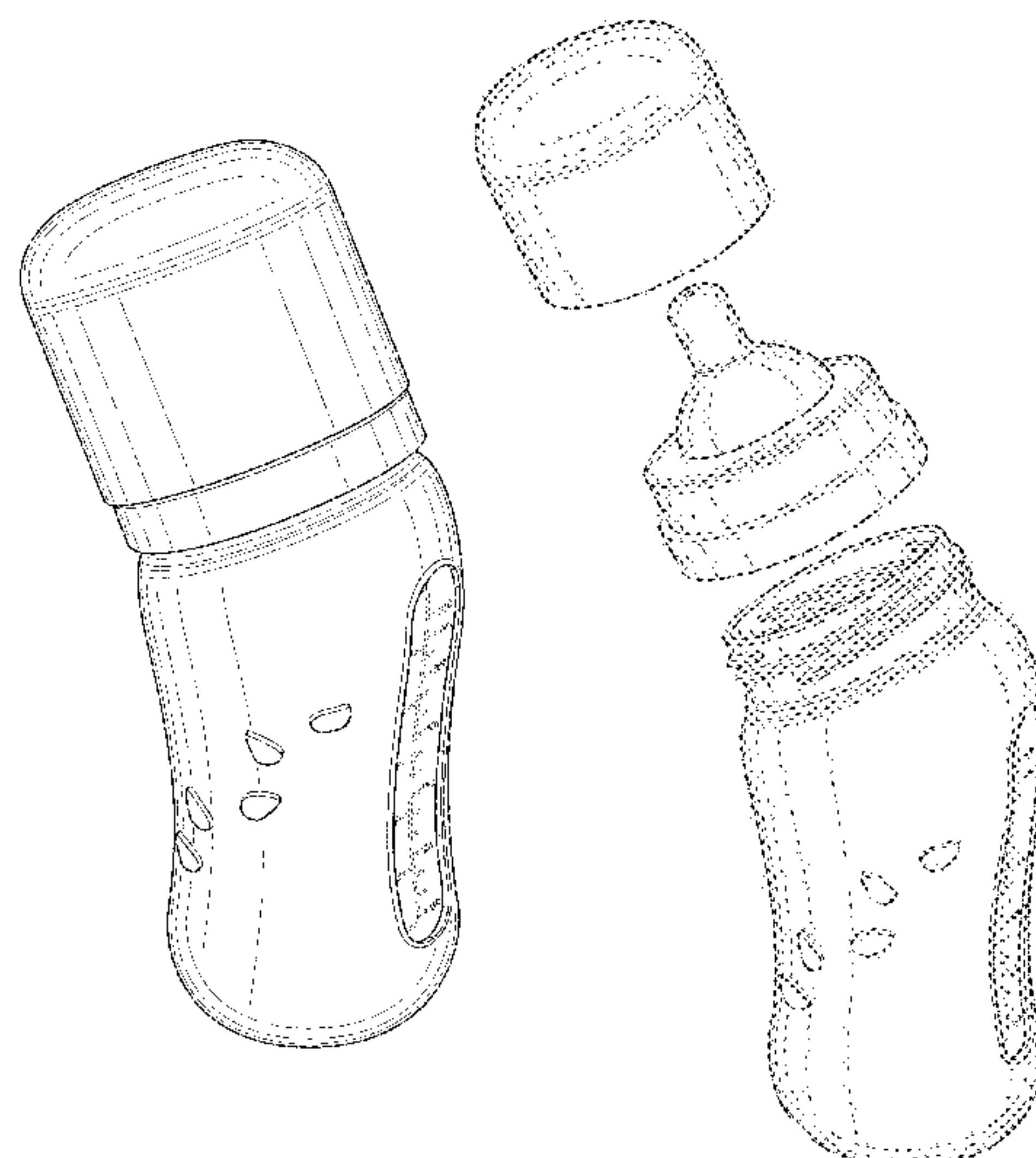
The ornamental design for a bottle with sleeve, as shown and described.

DESCRIPTION

FIG. 1 is a top, front, left perspective view of a bottle with sleeve showing our new design;
FIG. 2 is a front elevation view thereof;
FIG. 3 is a rear elevation view thereof;
FIG. 4 is a right side elevation view thereof;
FIG. 5 is a left side elevation view thereof;
FIG. 6 is a top plan view thereof;
FIG. 7 is a bottom plan view thereof; and,
FIG. 8 is a top, front, left perspective view of the bottle with sleeve of FIG. 1, shown exploded for clarity of disclosure. The broken lines in the drawings depict portions of the bottle with sleeve that form no part of the claimed design.

1 Claim, 7 Drawing Sheets

(56) **References Cited**
U.S. PATENT DOCUMENTS
1,690,509 A 11/1928 Thoreson et al.
2,706,571 A 4/1955 Ryan
2,785,985 A 3/1957 Magill
2,818,990 A 1/1958 Richard
3,604,584 A 9/1971 Shank, Jr.
3,698,586 A 10/1972 Turner
4,067,949 A 1/1978 Karabedian
4,420,578 A 12/1983 Hagens et al.
4,821,896 A * 4/1989 Cheng A61J 9/001
215/11.3
D413,983 S * 9/1999 Shaw D24/199
6,073,788 A 6/2000 Stroud
6,237,787 B1 5/2001 Gallo et al.
D470,593 S * 2/2003 Iodice D24/197
D511,836 S * 11/2005 Morano D24/197
6,983,843 B2 1/2006 Geert et al.



(56)

References Cited

OTHER PUBLICATIONS

U.S. PATENT DOCUMENTS

D604,042 S * 11/2009 Lown D3/229
D650,233 S * 12/2011 Roehrig D24/197
8,132,683 B2 3/2012 Rund et al.
8,297,469 B1 10/2012 Alford et al.
8,579,133 B2 11/2013 Marcus et al.
D696,410 S * 12/2013 Tollman D24/197
D707,087 S 6/2014 Joy
8,978,906 B2 3/2015 Feeley et al.
9,227,761 B2 1/2016 Knaack
9,266,643 B2 2/2016 Marcus et al.
D761,623 S * 7/2016 Leimone D7/507
D781,113 S * 3/2017 Kocsis D7/624.2
D836,459 S * 12/2018 Thuesen D9/716
2003/0146228 A1 8/2003 Davis et al.
2008/0078824 A1 4/2008 Spriegel et al.
2011/0056968 A1* 3/2011 McNamara A47G 19/2272
220/714
2014/0069888 A1* 3/2014 Warden A61J 9/08
215/386
2016/0362226 A1 12/2016 Marcus et al.
2019/0110956 A1* 4/2019 Smith A61J 11/045

“Dr Brown’s: Protective Bottle Sleeve”. Found online Jan. 3, 2014 at amazon.com. Reference dated Mar. 4, 2011. Retrieved from http://www.amazon.com/Protective-Bottle-Sleeve-Pink-pack/dp/B009CASEMK/ref=cm_cr_pr_product_top.*

“Tommee Tippee Ultra Bottles”. Found online Feb. 12, 2018 at amazon.com. Reference dated Oct. 6, 2016. Retrieved from https://www.amazon.com/Tommee-Tippee-Ultra-Bottles-Ounce/dp/B01HOHLH1M/ref=cm_cr_arp_d_product_top?ie=UTF8&th=1.* Lifefactory Mixed Starter Set the date of this publication is not known, but it is requested that it be considered as prior art for purposes of examination. United States.

Zulu Athletic Atlas 20 oz Glass Water Bottle the date of this publication is not known, but it is requested that it be considered as prior art for purposes of examination. United States.

* cited by examiner



FIG. 1

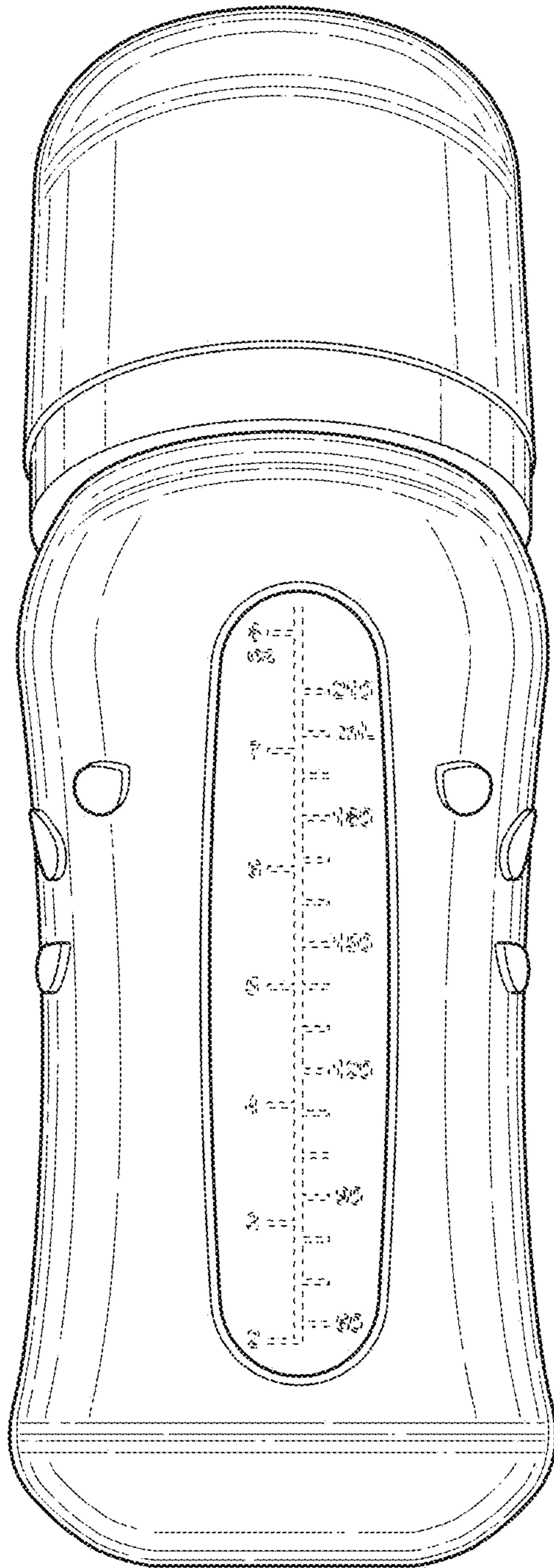


FIG. 2

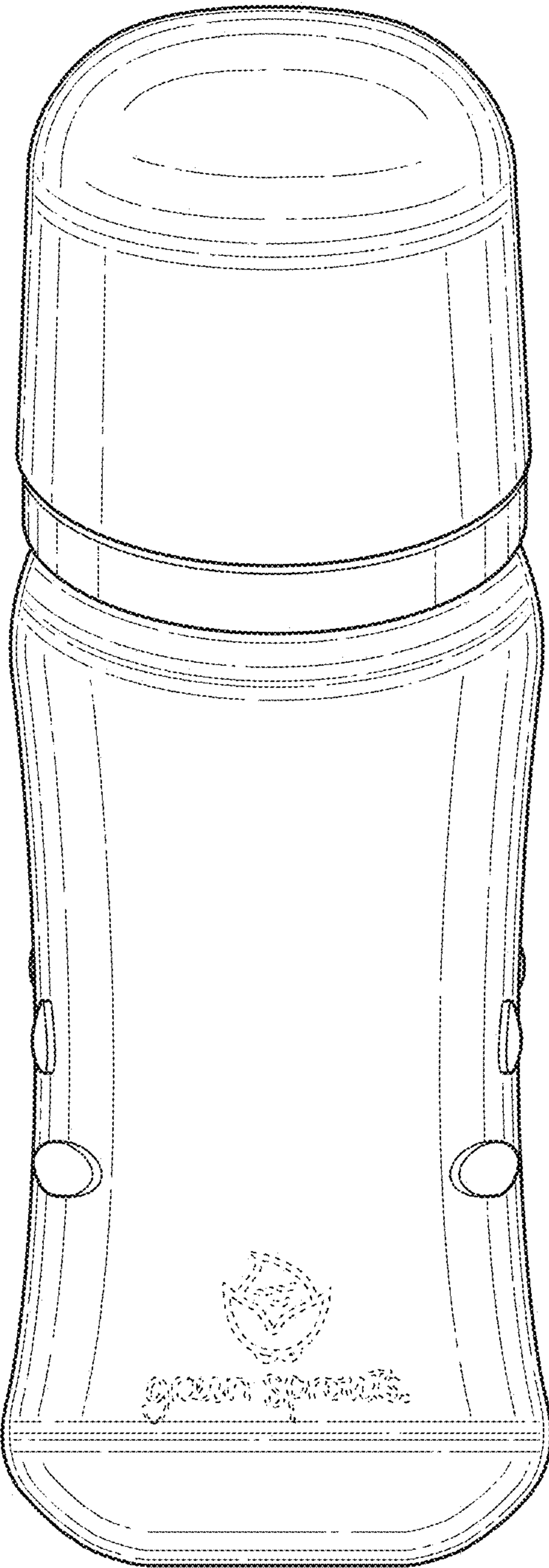


FIG. 3

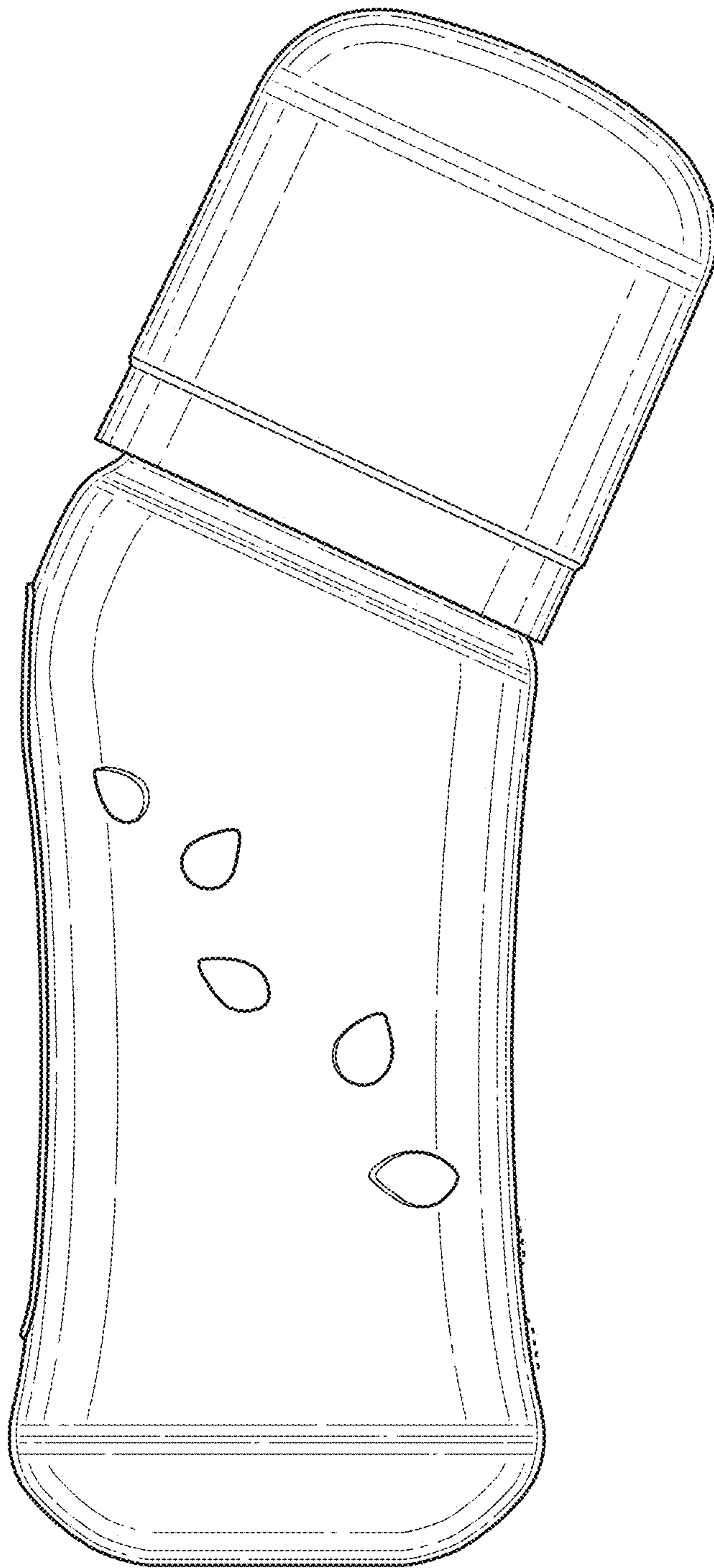


FIG. 4

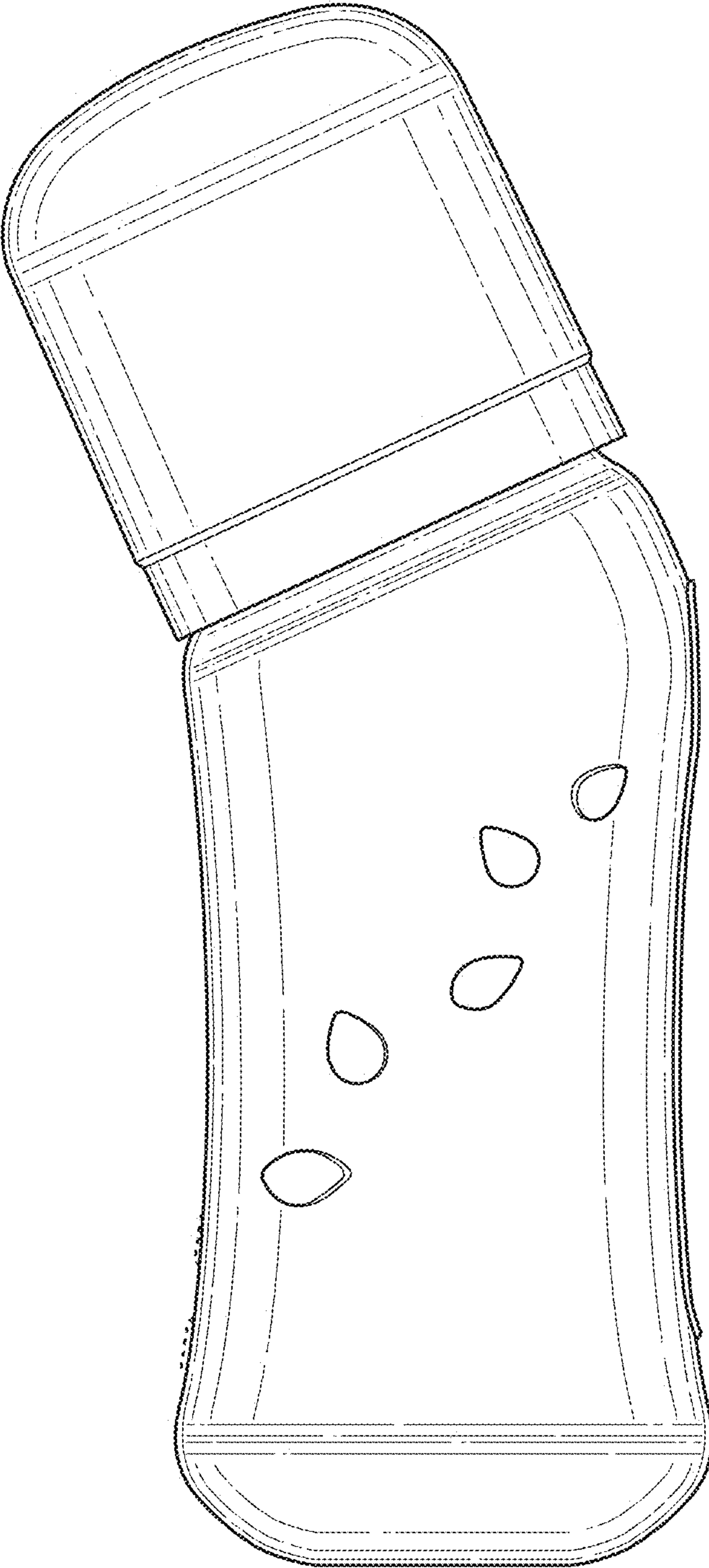


FIG. 5

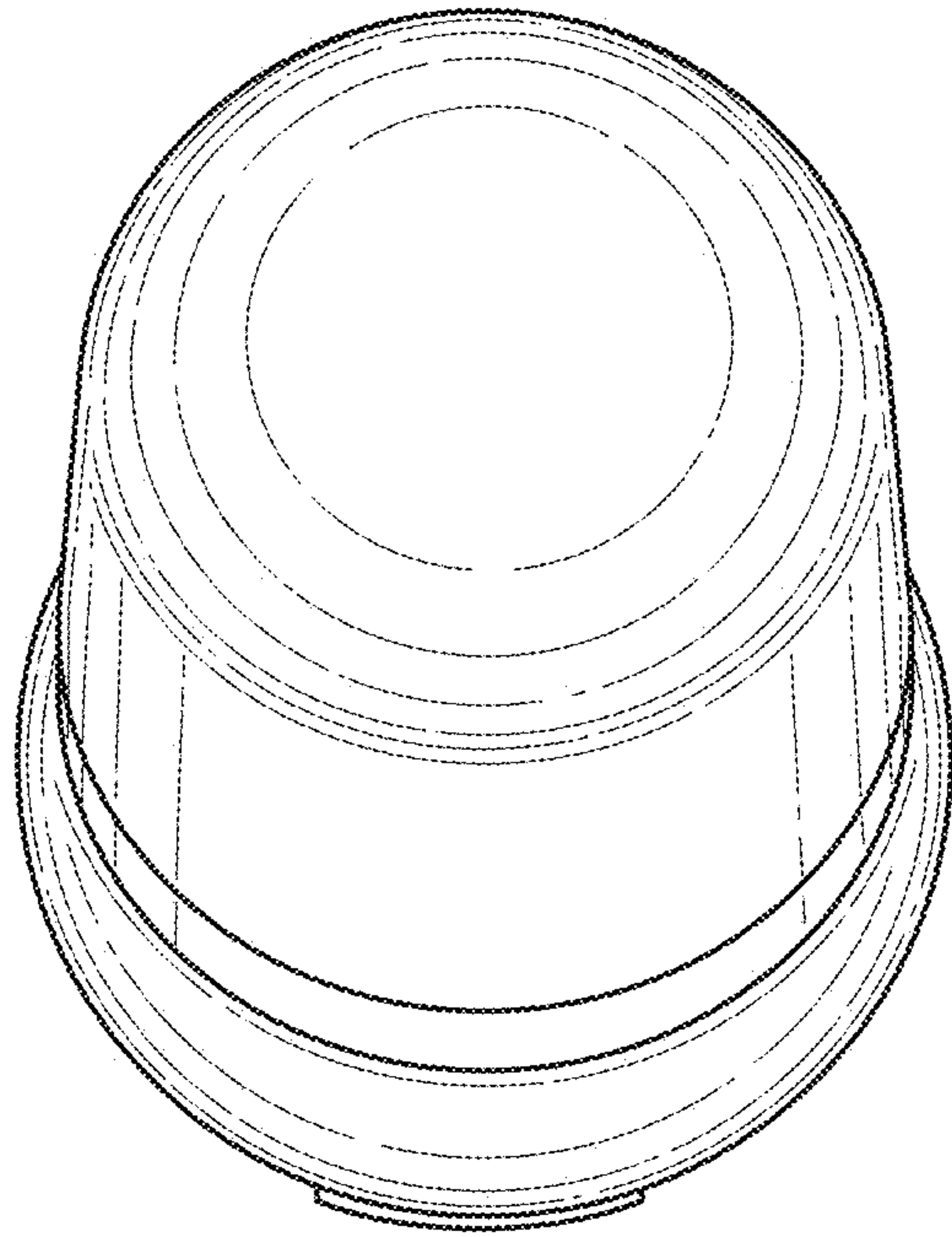


FIG. 6

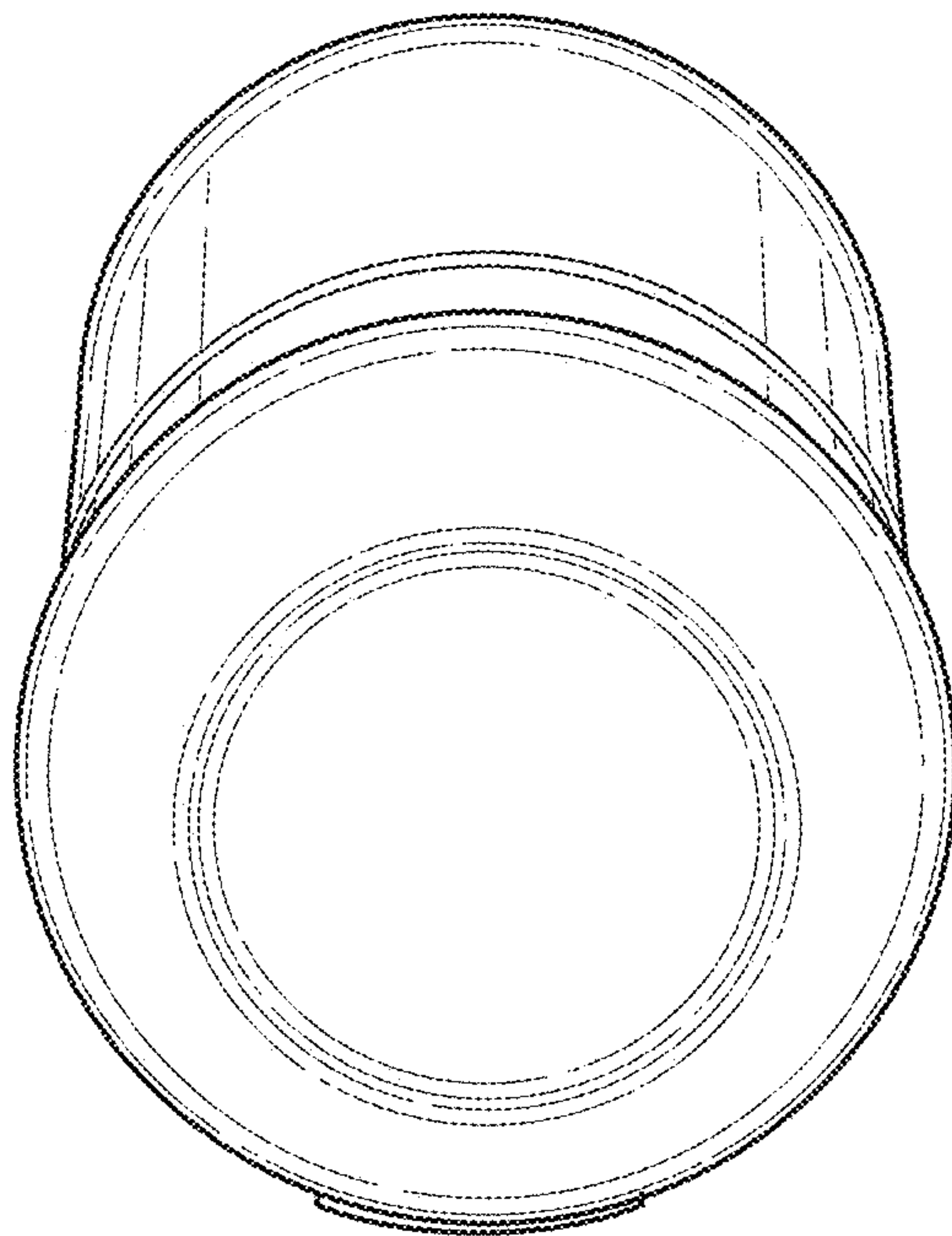


FIG. 7



FIG. 8