



US00D910858S

(12) **United States Design Patent** (10) **Patent No.:** **US D910,858 S**  
**Marton et al.** (45) **Date of Patent:** **\*\* Feb. 16, 2021**

(54) **BACK BRACE WITH HEATING AND VIBRATION**

FOREIGN PATENT DOCUMENTS

(71) Applicant: **Hyper Ice, Inc.**, Irvine, CA (US)

WO 2008094485 A2 8/2008  
WO 2012024366 A1 2/2012

(72) Inventors: **Robert Marton**, Yorba Linda, CA (US); **Anthony Katz**, Laguna Niguel, CA (US)

OTHER PUBLICATIONS

(73) Assignee: **Hyper Ice, Inc.**, Irvine, CA (US)

Engearment Hyperice Venom, posted on YouTube Nov. 12, 2016, viewed by Examiner on Jul. 31, 2020. Available at URL: <https://www.youtube.com/watch?v=eN2rTXjVJNl>.\*

(\*\*) Term: **15 Years**

(Continued)

(21) Appl. No.: **29/674,978**

*Primary Examiner* — Jennifer L Watkins

(22) Filed: **Dec. 27, 2018**

(74) *Attorney, Agent, or Firm* — Patterson Intellectual Property Law, P.C.; Jerry Turner Sewell

(51) **LOC (13) Cl.** ..... **24-01**

(52) **U.S. Cl.**  
USPC ..... **D24/190; D24/206**

(57) **CLAIM**

(58) **Field of Classification Search**  
USPC ..... D24/183, 184, 188, 190, 191, 200, 206; D21/662; D6/347; D29/101.5  
CPC ..... A61N 1/36021; A61N 1/0456; A61N 1/0492; A61N 1/0476; A61N 1/36034; A61N 1/321; A61N 1/36031; A61N 1/0452; A61N 1/3603; A61N 1/37247  
See application file for complete search history.

The ornamental design for a “back brace with heating and vibration,” as shown and described.

(56) **References Cited**

**DESCRIPTION**

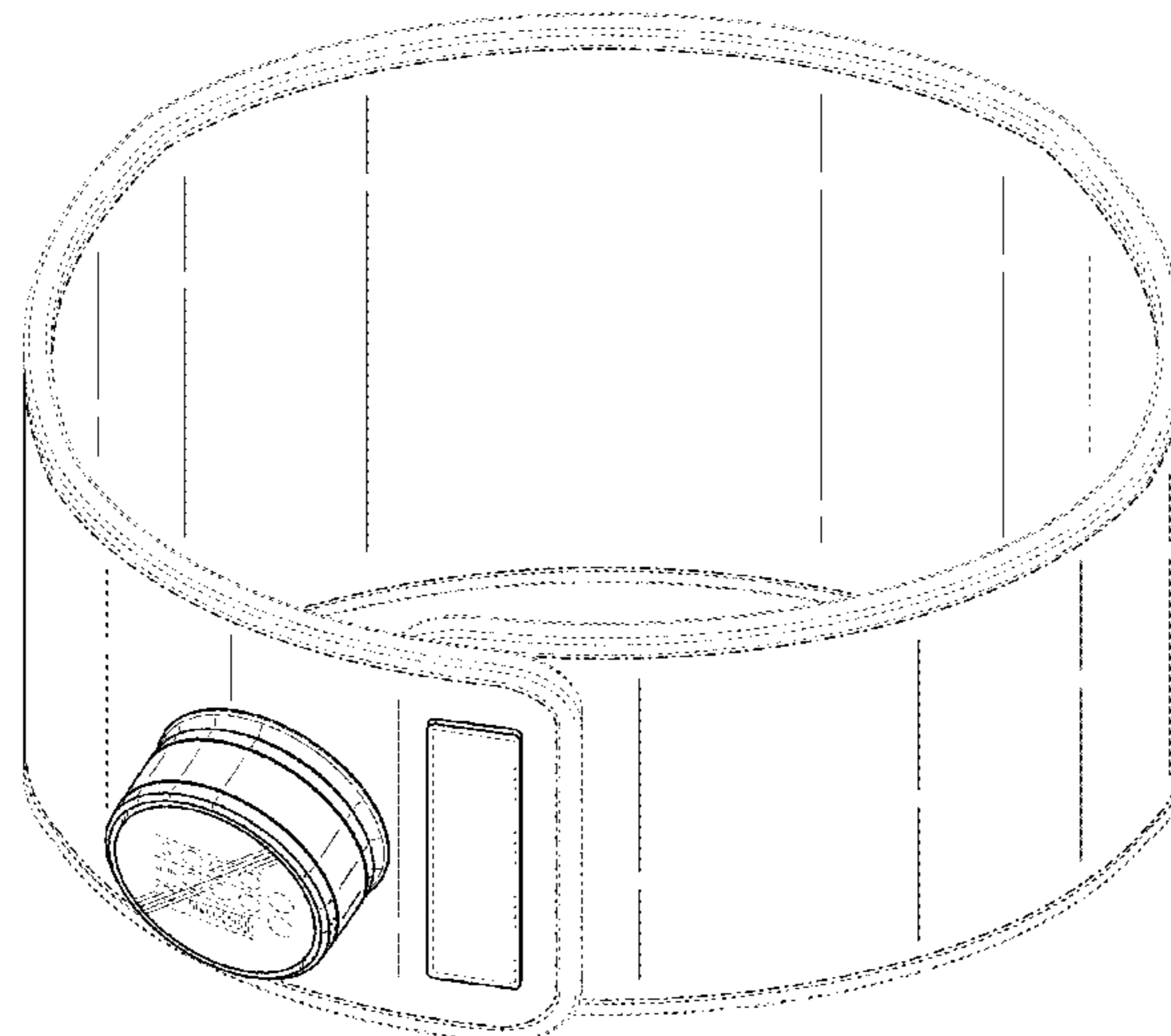
U.S. PATENT DOCUMENTS

3,810,466 A 5/1974 Rogers  
3,921,626 A 11/1975 Neel  
4,396,011 A 8/1983 Mack et al.  
4,907,576 A \* 3/1990 Curlee ..... A61F 5/028  
602/19  
5,275,581 A 1/1994 Bender  
5,500,959 A \* 3/1996 Yewer, Jr. .... A61F 5/028  
2/311  
D368,527 S 4/1996 Brooke  
D379,232 S 5/1997 Brooke  
D419,267 S 1/2000 Hartunian  
D504,727 S \* 5/2005 Schirmacher ..... D24/190  
D519,639 S 4/2006 Follman

FIG. 1 is a front perspective view of a back brace with heating and vibration in a closed position showing our new design.  
FIG. 2 is a rear perspective view thereof;  
FIG. 3 is a front perspective view thereof in a flat position;  
FIG. 4 is a rear perspective view thereof;  
FIG. 5 is a front elevation view thereof;  
FIG. 6 is a rear elevation view thereof;  
FIG. 7 is a top plan view thereof;  
FIG. 8 is a bottom plan view thereof;  
FIG. 9 is a left side elevation view thereof; and,  
FIG. 10 is a right side elevation view thereof.  
In the figures, the evenly dashed broken lines depict portions of a back brace with heating and vibration that form no part of the claim. The dash-dot-dash lines depict the claim boundary and form no part of the claim.

(Continued)

**1 Claim, 5 Drawing Sheets**



(56)

References Cited

U.S. PATENT DOCUMENTS

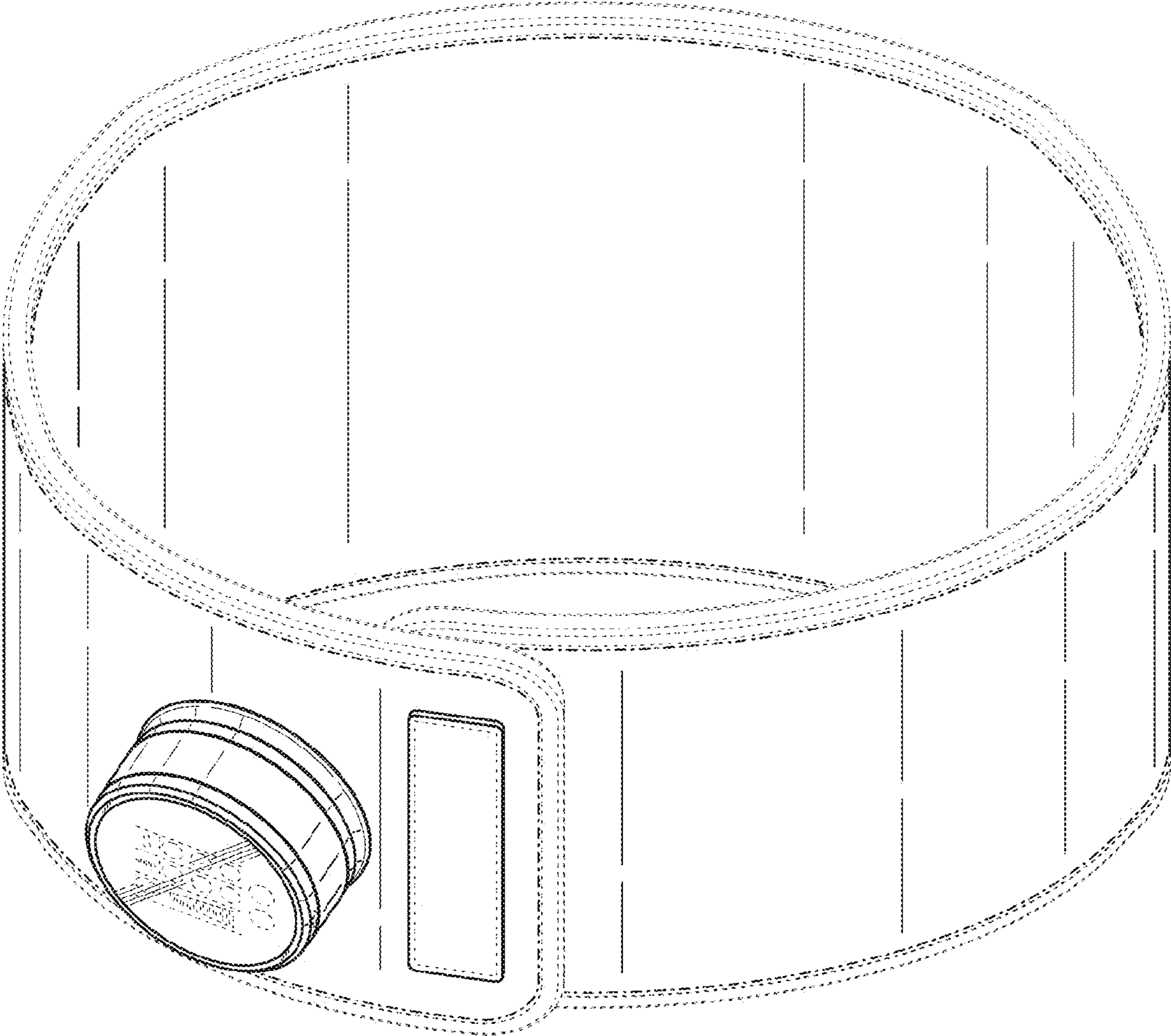
D594,128 S 6/2009 Krinsky et al.  
 D621,944 S \* 8/2010 Astin ..... D24/200  
 8,491,512 B2 7/2013 Donaldson et al.  
 9,192,326 B2 11/2015 Kahn et al.  
 D749,230 S \* 2/2016 Safko ..... D24/190  
 D763,455 S \* 8/2016 Hesse ..... D24/200  
 D785,806 S 5/2017 Weiss  
 D790,881 S 7/2017 Wong  
 9,731,126 B2 \* 8/2017 Ferree ..... A61B 5/6831  
 D811,613 S 2/2018 Marton et al.  
 D811,614 S 2/2018 Marton et al.  
 D831,221 S \* 10/2018 Smith ..... D24/190  
 D831,836 S \* 10/2018 Campdera Lozano ..... D24/200  
 D834,719 S \* 11/2018 Theriot ..... D24/200  
 D852,370 S \* 6/2019 Marton ..... D24/190  
 D861,903 S \* 10/2019 Cryan ..... D24/200  
 D868,271 S \* 11/2019 Coughlan ..... D24/190  
 D874,661 S \* 2/2020 Theriot ..... A61H 9/0078  
 D884,200 S \* 5/2020 Mei ..... D24/190  
 2002/0111570 A1 8/2002 Cutler et al.  
 2007/0255187 A1 11/2007 Branch

2009/0143707 A1 6/2009 Strahl  
 2011/0295083 A1 12/2011 Doelling et al.  
 2012/0046579 A1 2/2012 Radl et al.  
 2012/0184884 A1 \* 7/2012 Dyer ..... A61H 23/02  
 601/46  
 2013/0041297 A1 2/2013 Garcia et al.  
 2013/0116609 A1 \* 5/2013 Matsuo ..... D04B 21/20  
 602/19  
 2014/0046232 A1 2/2014 Sham et al.  
 2014/0163444 A1 \* 6/2014 Ingvarsson ..... A61N 1/0492  
 602/2  
 2014/0364778 A1 12/2014 Leftly et al.  
 2015/0306387 A1 \* 10/2015 Kong ..... A61N 1/0492  
 607/62  
 2017/0014255 A1 \* 1/2017 Booker ..... A61H 23/00  
 2017/0087005 A1 3/2017 Na et al.  
 2019/0015295 A1 \* 1/2019 Marton ..... A61F 7/007

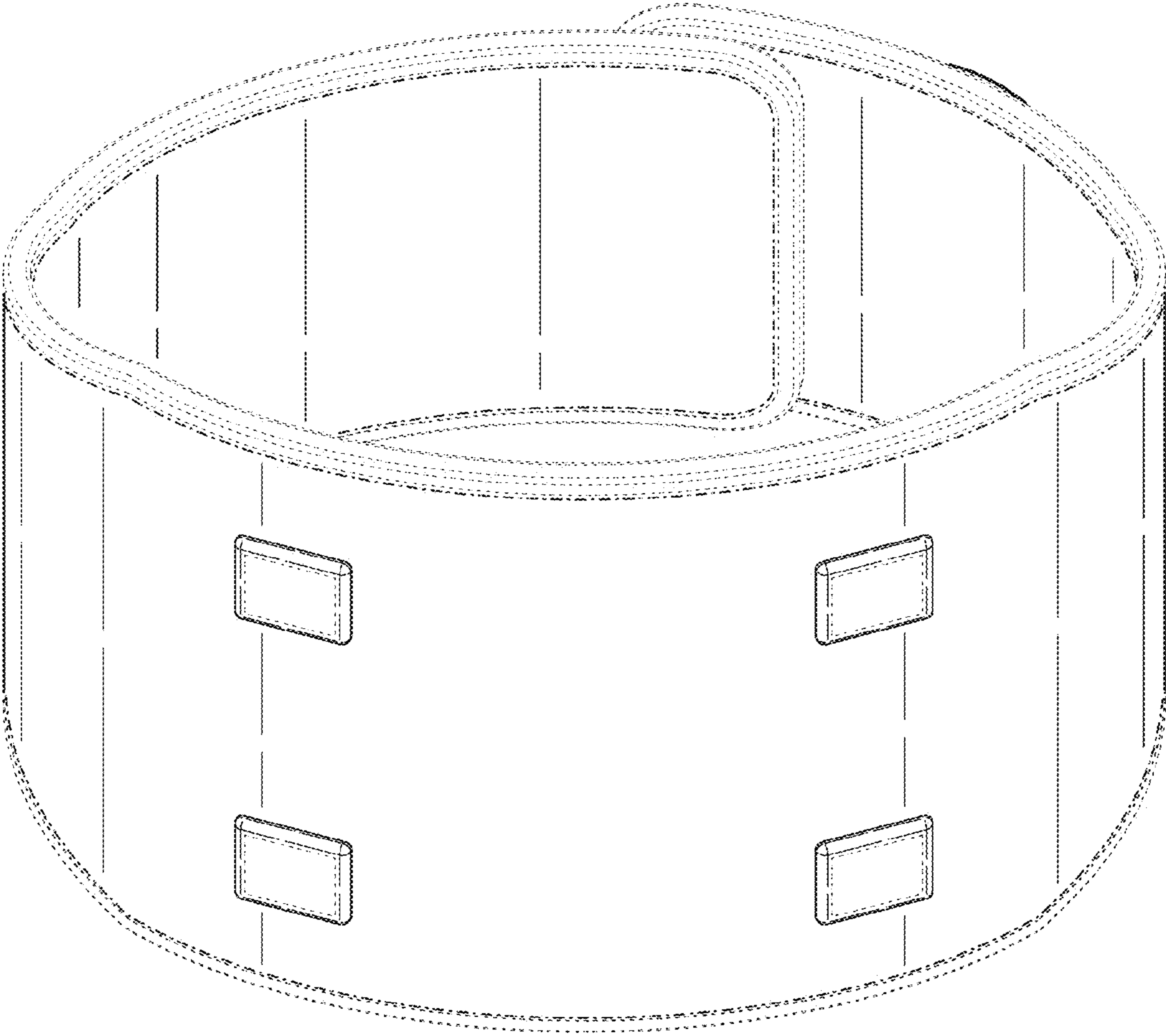
OTHER PUBLICATIONS

[http://www.alibaba.com/product-detail/Far-infrared-Arthrosis-hot-massage-apparatus\\_60057663627.html](http://www.alibaba.com/product-detail/Far-infrared-Arthrosis-hot-massage-apparatus_60057663627.html), 7 pages, Jun. 8, 2015.

\* cited by examiner



*FIG. 1*



*FIG. 2*

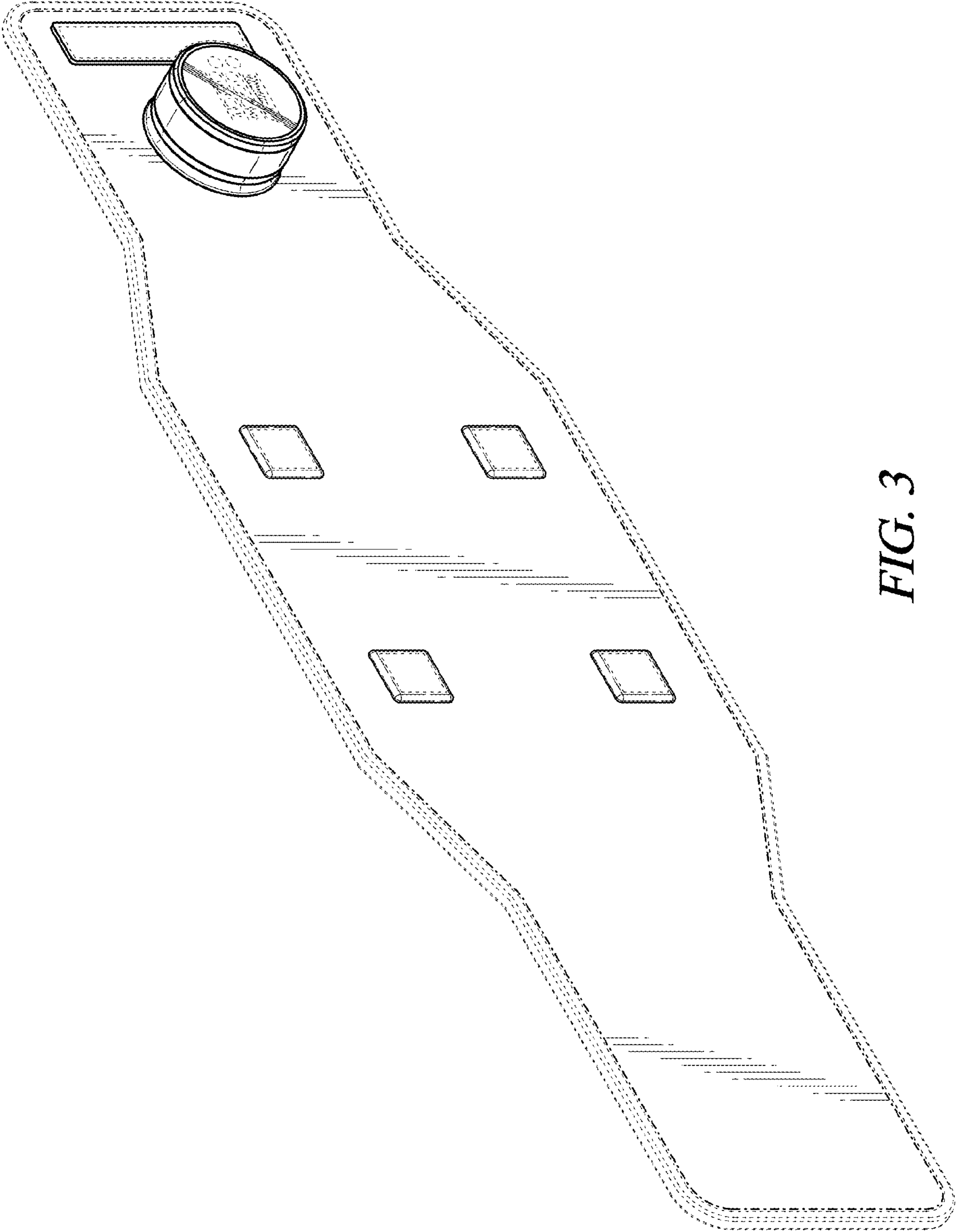
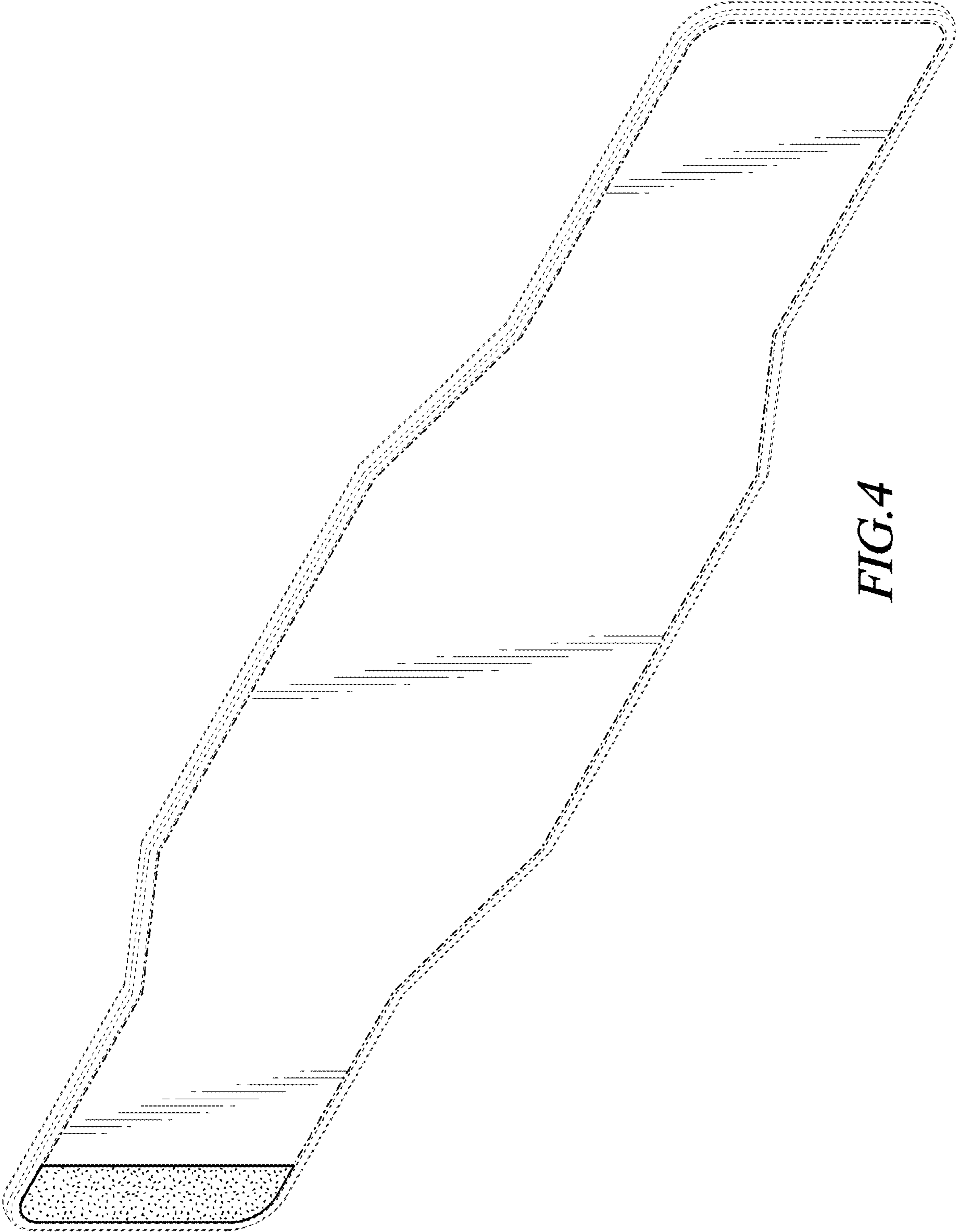
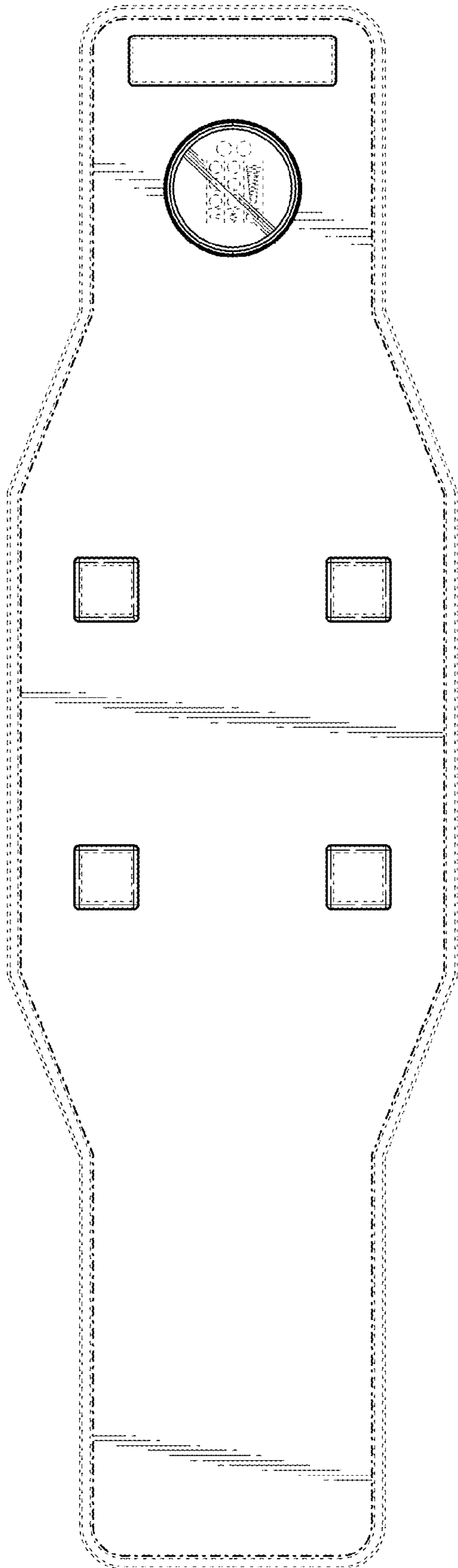


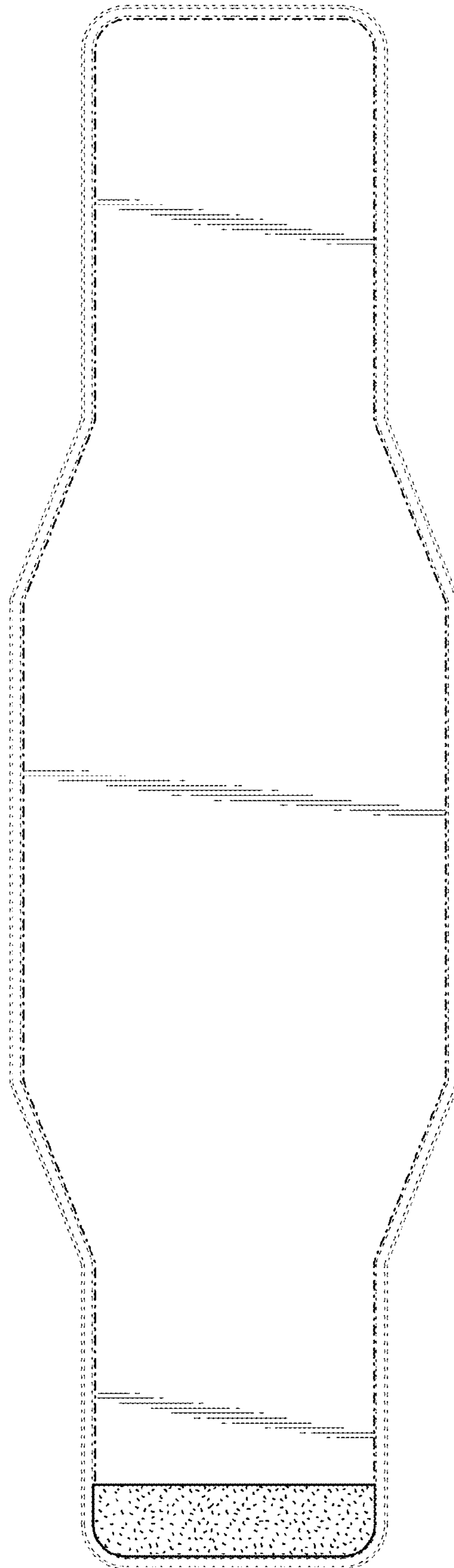
FIG. 3



*FIG. 4*



*FIG. 5*



*FIG. 6*