



US00D910857S

(12) **United States Design Patent** (10) **Patent No.:** **US D910,857 S**
Shibayama et al. (45) **Date of Patent:** **** Feb. 16, 2021**

(54) **MEDICAL PROBE**

(71) Applicant: **KONICA MINOLTA, INC.**, Tokyo (JP)

(72) Inventors: **Jun Shibayama**, Tokyo (JP); **Hirohisa Miyazaki**, Tokyo (JP); **Kenichiro Uchihara**, Nagareyama (JP)

(73) Assignee: **KONICA MINOLTA, INC.**, Tokyo (JP)

(**) Term: **15 Years**

(21) Appl. No.: **29/693,435**

(22) Filed: **Jun. 3, 2019**

(30) **Foreign Application Priority Data**

Dec. 3, 2018 (JP) 2018-026311

(51) **LOC (13) Cl.** **24-02**

(52) **U.S. Cl.**
USPC **D24/187**

(58) **Field of Classification Search**
USPC D24/133, 137, 138, 141, 158, 160, 164,
D24/165, 167, 170, 186, 187, 200;
D10/57, 60, 78, 80
CPC ... A61B 5/0095; A61B 8/4444; A61B 8/4455;
G01S 7/5208

See application file for complete search history.

(56) **References Cited**

U.S. PATENT DOCUMENTS

D392,044 S * 3/1998 Mesaros D24/186
D681,824 S * 5/2013 Shinohara D24/186
D682,433 S * 5/2013 Shinohara D24/186
D703,332 S * 4/2014 Saeki D24/187
D703,819 S * 4/2014 Moon D24/187
D745,972 S * 12/2015 Kitayama D24/187
D749,224 S * 2/2016 Iritani D24/187
D770,630 S * 11/2016 Nieminen D24/187

D861,884 S * 10/2019 Moon D24/187
2008/0255456 A1* 10/2008 Kye G01S 15/892
600/459
2015/0112200 A1* 4/2015 Oberg A61B 8/467
600/461
2015/0320402 A1* 11/2015 Ryu A61B 8/14
600/443
2017/0128042 A1* 5/2017 Desai A61B 8/4422
(Continued)

FOREIGN PATENT DOCUMENTS

CN 201330286653 * 6/2013

OTHER PUBLICATIONS

10-6MHz-38-mm-Linear-Array-Probe-Ultrasound-Accessory. Online, published date Feb. 1, 2019. Retrieved on Apr. 26, 2020 from URL: <https://rebelem.com/10-6mhz-38-mm-linear-array-probe-ultrasound-accessory/>.*

Primary Examiner — Susan Bennett Hattan

Assistant Examiner — Omeed Agilee

(74) *Attorney, Agent, or Firm* — Buchanan Ingersoll & Rooney PC

(57) **CLAIM**

The ornamental design for a medical probe, as shown and described.

DESCRIPTION

FIG. 1 is a front elevational view of a medical probe showing our new design.

FIG. 2 is a rear elevational view thereof.

FIG. 3 is a left side elevational view thereof.

FIG. 4 is a right side elevational view thereof.

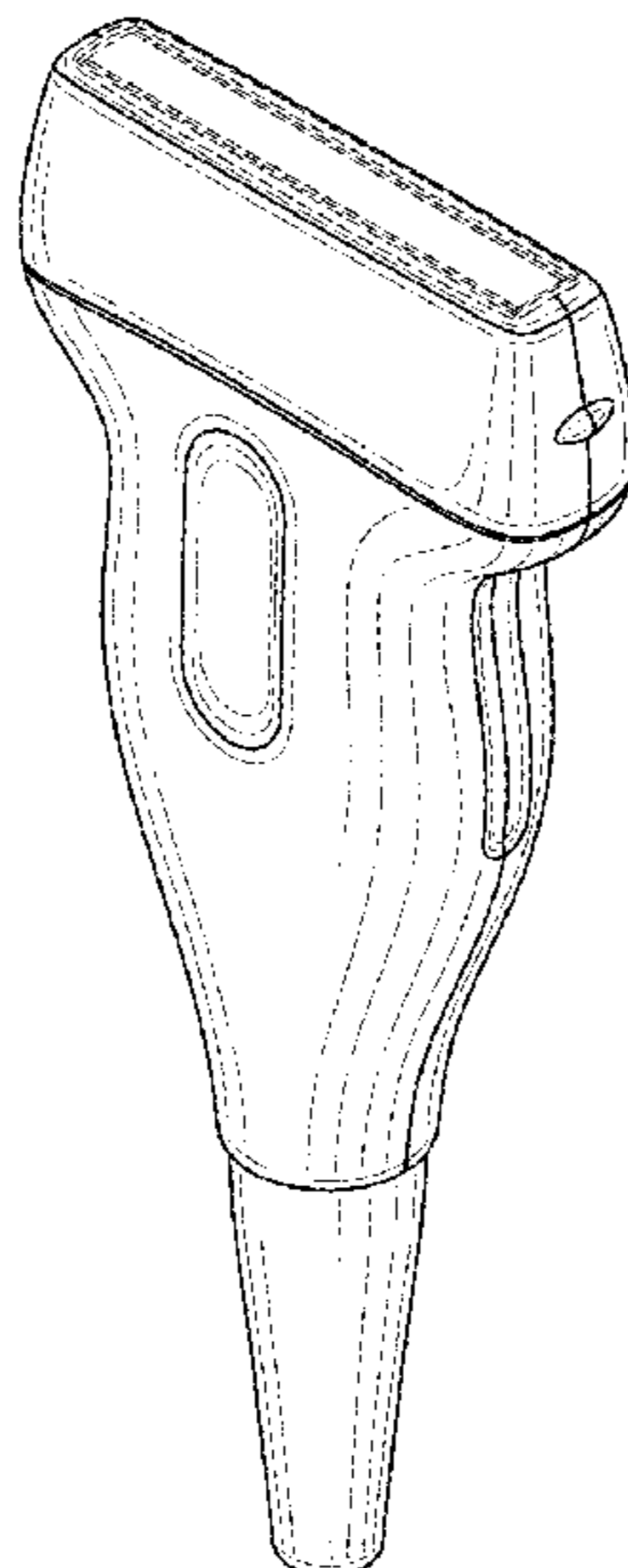
FIG. 5 is a top plan view thereof.

FIG. 6 is a bottom plan view thereof; and,

FIG. 7 is a front, right side and top perspective view thereof.

The broken lines depict portions of the medical probe that form no part of the claimed design.

1 Claim, 7 Drawing Sheets



(56)

References Cited

U.S. PATENT DOCUMENTS

2018/0028159 A1* 2/2018 Hageman A61B 8/4483
2018/0110497 A1* 4/2018 Beacham B33Y 80/00

* cited by examiner

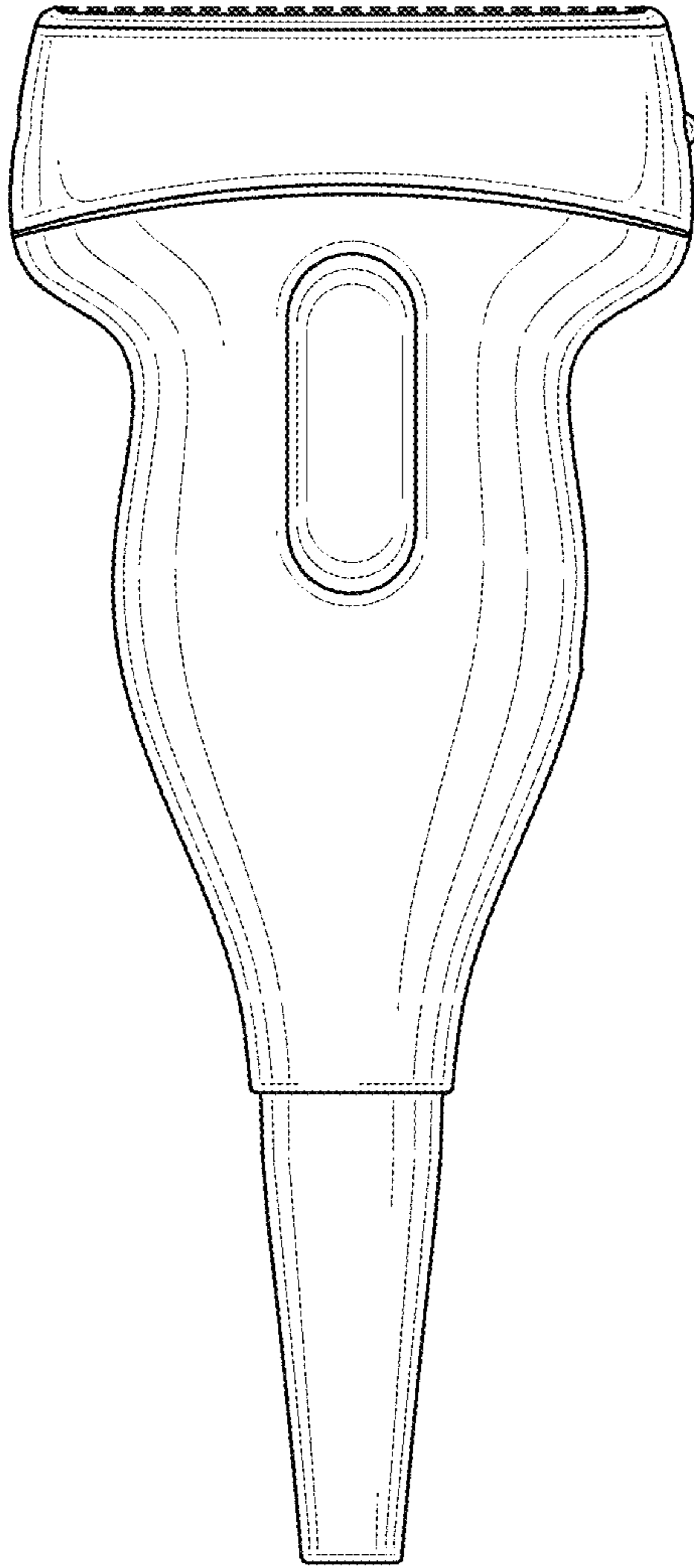


FIG. 1

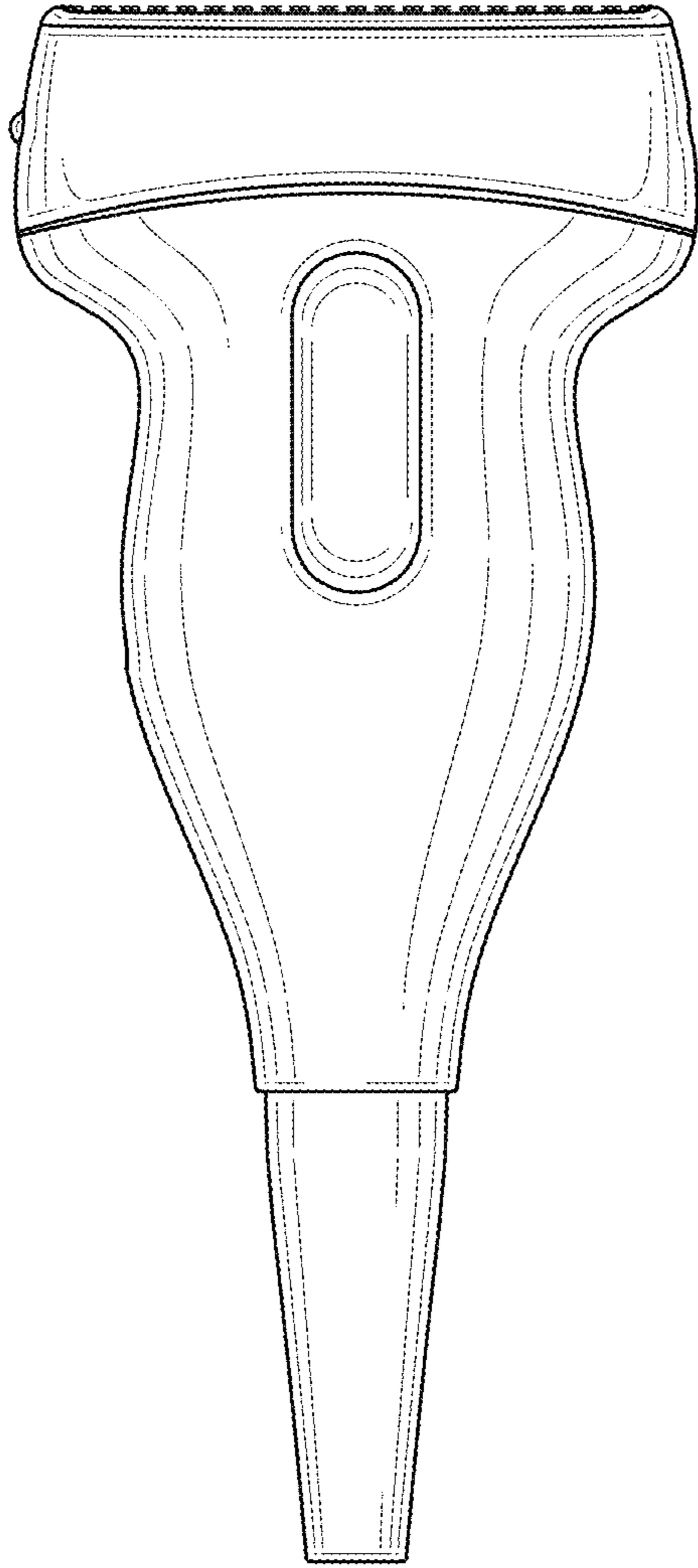


FIG. 2

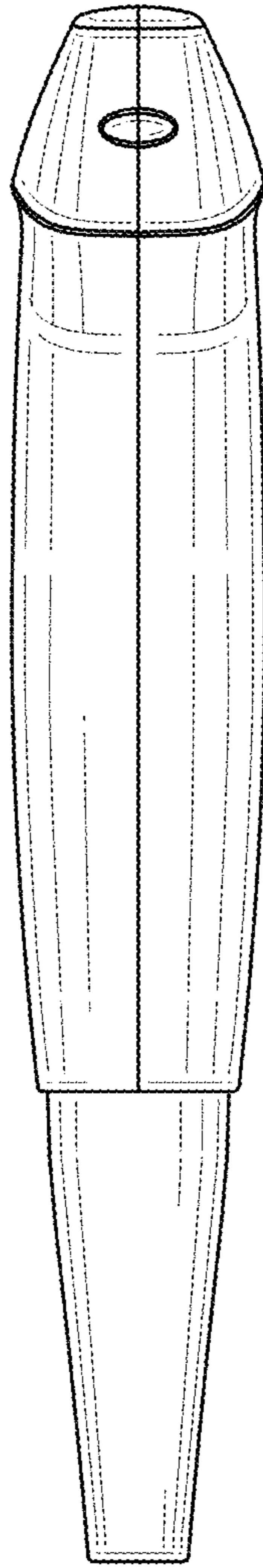


FIG. 3

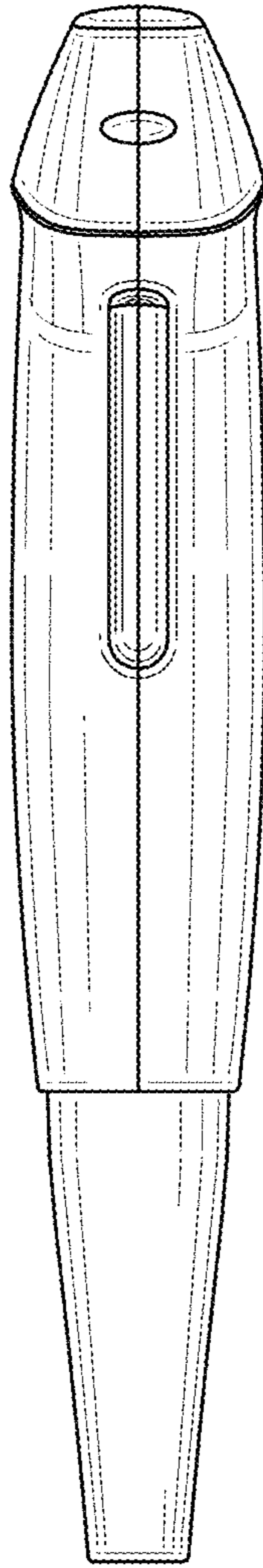


FIG. 4

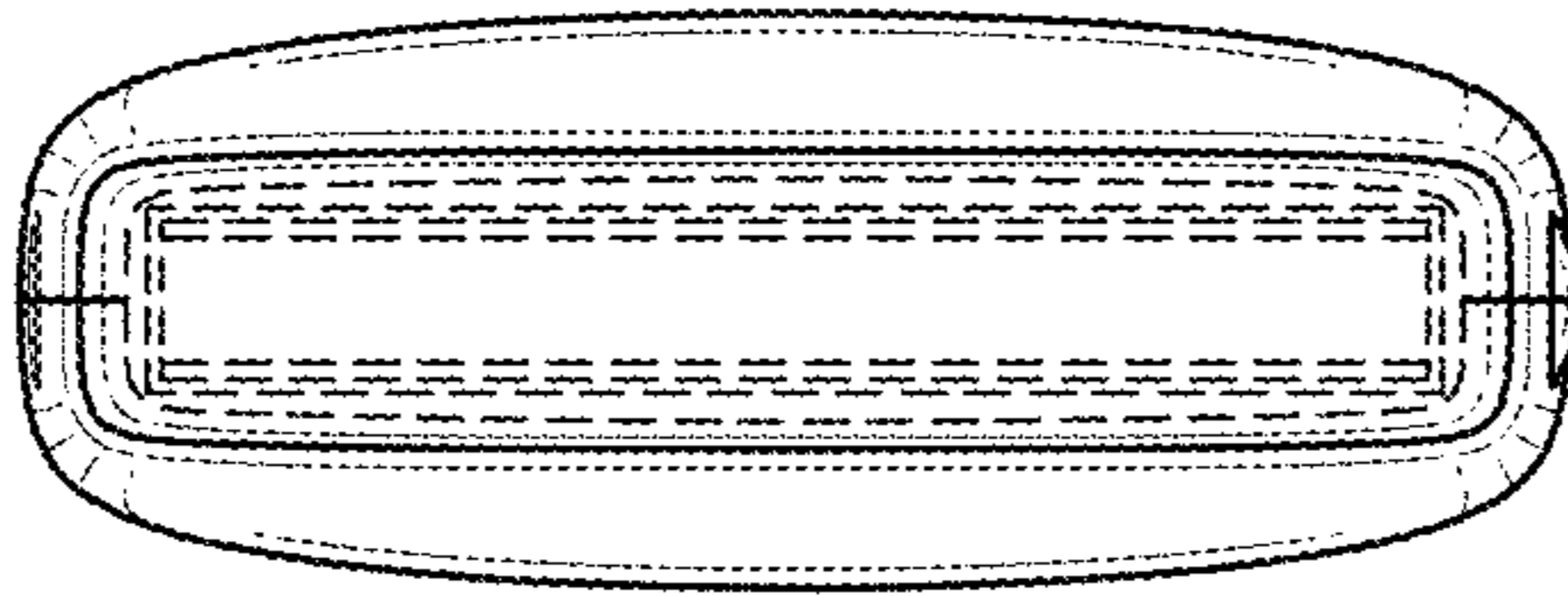


FIG. 5

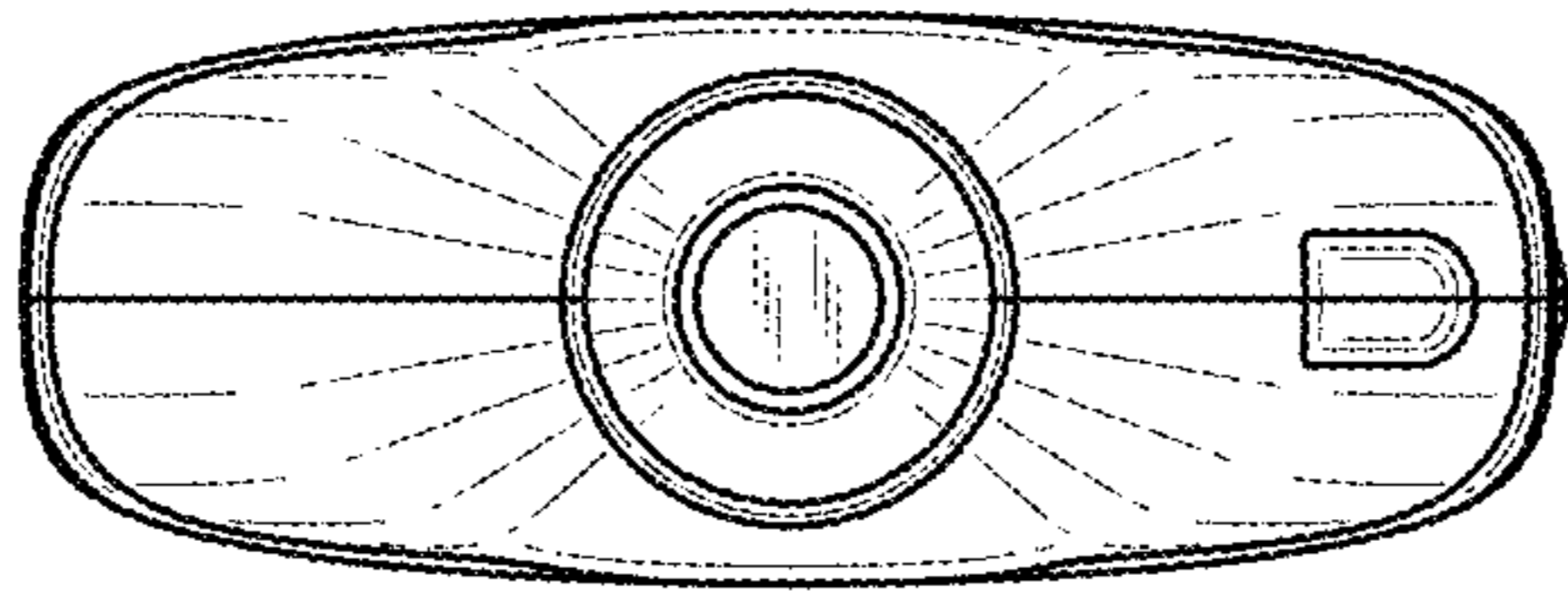


FIG. 6

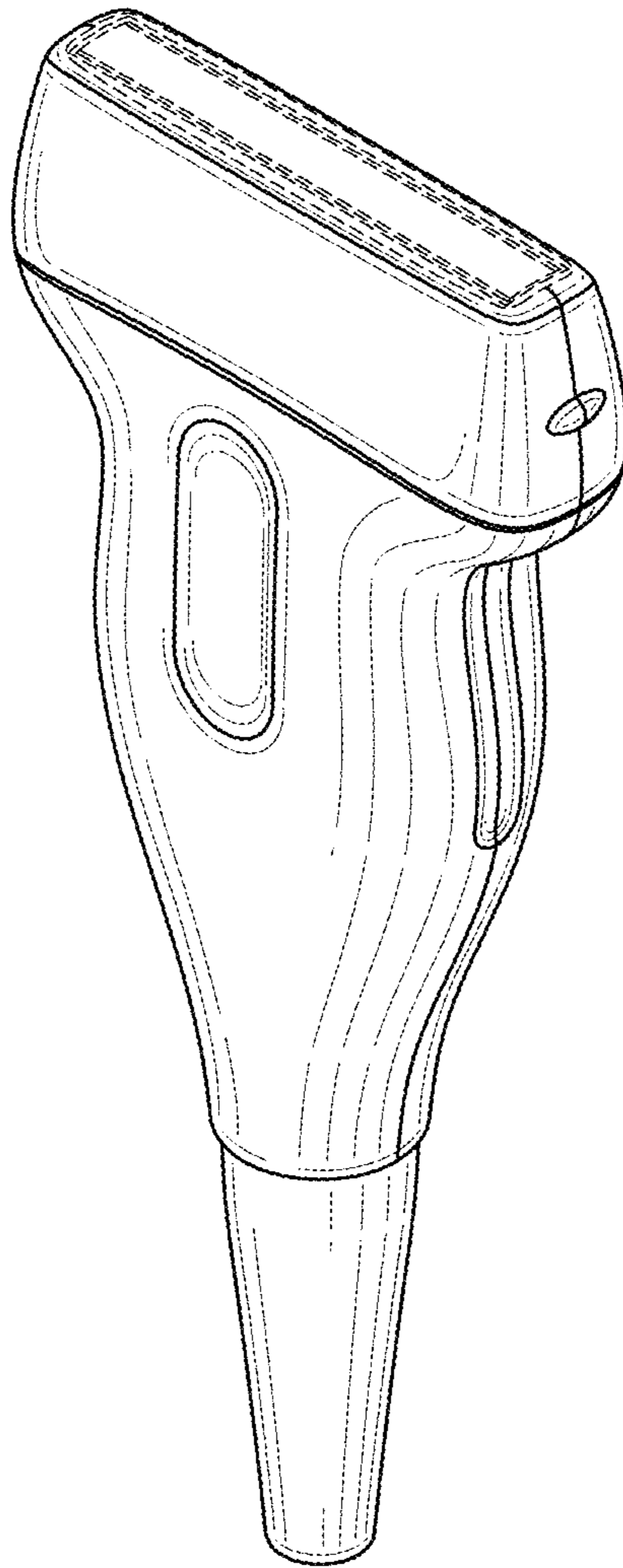


FIG. 7