



US00D910851S

(12) **United States Design Patent**
Lagrange et al.

(10) **Patent No.:** **US D910,851 S**

(45) **Date of Patent:** **** Feb. 16, 2021**

(54) **ELECTRONIC DENTAL DEVICE**
(71) Applicant: **APOLLINA**, Alixan (FR)
(72) Inventors: **Baptiste Lagrange**, Valence (FR);
Pierre Duthoit, Malissard (FR)

(73) Assignee: **APOLLINA**, Alixan (FR)

(**) Term: **15 Years**

(21) Appl. No.: **29/695,188**

(22) Filed: **Jun. 17, 2019**

(30) **Foreign Application Priority Data**

May 28, 2019 (EM) 006530580-0001

(51) **LOC (13) Cl.** **24-02**

(52) **U.S. Cl.**
USPC **D24/152**

(58) **Field of Classification Search**
USPC D24/152, 176, 127-128, 133, 114;
D19/199; D9/711; 433/114, 116, 90
CPC A61C 1/16; A61C 1/0015; A61C 1/06;
A61C 1/07; A61C 17/0202; A61C
17/005; A61C 17/16; A61C 17/20
See application file for complete search history.

(56) **References Cited**

U.S. PATENT DOCUMENTS

3,827,147 A * 8/1974 Condon A61C 9/0026
433/90
4,693,684 A * 9/1987 Blatherwick A61C 5/62
433/90

4,884,968 A * 12/1989 Stien A61C 1/16
433/116
D351,227 S * 10/1994 Patton D24/133
D531,308 S * 10/2006 Bendek D24/114
D687,552 S * 8/2013 Kile D24/152
D810,938 S * 2/2018 Feldman D24/152
2019/0298488 A1 * 10/2019 Lagrange A61C 1/16

* cited by examiner

Primary Examiner — Wan Laymon

(74) *Attorney, Agent, or Firm* — Nixon & Vanderhye

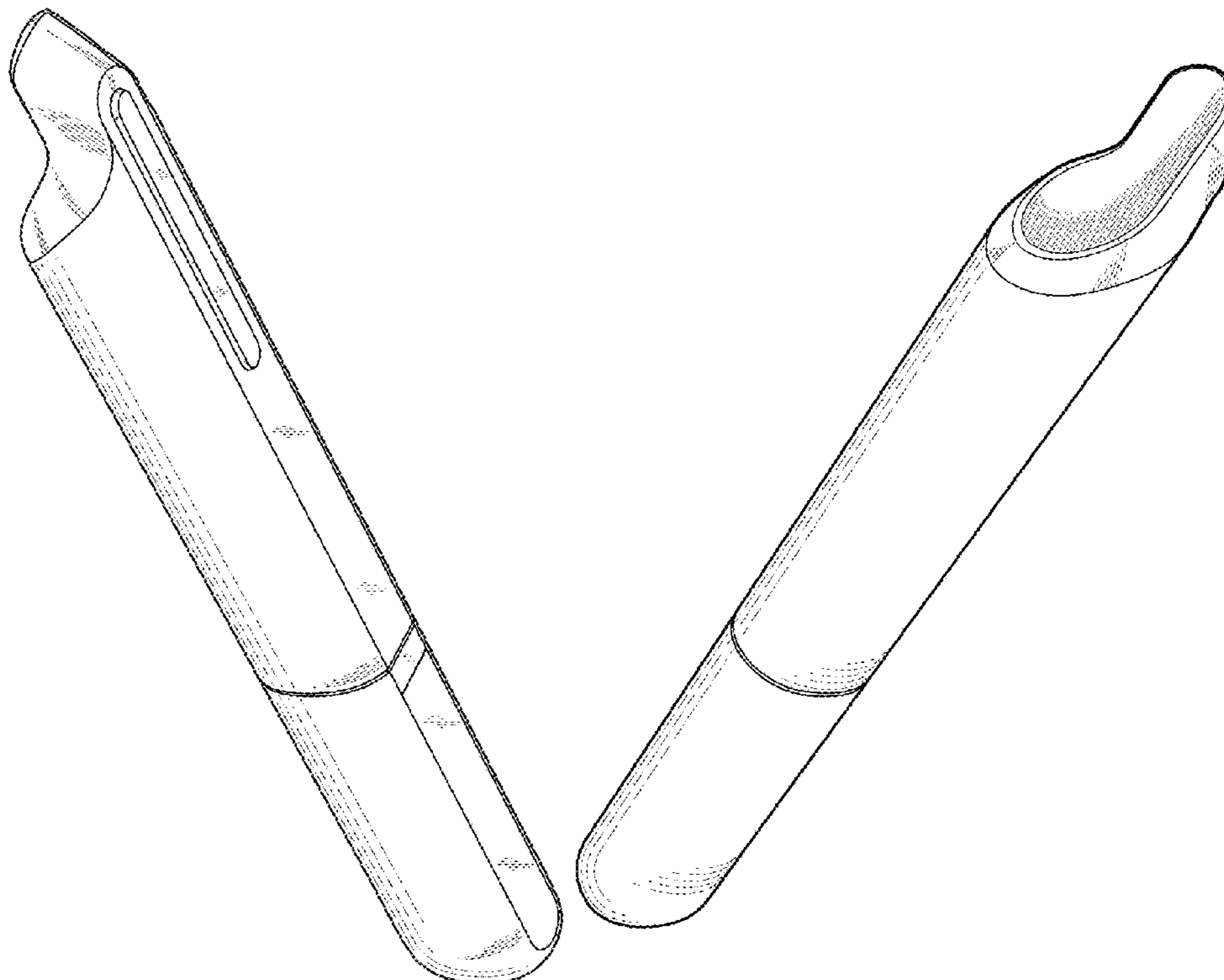
(57) **CLAIM**

The ornamental design for an electronic dental device, as shown and described.

DESCRIPTION

FIG. 1 is a front, right side, and top perspective view of an electronic dental device showing the new design; FIG. 2 is a rear, right side, and top perspective view thereof; FIG. 3 is a front elevation view thereof; FIG. 4 is a rear elevation view thereof; FIG. 5 is a right side elevation view thereof, wherein the left side elevation view appears the same; FIG. 6 is an enlarged top plan view thereof; and, FIG. 7 is an enlarged bottom plan view thereof. The broken lines shown in FIG. 6 illustrate portions of the electronic dental device that form no part of the claimed design.

1 Claim, 6 Drawing Sheets



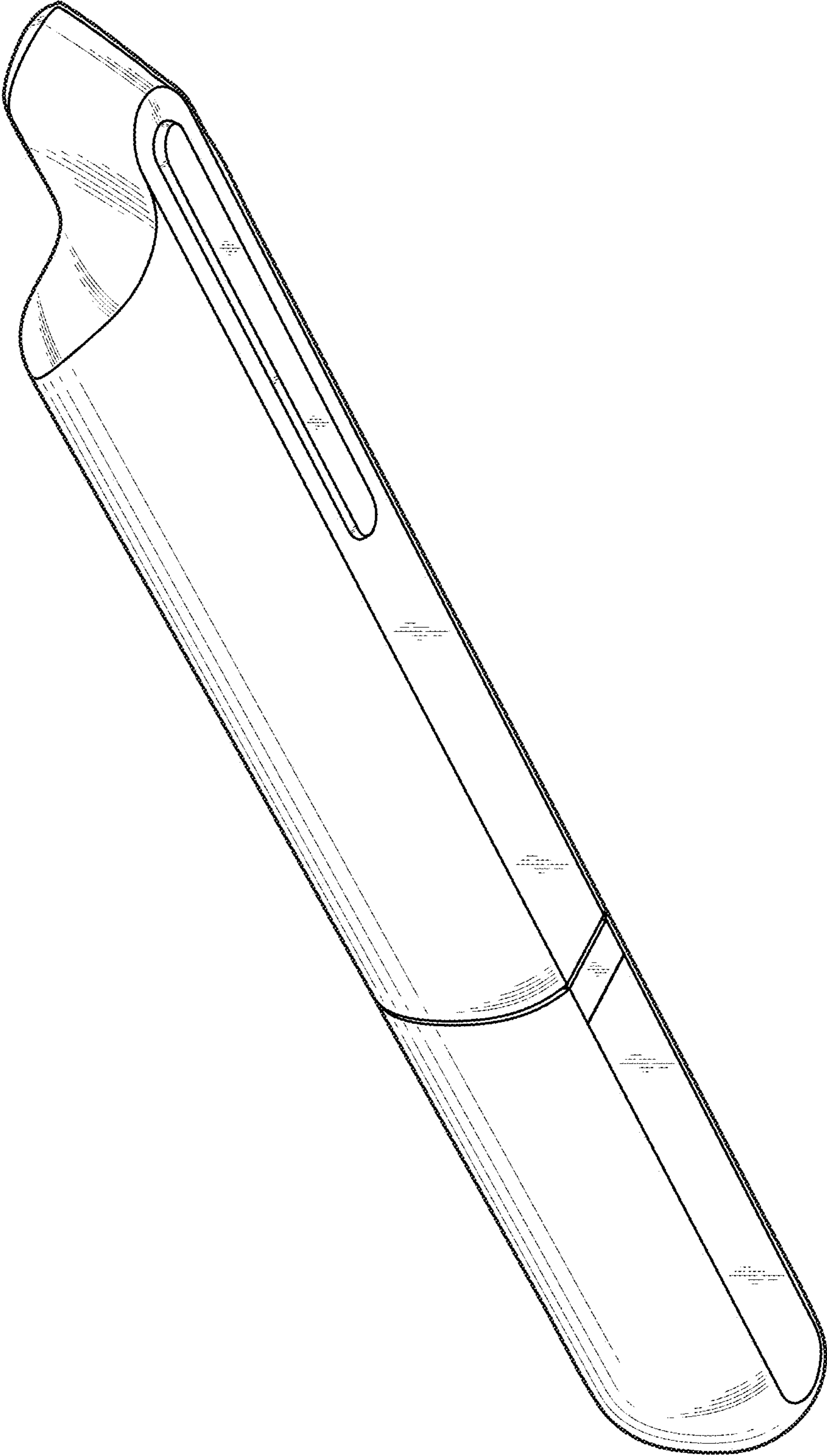


FIG. 1

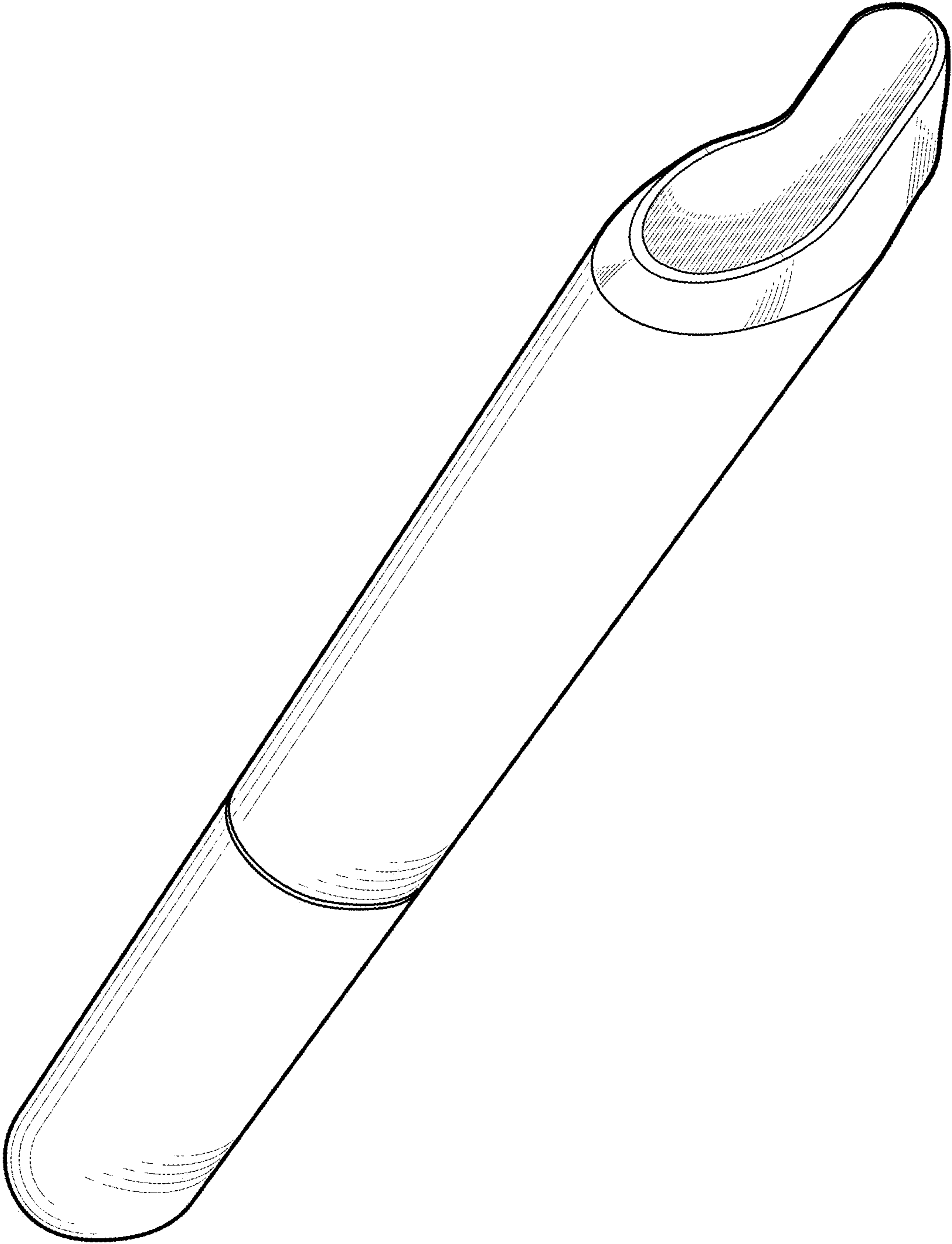


FIG. 2

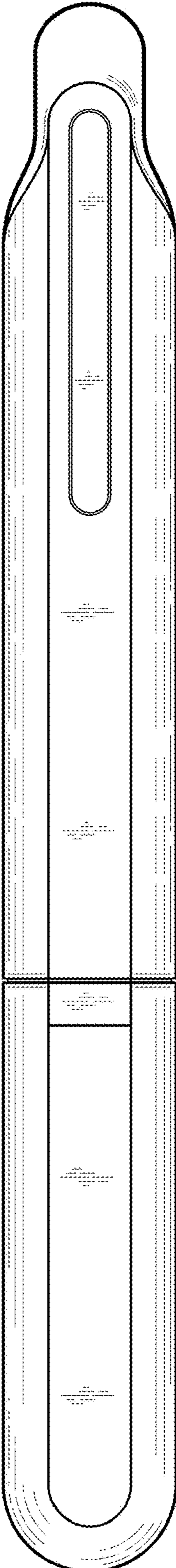


FIG. 3

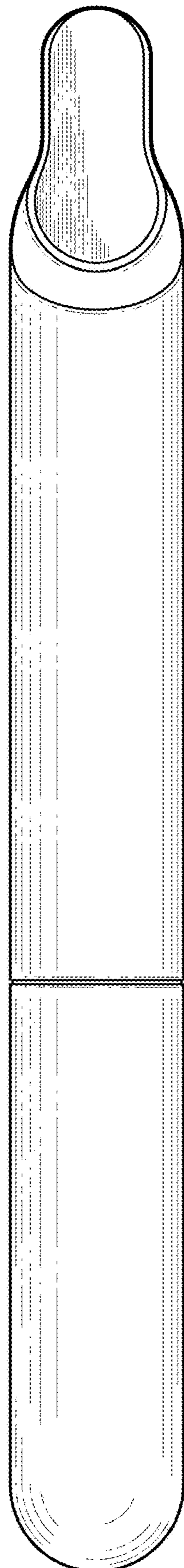


FIG. 4

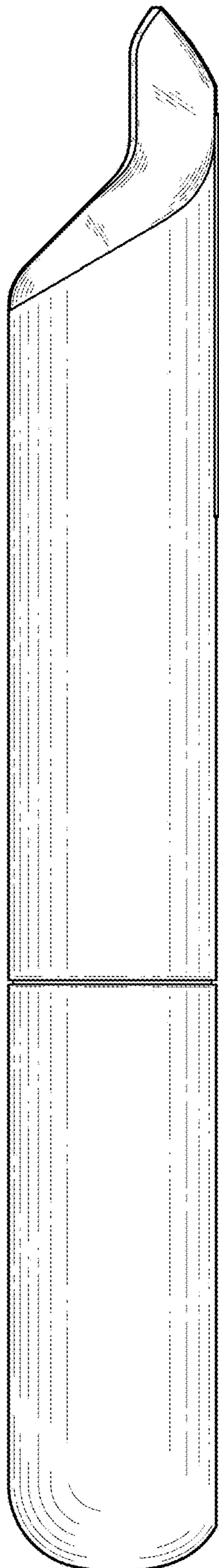


FIG. 5

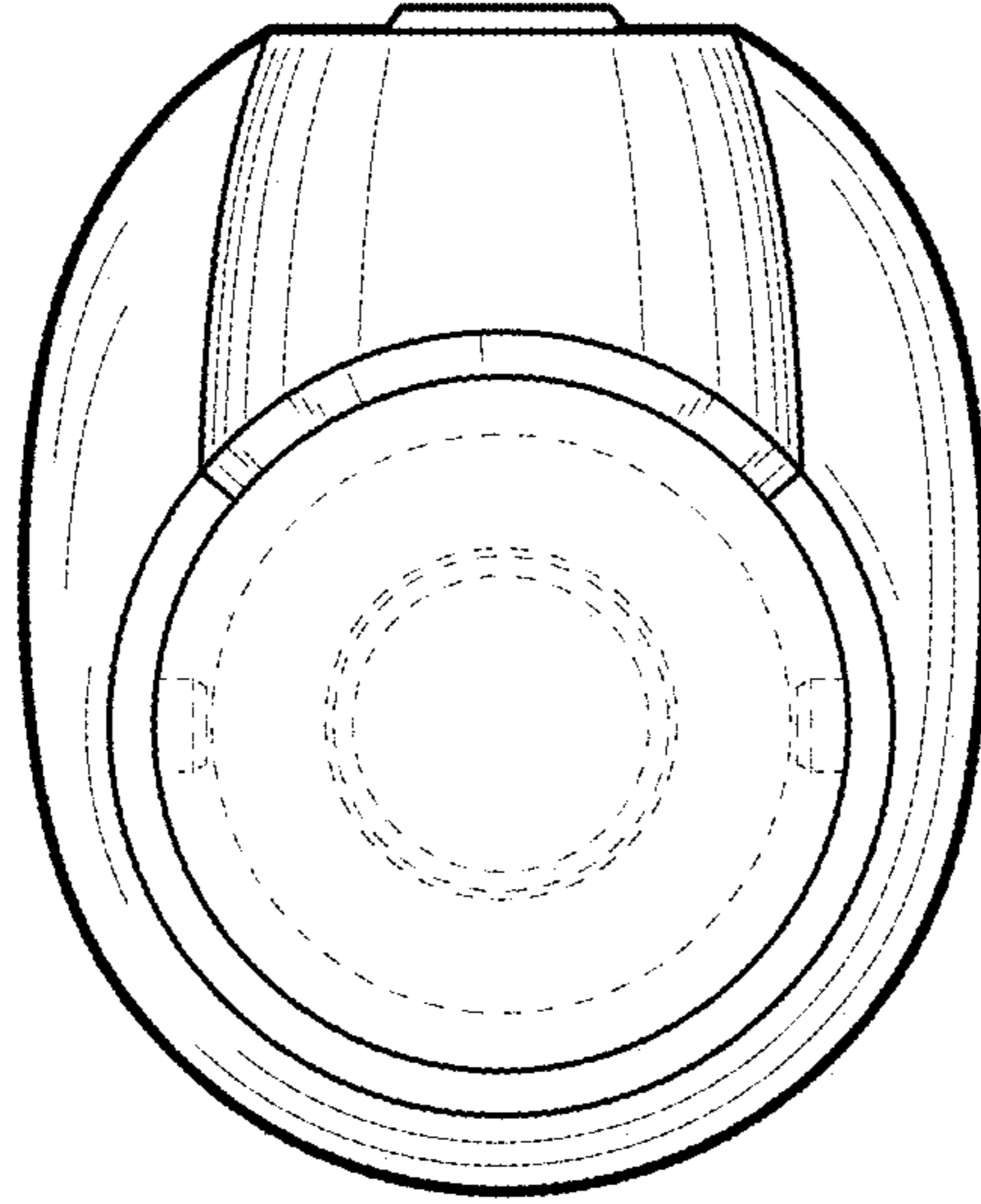


FIG. 6

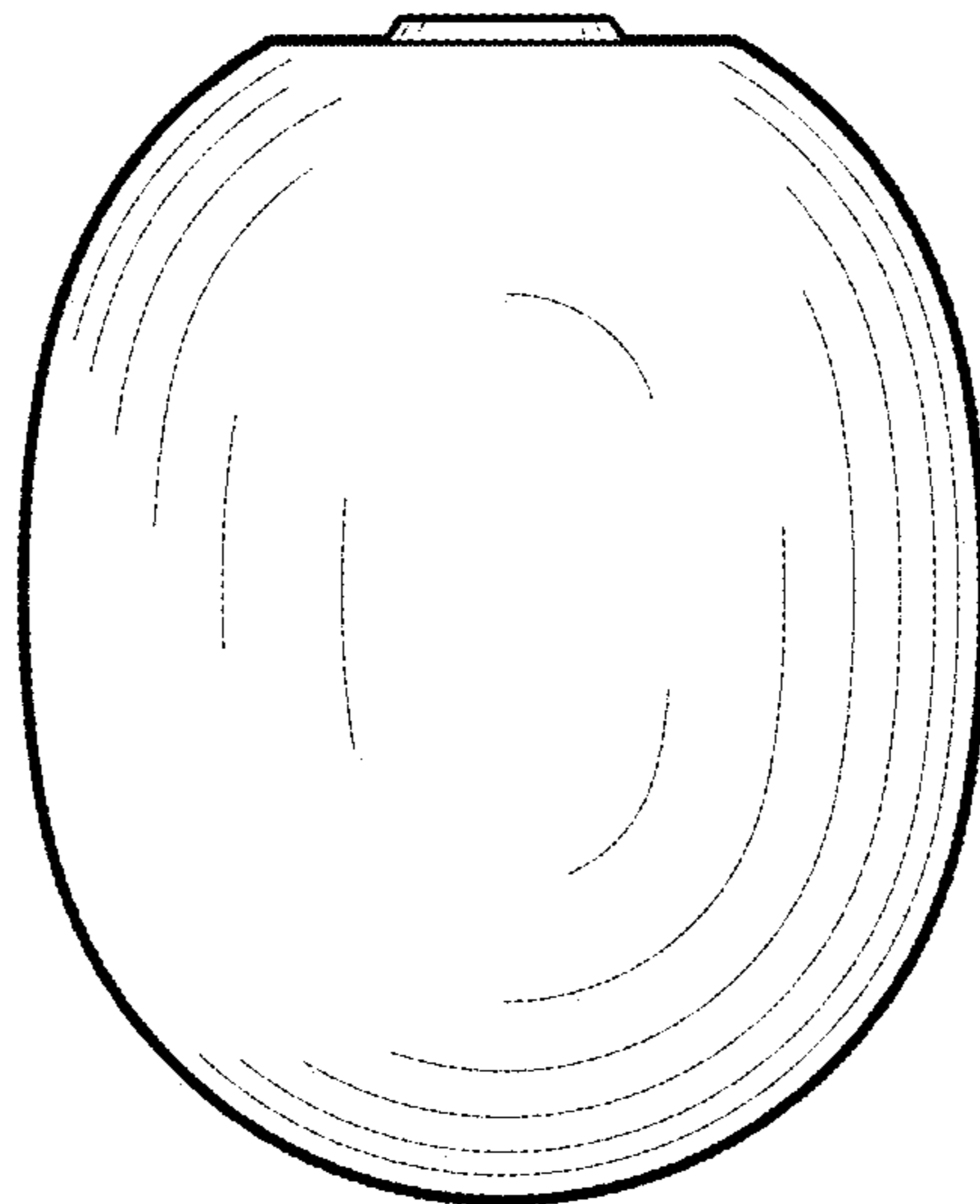


FIG. 7