



US00D910849S

(12) **United States Design Patent** (10) **Patent No.:** **US D910,849 S**
Shi (45) **Date of Patent:** **** Feb. 16, 2021**

(54) **MINI-TYPE SAFETY LANCET**
(71) Applicant: **STERILANCE MEDICAL (SUZHOU) INC.,** Jiangsu (CN)
(72) Inventor: **Guoping Shi,** Suzhou (CN)
(73) Assignee: **STERILANCE MEDICAL (SUZHOU) INC.,** Jiangsu (CN)

(**) Term: **15 Years**
(21) Appl. No.: **29/690,406**
(22) Filed: **May 8, 2019**
(51) **LOC (13) Cl.** **24-02**
(52) **U.S. Cl.**
USPC **D24/146**
(58) **Field of Classification Search**
USPC D24/112, 113, 130, 133, 134, 135, 138, D24/144, 145, 146, 147, 148, 143, 170, D24/127, 140; D8/388, 391, 393, 382, D8/385, 387, 349, 93, 97, 300, 310, 311, D8/313, 14, 14.1, 29.1, 29.2, 30, 61, 68
CPC ... A61B 17/06; A61B 17/089; A61B 17/1617; A61B 17/3211; A61B 17/3417; A61B 17/1624; A61B 17/162; A61B 17/1622; A61B 5/1411; A61B 2017/00424; A61B 17/32; A61B 17/320016; A61B 17/32053; A61B 17/3494; A61B 2017/320004; A61K 45/06
See application file for complete search history.

D628,293 S * 11/2010 Ruf A61B 5/150183 D24/146
D628,695 S * 12/2010 Ruf D24/146
D645,147 S * 9/2011 Ruf D24/147
D645,148 S * 9/2011 Ruf D24/147
D651,713 S * 1/2012 Shi D24/147
D673,678 S * 1/2013 Hong D24/146
D673,679 S * 1/2013 Hong D24/146
(Continued)

FOREIGN PATENT DOCUMENTS

JP D1429229 * 12/2011

OTHER PUBLICATIONS

Acti-Lance Safety Lancet, [site visited Oct. 9, 2020]. Available from Internet. URL: <https://www.blowoutmedical.com/acti-lance-safety-lancet.html> (Year: 2020).*

Primary Examiner — T Chase Nelson
Assistant Examiner — Kelly L Gross
(74) *Attorney, Agent, or Firm* — JCIP Global Inc.

(57) **CLAIM**

The ornamental design for a mini-type safety lancet, as shown and described.

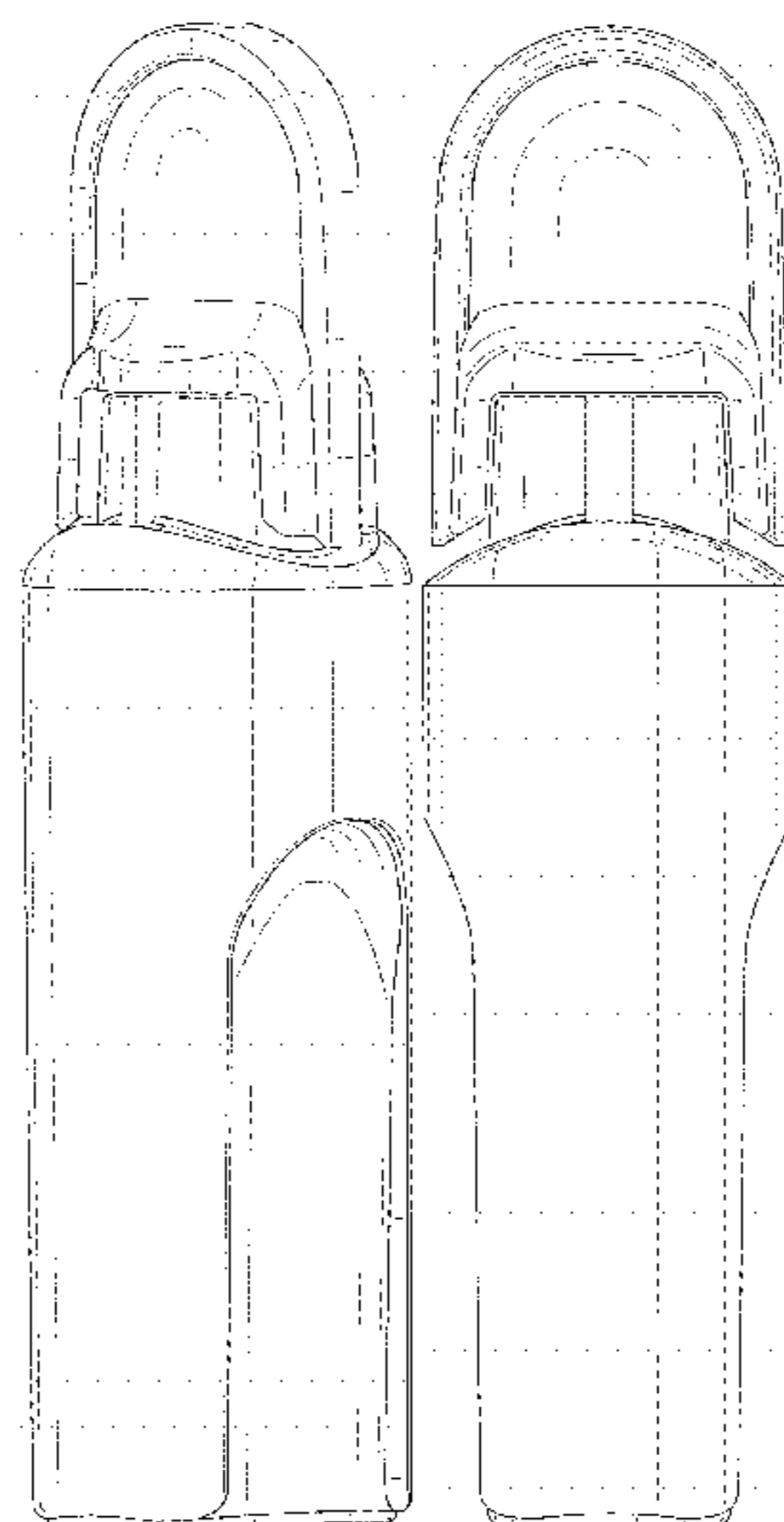
DESCRIPTION

FIG. 1 is a perspective view of a mini-type safety lancet showing my new design;
FIG. 2 is a front view thereof;
FIG. 3 is a rear view thereof;
FIG. 4 is a left side view thereof;
FIG. 5 is a right side view thereof;
FIG. 6 is a top view thereof; and,
FIG. 7 is a bottom view thereof.
The broken lines in the drawings are included for the purpose of illustrating portions of the mini-type safety lancet that form no part of the claimed design.

1 Claim, 4 Drawing Sheets

(56) **References Cited**
U.S. PATENT DOCUMENTS

D376,649 S * 12/1996 Kim D24/146
D444,557 S * 7/2001 Levaughn D24/146
D499,182 S * 11/2004 Moore D24/146
D612,051 S * 3/2010 Ruf D24/146
D616,987 S * 6/2010 Brown D24/146
D621,042 S * 8/2010 Ruf D24/146
7,806,859 B2 * 10/2010 Lee A61B 5/150549 604/110



(56)

References Cited

U.S. PATENT DOCUMENTS

8,828,038 B2 *	9/2014	Brown	A61B 5/1519	606/182	2012/0022567 A1 *	1/2012	Knie	A61B 5/150259	606/182
D746,458 S *	12/2015	Imori	D24/147		2012/0123459 A1 *	5/2012	Ruf	A61B 5/150259	606/182
D749,724 S *	2/2016	Shi	D24/130		2012/0215246 A1 *	8/2012	Hyoue	A61B 5/150022	606/182
D794,790 S *	8/2017	Shi	D24/146		2012/0271123 A1 *	10/2012	Castle	A61B 5/150167	600/309
D795,426 S *	8/2017	Shi	D24/146		2013/0158586 A1 *	6/2013	Pusey	A61B 5/15113	606/173
D884,879 S *	5/2020	Hanafusa	D24/121		2013/0274777 A1 *	10/2013	Trissel	A61B 5/15126	606/172
2002/0029059 A1 *	3/2002	Purcell	A61B 5/150183	606/182	2014/0088631 A1 *	3/2014	Saeki	A61B 5/150435	606/181
2004/0127928 A1 *	7/2004	Whitson	A61B 5/15132	606/181	2014/0207023 A1 *	7/2014	Heller	A61B 5/150259	600/583
2010/0145377 A1 *	6/2010	Lai	A61B 5/150152	606/182	2015/0313513 A1 *	11/2015	Marshall	A61B 5/150465	606/182
2011/0118771 A1 *	5/2011	Ruan	A61B 5/150183	606/182	2015/0374272 A1 *	12/2015	Schwartz	A61B 5/15113	606/172
2011/0313438 A1 *	12/2011	Robbins	A61B 5/150473	606/172						

* cited by examiner

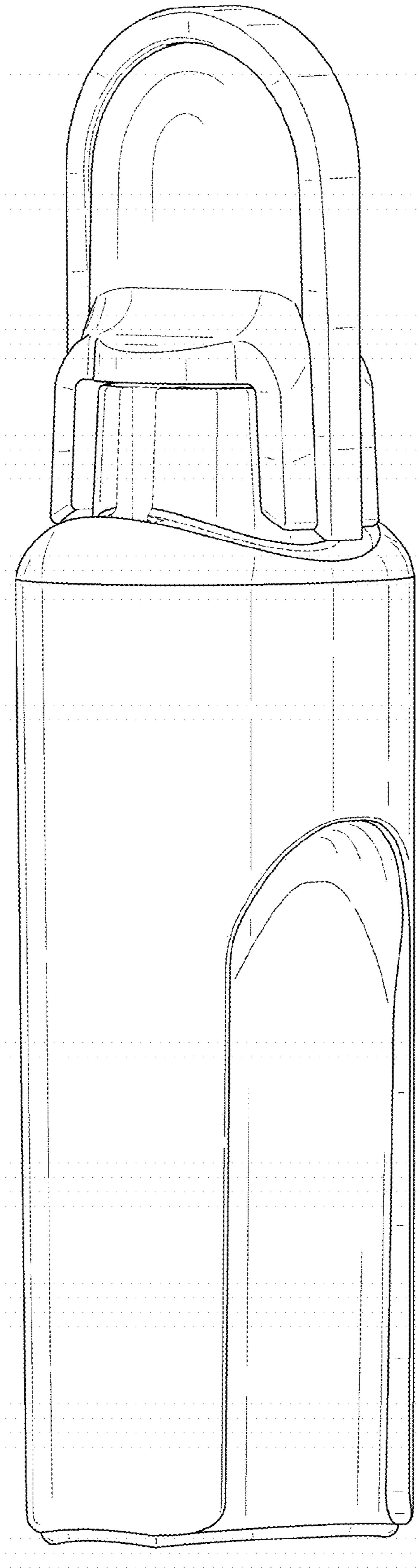


FIG. 1

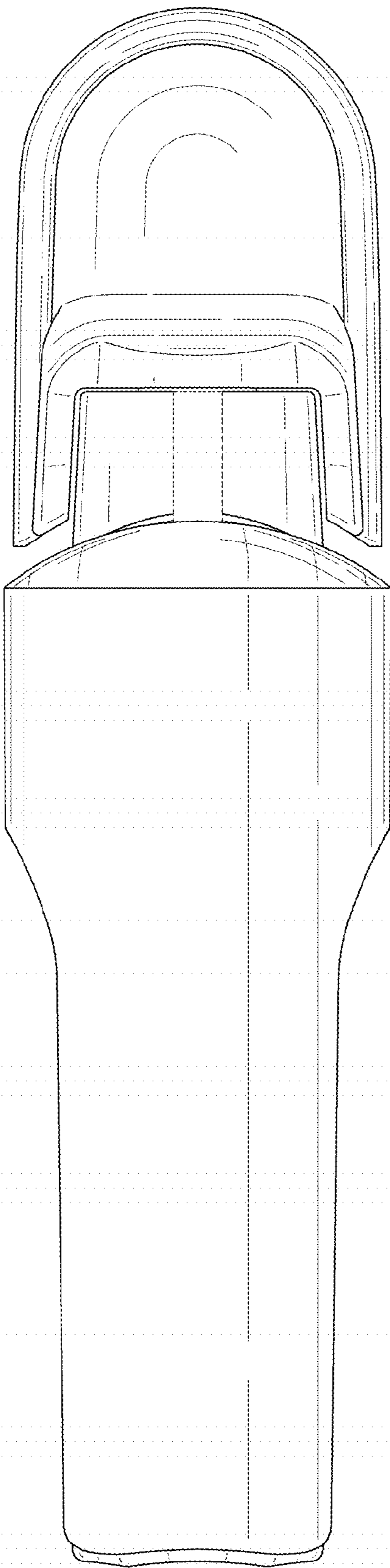


FIG. 2

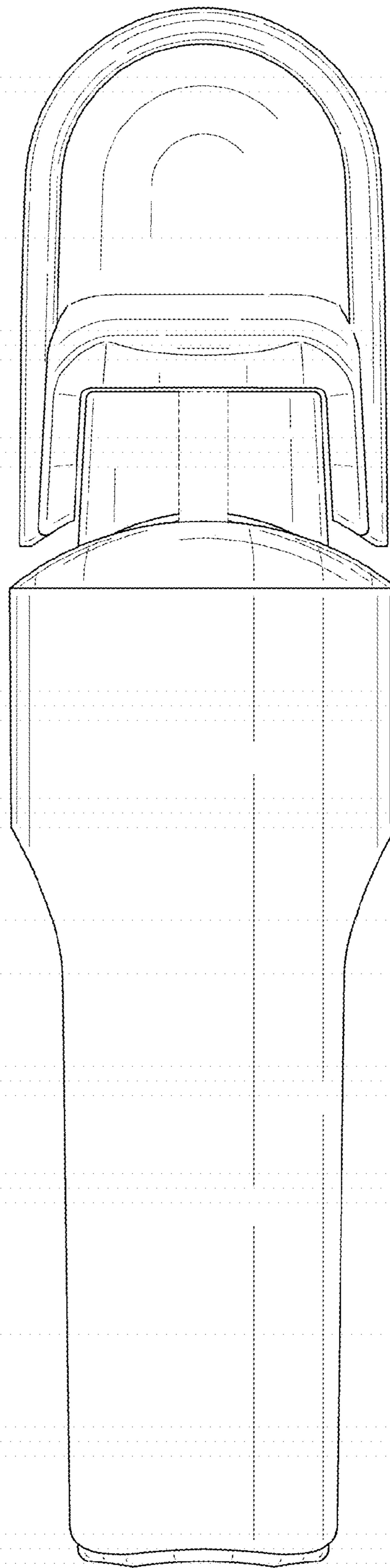


FIG. 3

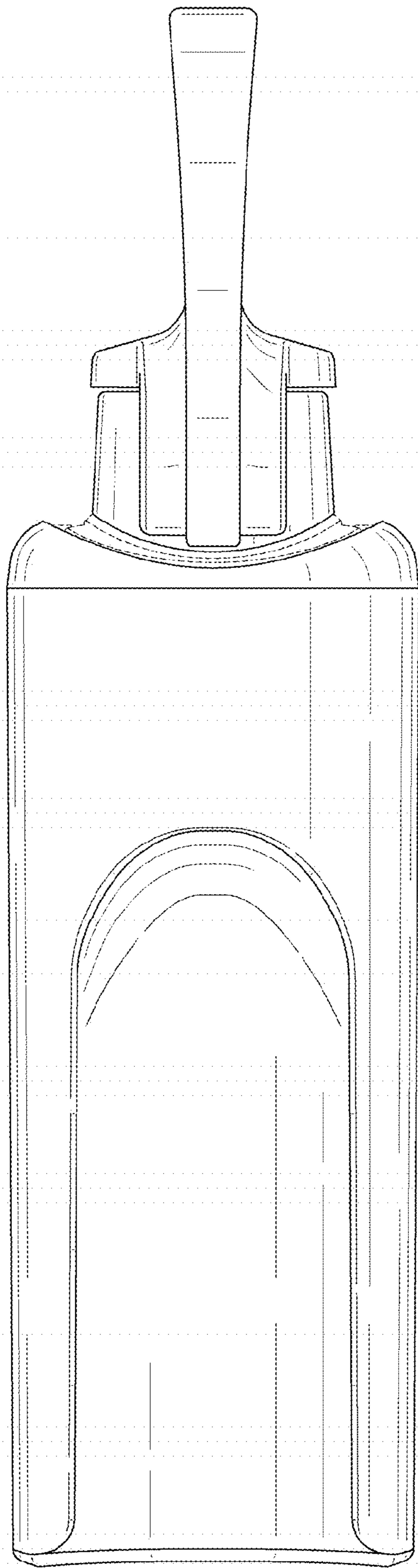


FIG. 4

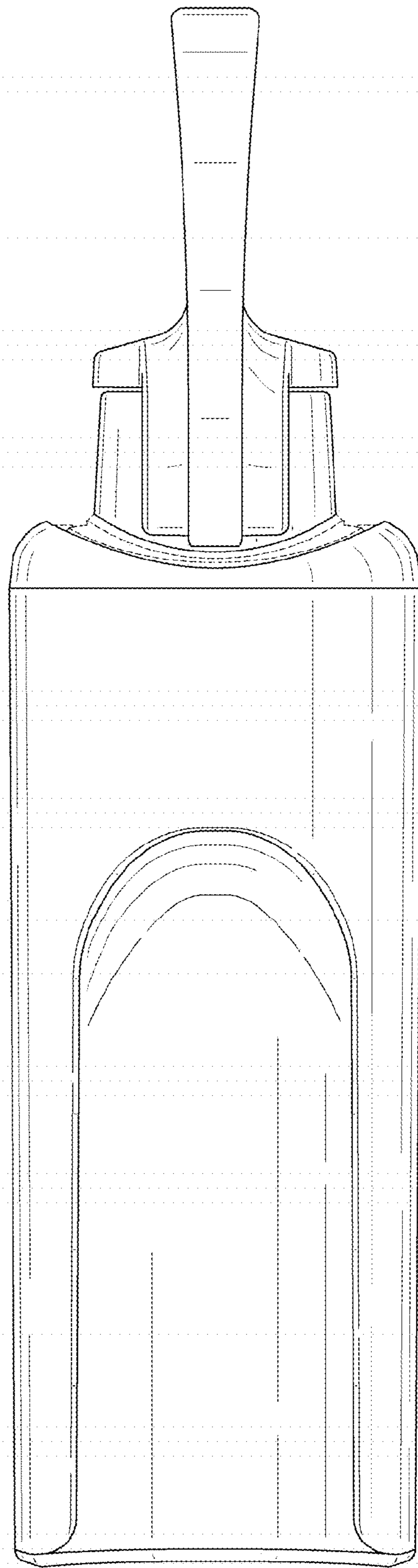


FIG. 5

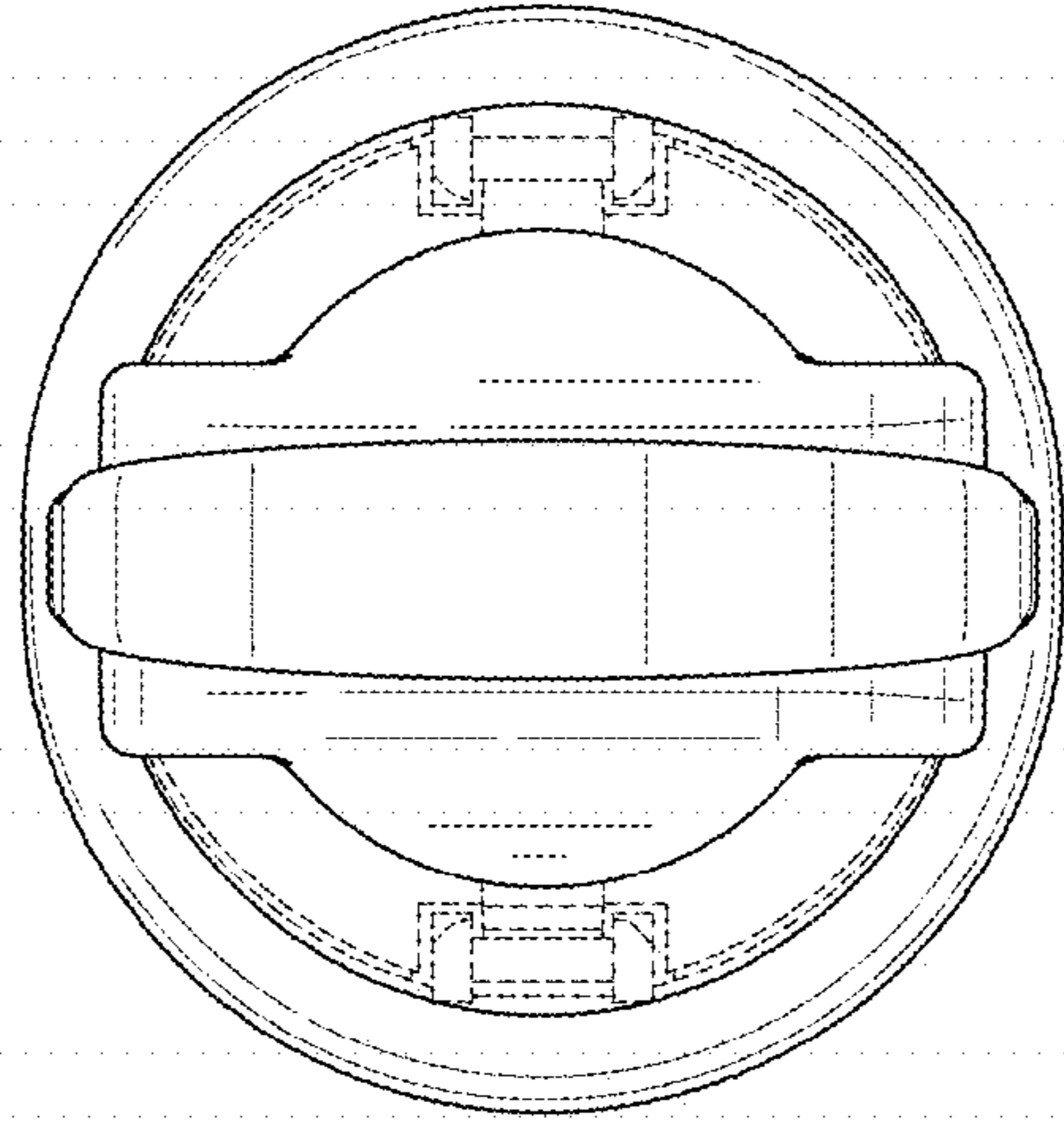


FIG. 6

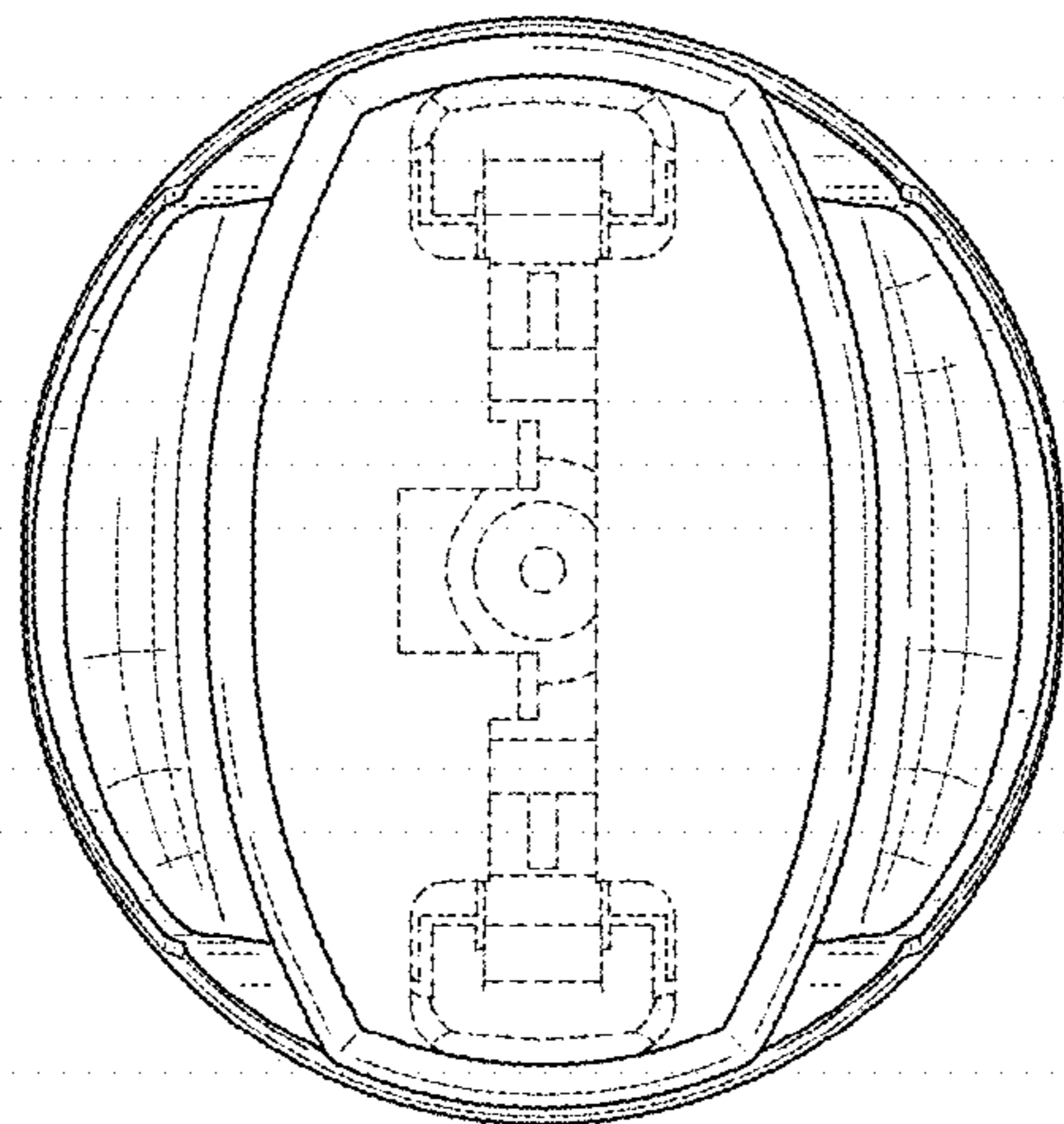


FIG. 7