



US00D910846S

(12) **United States Design Patent** (10) **Patent No.:** **US D910,846 S**
Siciliano (45) **Date of Patent:** **** Feb. 16, 2021**

(54) **TATTOO MACHINE**

FOREIGN PATENT DOCUMENTS

(71) Applicant: **FK Irons Inc.**, Doral, FL (US)
(72) Inventor: **Gaston Siciliano**, Doral, FL (US)
(73) Assignee: **FK Irons Inc.**, Doral, FL (US)
(**) Term: **15 Years**

CN	205913635	2/2017
CN	304462021	1/2018
CN	305127063	4/2019
CN	305318880	8/2019
CN	305991727	8/2020
EM	006392221-0002	5/2019
EM	008158729-0001	9/2020
JP	D1103810	3/2001

(Continued)

(21) Appl. No.: **29/739,092**

(22) Filed: **Jun. 22, 2020**

(51) **LOC (13) Cl.** **24-02**

(52) **U.S. Cl.**
USPC **D24/144**

(58) **Field of Classification Search**
USPC D24/144, 146; D28/7
CPC A61M 37/0076; A61M 37/0084; A61M
37/0092; A61M 37/00; A61M 5/46;
A61M 5/48; A61M 5/482; A61M 5/2466
See application file for complete search history.

(56) **References Cited**

U.S. PATENT DOCUMENTS

D322,479 S	12/1991	Miyaguchi	
D364,923 S	12/1995	Chou	
7,380,480 B1	6/2008	Chen	
8,920,379 B2 *	12/2014	Lee	A61M 37/0076 604/173
D746,448 S	12/2015	Wu et al.	
D805,198 S	12/2017	Lee	
D865,965 S	11/2019	Siciliano	
D866,762 S	11/2019	Lee	
10,471,246 B1	11/2019	Lipscomb	
D893,716 S	8/2020	Siciliano	
D901,685 S *	11/2020	Wang	D24/144
D903,866 S *	12/2020	Chen	D24/144
D906,520 *	12/2020	Wang	D24/146
2018/0369553 A1	12/2018	Siciliano	
2020/0114137 A1 *	4/2020	Siciliano	A61M 37/0076
2020/0398036 A1 *	12/2020	Wittendorff	A61M 37/0076

OTHER PUBLICATIONS

FK Irons Spektra Flux Stealth with Additional PowerBolt. Retrieved on Jan. 4, 2021. Retrieved from the Internet: <https://kingpintattoosupply.com/products/tattoo-supplies/tattoo-machines-and-parts/pen-machines/fk-irons-spektra-flux?SelectedSKU=FKI-SF-SAP&ut . . .>*

Primary Examiner — Wan Laymon
(74) *Attorney, Agent, or Firm* — Akerman LLP; Peter A. Chiabotti

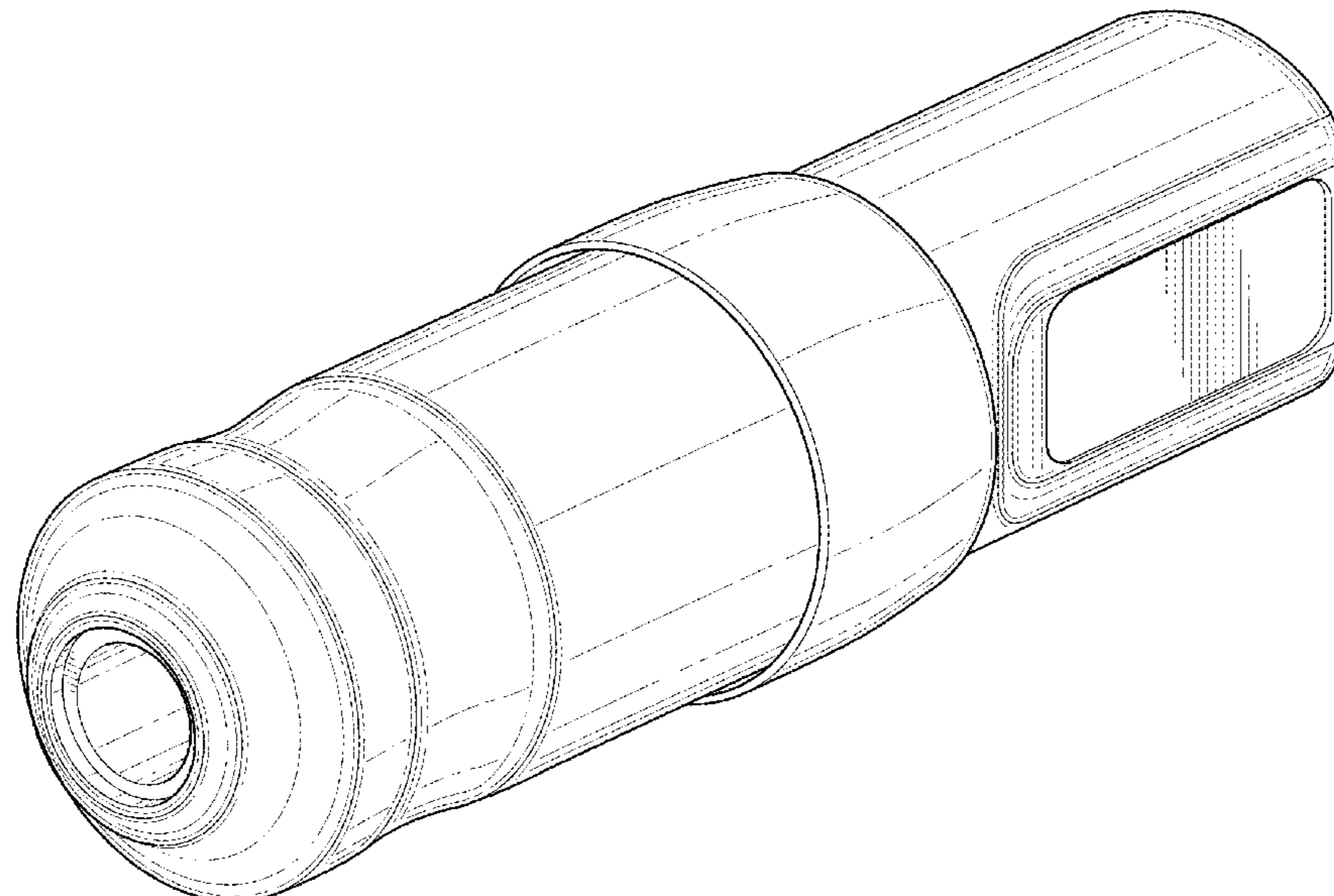
(57) **CLAIM**

The ornamental design for a tattoo machine, as shown and described.

DESCRIPTION

FIG. 1 is a front skewed perspective view of a tattoo machine in accordance with the present invention;
FIG. 2 is a bottom view thereof;
FIG. 3 is a top view thereof;
FIG. 4 is a left side view thereof;
FIG. 5 is a right side view thereof;
FIG. 6 is a front view thereof; and,
FIG. 7 is a rear view thereof.
The features shown in dashed lines in the various Figures are for illustrating environmental structure and form no part of the claimed design.

1 Claim, 4 Drawing Sheets



(56)

References Cited

FOREIGN PATENT DOCUMENTS

JP	D1341174	10/2008
JP	D1341392	10/2008
KR	10-2017-0107817	9/2017
KR	10-2042176	11/2019
KR	30-1077593	10/2020
WO	2019/096936	5/2019

* cited by examiner

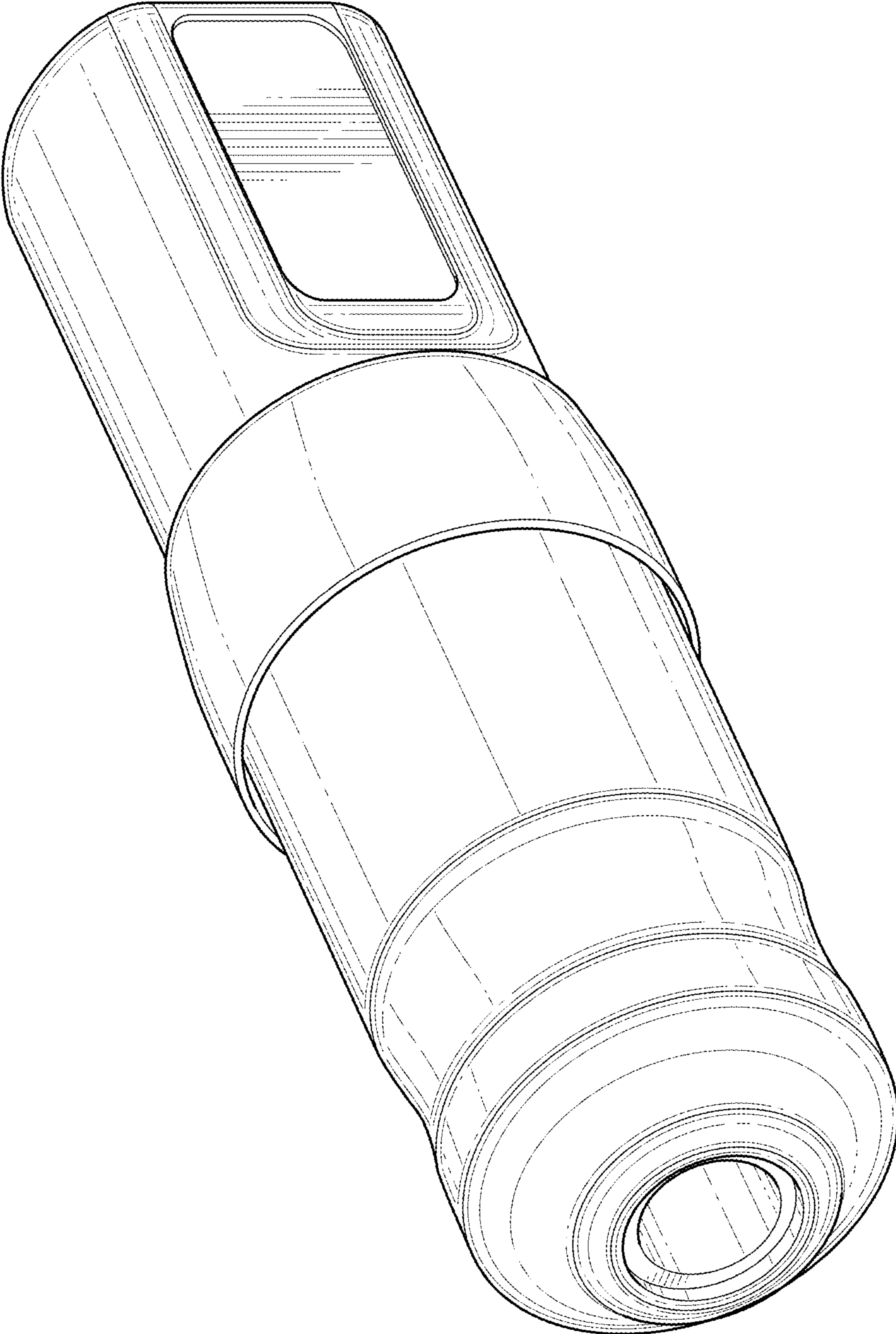


FIG. 1

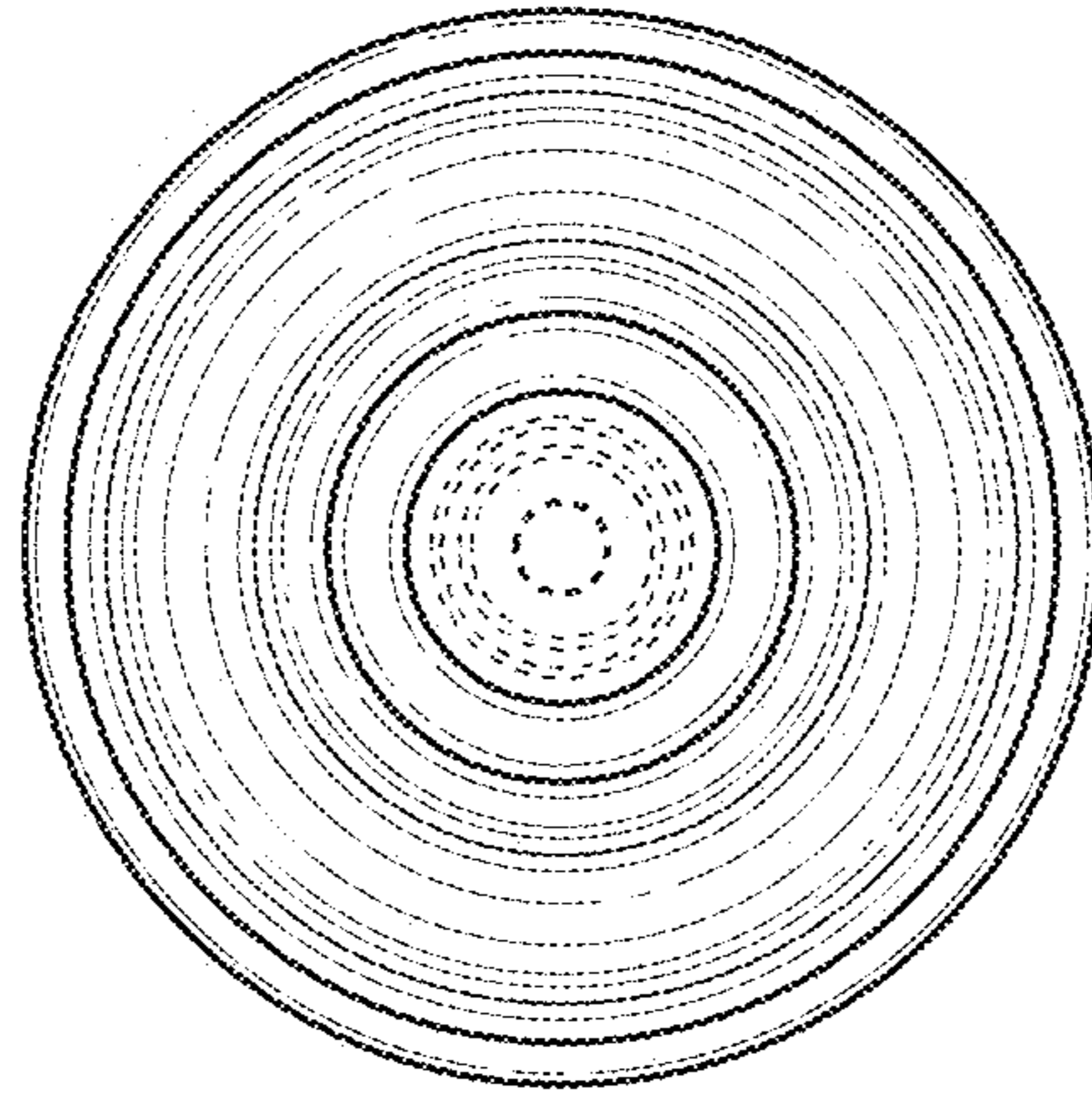


FIG. 2

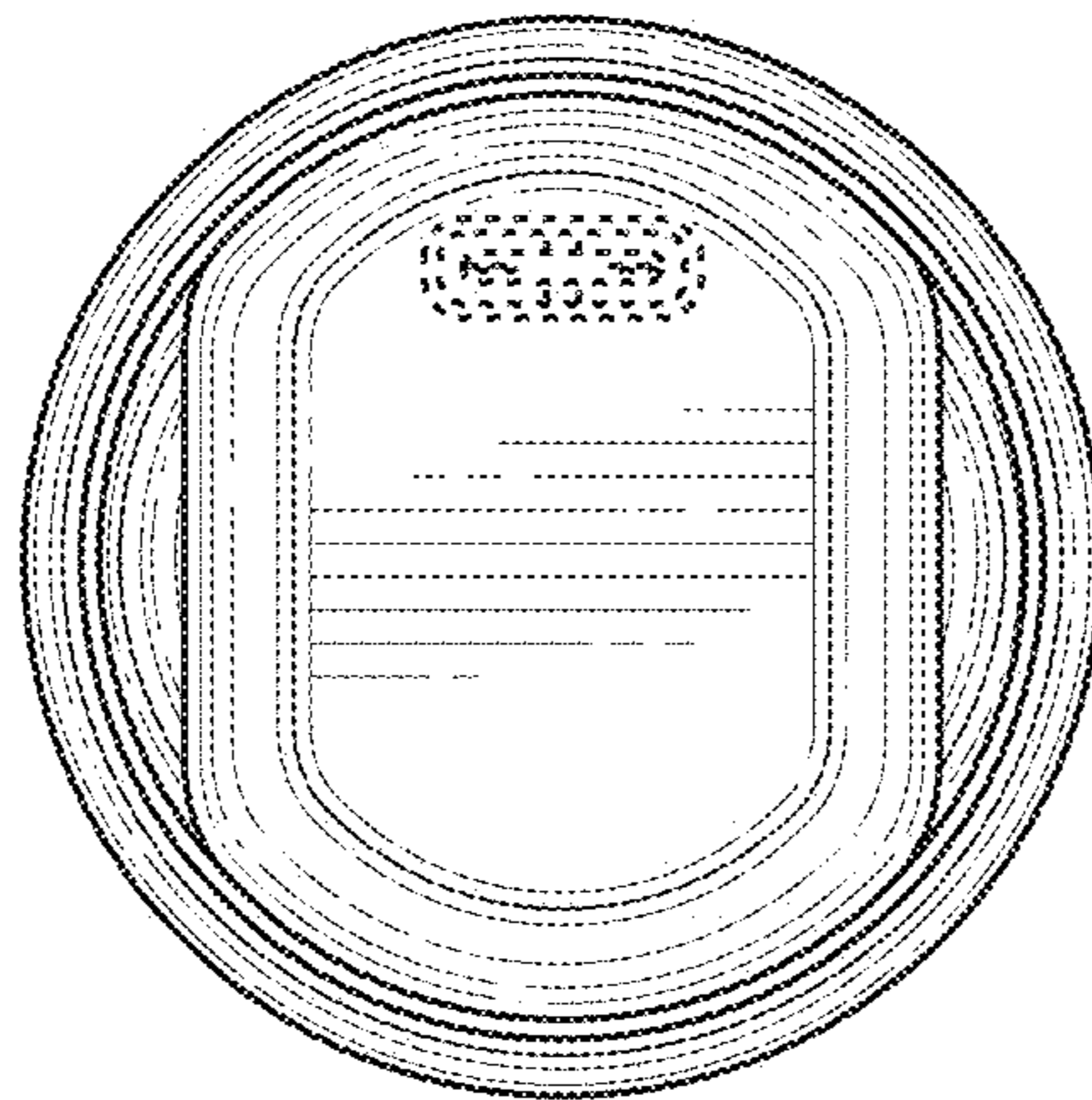


FIG. 3

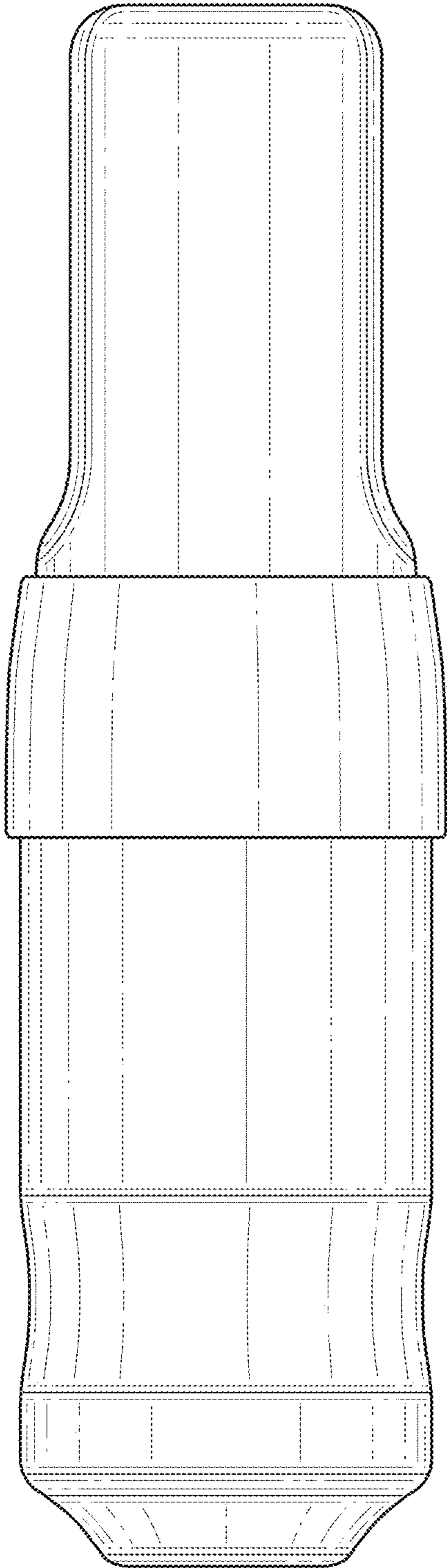


FIG. 4

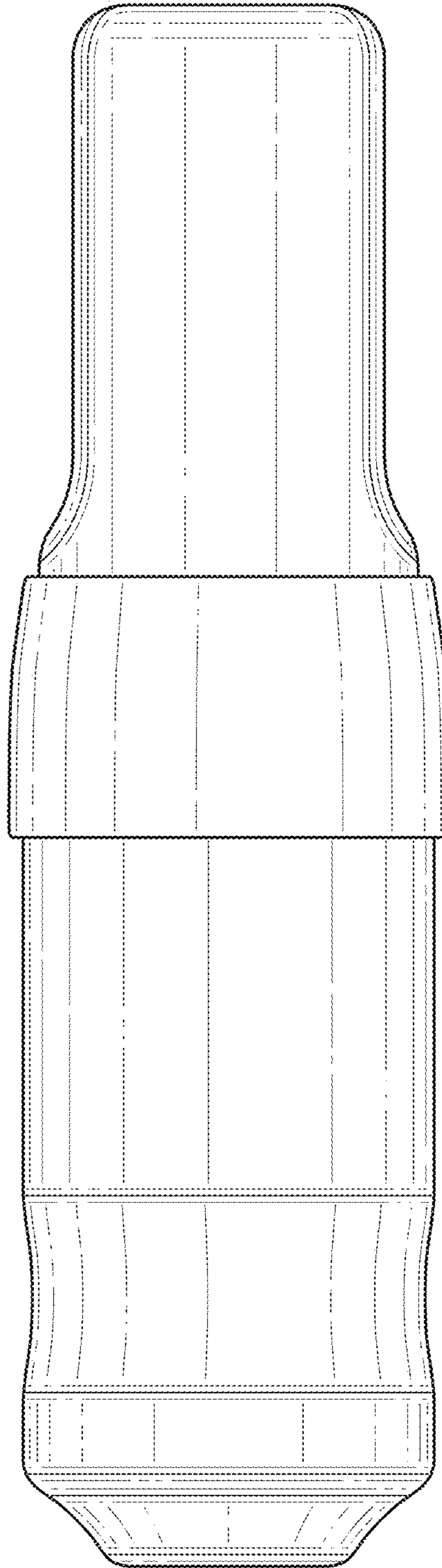


FIG. 5

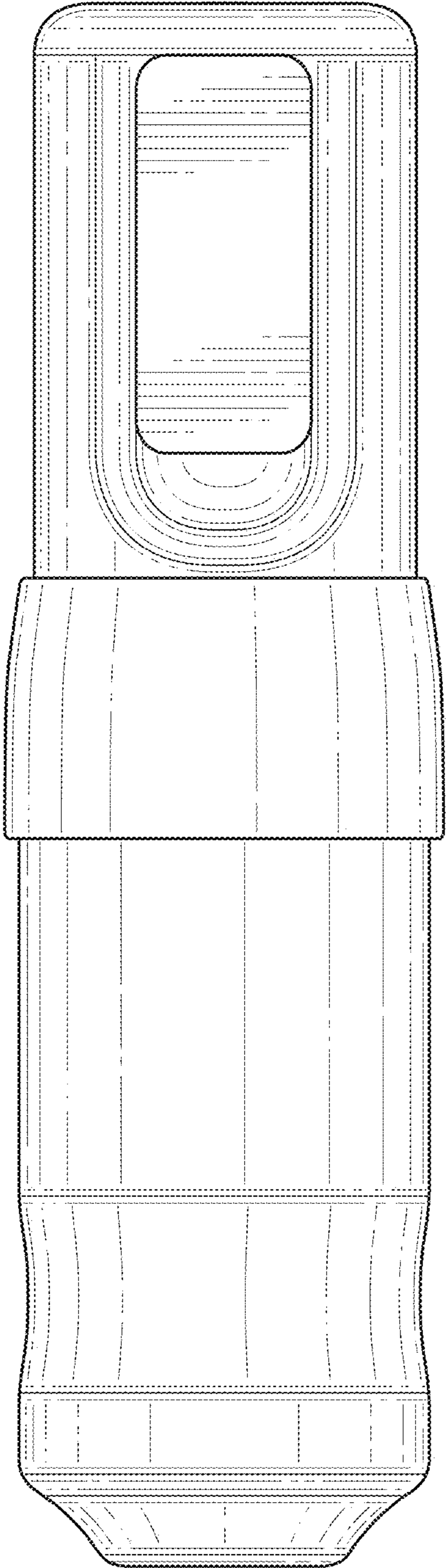


FIG. 6

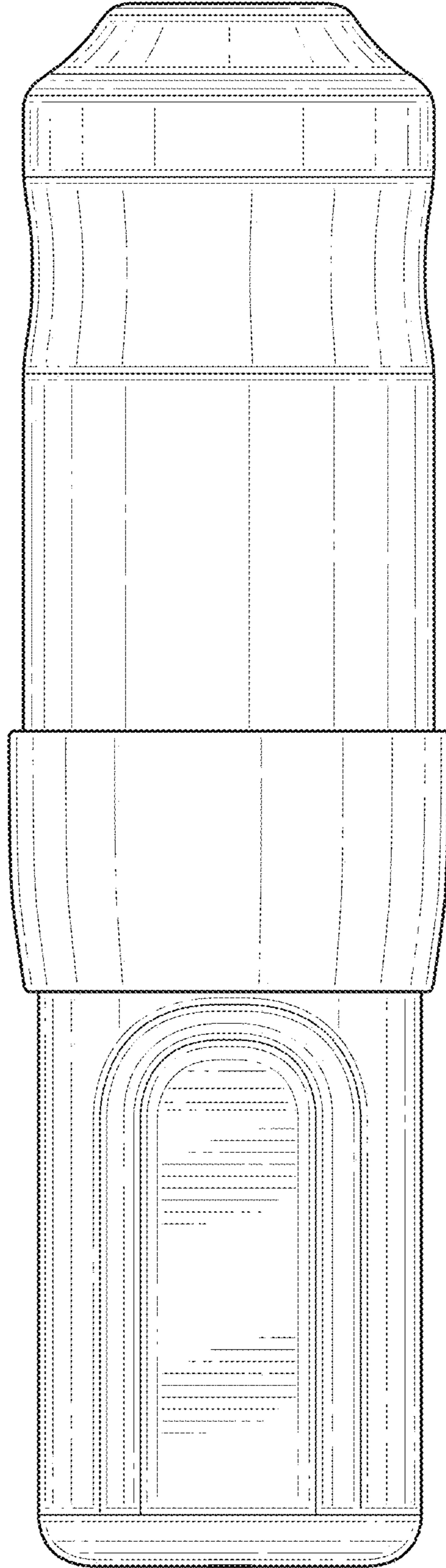


FIG. 7