



US00D910844S

(12) **United States Design Patent** (10) **Patent No.:** **US D910,844 S**
Fugo (45) **Date of Patent:** **** Feb. 16, 2021**

(54) **RECTANGULAR HYPODERMIC NEEDLE ARRAY WITH EVENLY SPACED NEEDLES**

(71) Applicant: **Jonathan Robin Fugo**, Wappingers Falls, NY (US)

(72) Inventor: **Jonathan Robin Fugo**, Wappingers Falls, NY (US)

(73) Assignee: **Gravity Holdings, LLC**, Wappingers Falls, NY (US)

(**) Term: **15 Years**

(21) Appl. No.: **29/737,998**

(22) Filed: **Jun. 13, 2020**

Related U.S. Application Data

(63) Continuation-in-part of application No. 15/931,631, filed on May 14, 2020.

(51) **LOC (13) Cl.** **24-02**

(52) **U.S. Cl.**
USPC **D24/130**

(58) **Field of Classification Search**
USPC D24/112–114, 108, 133, 130, 127, 186; 606/181, 185; 604/264, 272, 187, 181, 604/184, 227
CPC A61M 37/0015; A61M 5/178; A61M 3/00; A61M 5/20; A61M 5/31; A61M 5/3146; A61M 5/3129; A61M 5/3148; A61M 5/315; B29C 35/0261
See application file for complete search history.

(56) **References Cited**

U.S. PATENT DOCUMENTS

6,132,449 A * 10/2000 Lum A61B 5/150022 606/181
6,551,338 B1 * 4/2003 Chiu A61B 17/34 128/898

8,696,637 B2 * 4/2014 Ross A61M 5/14248 604/173
2004/0072105 A1 * 4/2004 Yeshurun A61M 37/0015 430/313
2004/0249405 A1 * 12/2004 Watanabe A61B 5/150503 606/181
2005/0034200 A1 * 2/2005 Montemagno A61M 37/0015 427/2.28
2010/0048744 A1 * 2/2010 Park B29C 35/0261 521/50
2011/0005669 A1 * 1/2011 Lee A61B 5/685 156/256
2014/0142492 A1 * 5/2014 Jung A61M 37/0015 604/21
2014/0257188 A1 * 9/2014 Kendall A61M 37/0015 604/173
2015/0112283 A1 * 4/2015 Tagami A61M 37/0015 604/272
2016/0325081 A1 * 11/2016 Kato A61M 37/0015
2017/0021025 A1 * 1/2017 Naheed A61M 37/0015

(Continued)

Primary Examiner — David G Muller

(74) *Attorney, Agent, or Firm* — Bryan Cave Leighton Paisner LLP

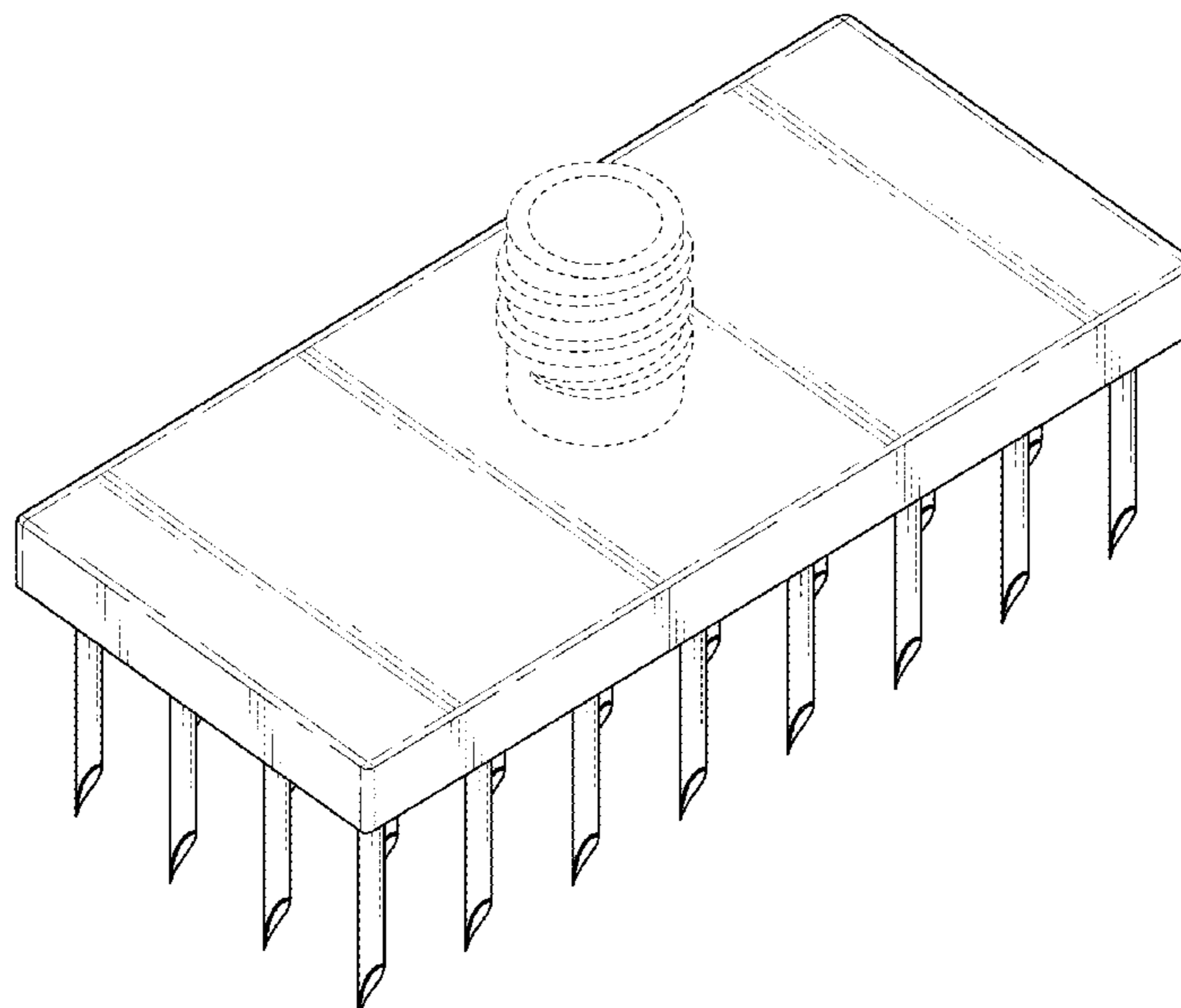
(57) **CLAIM**

The ornamental design for a rectangular hypodermic needle array with evenly spaced needles, as shown and described.

DESCRIPTION

FIG. 1 is a top perspective view of a rectangular hypodermic needle array with evenly spaced needles;
FIG. 2 is a bottom perspective view thereof;
FIG. 3 is a front view thereof;
FIG. 4 is a rear view thereof;
FIG. 5 is a left side view thereof;
FIG. 6 is a right side view thereof;
FIG. 7 is a top view thereof; and,
FIG. 8 is a bottom view thereof.

1 Claim, 8 Drawing Sheets



(56)

References Cited

U.S. PATENT DOCUMENTS

2017/0266427 A1* 9/2017 Nishimura A61K 9/0021
2018/0161252 A1* 6/2018 Francis A61K 8/732
2018/0161563 A1* 6/2018 Renlund A61B 5/150282
2018/0369136 A1* 12/2018 Narayan A61K 31/593
2019/0030309 A1* 1/2019 Kwon B29C 39/02
2019/0090811 A1* 3/2019 Reitz A61B 5/6839
2019/0091455 A1* 3/2019 Reitz B21D 17/02
2019/0351588 A1* 11/2019 Sakazaki B29C 39/26
2019/0381300 A1* 12/2019 Kobayashi A61K 47/183
2020/0029981 A1* 1/2020 Park A61K 9/0021
2020/0129746 A1* 4/2020 Niitsu B29C 65/48
2020/0147359 A1* 5/2020 Groop A61B 17/3417
2020/0164193 A1* 5/2020 Williams A01K 11/001
2020/0246602 A1* 8/2020 Tamaki A61M 37/0015
2020/0282604 A1* 9/2020 Mochizuki B29C 33/40
2020/0331691 A1* 10/2020 Sakazaki A61M 37/0015

* cited by examiner

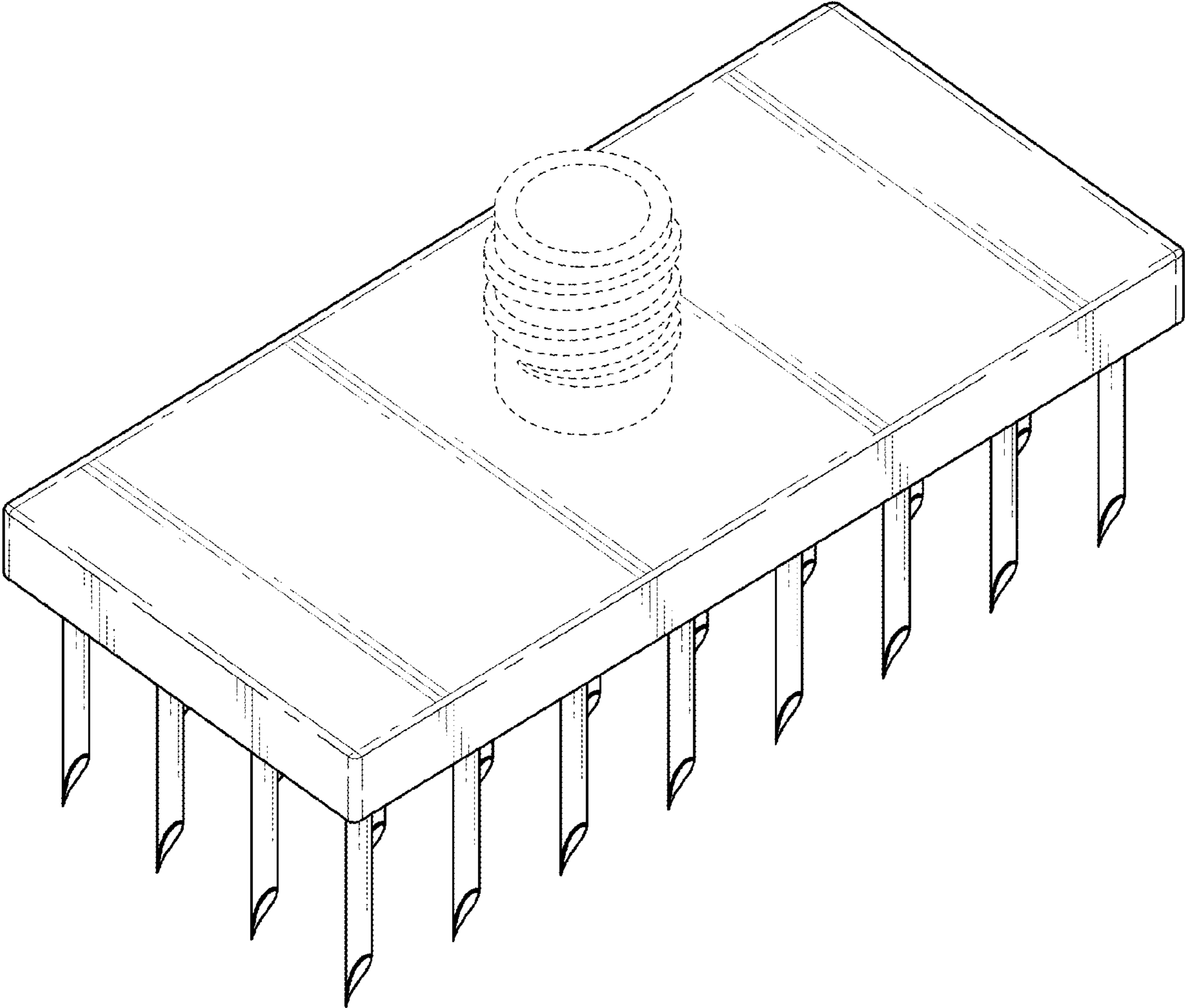


FIG. 1

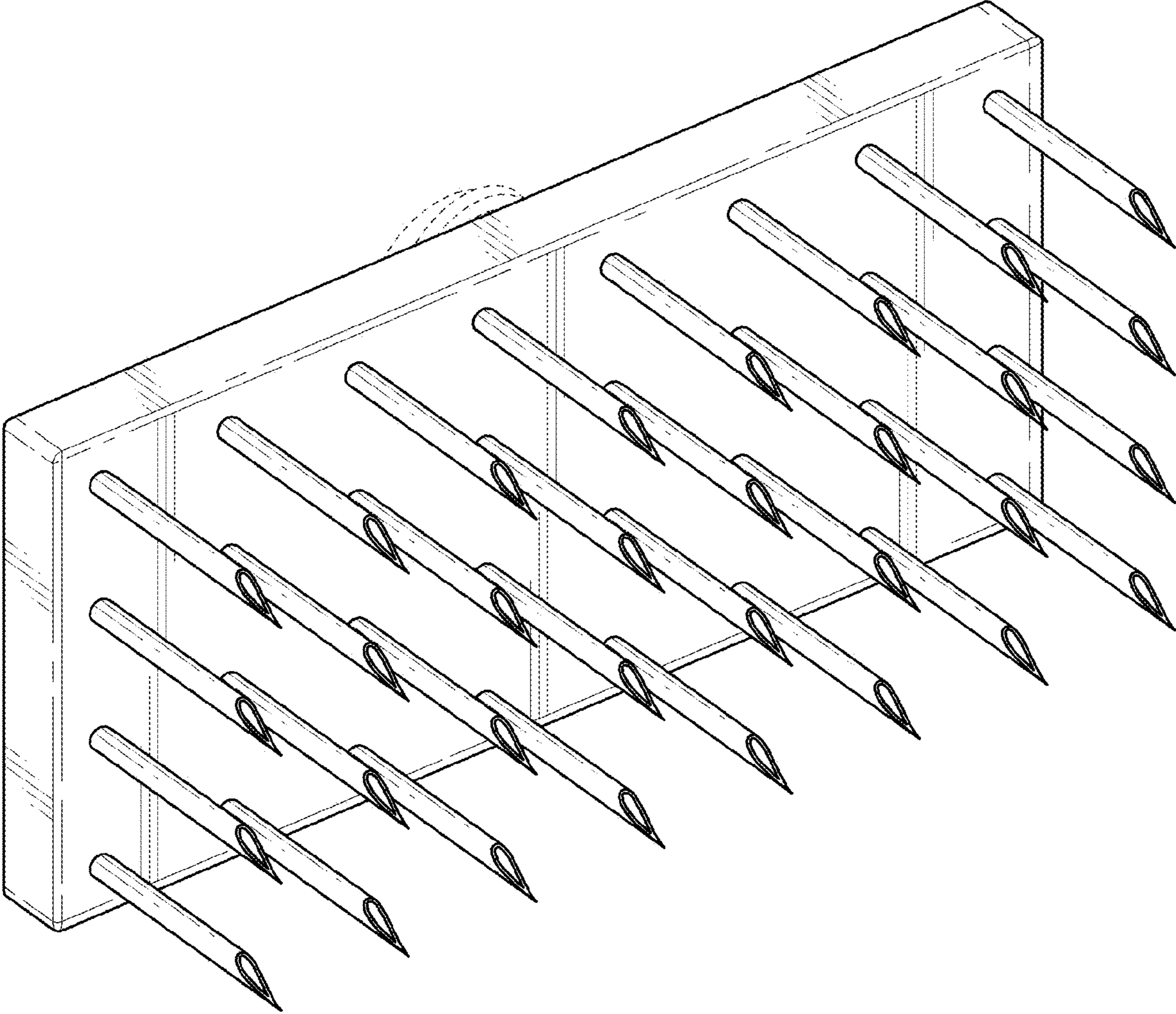


FIG. 2

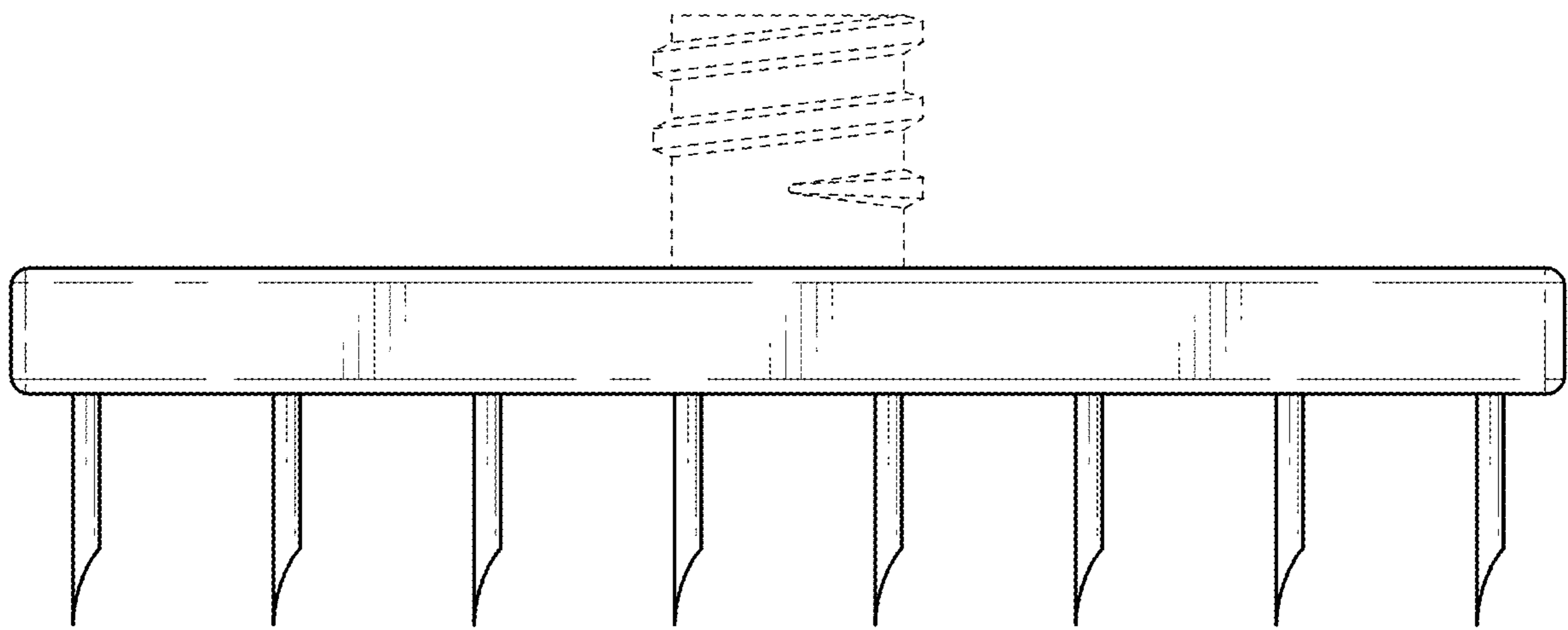


FIG. 3

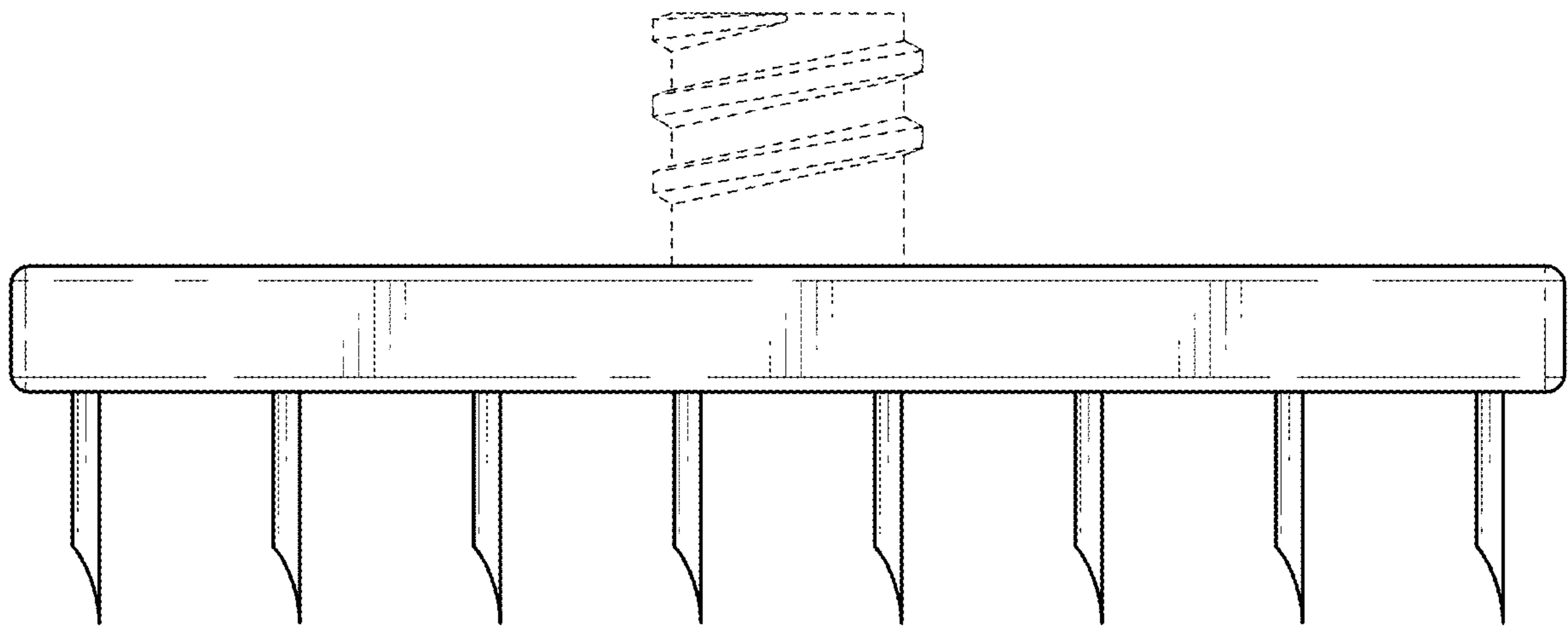


FIG. 4

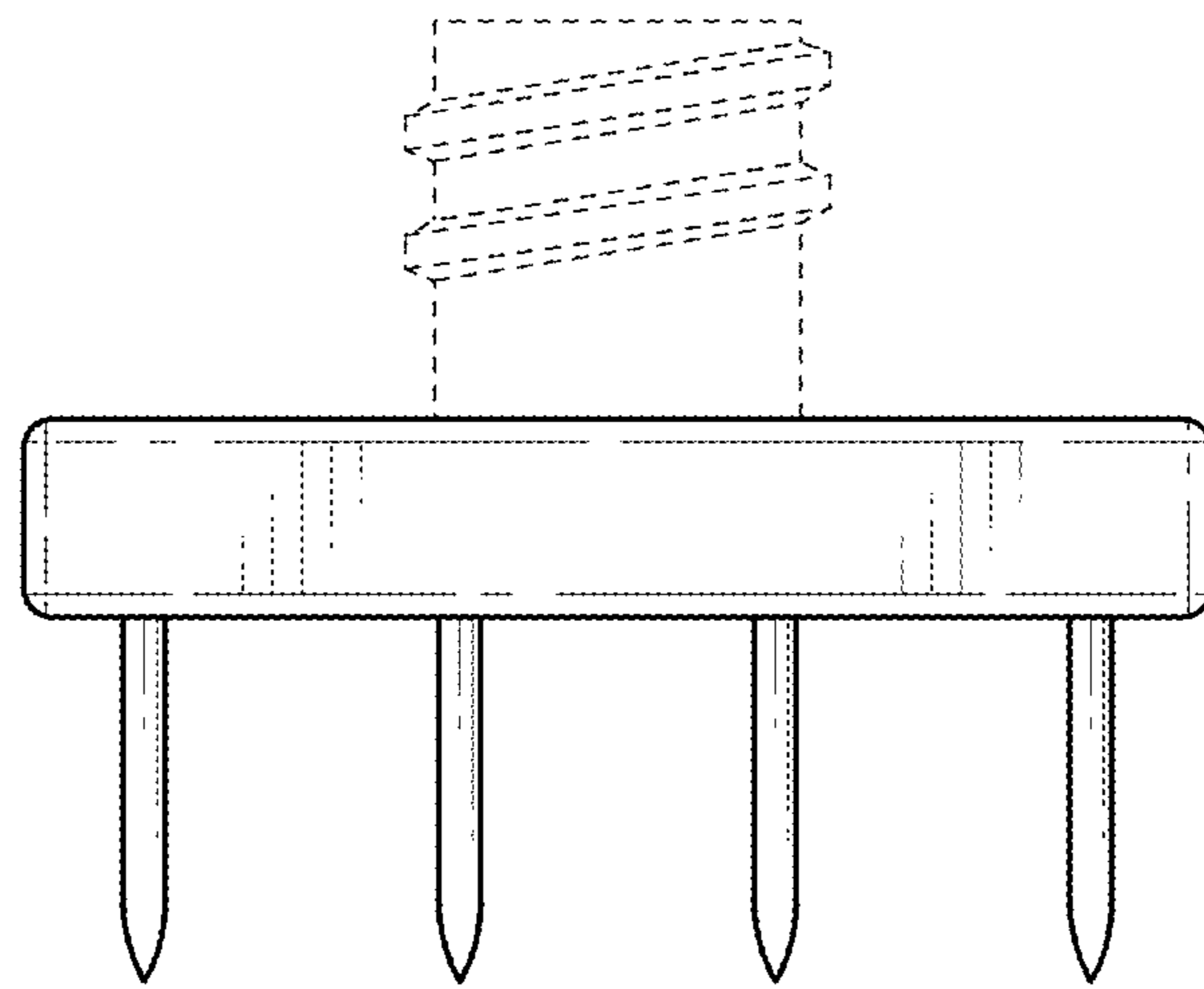


FIG. 5

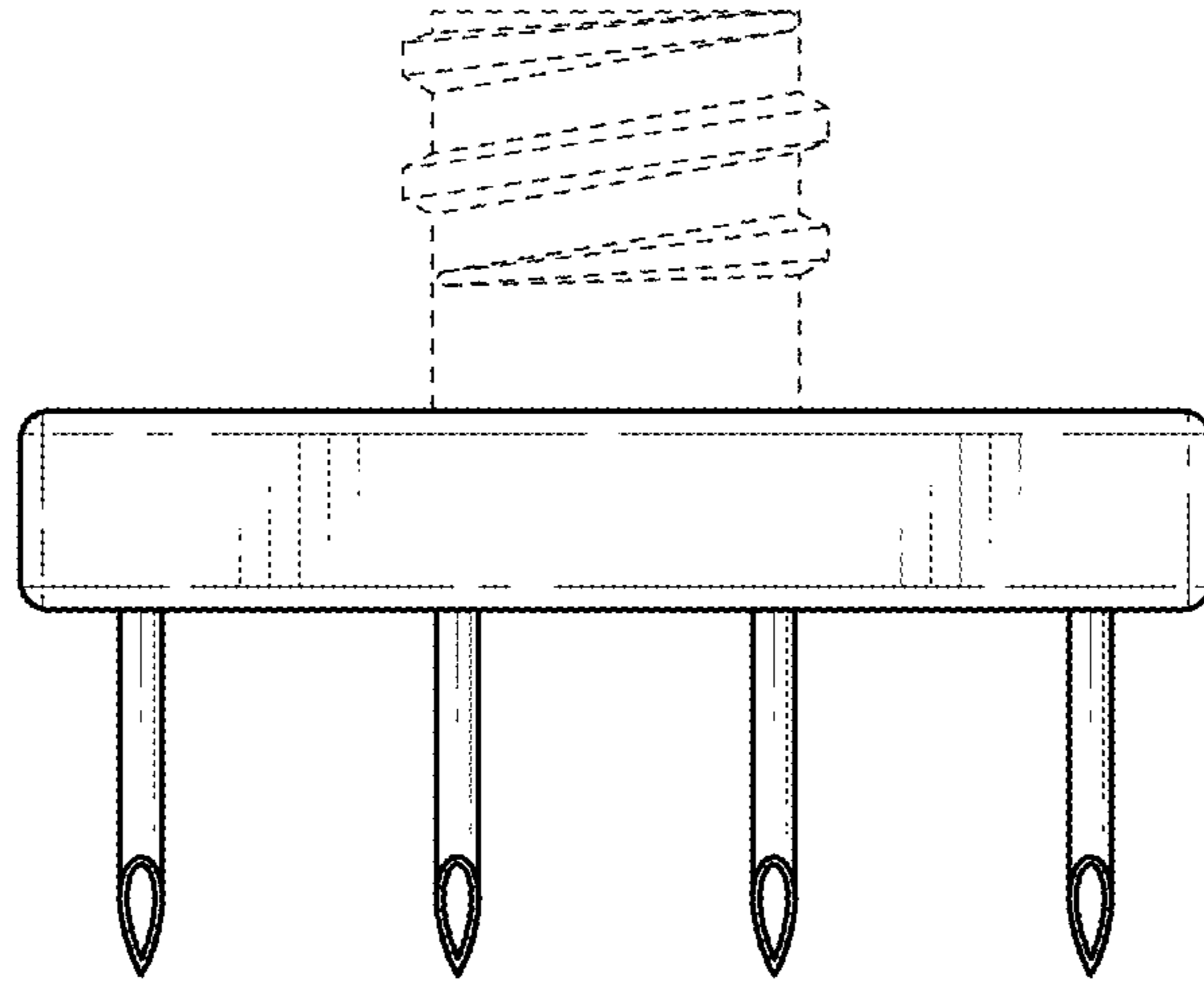


FIG. 6

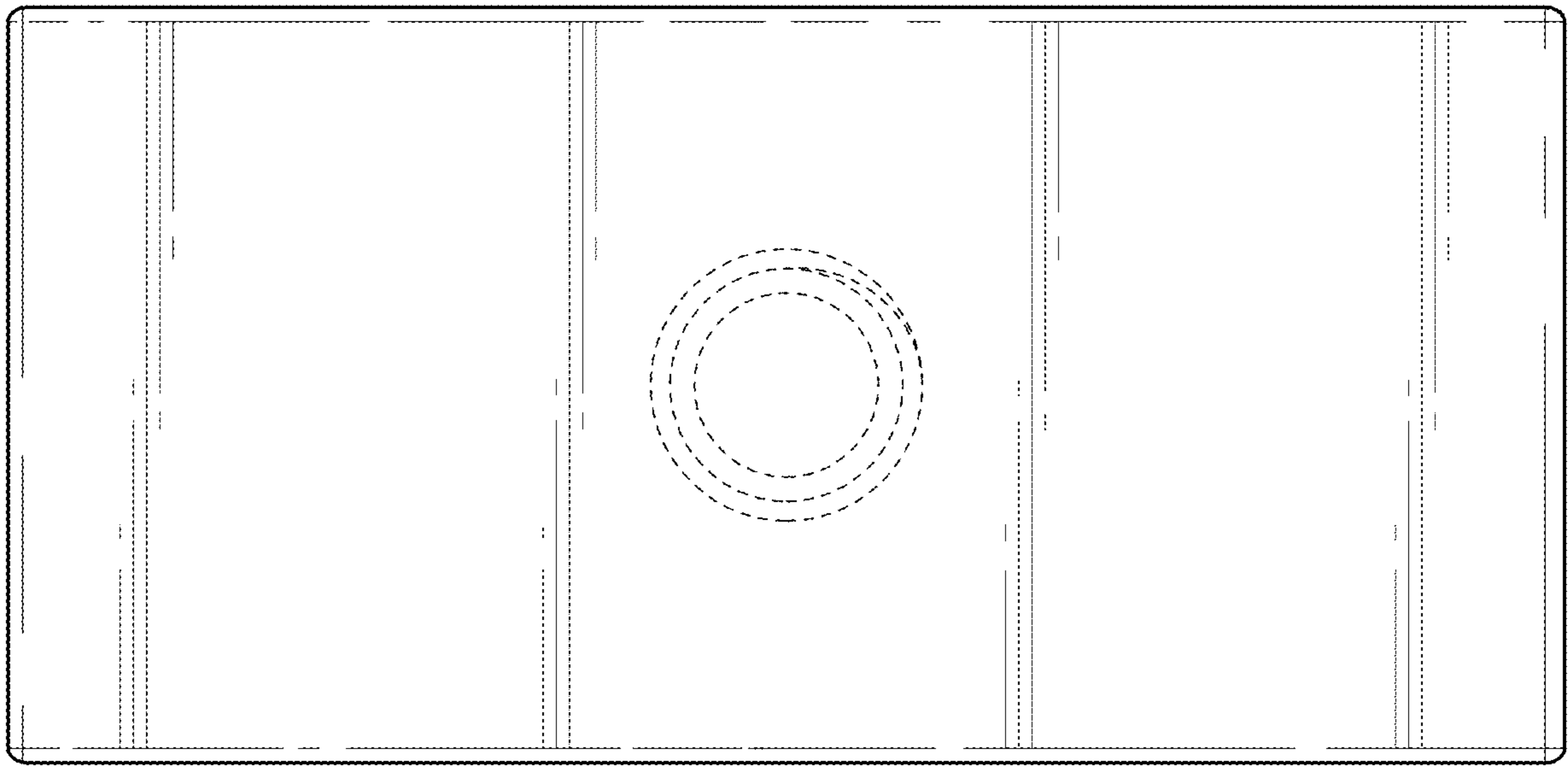


FIG. 7

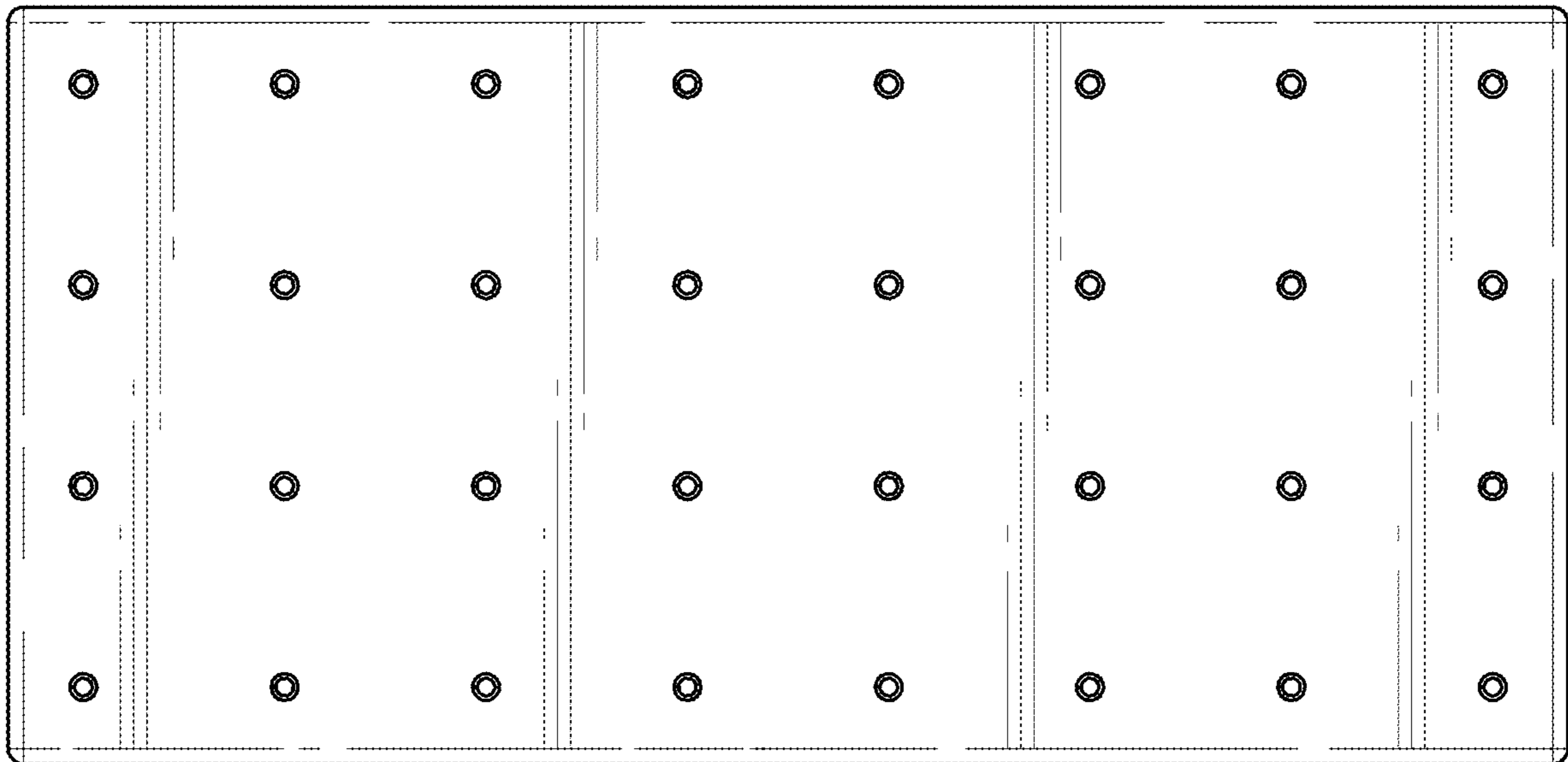


FIG. 8