



US00D910840S

(12) **United States Design Patent** (10) **Patent No.:** **US D910,840 S**
Klenner et al. (45) **Date of Patent:** **** Feb. 16, 2021**

(54) **CONNECTOR FOR A NASAL CANNULA ASSEMBLY**
(71) Applicant: **Fisher & Paykel Healthcare Limited**, Auckland (NZ)
(72) Inventors: **Jason Allan Klenner**, Auckland (NZ); **Brent Ian Laing**, Auckland (NZ); **Sooji Hope Clarkson**, Auckland (NZ)
(73) Assignee: **Fisher & Paykel Healthcare Limited**, Auckland (NZ)
(**) Term: **15 Years**
(21) Appl. No.: **29/724,850**
(22) Filed: **Feb. 19, 2020**

Related U.S. Application Data

(60) Continuation of application No. 29/691,851, filed on May 20, 2019, now Pat. No. Des. 879,956, which is a division of application No. 29/578,624, filed on Sep. 22, 2016, now Pat. No. Des. 852,949.
(51) **LOC (13) Cl.** **24-02**
(52) **U.S. Cl.**
USPC **D24/129**
(58) **Field of Classification Search**
USPC D24/112-114, 108, 130, 127, 133, 186; 606/181, 185; 604/264, 523-528, 272, 604/164.01-164.11, 187, 93.01; 600/101, 600/139, 143; 128/200.24, 207.14, 128/207.15
CPC .. A61M 25/065; A61M 5/42; A61M 25/0612; A61M 25/00; A61M 39/00; A61M 27/00; A61M 25/0043; A61M 25/0067; A61M 25/0097; A61F 2/958
See application file for complete search history.

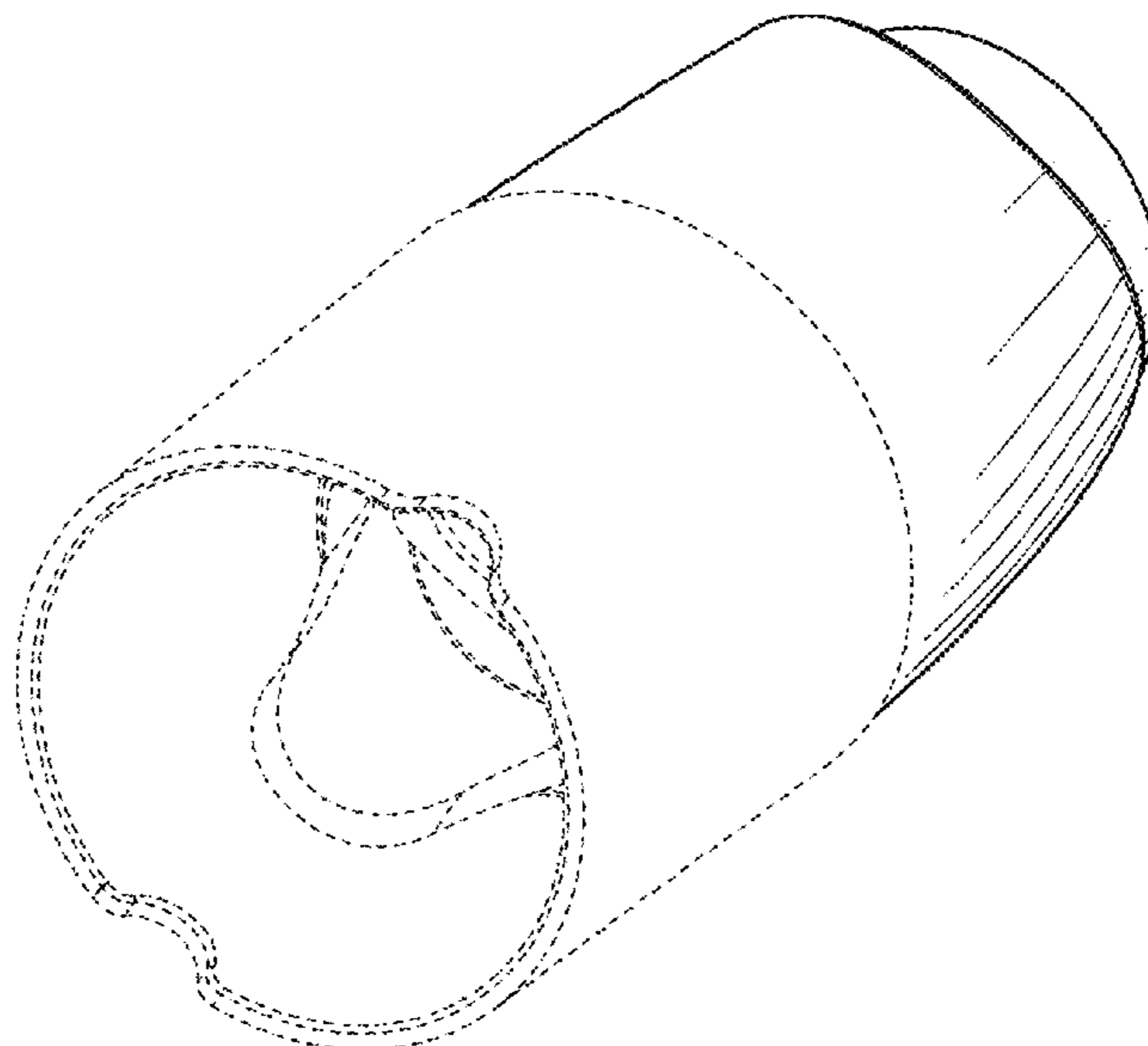
(56) **References Cited**
U.S. PATENT DOCUMENTS
D267,199 S 12/1982 Koenig
D362,718 S 9/1995 Deily et al.
6,099,519 A * 8/2000 Olsen A61M 16/0463 604/171
D547,657 S * 7/2007 Tacchella D9/454
D556,899 S 12/2007 Veliss et al.
7,306,121 B2 * 12/2007 Ophardt B65D 47/065 222/209
D586,911 S 2/2009 McAuley et al.
D600,343 S 9/2009 Degabriele et al.
D612,481 S 3/2010 Reid et al.
D682,415 S 5/2013 Mogensen et al.
D685,463 S 7/2013 Veliss et al.
D710,695 S * 8/2014 Pritikin D9/435
D717,942 S 11/2014 Neff et al.
(Continued)

Primary Examiner — David G Muller
(74) *Attorney, Agent, or Firm* — Knobbe, Martens, Olson & Bear, LLP

(57) **CLAIM**
The ornamental design for a connector of a nasal cannula assembly, as shown and described.

DESCRIPTION
FIG. 1 is a front, left side and top perspective view of a connector for a nasal cannula assembly.
FIG. 2 is a left side view thereof.
FIG. 3 is a right side view thereof.
FIG. 4 is a rear view thereof.
FIG. 5 is a front view thereof.
FIG. 6 is a top view thereof.
FIG. 7 is a bottom view thereof; and,
FIG. 8 is a rear, right side and top perspective view thereof.
The broken lines in the drawings illustrate portions of the nasal cannula assembly or portions of the connector for a nasal cannula assembly which form no part of the claimed design.

1 Claim, 3 Drawing Sheets



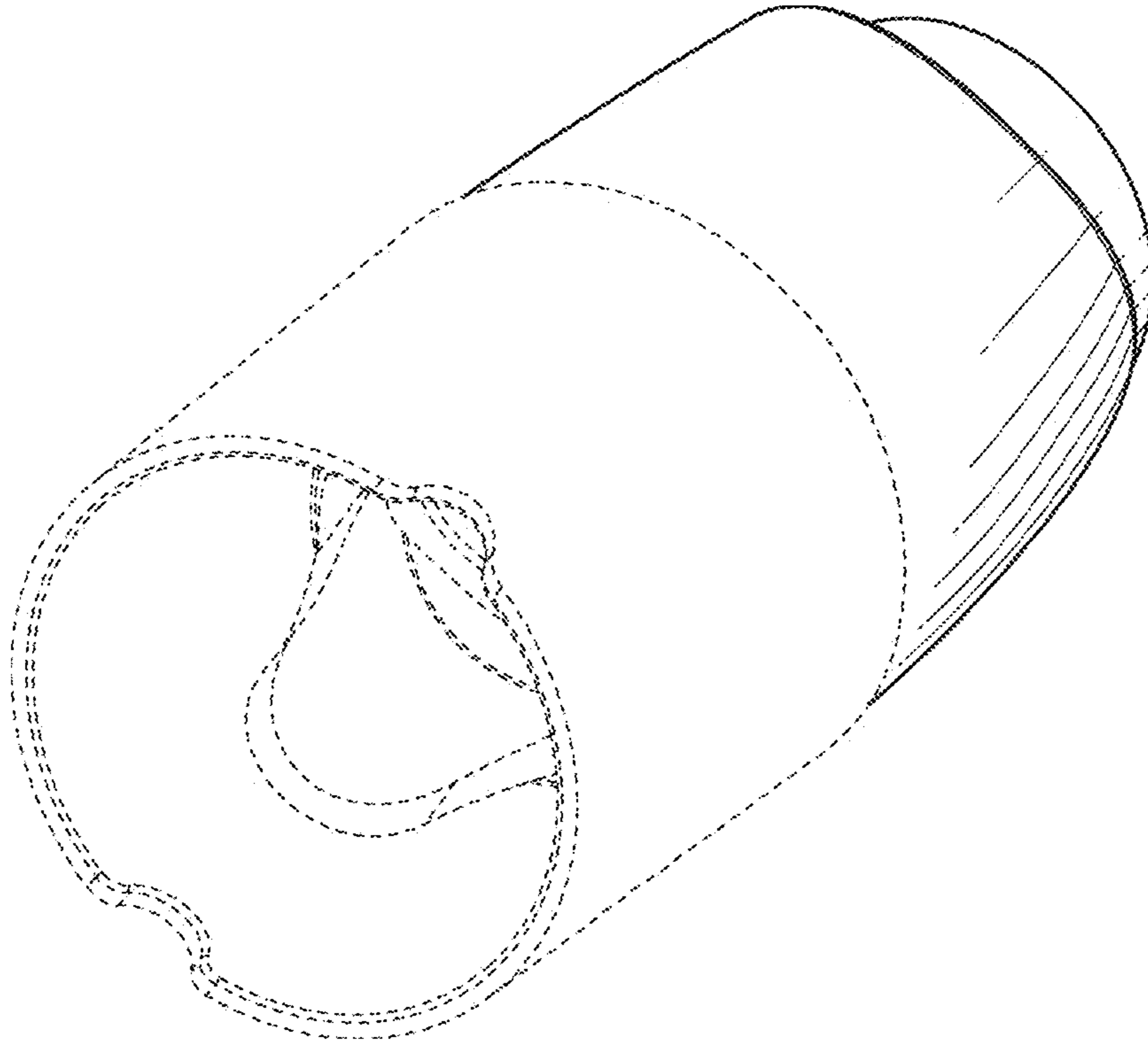


FIG. 1

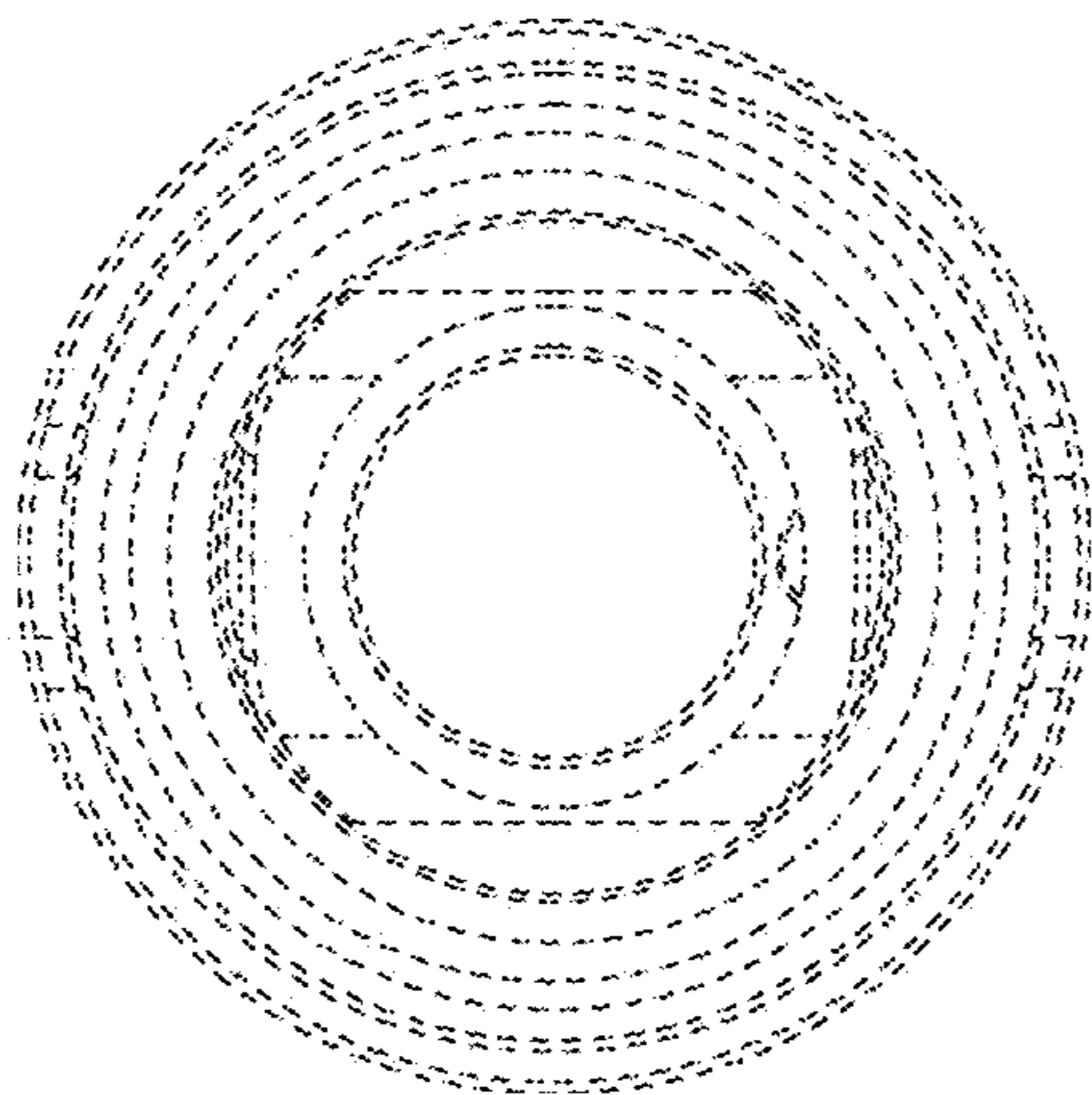


FIG. 2

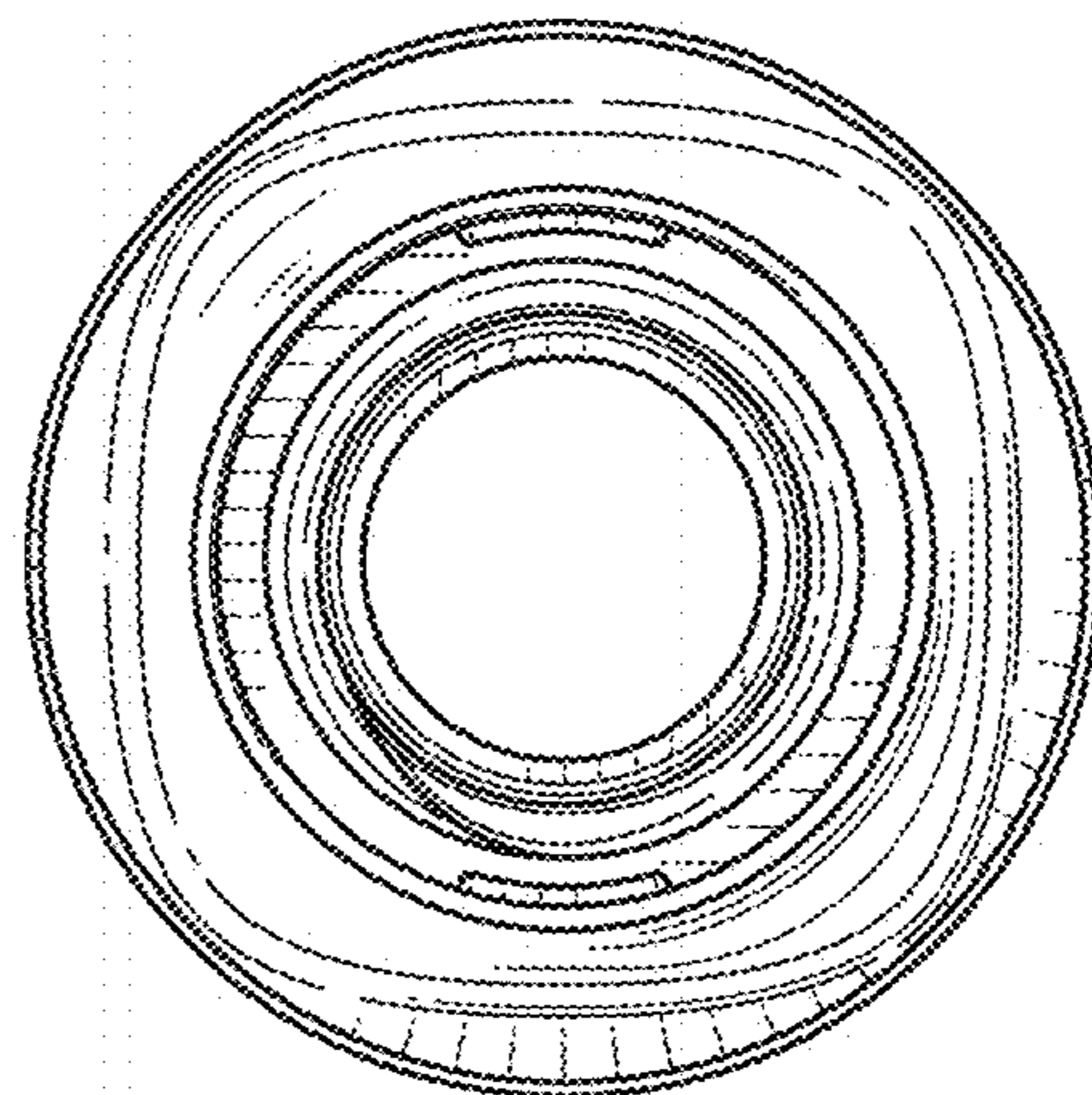


FIG. 3

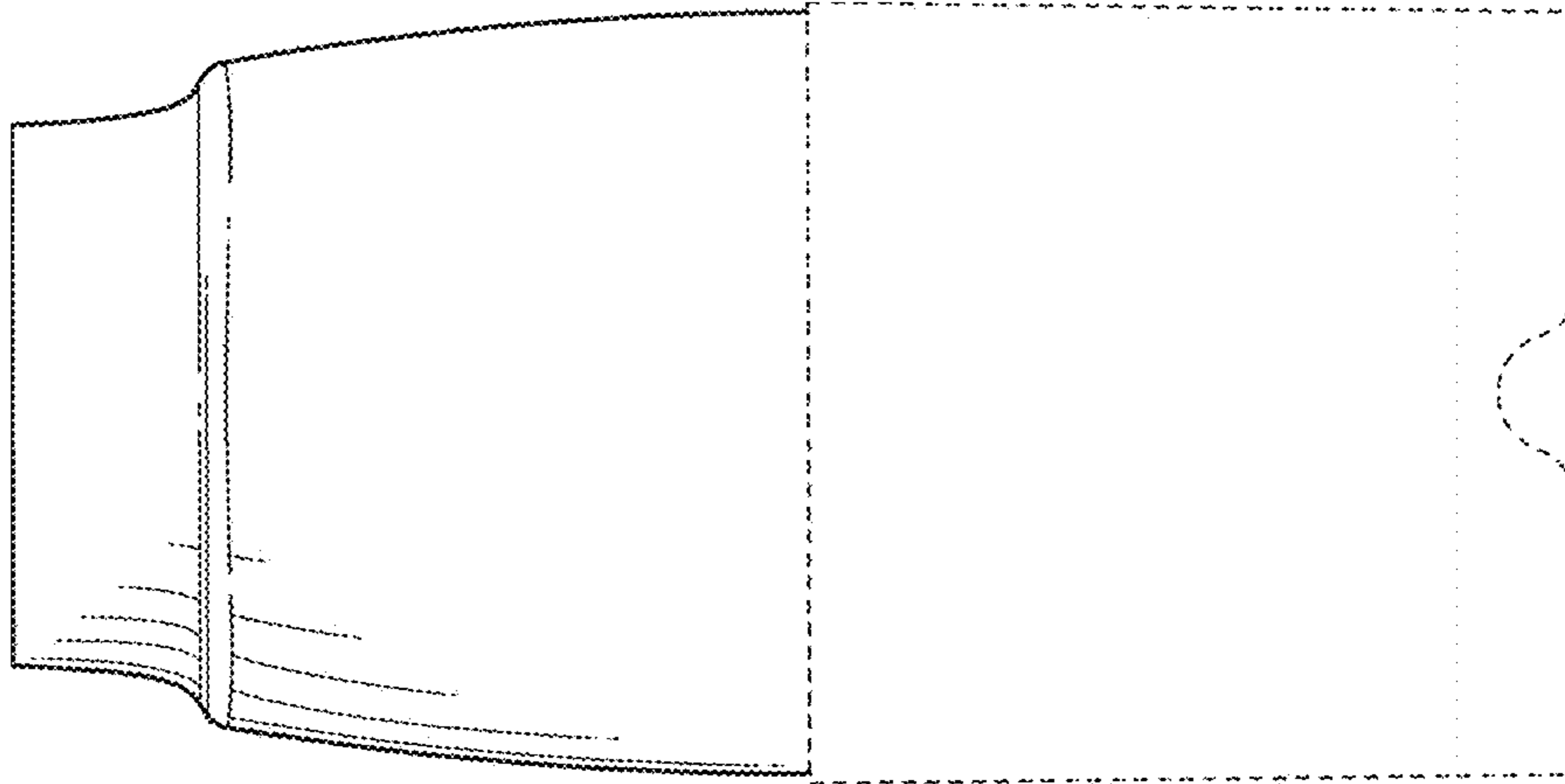


FIG. 4

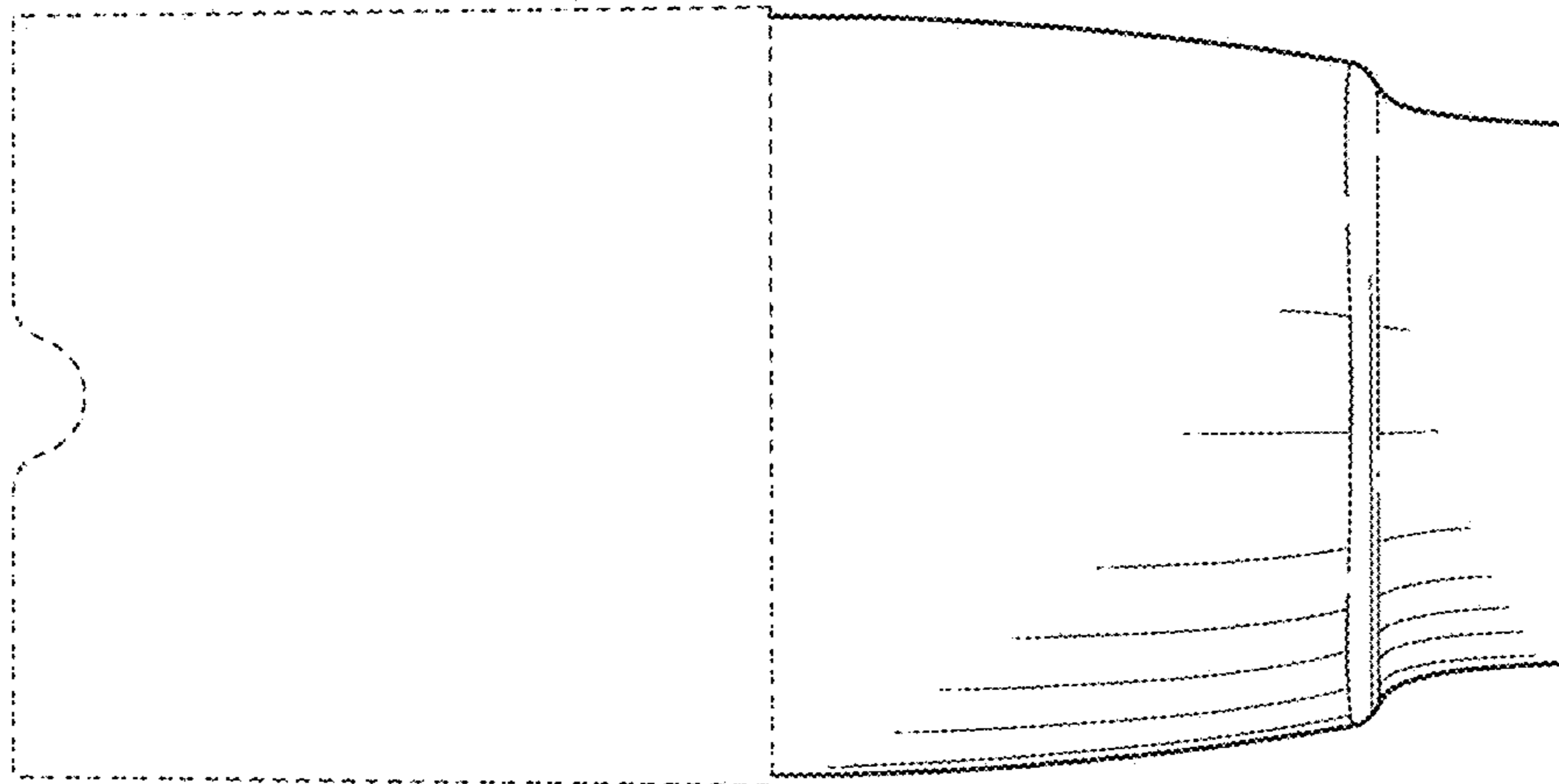


FIG. 5

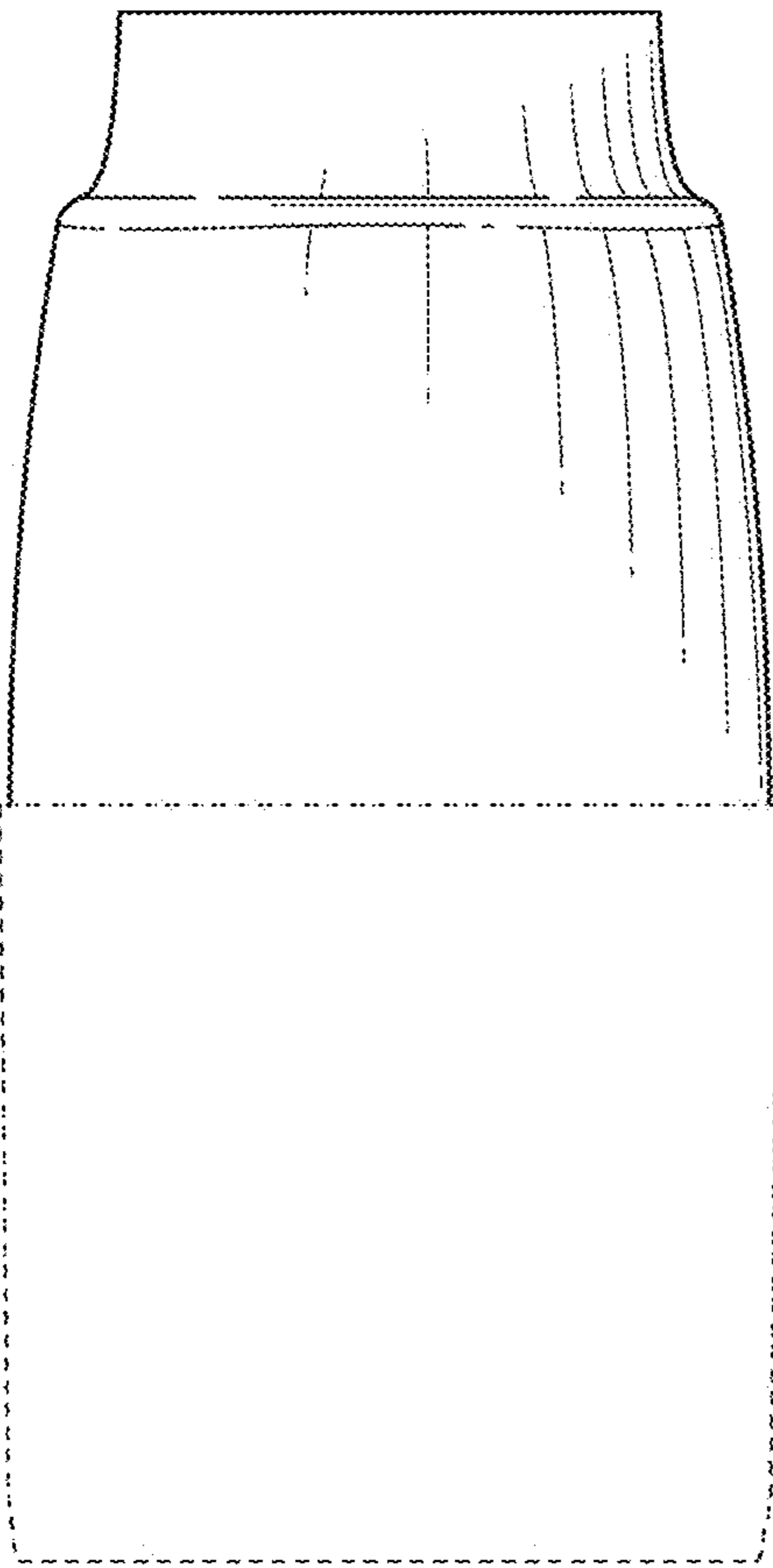


FIG. 6

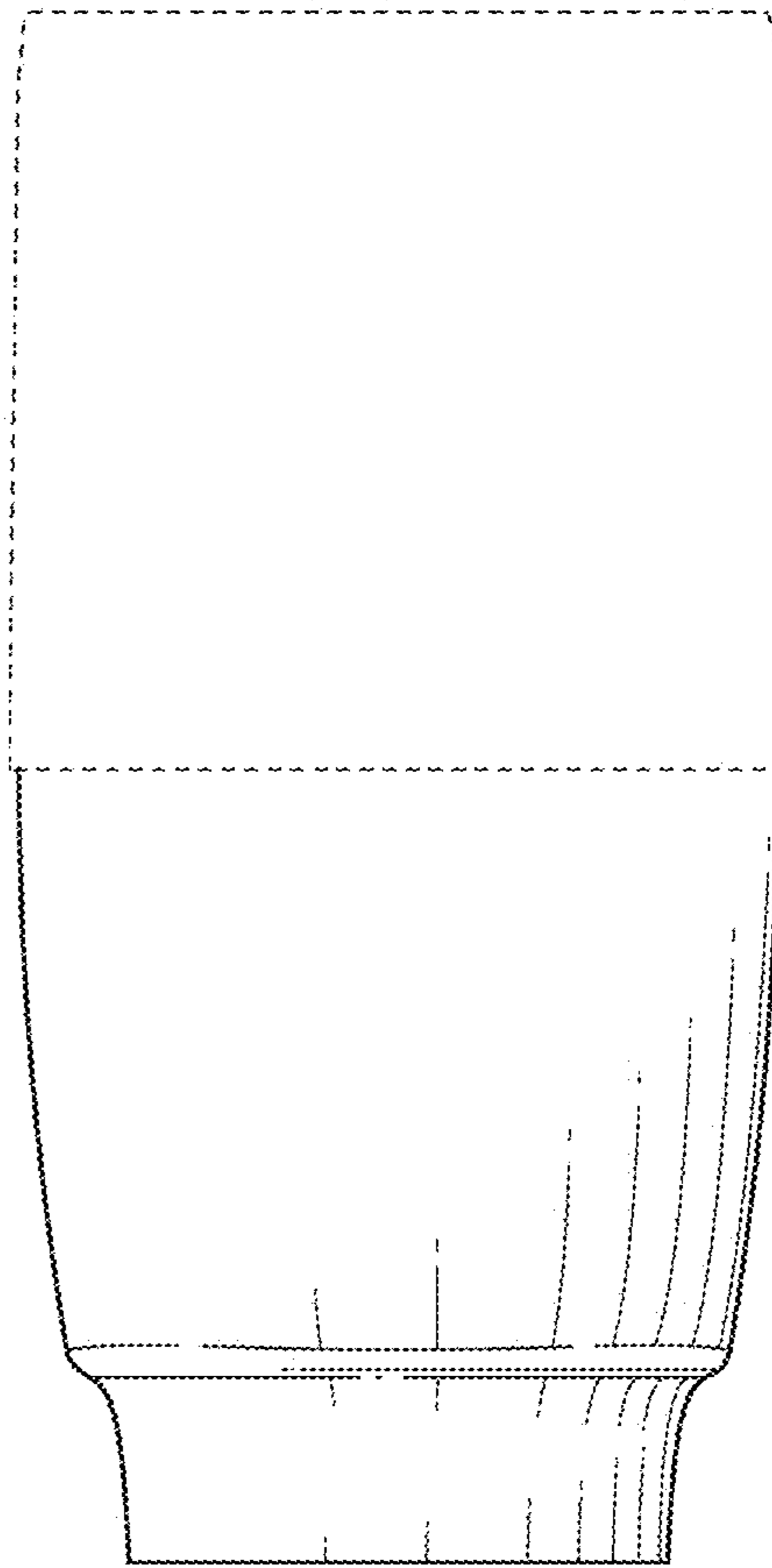


FIG. 7

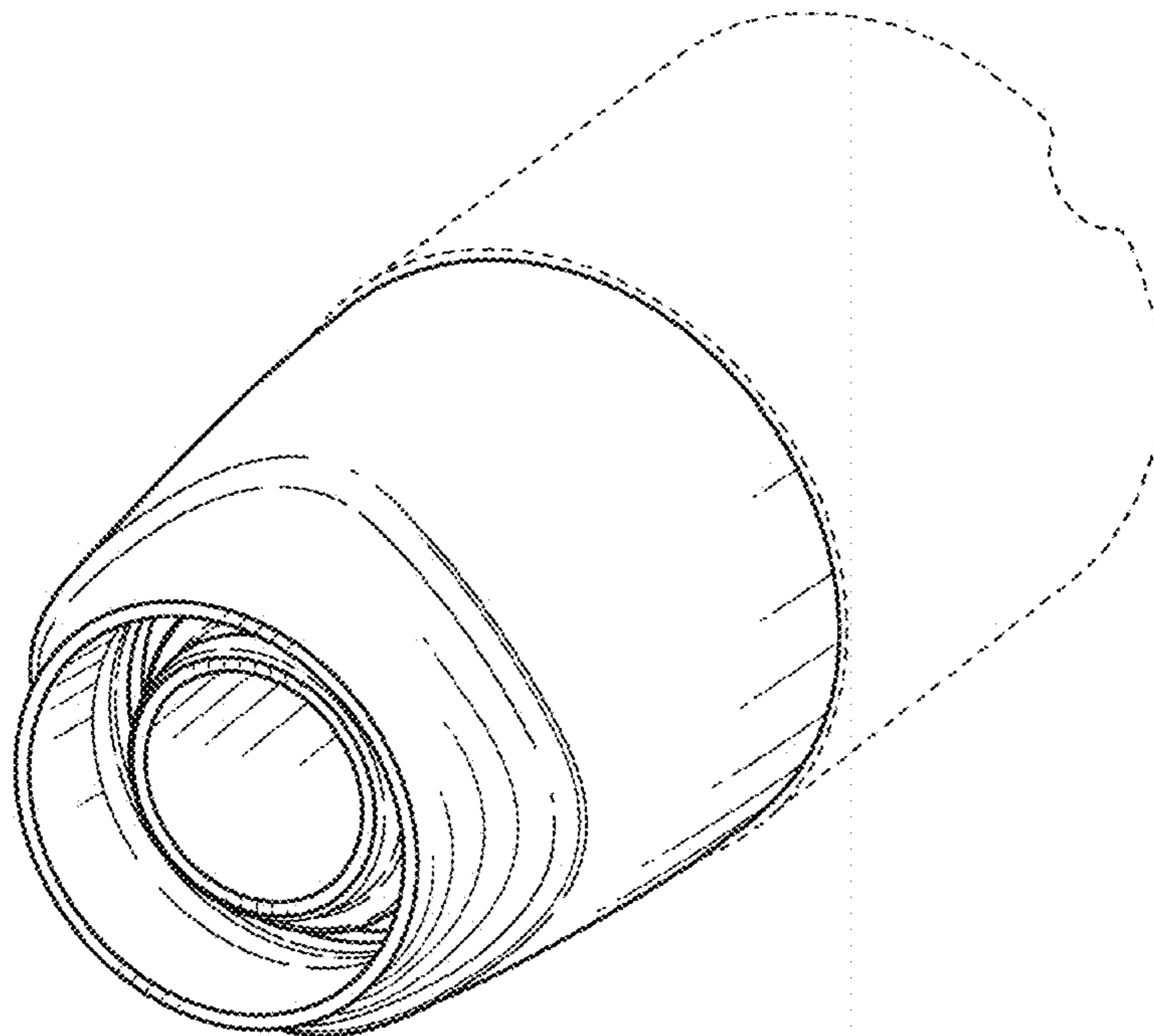


FIG. 8