



US00D910839S

(12) **United States Design Patent** (10) **Patent No.:** **US D910,839 S**  
**Letton** (45) **Date of Patent:** **\*\* Feb. 16, 2021**

(54) **HUMIDIFICATION CHAMBER SEAL** 7,722,016 B2 \* 5/2010 Bradley ..... A61M 16/167  
261/70  
(71) Applicant: **Fisher & Paykel Healthcare Limited,** 7,975,688 B1 \* 7/2011 Truitt ..... A61M 16/10  
Auckland (NZ) 128/200.24  
(72) Inventor: **Andrew Martin Letton,** Auckland D643,114 S \* 8/2011 Virr ..... D24/110  
(NZ) D644,320 S \* 8/2011 Virr ..... D24/110  
8,092,414 B2 \* 1/2012 Schnell ..... A61M 1/3639  
D694,882 S \* 12/2013 Stark ..... D24/131  
D699,843 S \* 2/2014 Stark ..... D24/131  
(73) Assignee: **FISHER & PAYKEL HEALTHCARE** D794,783 S \* 8/2017 Waimberk ..... D24/131  
**LIMITED,** Auckland (NZ)  
(Continued)

(\*\*) Term: **15 Years**  
(21) Appl. No.: **29/732,003**  
(22) Filed: **Apr. 20, 2020**

**Related U.S. Application Data**

(63) Continuation of application No. 29/670,348, filed on Nov. 15, 2018, now Pat. No. Des. 884,882, which is a continuation of application No. 29/624,513, filed on Nov. 1, 2017, now Pat. No. Des. 838,364.  
(51) **LOC (13) Cl.** ..... **24-02**  
(52) **U.S. Cl.**  
USPC ..... **D24/127**  
(58) **Field of Classification Search**  
USPC ..... D24/127-131, 110, 110.5, 186;  
128/200.24, 207.14, 207.15, 203.12  
CPC . A61M 16/16; A61M 16/0066; A61M 16/109  
See application file for complete search history.

**References Cited**

**U.S. PATENT DOCUMENTS**

4,369,777 A \* 1/1983 Lwoff ..... A61M 16/108  
128/200.16  
D485,906 S \* 1/2004 Danssaert ..... D24/131  
7,617,823 B2 \* 11/2009 DiMatteo ..... A61M 16/0066  
128/204.18

*Primary Examiner* — David G Muller  
(74) *Attorney, Agent, or Firm* — Knobbe, Martens, Olson & Bear, LLP

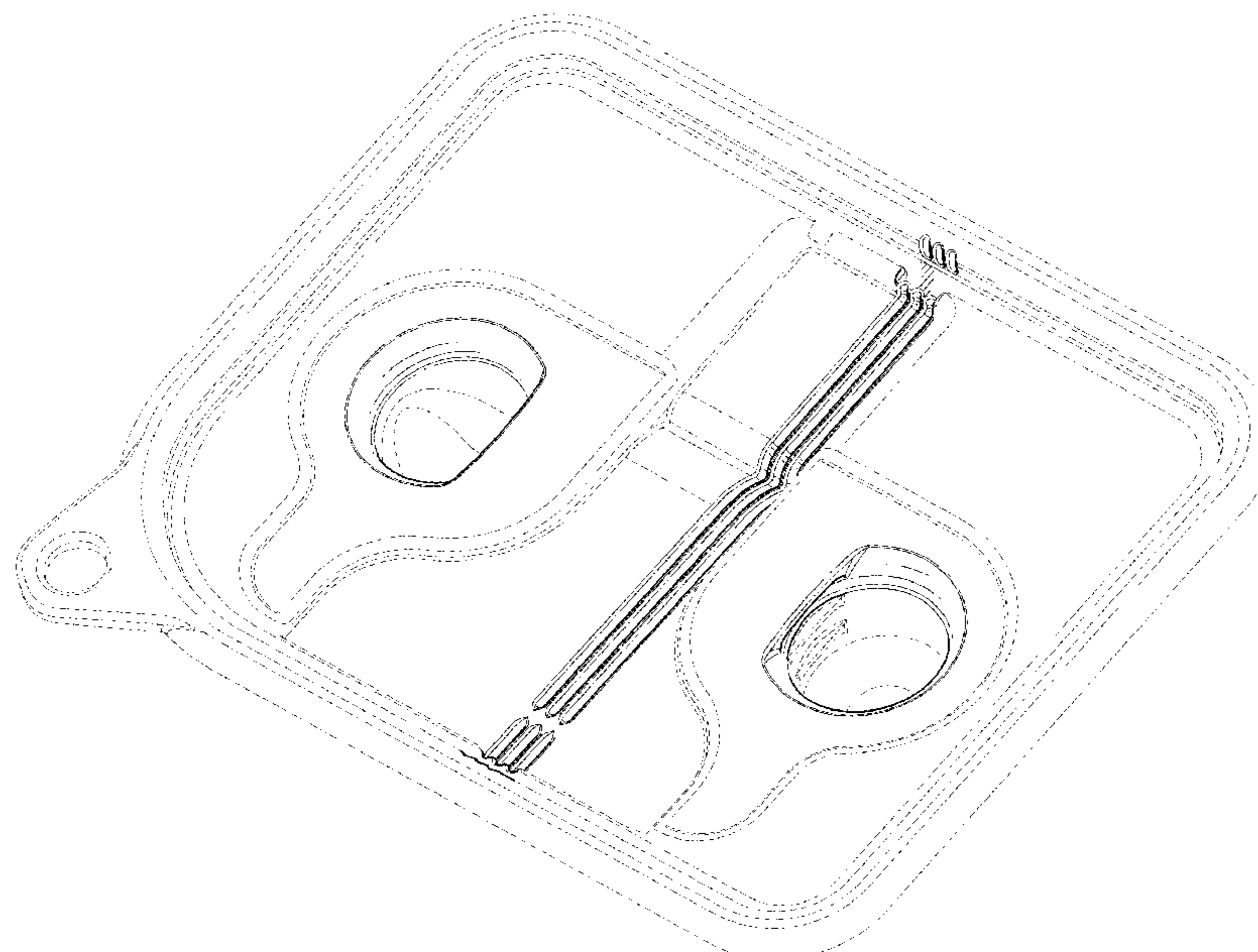
(57) **CLAIM**

The ornamental design for a humidification chamber seal, as shown and described.

**DESCRIPTION**

FIG. 1 shows a bottom, front, and side perspective view of a humidification chamber seal embodying our design, with portions shown in dashed lines and not forming part of the claimed design;  
FIG. 2 shows a top, front, and side perspective view thereof;  
FIG. 3 shows a bottom view thereof;  
FIG. 4 shows a top view thereof;  
FIG. 5 shows a front view thereof;  
FIG. 6 shows a rear view thereof;  
FIG. 7 shows a side view thereof;  
FIG. 8 shows another side view thereof;  
FIG. 9 is a cross-sectional view thereof taken along the 9-9 line of FIG. 3; and,  
FIG. 10 is a cross-sectional view thereof taken along the 10-10 line of FIG. 3.  
Broken lines are used to illustrate portions of the humidification chamber seal that form no part of the claimed design.

**1 Claim, 7 Drawing Sheets**



(56)

**References Cited**

U.S. PATENT DOCUMENTS

D804,664 S \* 12/2017 Waimberk ..... D24/131  
10,004,871 B2 \* 6/2018 Kat ..... A61M 16/0066

\* cited by examiner

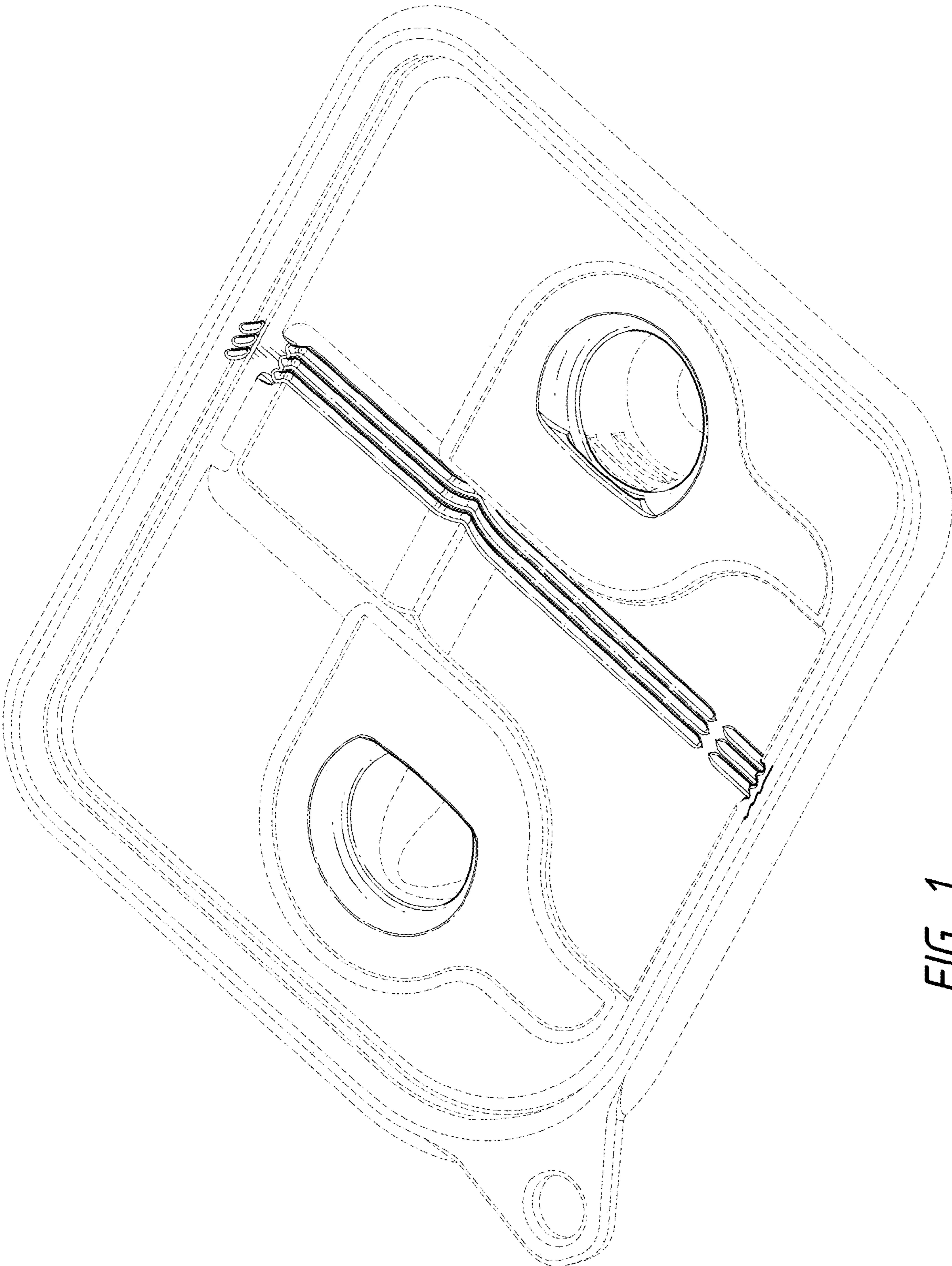


FIG. 1

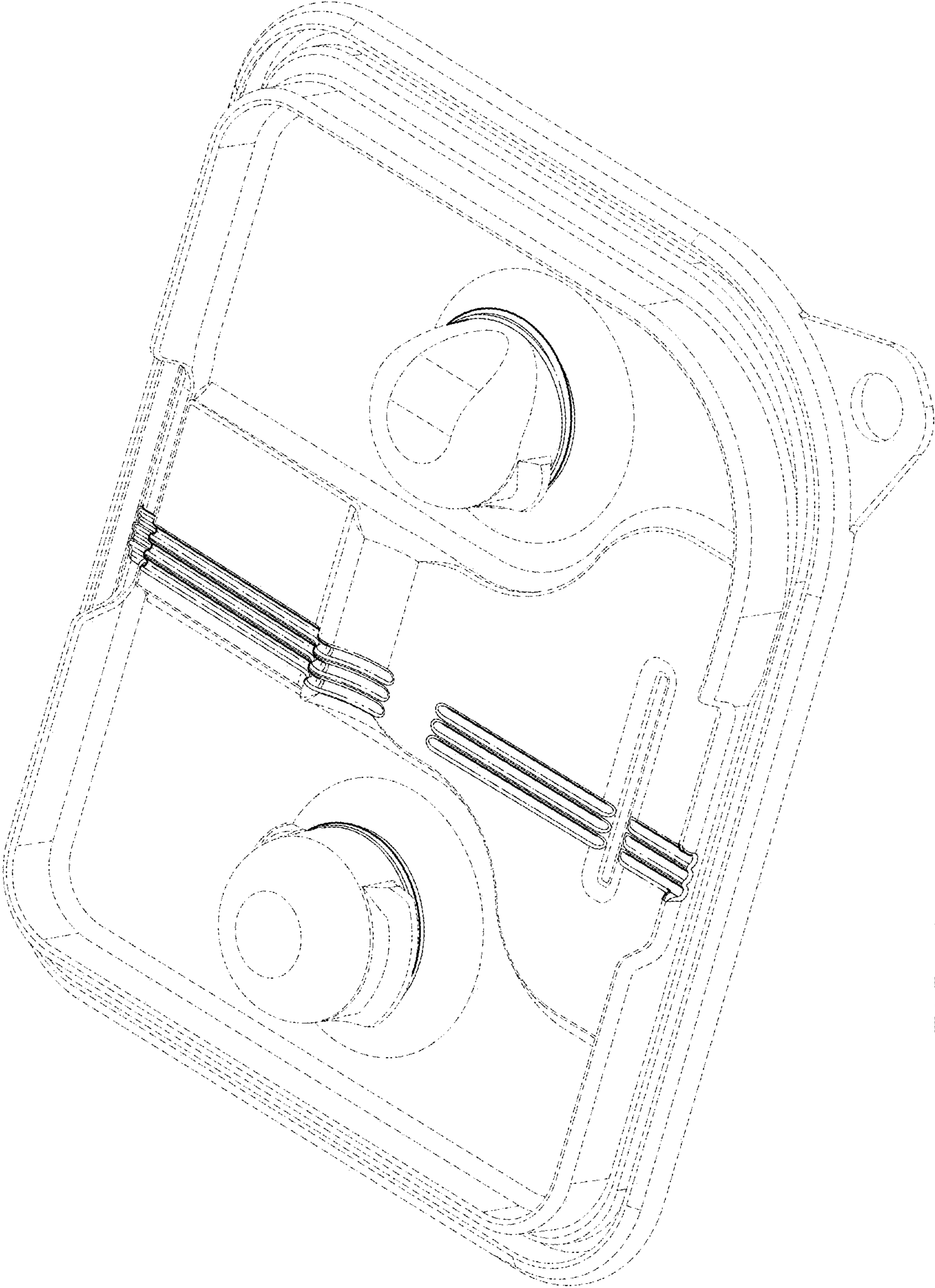
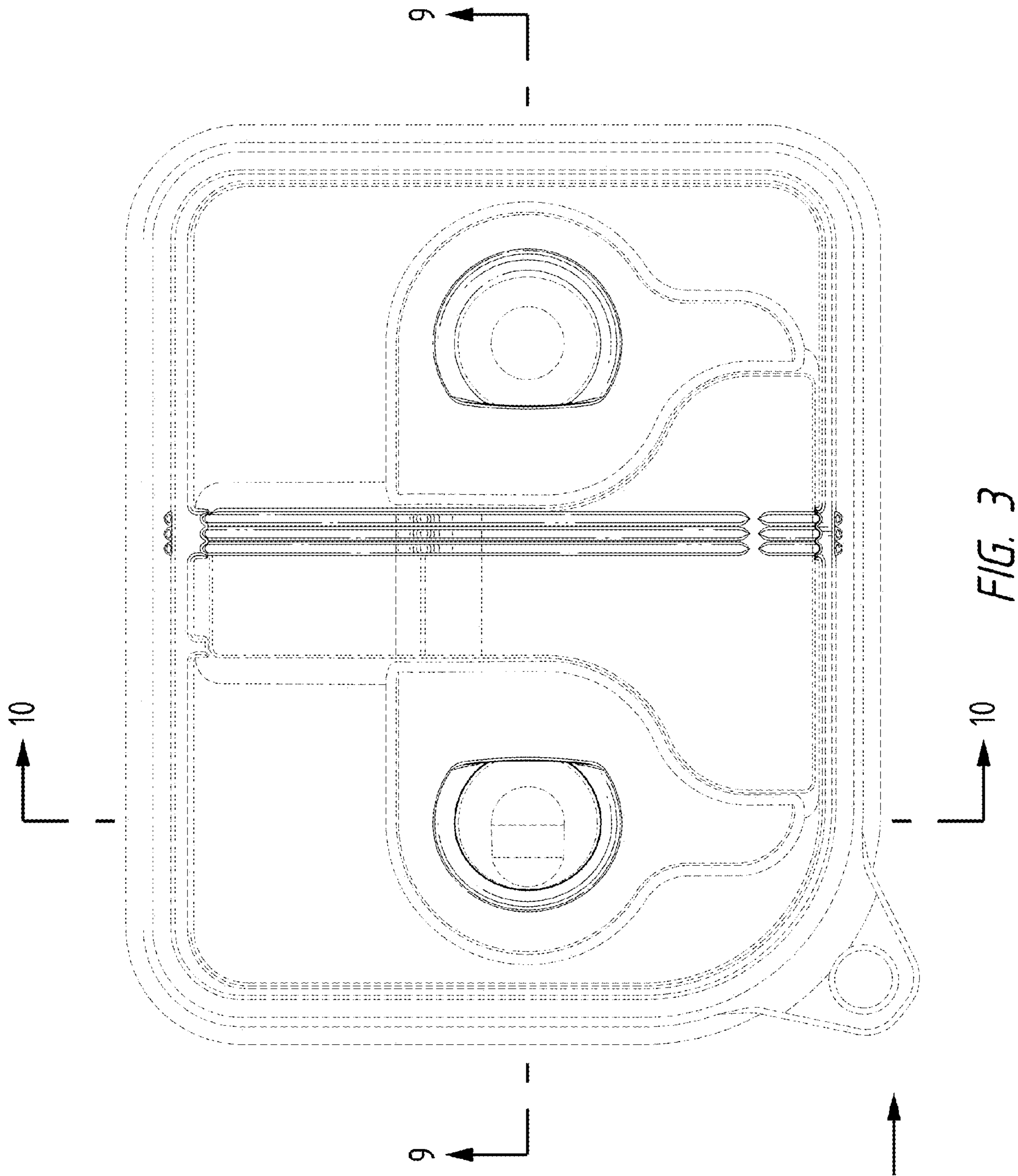


FIG. 2



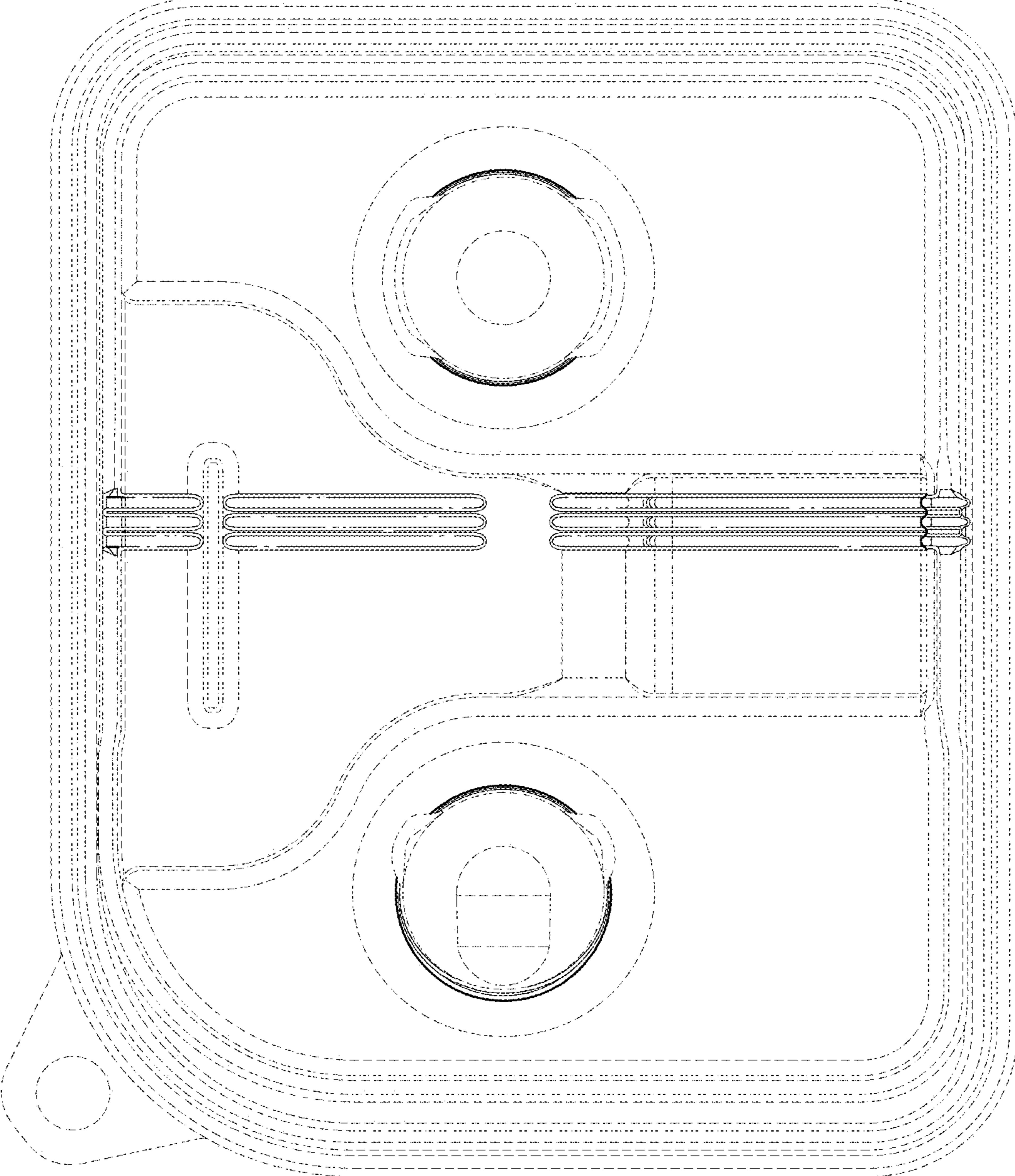


FIG. 4

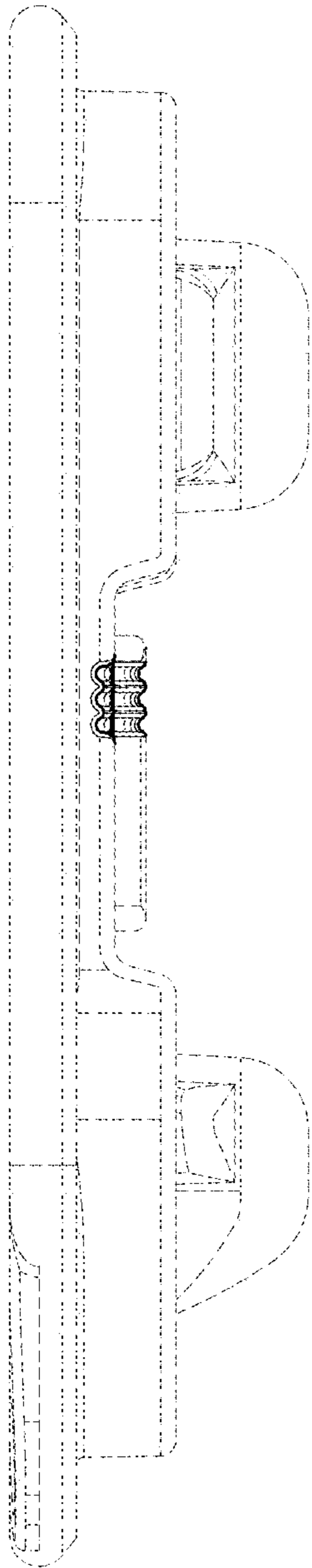


FIG. 5

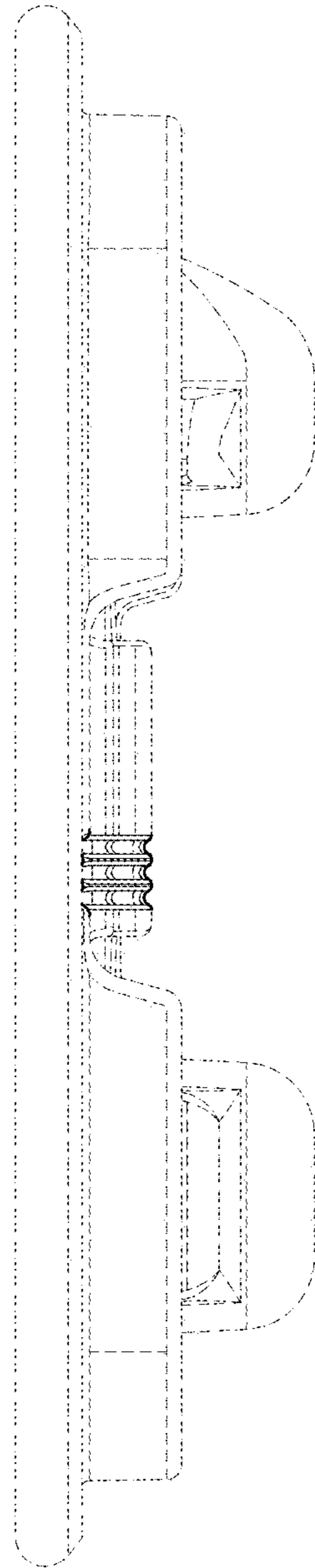


FIG. 6

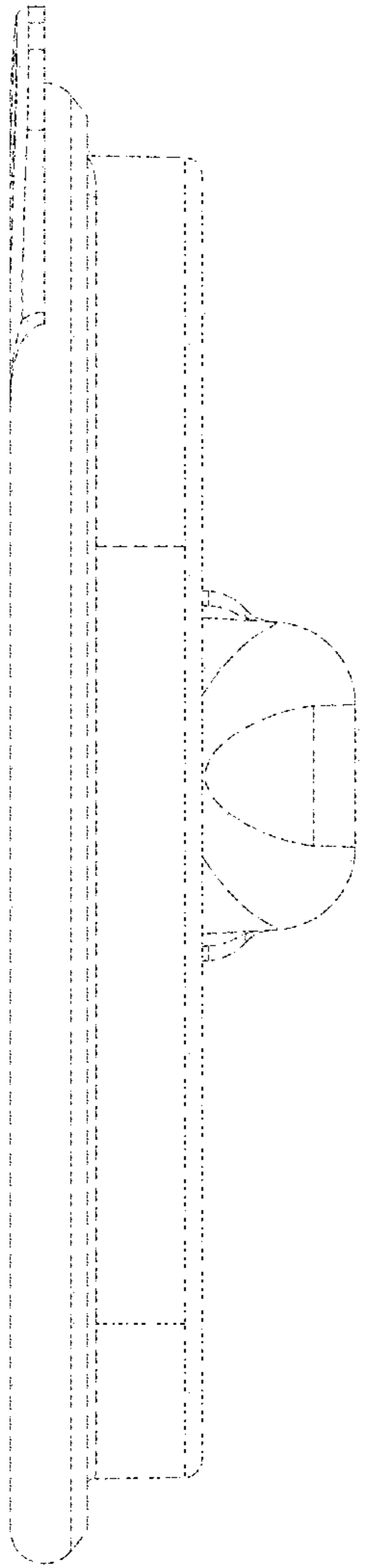


FIG. 7



FIG. 8



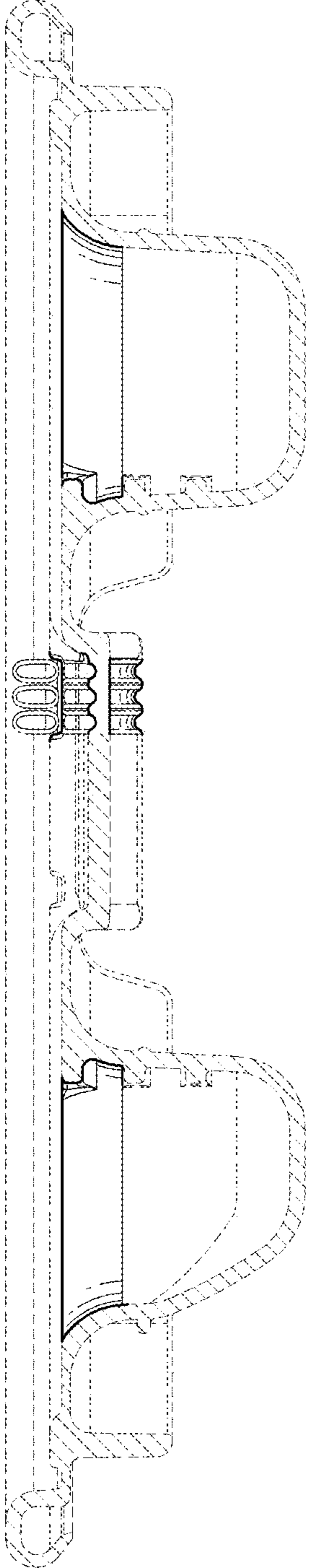


FIG. 9

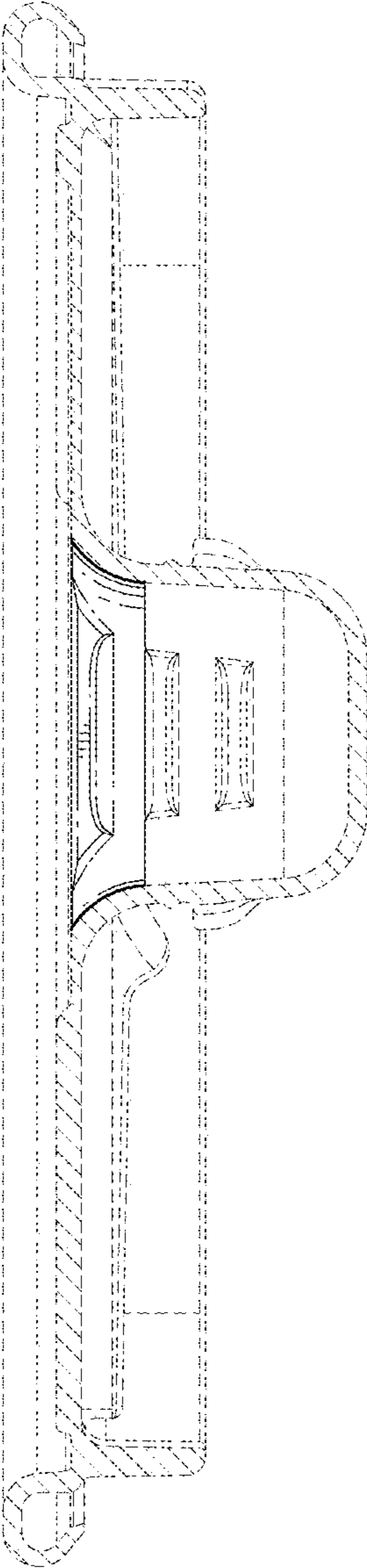


FIG. 10