



US00D910834S

(12) **United States Design Patent** (10) **Patent No.:** **US D910,834 S**  
**Wang et al.** (45) **Date of Patent:** **\*\* Feb. 16, 2021**

(54) **IMPELLER FOR A FAN**  
(71) Applicant: **ASIA VITAL COMPONENTS CO., LTD.**, New Taipei (TW)  
(72) Inventors: **Chung-Shu Wang**, New Taipei (TW); **Yu-Tzu Chen**, New Taipei (TW)  
(73) Assignee: **ASIA VITAL COMPONENTS CO., LTD.**, New Taipei (TW)

D561,888 S \* 2/2008 Yang ..... D23/379  
D565,171 S \* 3/2008 Lin ..... D23/413  
D566,263 S \* 4/2008 Parker ..... D23/411  
D566,829 S \* 4/2008 Parker ..... D23/411  
D571,000 S \* 6/2008 Bei ..... D23/413  
D585,130 S \* 1/2009 Harman ..... D23/413  
D600,340 S \* 9/2009 Parker ..... D23/413  
7,815,418 B2 \* 10/2010 Suzuki ..... F04D 29/384  
415/222  
D626,643 S \* 11/2010 Situ ..... D23/379  
(Continued)

(\*\*) Term: **15 Years**

**OTHER PUBLICATIONS**

(21) Appl. No.: **29/672,369**  
(22) Filed: **Dec. 5, 2018**  
(51) **LOC (13) Cl.** ..... **23-03**  
(52) **U.S. Cl.**  
USPC ..... **D23/413; D23/379**  
(58) **Field of Classification Search**  
USPC ..... D23/336, 341, 342, 354, 370-379, 411,  
D23/413, 499; D21/430, 436, 442, 447,  
D21/450, 453, 458; D24/110; D13/179;  
D12/214  
CPC .... F04D 29/322; F04D 29/324; F04D 29/325;  
F04D 29/329; F04D 29/34; F04D 29/38;  
F04D 29/384; F05B 2250/182; F01D  
5/00; F01D 5/12; F01D 5/141  
See application file for complete search history.

Impellers and fan blades. (Design—© Questel) orbit.com. [online PDF] 53 pgs. Print Dates range from Feb. 18, 2004 through Oct. 11, 2019. [retrieved Jul. 10, 2020] Fan <https://www.orbit.com/export/QPTUJ214/pdf2/feb30a04-a8b3-477f-acf5-82d5d121ffa2-210453.pdf>.\*

*Primary Examiner* — Marie D. Fast Horse  
(74) *Attorney, Agent, or Firm* — Demian K. Jackson;  
Jackson IPG PLLC

(56) **References Cited**

**U.S. PATENT DOCUMENTS**

D231,355 S \* 4/1974 Papst ..... D23/377  
D297,761 S \* 9/1988 Shiraki ..... D23/379  
D324,201 S \* 2/1992 Hannon ..... D23/379  
D324,363 S \* 3/1992 Hannon ..... D23/379  
D419,669 S \* 1/2000 Shinshi ..... D23/411  
D507,641 S \* 7/2005 Chiu ..... D23/379  
D508,560 S \* 8/2005 Chiu ..... D23/379  
7,182,572 B2 \* 2/2007 Yang ..... F04D 29/325  
415/175  
D558,324 S \* 12/2007 Hong ..... D23/379  
D560,789 S \* 1/2008 Lee ..... D23/379

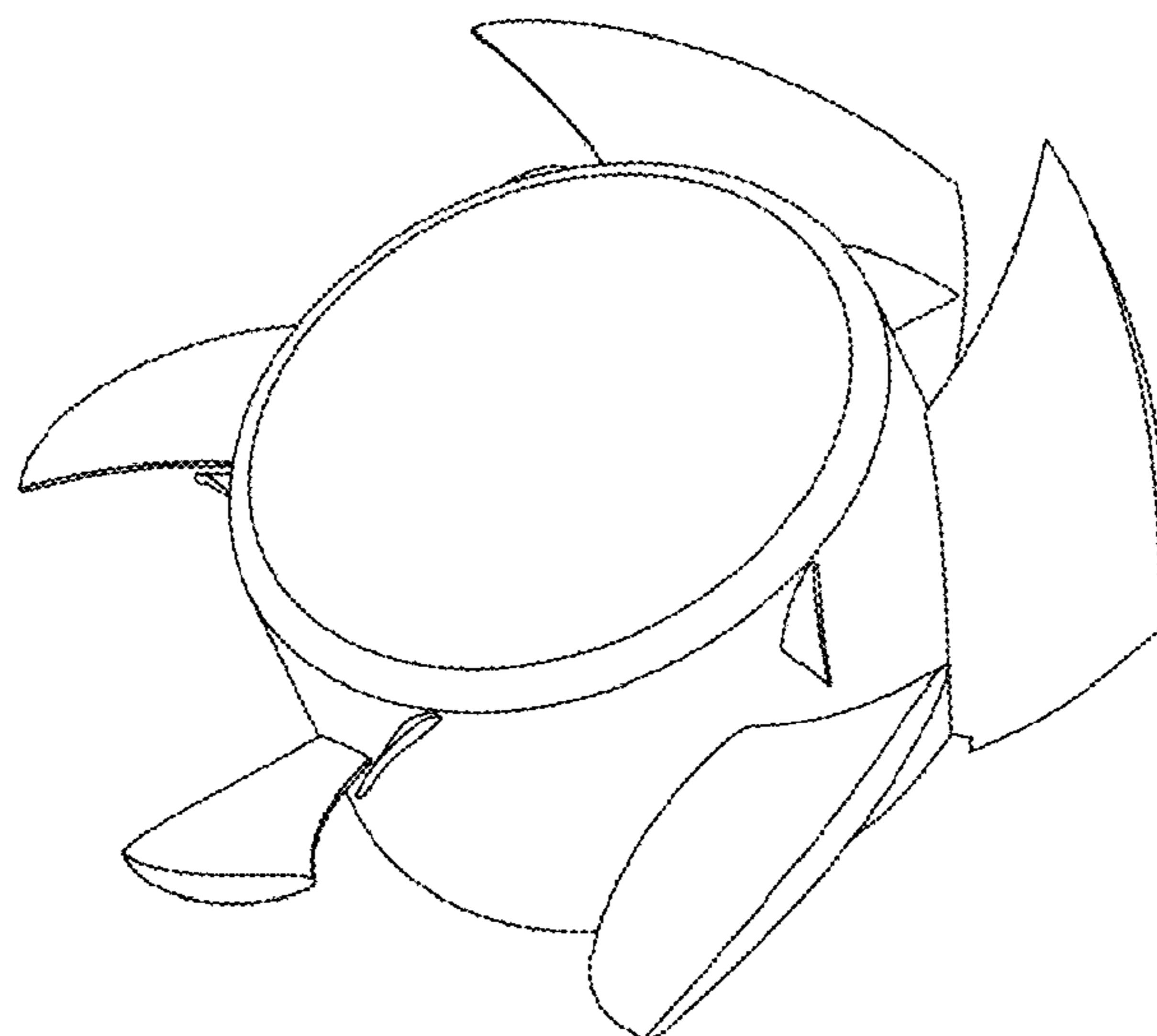
(57) **CLAIM**

The ornamental design for an impeller for a fan, as shown and described.

**DESCRIPTION**

FIG. 1 is a perspective view of an impeller for a fan showing our new design;  
FIG. 2 is a front view thereof;  
FIG. 3 is a rear view thereof;  
FIG. 4 is a left view thereof;  
FIG. 5 is a right view thereof;  
FIG. 6 is a top plan view thereof; and,  
FIG. 7 is a bottom plan view thereof.  
The broken lines in FIG. 7 depict parts of the impeller for a fan that form no part of the claim. The surfaces shown between the solid lines and the broken lines in FIG. 7 form no part of the claimed design.

**1 Claim, 7 Drawing Sheets**



(56)

References Cited

U.S. PATENT DOCUMENTS

D663,689 S \* 7/2012 Lee ..... D13/115  
 D668,606 S \* 10/2012 Lee ..... D13/115  
 D681,690 S \* 5/2013 Xia ..... D15/29  
 D688,783 S \* 8/2013 DeFilippis ..... D23/379  
 D725,257 S \* 3/2015 Huang ..... D23/379  
 D727,490 S \* 4/2015 Hatz ..... D23/413  
 D750,211 S \* 2/2016 Arai ..... D23/379  
 D755,946 S \* 5/2016 Arai ..... D23/379  
 D755,947 S \* 5/2016 Arai ..... D23/379  
 D799,658 S \* 10/2017 Seo ..... D23/370  
 D804,647 S \* 12/2017 Chang ..... D23/413  
 D806,225 S \* 12/2017 Chang ..... D23/379  
 D808,003 S \* 1/2018 Gebert ..... D23/379  
 9,903,206 B2 \* 2/2018 Yu ..... F01D 5/141  
 10,208,770 B2 \* 2/2019 Arai ..... F04D 29/384  
 D854,143 S \* 7/2019 Yu ..... D23/413  
 D858,737 S \* 9/2019 Tadokoro ..... D23/379  
 10,428,830 B2 \* 10/2019 Lee ..... F04D 29/384  
 10,527,058 B2 \* 1/2020 Kim ..... F04D 29/325  
 10,544,797 B2 \* 1/2020 Kumon ..... F04D 25/08  
 2006/0039789 A1 \* 2/2006 Li ..... F04D 29/329  
 416/220 R  
 2007/0160478 A1 \* 7/2007 Jarrah ..... F04D 29/38  
 416/223 R  
 2008/0101933 A1 \* 5/2008 Chen ..... F04D 29/384  
 416/133

2008/0159867 A1 \* 7/2008 Yang ..... F04D 29/023  
 416/203  
 2010/0272573 A1 \* 10/2010 Bessho ..... B29C 45/0005  
 416/223 R  
 2011/0123340 A1 \* 5/2011 Ou ..... F04D 29/329  
 416/213 R  
 2013/0202443 A1 \* 8/2013 Tzeng ..... F01D 5/34  
 416/223 R  
 2014/0147282 A1 \* 5/2014 Hu ..... F04D 29/384  
 416/189  
 2015/0152879 A1 \* 6/2015 Tzeng ..... F04D 29/384  
 416/203  
 2015/0204345 A1 \* 7/2015 Kono ..... F04D 29/325  
 415/177  
 2015/0330223 A1 \* 11/2015 Choi ..... F04D 29/384  
 416/204 R  
 2017/0067486 A1 \* 3/2017 Cho ..... F04D 29/023  
 2017/0167508 A1 \* 6/2017 Chang ..... F04D 29/384  
 2018/0135645 A1 \* 5/2018 Chen ..... F04D 29/384  
 2018/0252222 A1 \* 9/2018 Yamasaki ..... F04D 25/08  
 2019/0040873 A1 \* 2/2019 Tadokoro ..... F04D 29/384  
 2019/0234419 A1 \* 8/2019 Dygert ..... A47F 3/0447  
 2019/0264708 A1 \* 8/2019 Chang ..... F04D 25/0613  
 2019/0316599 A1 \* 10/2019 Iwata ..... F04D 29/38  
 2020/0116159 A1 \* 4/2020 Yang ..... F04D 29/384  
 2020/0158129 A1 \* 5/2020 Iwata ..... F04D 29/386  
 2020/0173284 A1 \* 6/2020 Gauss ..... F01D 5/04

\* cited by examiner

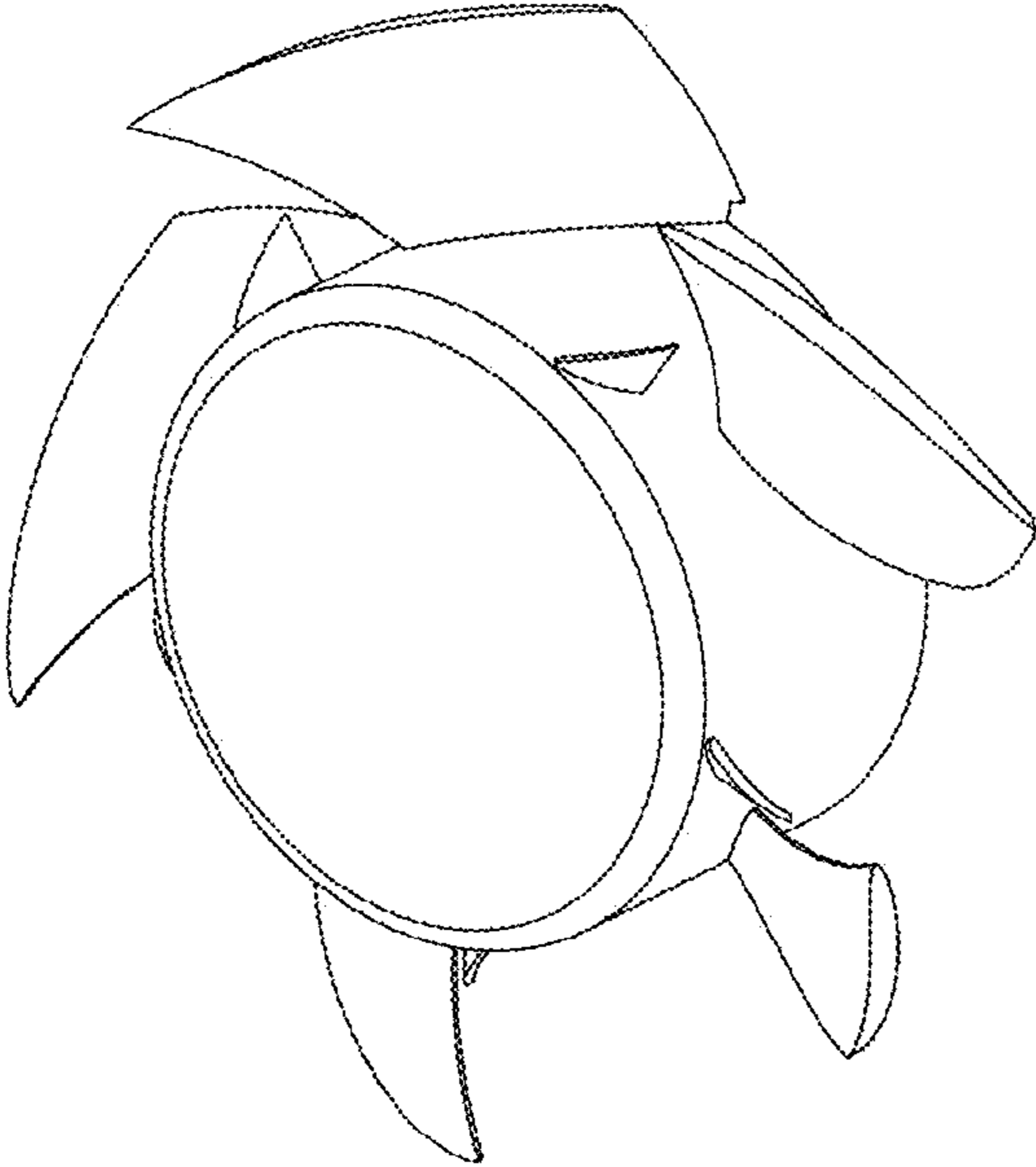


Fig. 1

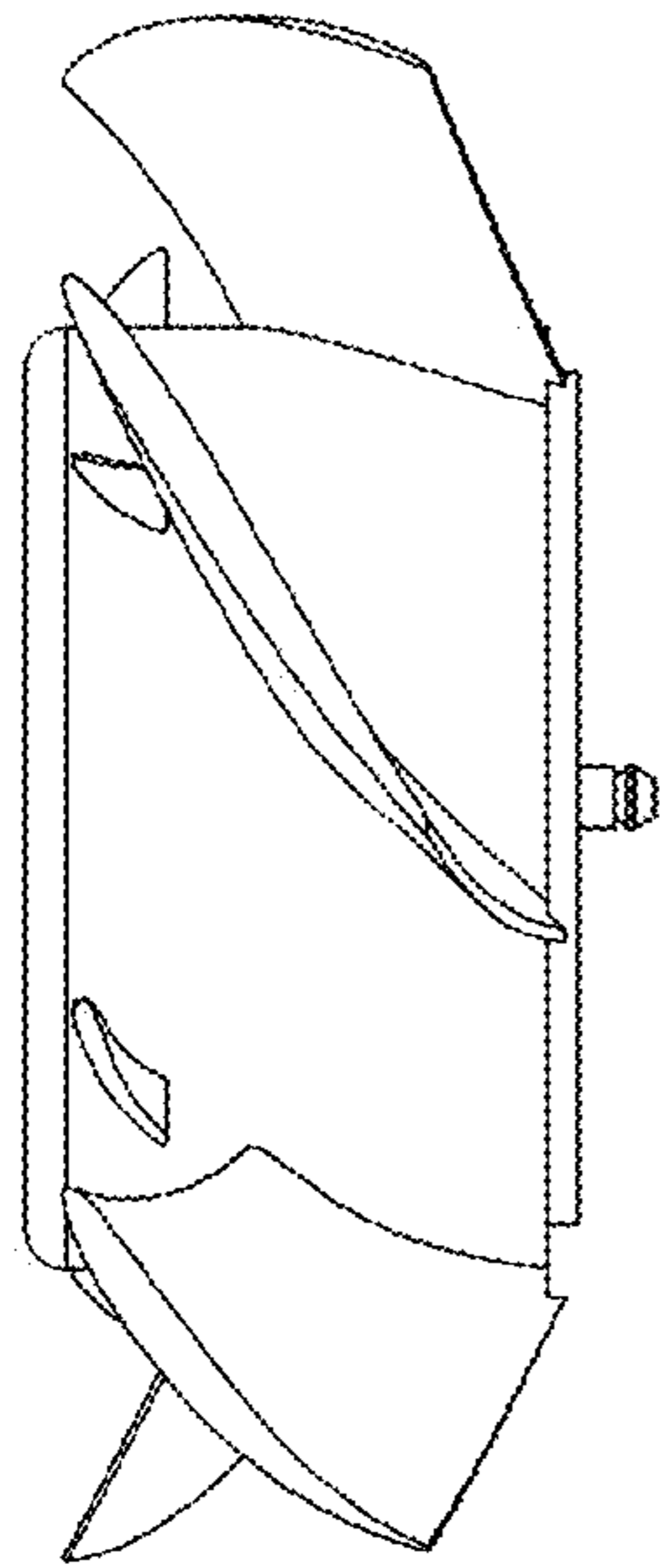


Fig. 2

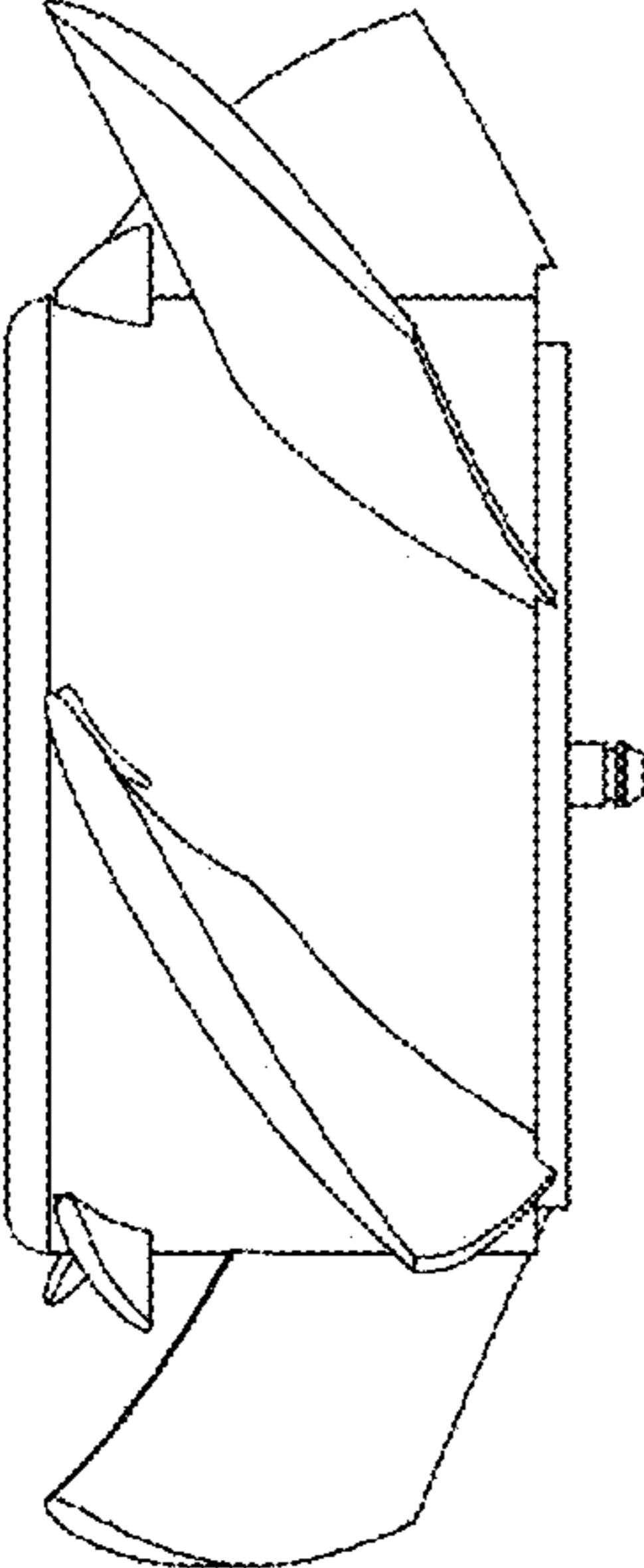


Fig. 3

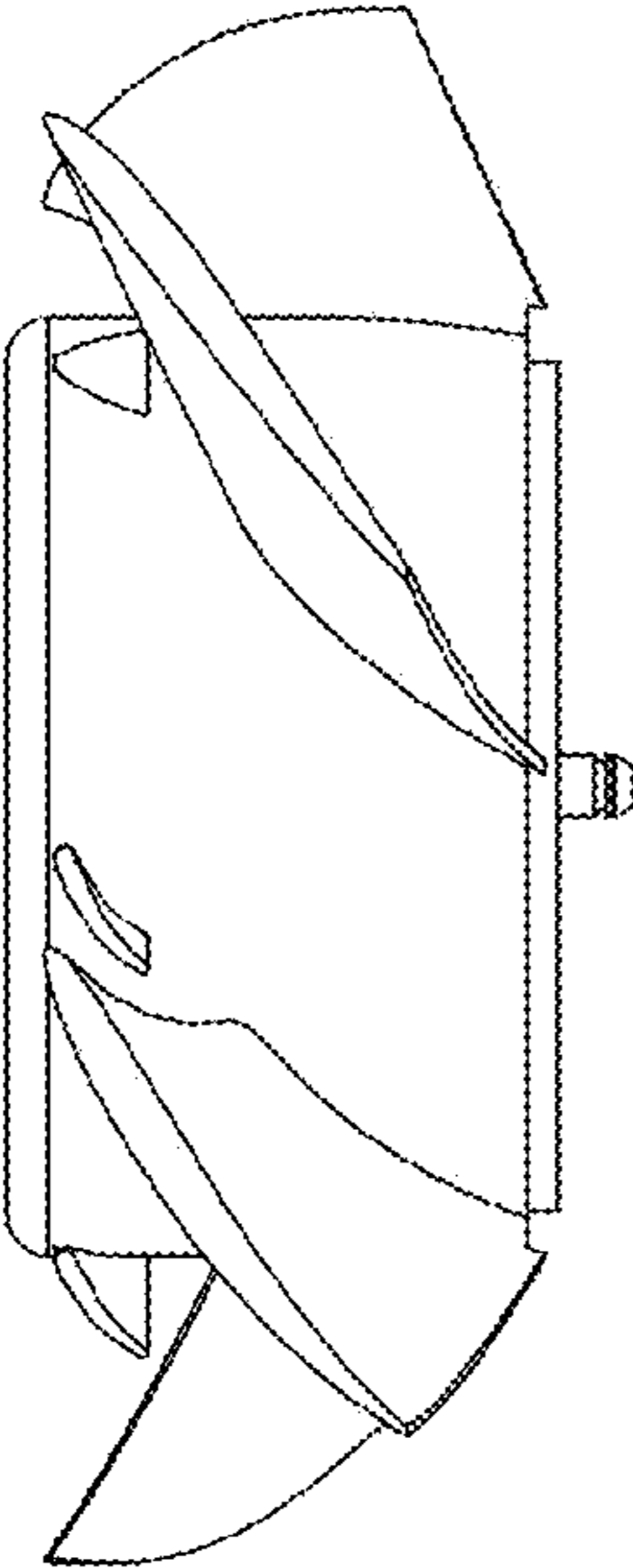


Fig. 4

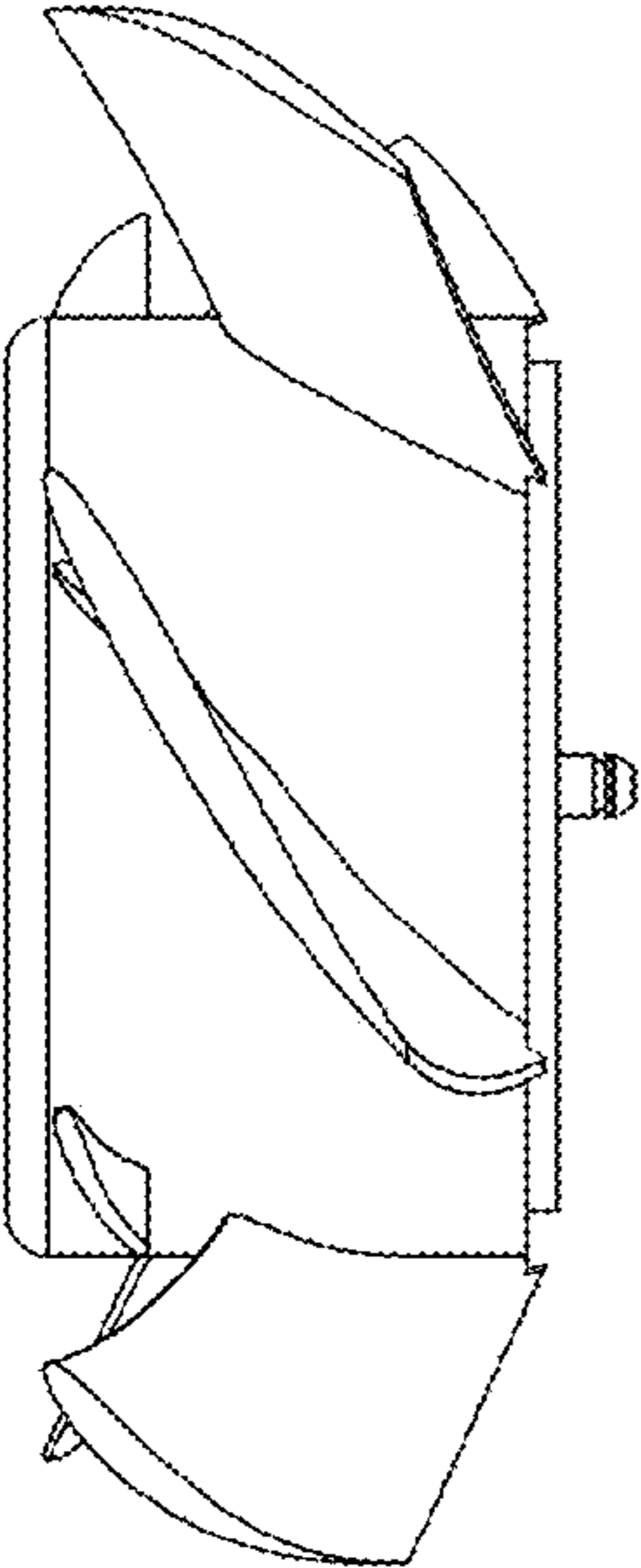


Fig. 5

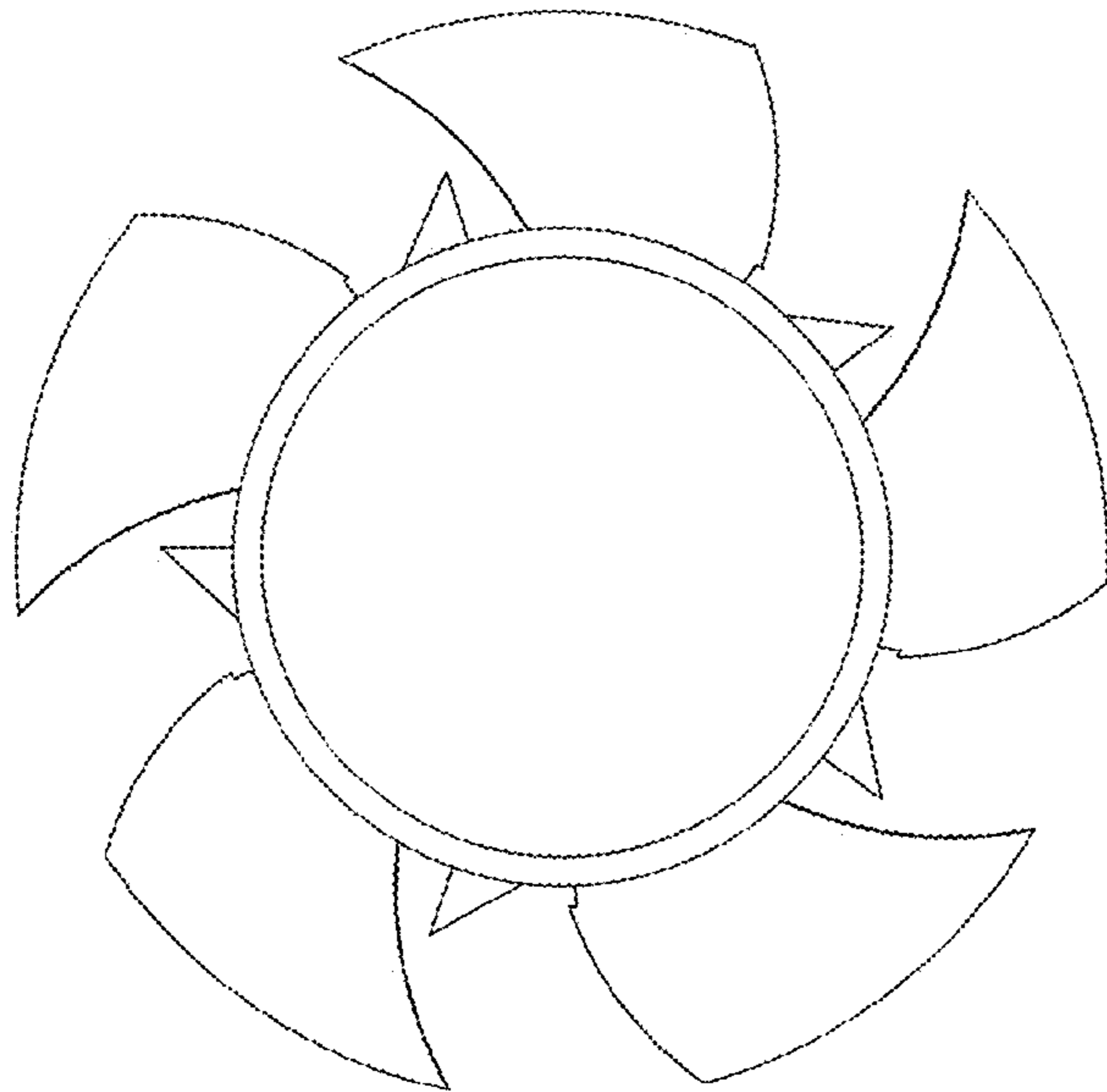


Fig. 6



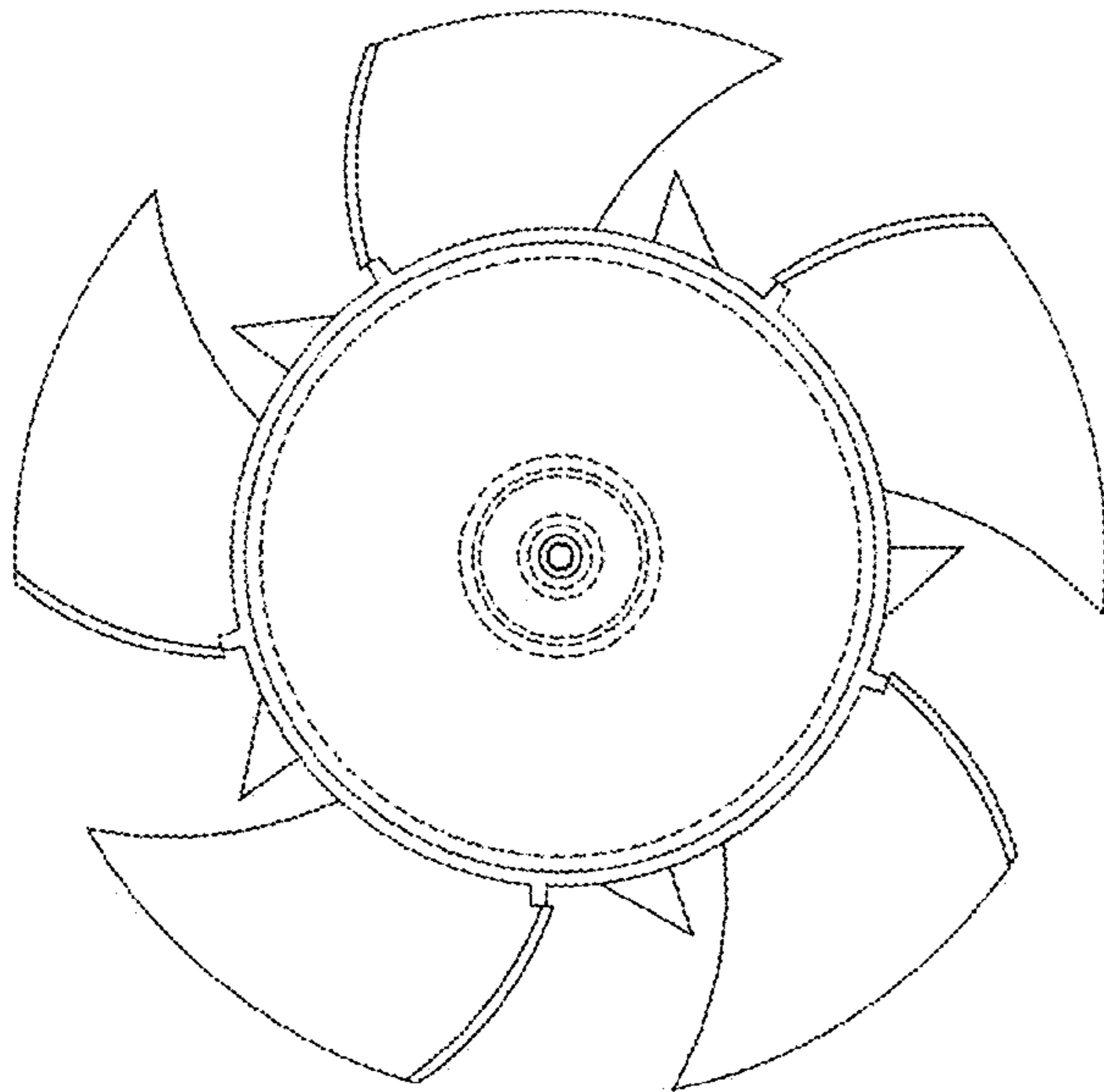


Fig. 7