



US00D910831S

(12) **United States Design Patent** (10) **Patent No.:** **US D910,831 S**
Nardella (45) **Date of Patent:** **** *Feb. 16, 2021**

(54) **KILN BRICK PROTECTIVE COLLAR WITH ADJUSTABLE TABS**

(71) Applicant: **Anthony Nardella**, Medford, MA (US)

(72) Inventor: **Anthony Nardella**, Medford, MA (US)

(*) Notice: This patent is subject to a terminal disclaimer.

(**) Term: **15 Years**

(21) Appl. No.: **29/740,822**

(22) Filed: **Jul. 7, 2020**

Related U.S. Application Data

(63) Continuation-in-part of application No. 29/688,749, filed on Apr. 24, 2019, now Pat. No. Des. 889,628, and a continuation-in-part of application No. 29/688,747, filed on Apr. 24, 2019, now Pat. No. Des. 892,297, and a continuation-in-part of application No. 29/688,750, filed on Apr. 24, 2019, now Pat. No. Des. 889,629.

(51) **LOC (13) Cl.** **23-01**

(52) **U.S. Cl.**
USPC **D23/386**

(58) **Field of Classification Search**
USPC D23/393, 413, 351, 386; D24/128, 207; D17/20; D12/223, 196, 163, 159; D26/138; D9/707; D8/354, 499, 16; D6/682; D14/452
CPC . F27D 1/00; F27D 1/18; F27D 1/0003; F27B 17/0019; F27B 17/0041; F27B 7/28; F23D 14/76; F23D 14/78; B01J 7/00; B01J 19/26; C10J 3/74; C10J 3/506; C21C 5/44
See application file for complete search history.

(56) **References Cited**

U.S. PATENT DOCUMENTS

1,953,856 A * 4/1934 Heyman F27B 7/28 432/116
3,246,442 A * 4/1966 Sauer F27B 7/28 52/747.13
4,295,825 A 10/1981 Chielens et al.

(Continued)

FOREIGN PATENT DOCUMENTS

CN 303289956 * 11/2014
CN 303289956 7/2015

OTHER PUBLICATIONS

Vulcan Crucible Kiln, announced Date unavailable[online], [site visited May 1, 2020]. Available from internet, URL:<https://www.artisansupplies.com.au/product/vulcan-crucible-kiln/> (Year: 2020).*

(Continued)

Primary Examiner — Barbara Fox

Assistant Examiner — Jamaal Rasheed

(74) *Attorney, Agent, or Firm* — Thomas P. O'connell; O'Connell Law Firm

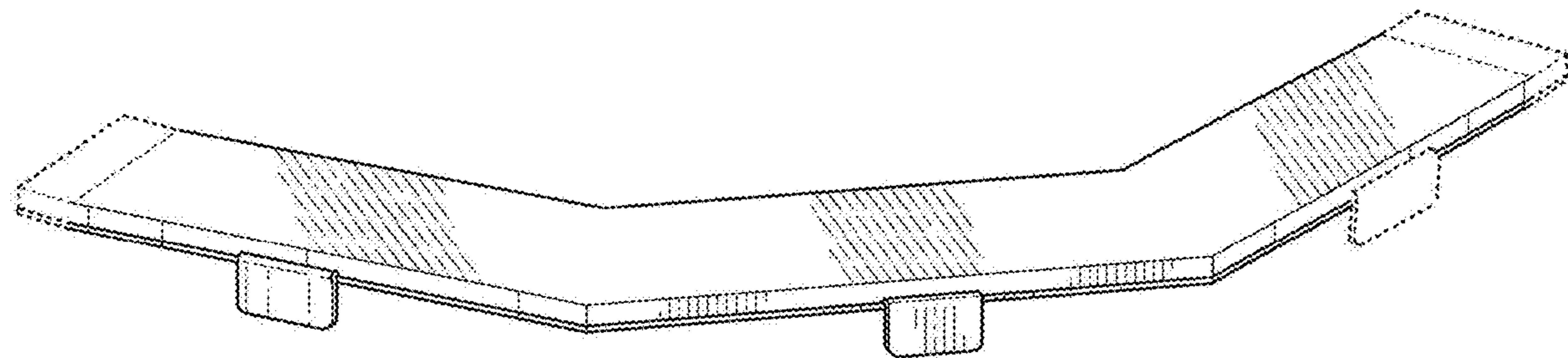
(57) **CLAIM**

The ornamental design for a kiln brick protective collar with adjustable tabs, as shown and described.

DESCRIPTION

FIG. 1 is a perspective view of a kiln brick protective collar with adjustable tabs showing my design; FIG. 2 is a top plan view thereof; FIG. 3 is a bottom plan view thereof; FIG. 4 is a front elevation view thereof; FIG. 5 is a rear elevation view thereof; FIG. 6 is a right side elevation view thereof; FIG. 7 is a left side elevation view thereof; and, FIG. 8 is an exploded view thereof. The broken lines in the drawings depict portions of the kiln brick protective collar with adjustable tabs that form no part of the claimed design.

1 Claim, 4 Drawing Sheets



(56)

References Cited

U.S. PATENT DOCUMENTS

4,370,128 A 1/1983 Chielens et al.
 D307,946 S * 5/1990 Snow D26/138
 D325,089 S * 3/1992 Shaw D24/206
 5,193,998 A 3/1993 Hack et al.
 D341,529 S * 11/1993 Jacobs D25/119
 D353,892 S * 12/1994 Shaw D24/206
 5,477,029 A 12/1995 Skull et al.
 5,734,149 A 3/1998 Skutt et al.
 D397,667 S * 9/1998 White D12/223
 5,910,006 A 6/1999 Conroy et al.
 6,228,224 B1 * 5/2001 Brooker B01J 19/26
 202/224
 6,805,773 B1 10/2004 Brooker
 D503,231 S * 3/2005 Daugherty D24/128
 D508,516 S * 8/2005 Boone D17/20
 7,458,809 B2 12/2008 Hohenshelt et al.
 D635,064 S * 3/2011 Schachte D12/159
 D636,927 S * 4/2011 Lin D26/138
 D672,287 S * 12/2012 Noble D12/159
 D685,253 S * 7/2013 Hiebert D8/354
 8,523,563 B1 * 9/2013 Nardella F27B 17/0016
 432/237
 D713,765 S * 9/2014 Peltola D12/163

D714,134 S * 9/2014 Clisset D8/499
 D727,819 S * 4/2015 Hopkins D12/196
 D733,285 S * 6/2015 Ertel D23/393
 D736,062 S * 8/2015 Ertel D8/354
 D749,342 S * 2/2016 Escandon D6/682
 D769,175 S * 10/2016 Aragon, Jr. D12/223
 D786,419 S * 5/2017 Rindoks D23/386
 D787,949 S * 5/2017 Andochick D9/707
 D824,993 S * 8/2018 Trifilio D17/20
 D846,320 S * 4/2019 Loy D6/682
 D847,962 S * 5/2019 Shin D23/351
 D879,941 S * 3/2020 McRoberts D23/413
 2009/0042157 A1 2/2009 Kelly
 2010/0021856 A1 1/2010 Couse et al.
 2010/0209865 A1 8/2010 Watson et al.
 2016/0146538 A1 * 5/2016 Mansur F27D 1/00
 432/252

OTHER PUBLICATIONS

Vulcan Crucible Kiln, announced Oate unavailable[onlineJ , [site visited May 2, 2020]. Available from internet, URL:<<https://www.artisansupplies.com.au/product/vulcan-crucible-kiln/>> (Year: 2020).

* cited by examiner

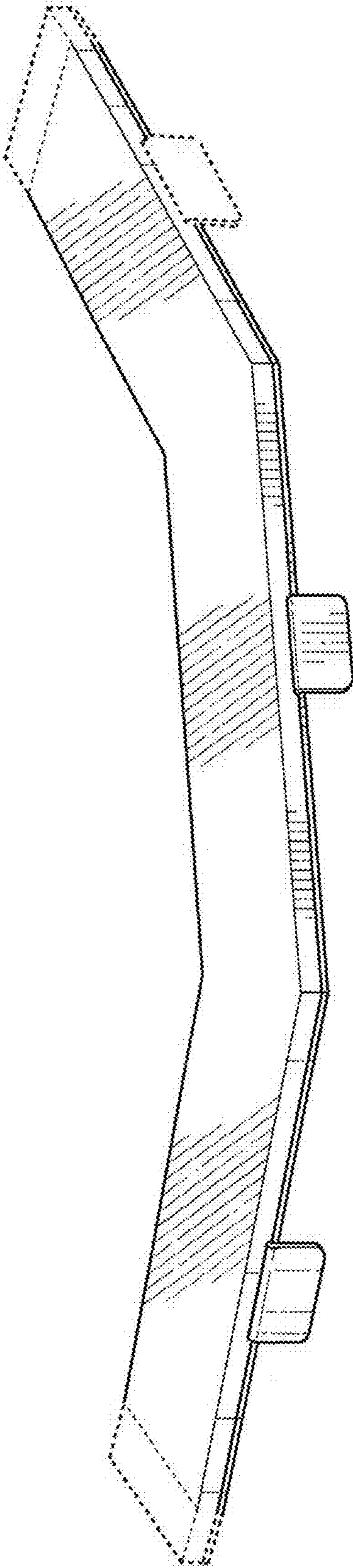


FIG. 1

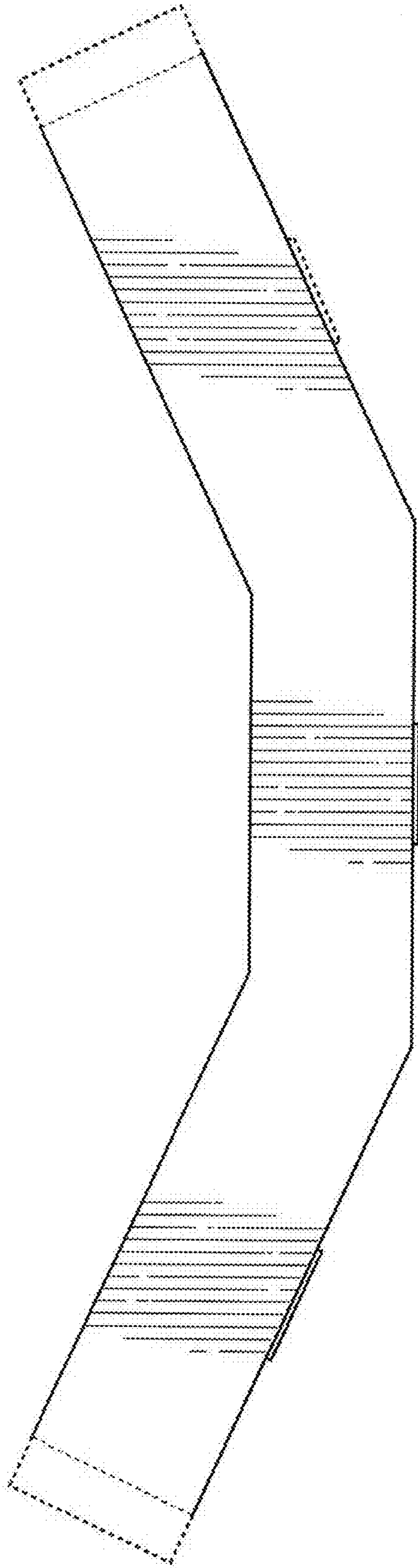


FIG. 2

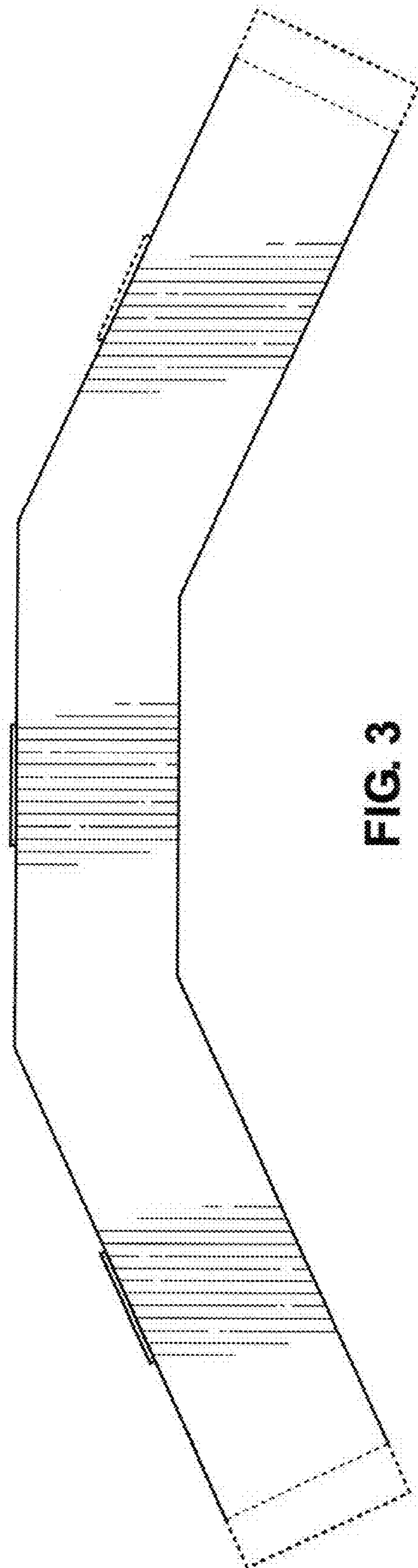


FIG. 3

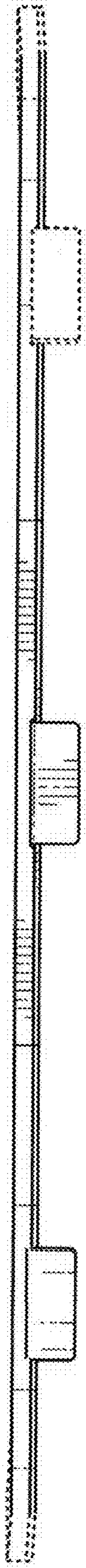


FIG. 4



FIG. 5



FIG. 6

FIG. 7

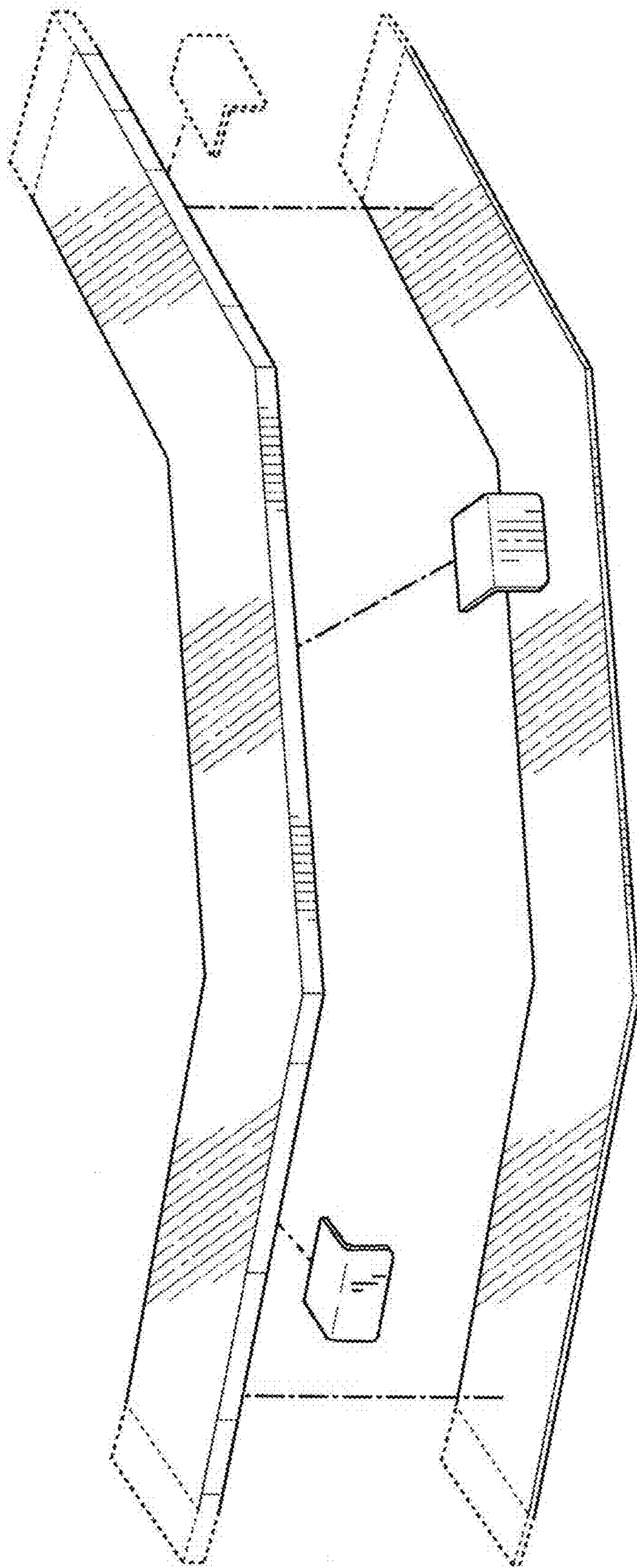


FIG. 8