



US00D910830S

(12) **United States Design Patent** (10) **Patent No.:** **US D910,830 S**
Spadaccia et al. (45) **Date of Patent:** **** Feb. 16, 2021**

(54) **FLAME DIFFUSER INSERT FOR IMMERSION TUBE FURNACE**
(71) Applicant: **SAINT-GOBAIN CERAMICS & PLASTICS, INC.**, Worcester, MA (US)

(72) Inventors: **Julio Cesar T. Spadaccia**, Windermere, FL (US); **Thomas D. Briselden**, North East, PA (US); **Jacob T. Briselden**, Worcester, MA (US); **Thomas M. Reilly**, Dudley, MA (US); **Ethan Weikleenget**, Quaker Hill, CT (US)

(73) Assignee: **SAINT-GOBAIN CERAMICS & PLASTICS, INC.**, Worcester, MA (US)

(**) Term: **15 Years**

(21) Appl. No.: **29/687,495**

(22) Filed: **Apr. 12, 2019**

(51) **LOC (13) Cl.** **23-01**

(52) **U.S. Cl.**
USPC **D23/386**

(58) **Field of Classification Search**
USPC D23/410, 404, 403, 387, 386, 375;
D32/26; 165/141, 142; D1/126, 125;
(Continued)

(56) **References Cited**

U.S. PATENT DOCUMENTS

2,248,733 A * 7/1941 Anderson E21B 10/44
175/394
2,675,257 A * 4/1954 Specht E21B 10/44
403/328

(Continued)

FOREIGN PATENT DOCUMENTS

CN 300780774 * 5/2008
CN 303542614 * 9/2015

(Continued)

OTHER PUBLICATIONS

Auger Bit, announced Dec. 24, 2019[online], [site visited May 27, 2020]. Available from internet, URL:<https://www.amazon.com/Hiltex-10245-Planting-Gardening-Projects/dp/B00HHIRM2M/ref=cm_cr_arp_d_product_top?ie=UTF8> (Year: 2019).*

(Continued)

Primary Examiner — Barbara Fox

Assistant Examiner — Jamaal Rasheed

(74) *Attorney, Agent, or Firm* — Abel Schillinger, LLP;
Adrian Lawrence

(57) **CLAIM**

The ornamental design for a flame diffuser insert for an immersion tube furnace, as shown and described.

DESCRIPTION

FIG. 1 includes a perspective view of a flame diffuser insert; FIG. 2 includes another perspective view of the flame diffuser insert;

FIG. 3 includes a side elevation view of the flame diffuser insert of FIG. 1;

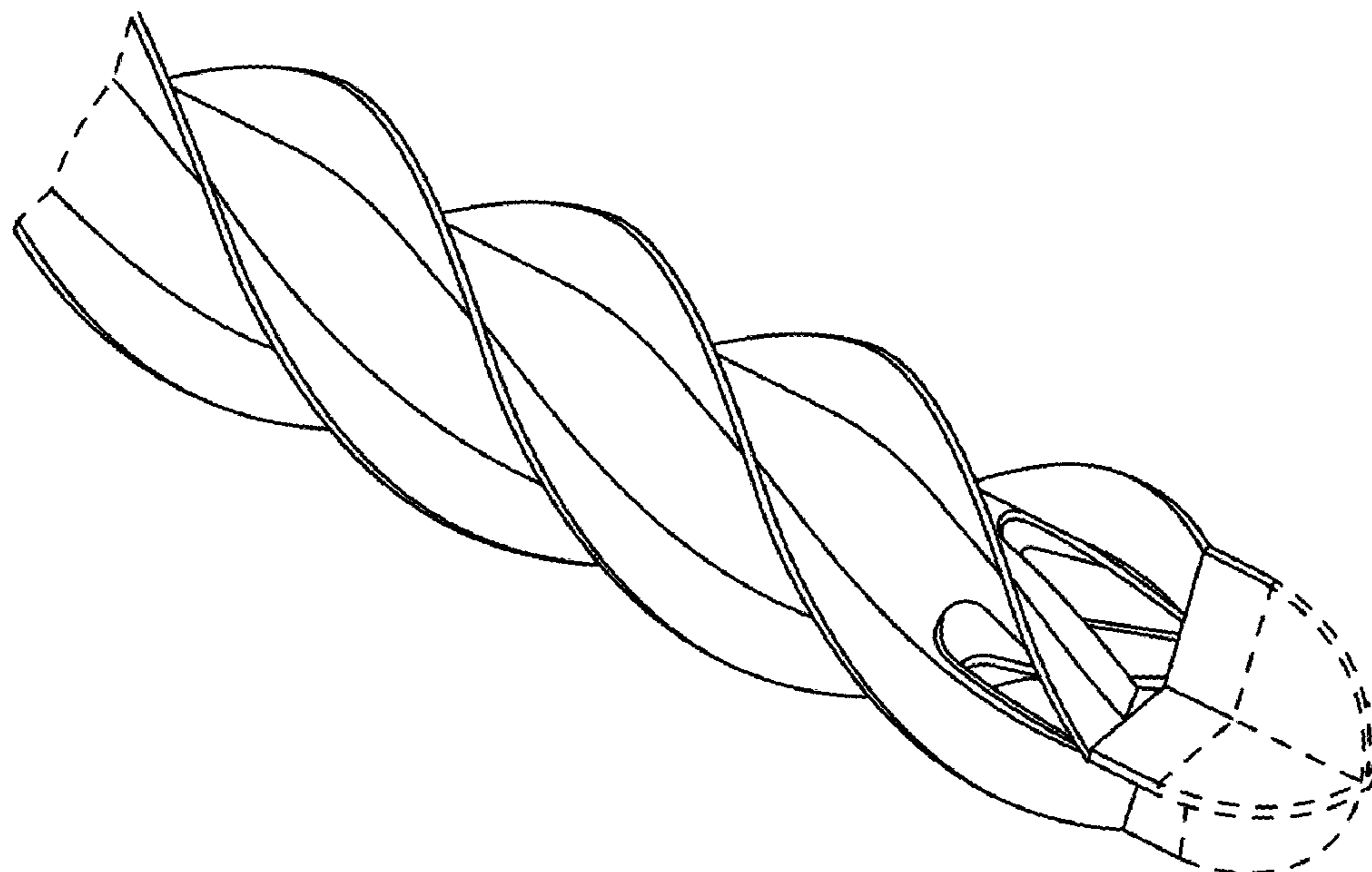
FIG. 4 includes a cross-cut side view of the flame diffuser insert of FIG. 1;

FIG. 5 includes a top elevation view of the flame diffuser insert of FIG. 1; and,

FIG. 6 includes a bottom elevation view of the flame diffuser insert of FIG. 1.

The broken lines shown in FIGS. 1 to 6 are for the purpose of depicting portions of the flame diffuser insert and form no part of the claimed design.

1 Claim, 3 Drawing Sheets



(58) **Field of Classification Search**

USPC D15/21; 175/403, 394, 388, 385, 323,
175/18; D8/354; 403/328, 292
CPC B25H 3/00; E21B 7/02; E21B 3/02; E21B
10/44; E21B 7/00; A22B 5/00; B23B
51/02; B23B 51/00; G01N 1/08; E02D
5/34; H02K 7/18; F03B 3/12; B28B 1/08;
A23L 1/16; F28D 7/12

See application file for complete search history.

(56) **References Cited**

U.S. PATENT DOCUMENTS

3,026,953 A * 3/1962 Pettee A01C 5/04
175/385
3,094,178 A * 6/1963 Newbold E21B 10/44
175/388
3,178,210 A * 4/1965 Dickinson E21B 17/22
403/292
3,301,338 A * 1/1967 Dickinson E21B 17/043
175/323
3,372,558 A * 3/1968 Guard F25C 1/147
62/320
3,387,674 A * 6/1968 Watson E21B 10/44
175/394
3,570,471 A 3/1971 Lazaridis
3,857,289 A * 12/1974 Wise E02D 1/027
73/864.43
4,351,389 A * 9/1982 Guarnaschelli F28F 1/34
165/141
4,589,844 A 5/1986 Loukas
4,641,631 A 2/1987 Jatana
D314,263 S * 1/1991 Mueller D32/26
D375,390 S * 11/1996 Pinkowski D32/26
D381,486 S * 7/1997 Hauser D1/126
5,685,382 A * 11/1997 Deeter B65G 33/32
175/122
5,728,418 A * 3/1998 Hauser A23L 7/109
426/557
5,836,402 A * 11/1998 Jones E21B 7/008
173/185
6,484,795 B1 11/2002 Kasprzyk
D474,567 S * 5/2003 Clark D32/26
D474,568 S * 5/2003 Clark D32/26
D475,372 S * 6/2003 Dulkoski D15/21
D627,536 S * 11/2010 Albuja D1/125
D630,409 S * 1/2011 Tansey D1/125
8,162,040 B2 * 4/2012 Briselden F23C 3/002
165/109.1
8,397,835 B1 * 3/2013 Lyngaas E21B 7/008
175/18

D683,927 S * 6/2013 Tansey D1/125
D721,217 S * 1/2015 Rogers D1/125
D730,618 S * 6/2015 Kouakou D1/125
D747,068 S * 1/2016 Walsh D1/125
9,303,455 B2 * 4/2016 Ivan, Sr. E21B 10/32
D806,224 S * 12/2017 Kim D23/375
D876,929 S * 3/2020 Imrich D8/354
2003/0089528 A1 * 5/2003 Hamilton E21B 10/02
175/403
2004/0016267 A1 * 1/2004 Clark D06F 39/024
68/133
2004/0031617 A1 * 2/2004 Skarlupka, IV E21B 7/028
173/184
2008/0032601 A1 2/2008 Arcona
2008/0298916 A1 * 12/2008 Jordan B23B 51/02
408/214
2010/0260878 A1 * 10/2010 Seppanen B28B 3/222
425/64
2011/0085907 A1 * 4/2011 Anderson F03B 3/126
416/120
2011/0254276 A1 * 10/2011 Anderson, Jr. F03B 17/061
290/54
2011/0301742 A1 12/2011 Mundt
2013/0101344 A1 * 4/2013 Matthias E21B 17/046
403/349
2015/0209954 A1 * 7/2015 Hokanson B25H 3/04
52/741.14
2016/0010393 A1 * 1/2016 Ivan, Sr. A01K 97/01
175/18
2016/0091199 A1 3/2016 Vandegrift
2016/0244933 A1 * 8/2016 Blum E21B 10/44
2019/0032412 A1 * 1/2019 Banjo E21B 7/008
2019/0076936 A1 * 3/2019 Zimmermann B27G 15/00
2019/0090495 A1 * 3/2019 Shell A23B 4/062
2019/0250072 A1 * 8/2019 Pasch G01N 33/24
2019/0375028 A1 * 12/2019 Kulig B23B 51/02

FOREIGN PATENT DOCUMENTS

EP 2069692 B1 1/2019
GB 1211991 A 11/1970
WO 2018078907 A1 5/2018

OTHER PUBLICATIONS

Innovative Refractories, Date unavailable[online], [site visited May 27, 2020]. Available from internet, URL:<<https://flowvella.com/s/6abt/5C120BC1-BBBC-4FD8-BDCF-1656C4BFEFCC>> (Year: 2020).*
Immersion Heater Tubes, Date unavailable[online], [site visited May 27, 2020]. Available from internet, URL:<<http://www.ceramco-ltd.co.uk/immersion-heater-tubes.html>> (Year: 2020).*

* cited by examiner

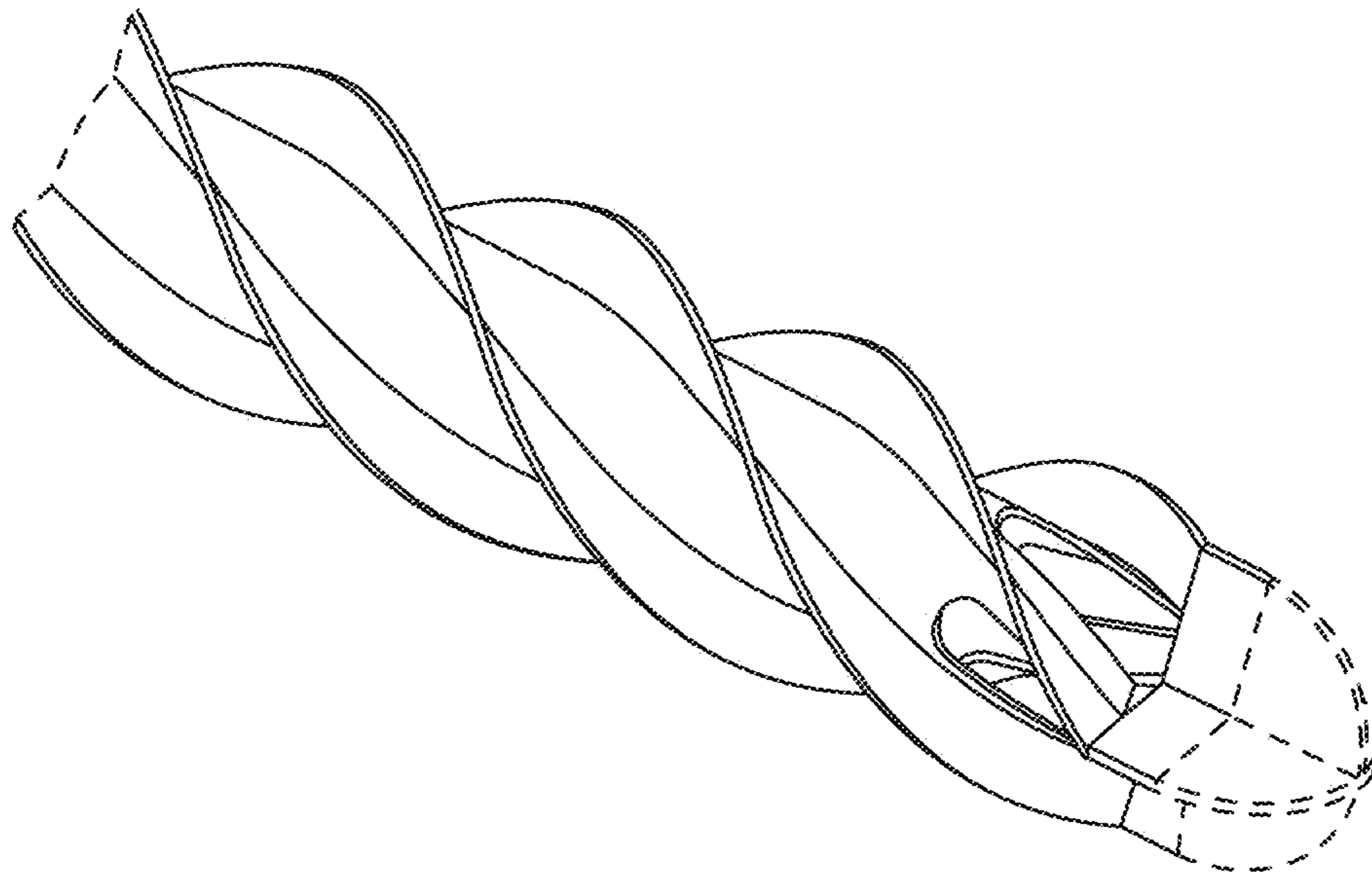


FIG. 1

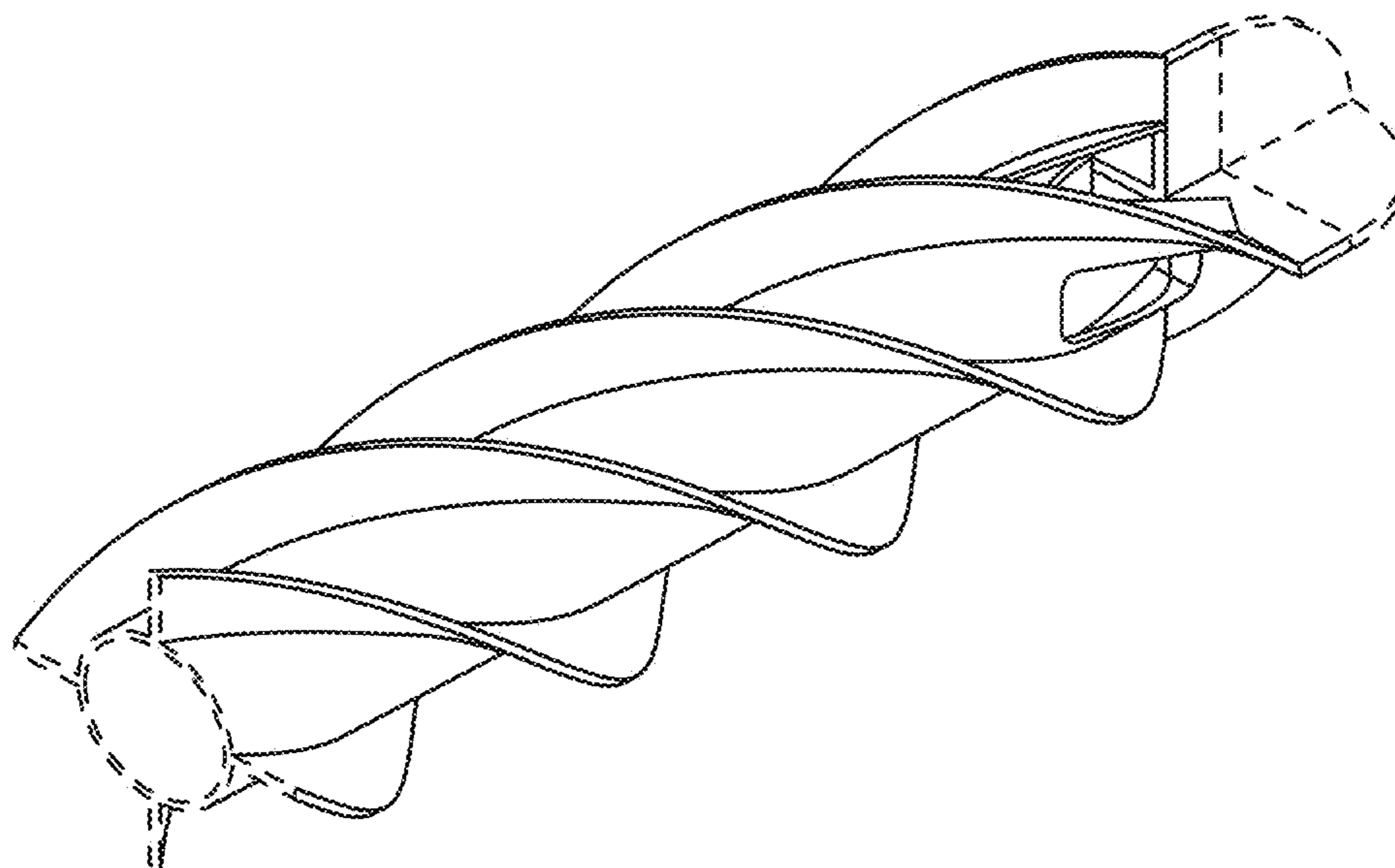


FIG. 2

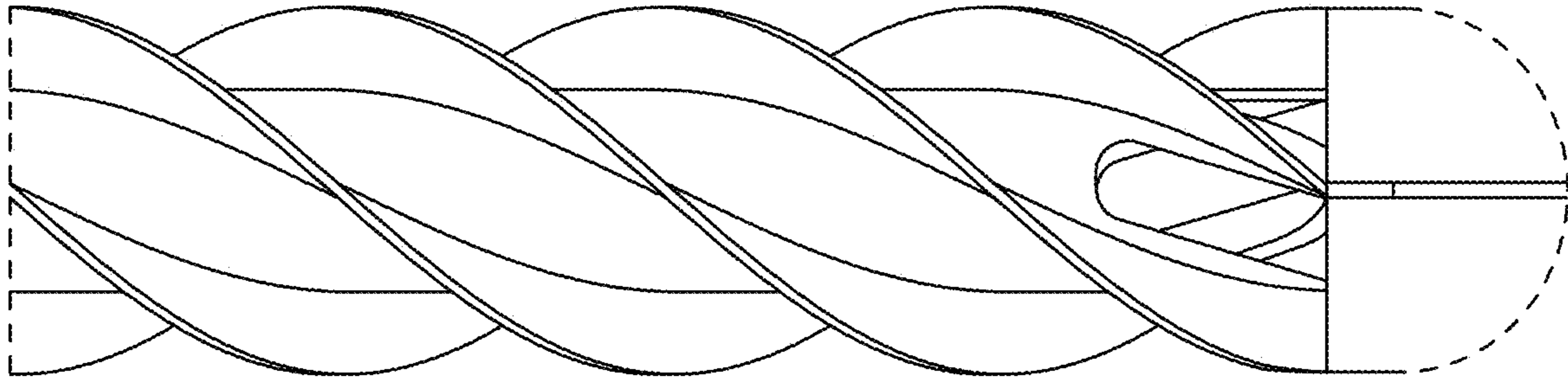


FIG. 3

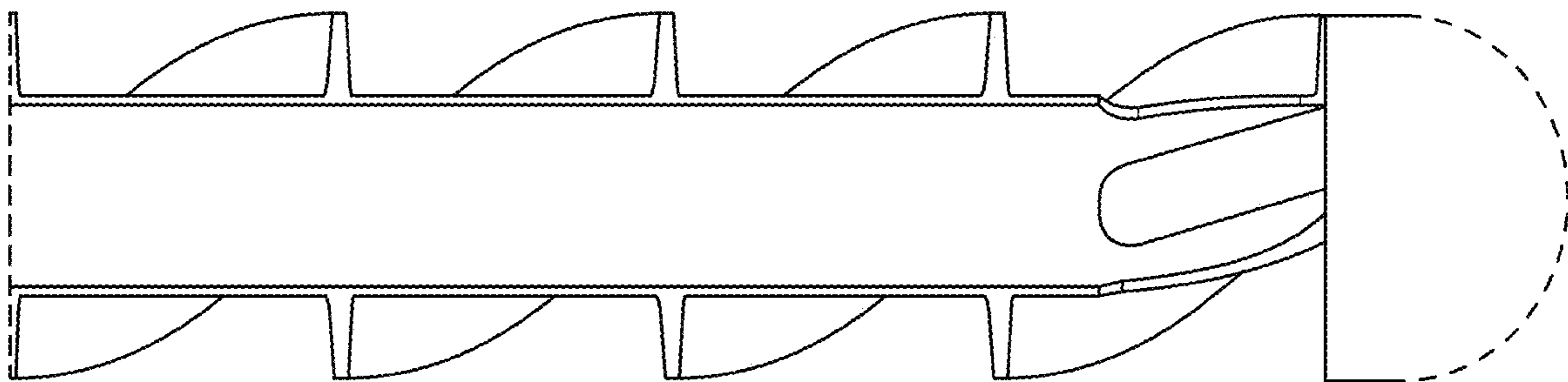


FIG. 4

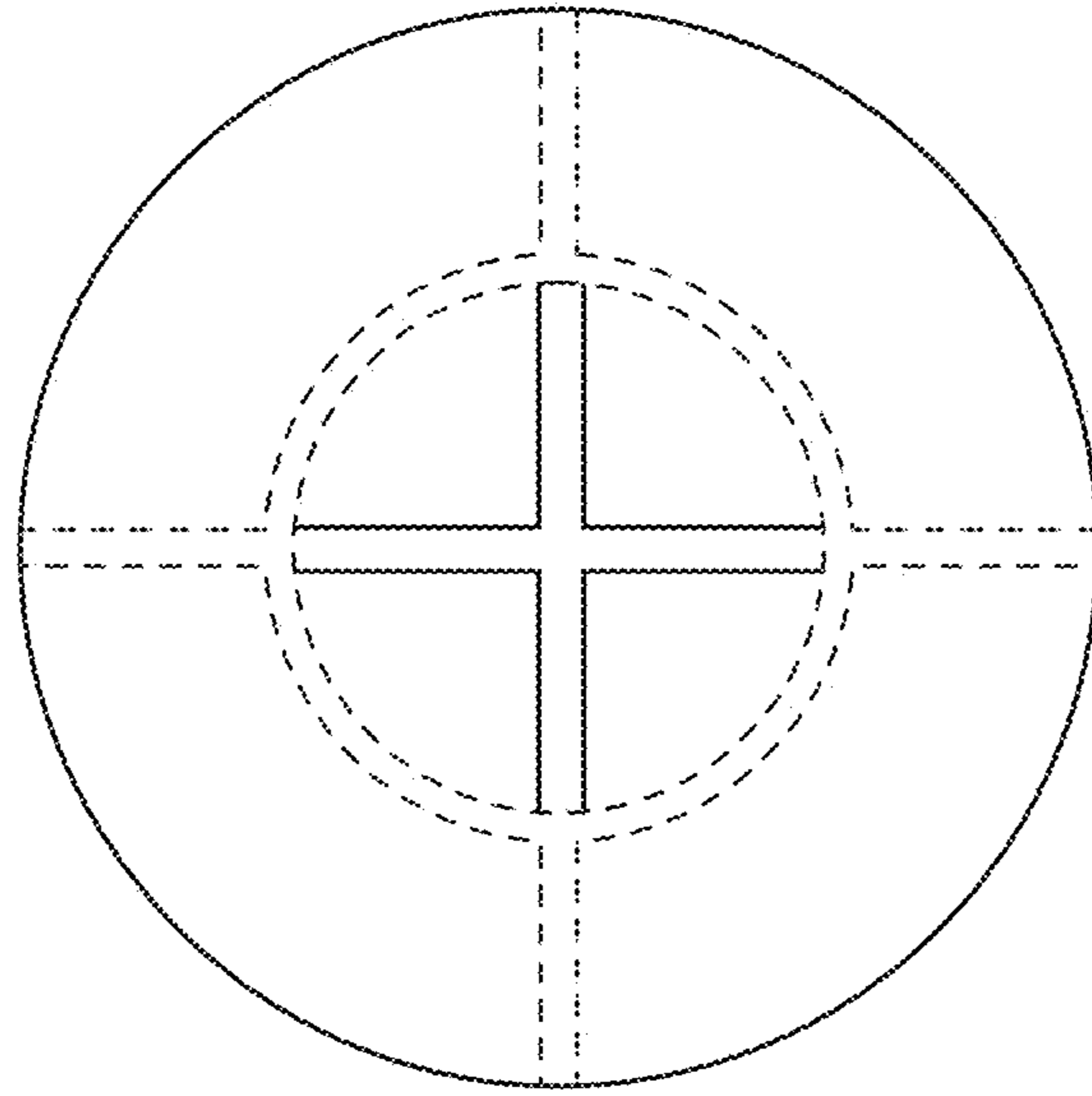


FIG. 5

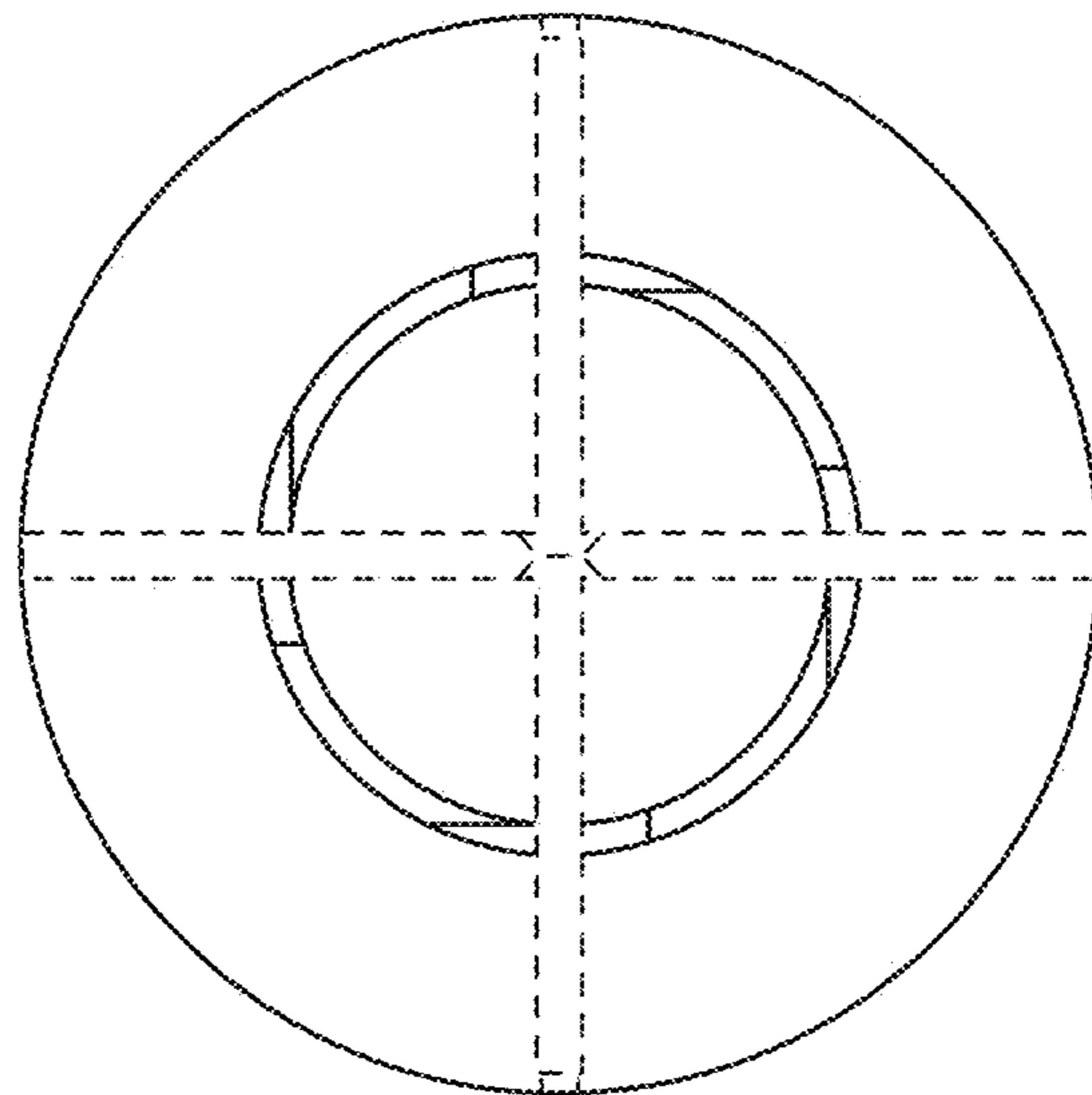


FIG. 6