



US00D910827S

(12) **United States Design Patent** (10) **Patent No.:** **US D910,827 S**
Chen et al. (45) **Date of Patent:** **** Feb. 16, 2021**

(54) **CEILING FAN WITH LIGHT**
(71) Applicants: **Chia-Teh Chen**, Taipei (TW); **Luminex International Co., Ltd.**, Mahe (SC)
(72) Inventors: **Chia-Teh Chen**, Taipei (TW); **Meng-Chu Lee**, Taipei (TW)
(73) Assignees: **Chia-Teh Chen**, Taipei (TW); **Luminex International Co., Ltd.**, Mahe (SC)
(**) Term: **15 Years**
(21) Appl. No.: **29/714,937**
(22) Filed: **Nov. 27, 2019**
(51) **LOC (13) Cl.** **23-04**
(52) **U.S. Cl.**
USPC **D23/377**
(58) **Field of Classification Search**
USPC D23/370, 377, 379, 385, 411, 413;
D26/59; D12/214, 339, 344
CPC F04D 25/088; F04D 29/38; F04D 29/384;
F04D 29/386; F21V 33/0096
See application file for complete search history.

(56) **References Cited**
U.S. PATENT DOCUMENTS
6,171,060 B1 * 1/2001 Gajewski F04D 25/088
416/214 R
D535,388 S 1/2007 Gajewski
D626,643 S 11/2010 Situ et al.
D629,501 S 12/2010 Liu
D645,134 S 9/2011 Lee et al.
D675,313 S 1/2013 Lindgren
D715,421 S 10/2014 Schulzman
D716,438 S 10/2014 Liu Ching-Wen
D721,800 S 1/2015 Busta
D726,297 S 4/2015 Liu Ching-Wen
D732,656 S 6/2015 Wu et al.

D745,956 S * 12/2015 Ertze D23/385
D755,948 S 5/2016 Ertze
D761,949 S 7/2016 Badarello
D773,639 S 12/2016 Shen
D773,640 S 12/2016 Wang
D776,251 S * 1/2017 Pickett D23/413
D778,422 S * 2/2017 Gajewski D23/377
D779,648 S 2/2017 Badarello et al.
D785,155 S * 4/2017 Wang D23/377
D792,577 S * 7/2017 Gajewski D23/411
D795,413 S * 8/2017 Wang D23/377
D799,660 S 10/2017 Jones
D799,682 S * 10/2017 Wang D23/411
D799,688 S 10/2017 Wang
D800,290 S * 10/2017 Searle D23/377
D806,226 S * 12/2017 Gajewski D23/411

(Continued)

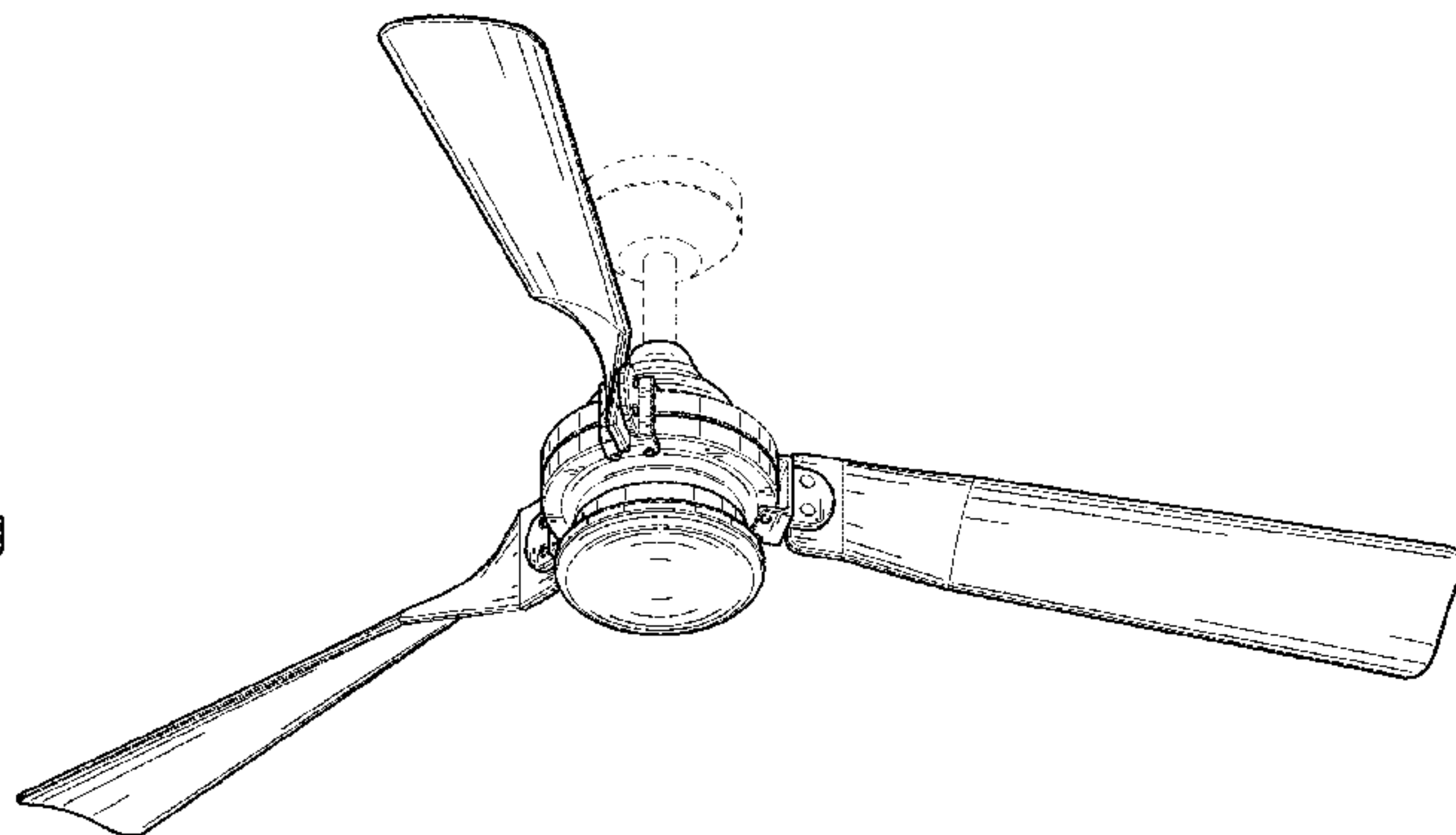
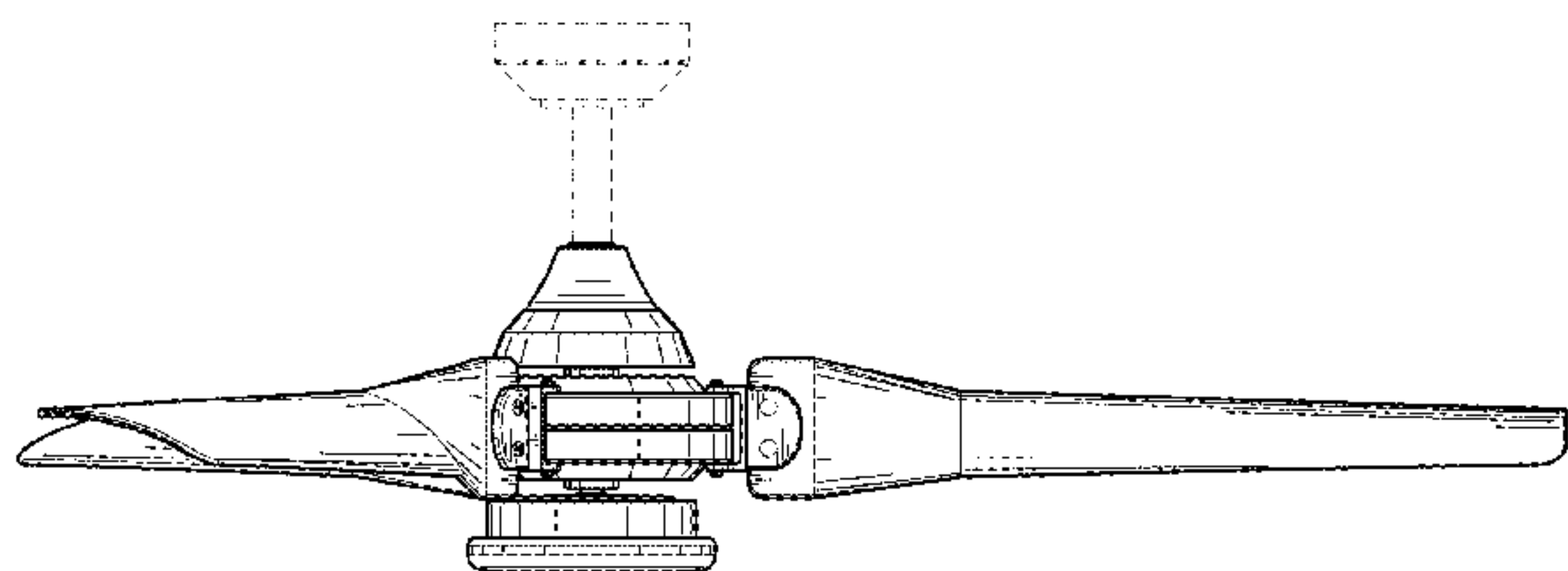
Primary Examiner — Cathron C Brooks
Assistant Examiner — Sharon S Oum
(74) *Attorney, Agent, or Firm* — Li & Cai Intellectual Property Office

(57) **CLAIM**
The ornamental design for a ceiling fan with light, as shown and described.

DESCRIPTION

FIG. 1 is a front and top perspective view of a ceiling fan with light showing our new design;
FIG. 2 is a front elevational view thereof;
FIG. 3 is a rear elevational view thereof;
FIG. 4 is a left side elevational view thereof;
FIG. 5 is a right side elevational view thereof;
FIG. 6 is a top plan view thereof;
FIG. 7 is a bottom plan view thereof; and,
FIG. 8 is a rear and bottom perspective view thereof.
The broken lines depict portions of the ceiling fan with light in which the design is embodied that forms no part of the claimed design.

1 Claim, 8 Drawing Sheets



(56)

References Cited

U.S. PATENT DOCUMENTS

D806,856 S	1/2018	Schulzman	
D809,118 S *	1/2018	Guthrie	D23/377
D810,923 S	2/2018	Jones	
D811,577 S *	2/2018	Yang	D23/411
D811,578 S	2/2018	Badarello	
D814,622 S	4/2018	Gajewski	
D818,572 S	5/2018	Gajewski	
D825,736 S	8/2018	Badarello	
D826,395 S *	8/2018	McRoberts	D23/411
D828,535 S	9/2018	Searle	
D835,255 S	12/2018	Jones	
D844,771 S	4/2019	Badarello	
D844,772 S	4/2019	Badarello	
D877,311 S *	3/2020	Wang	D23/377
D890,909 S *	7/2020	Streng	D23/377

* cited by examiner

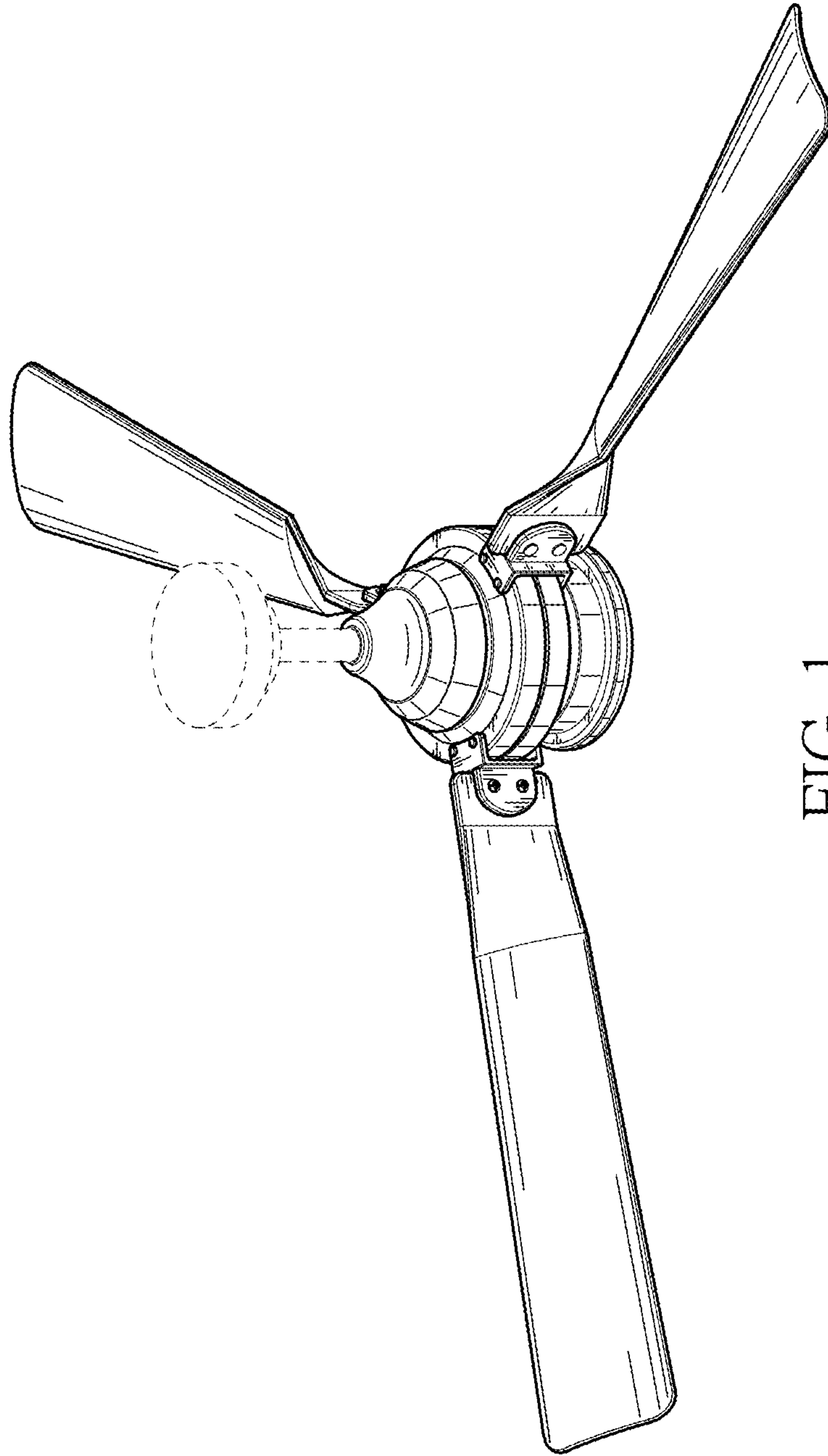


FIG. 1

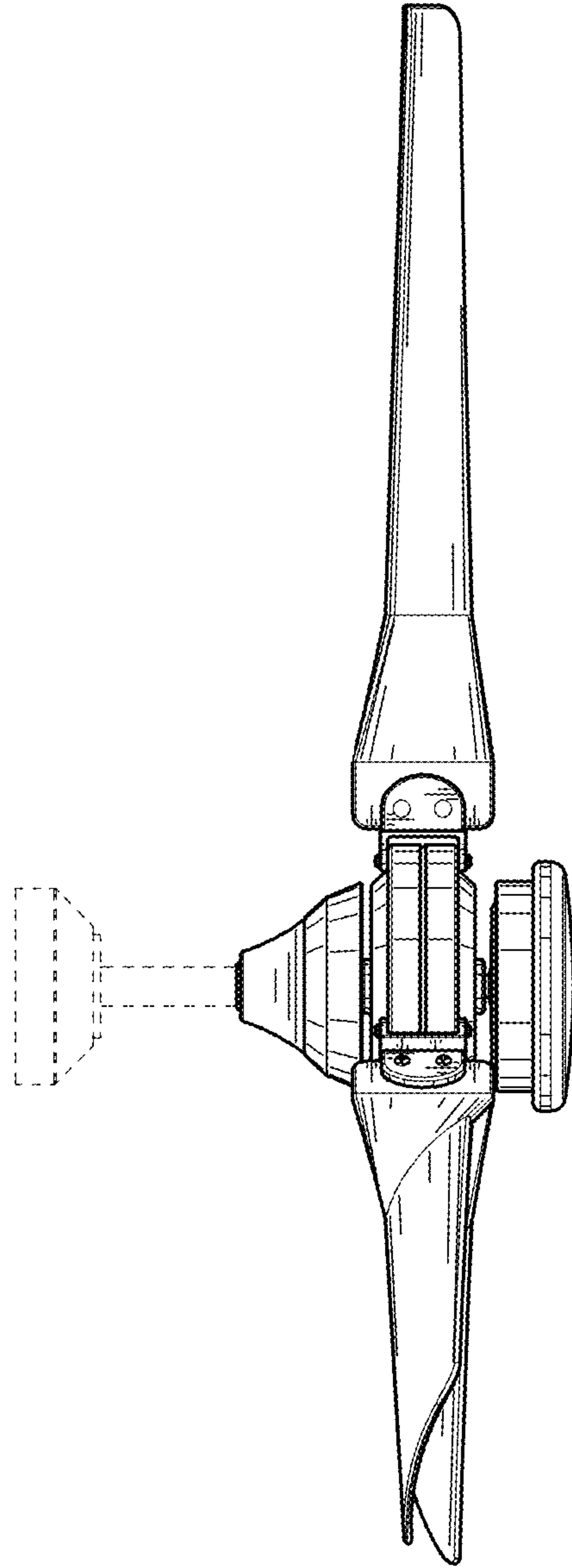


FIG. 2

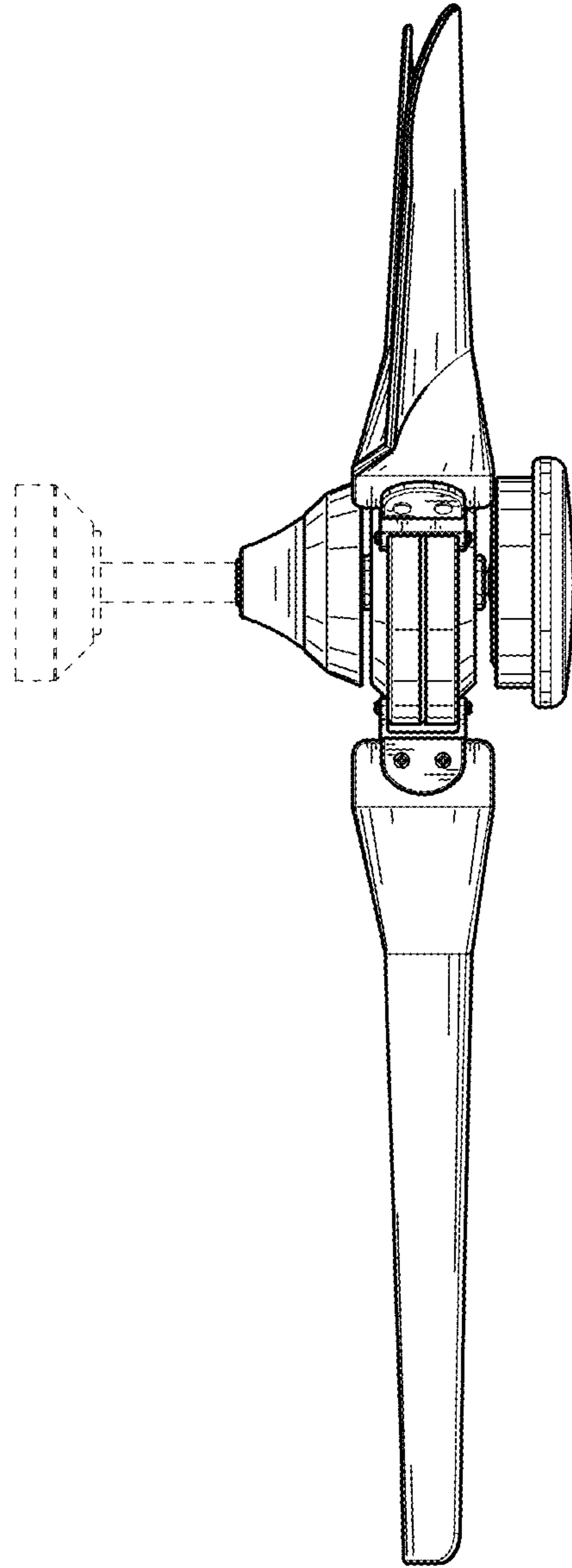


FIG. 3

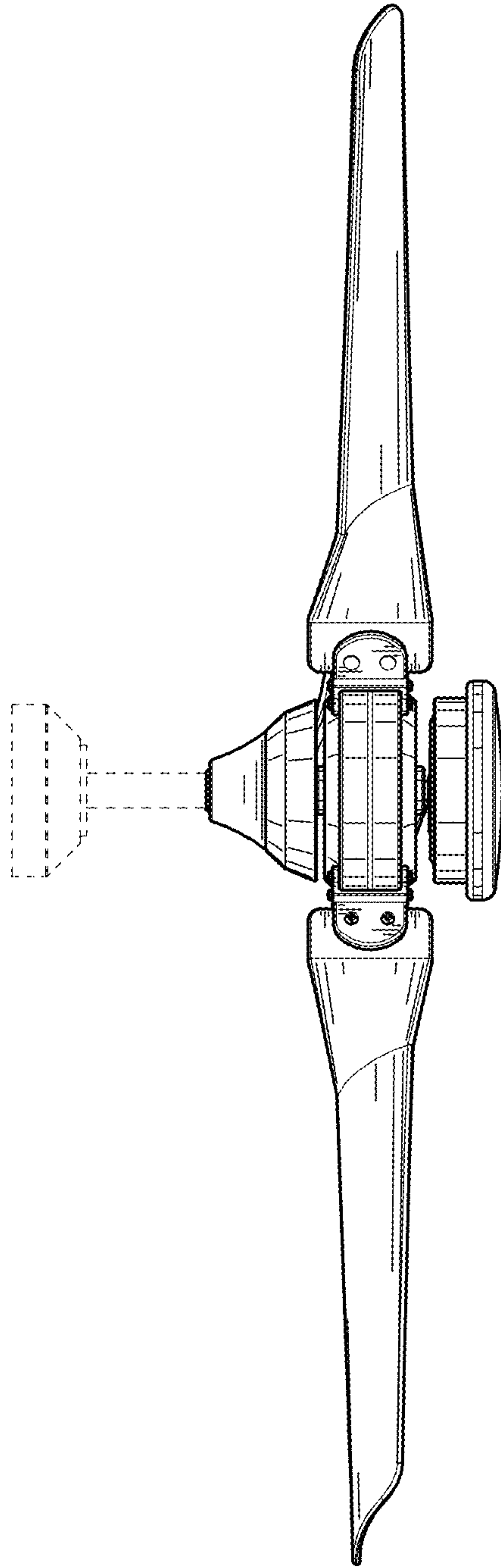


FIG. 4

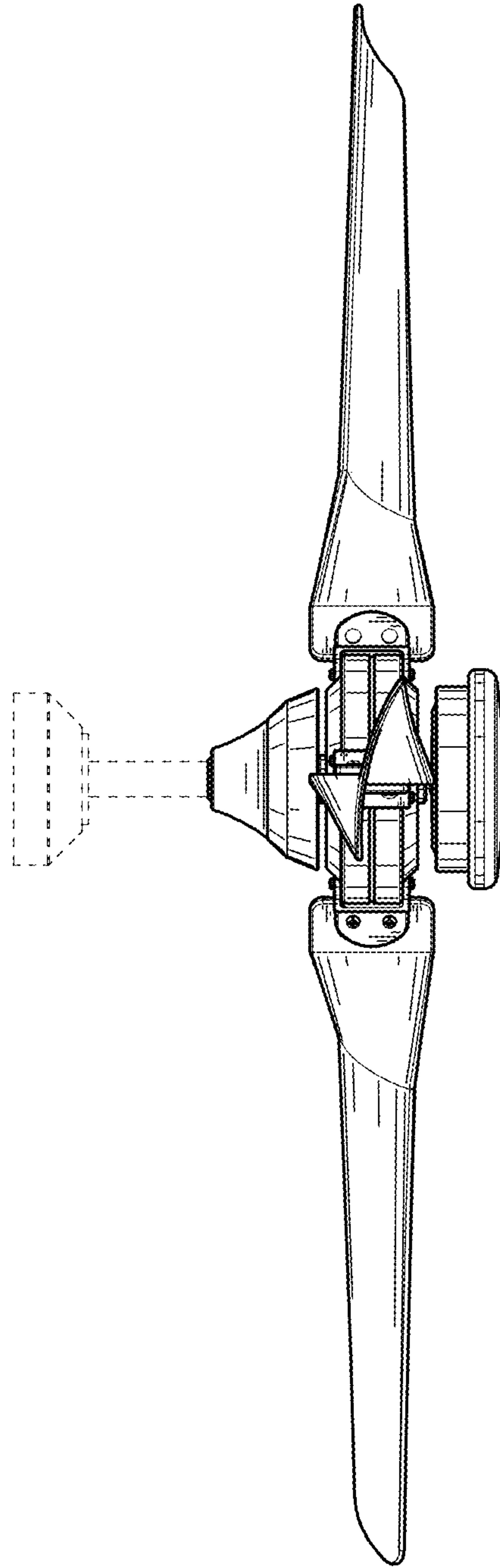


FIG. 5

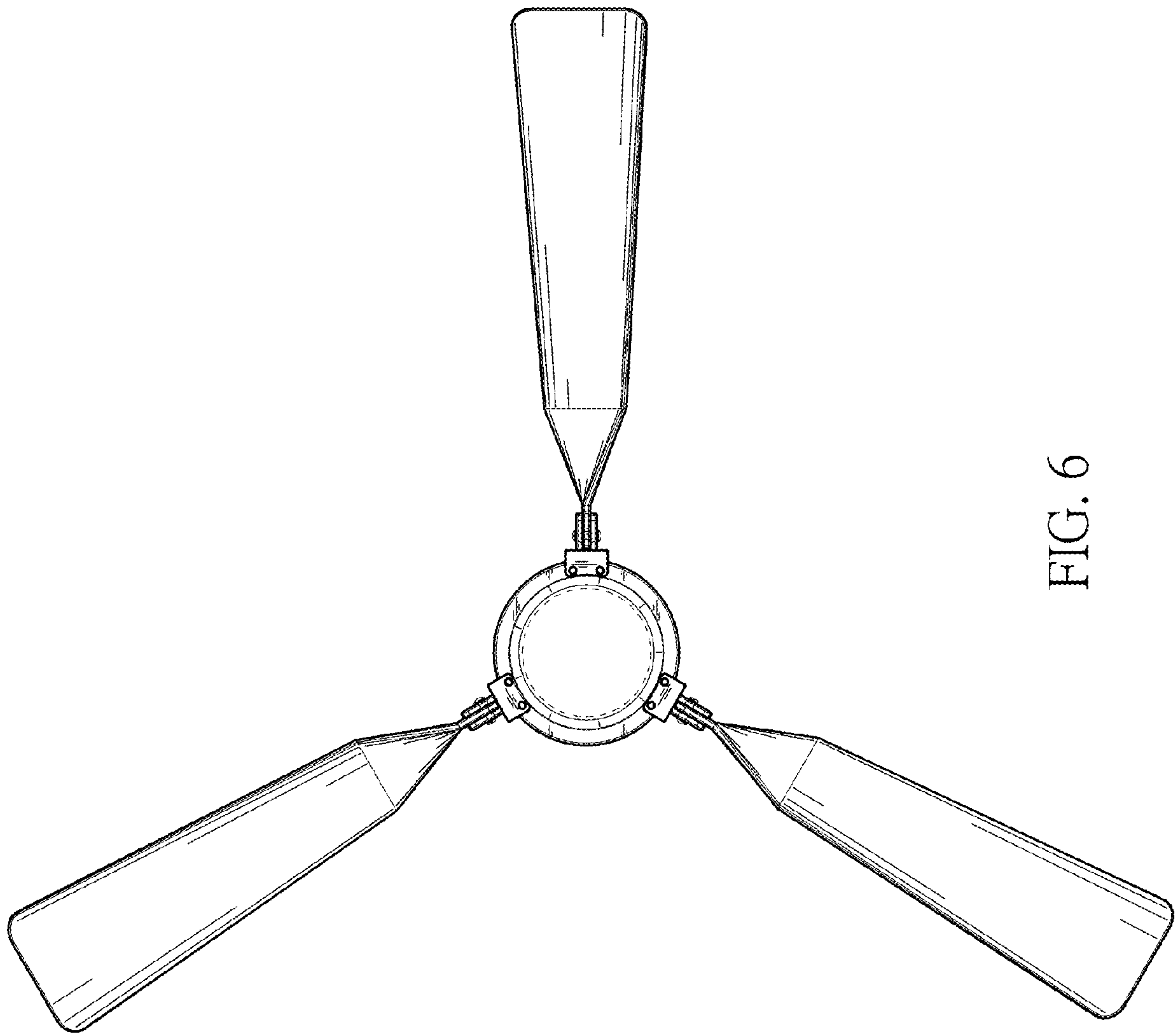


FIG. 6

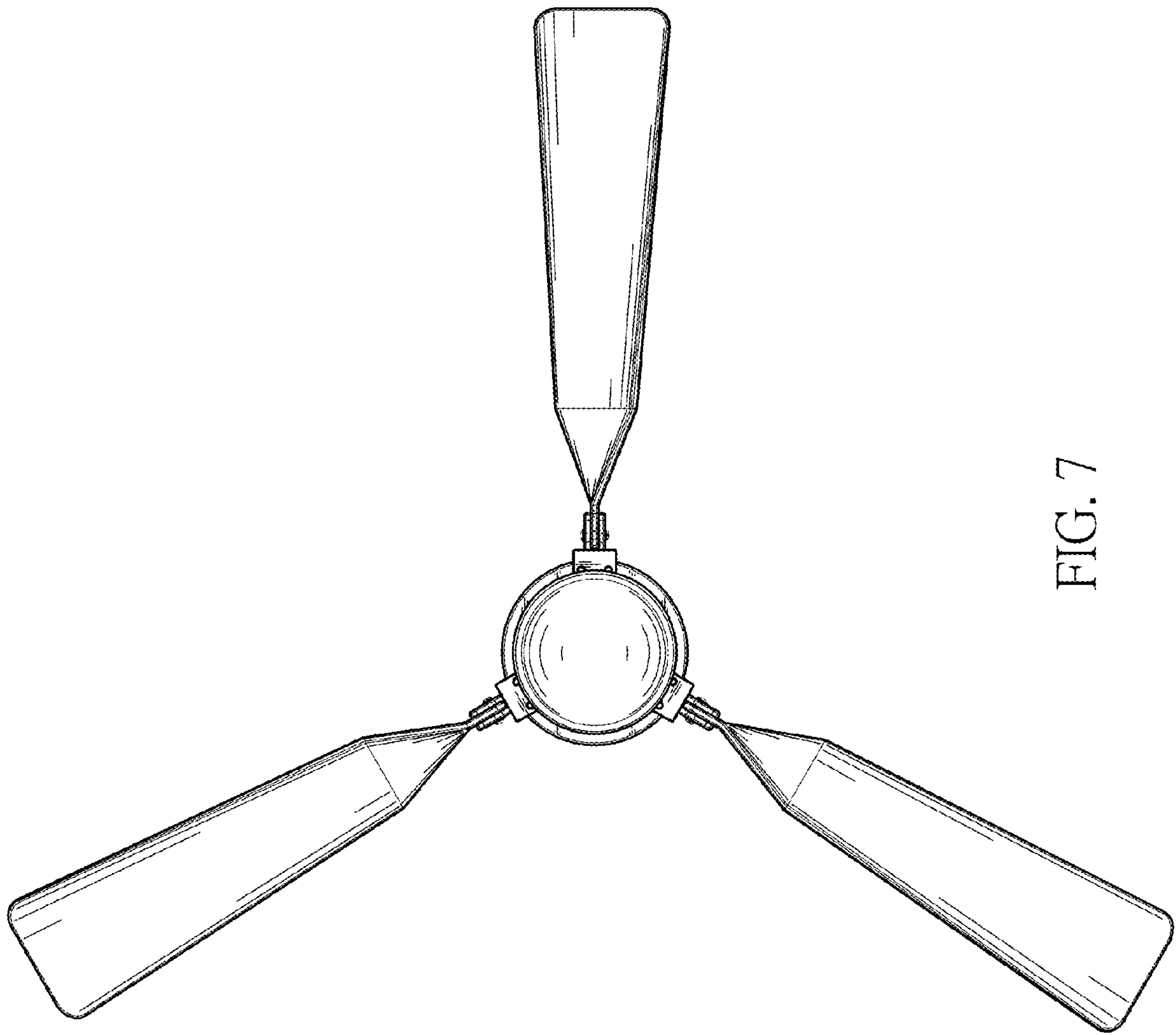


FIG. 7

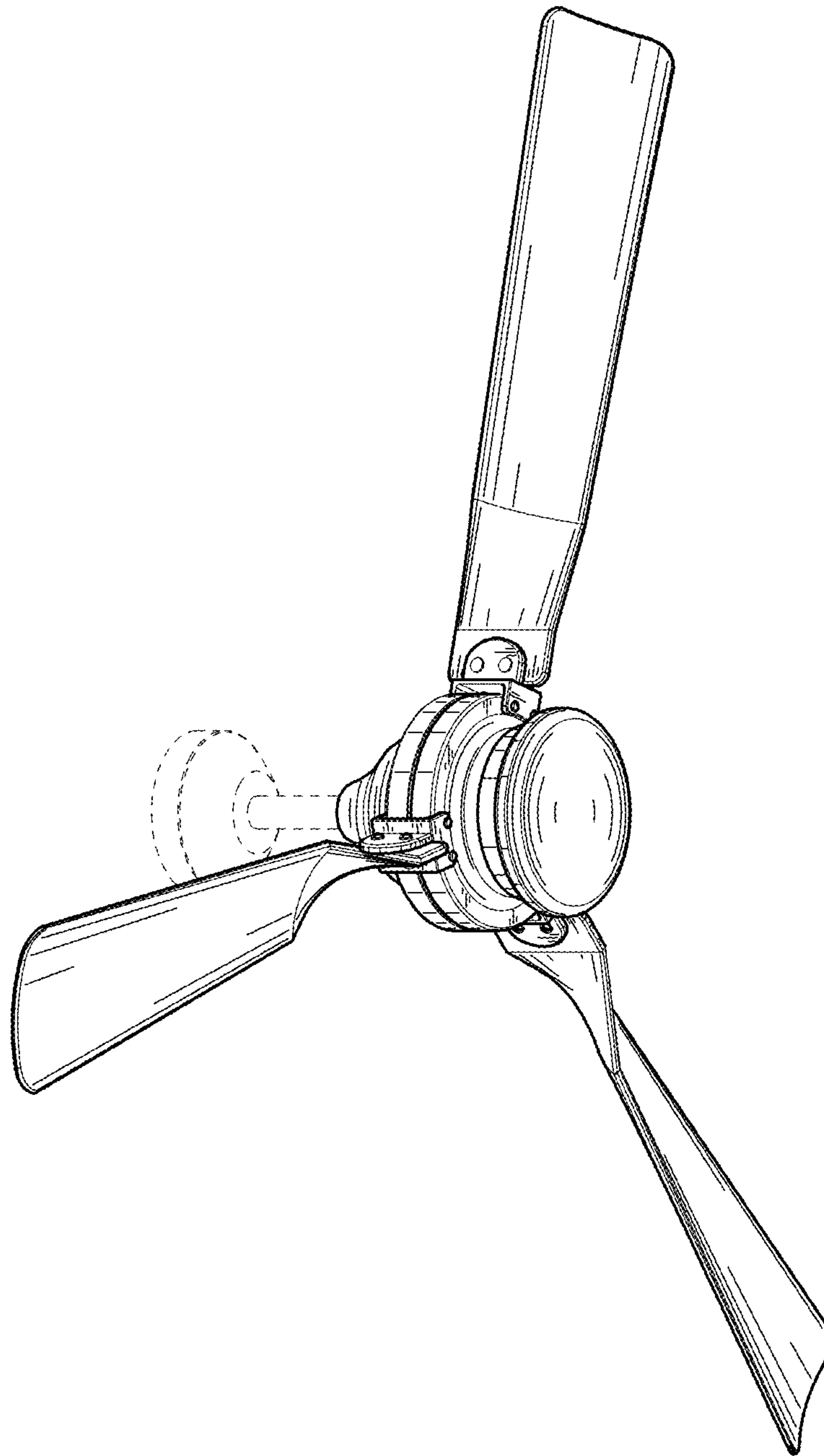


FIG. 8