



US00D910826S

(12) **United States Design Patent**
Jung et al.

(10) **Patent No.:** **US D910,826 S**

(45) **Date of Patent:** **** Feb. 16, 2021**

(54) **AIR PURIFIER WITH LIGHT**

(71) Applicant: **LG ELECTRONICS INC.**, Seoul (KR)

(72) Inventors: **Soonho Jung**, Seoul (KR); **Seungho Baek**, Seoul (KR); **Heejae Kwon**, Seoul (KR); **Jaeyoung Jo**, Seoul (KR); **Minha Lee**, Seoul (KR)

(73) Assignee: **LG ELECTRONICS INC.**, Seoul (KR)

(**) Term: **15 Years**

(21) Appl. No.: **35/508,323**

(22) Filed: **Jul. 8, 2019**

(80) **Hague Agreement Data**

Int. Filing Date: **Jul. 8, 2019**

Int. Reg. No.: **DM/203987**

Int. Reg. Date: **Jul. 8, 2019**

Int. Reg. Pub. Date: **Jan. 10, 2020**

(30) **Foreign Application Priority Data**

Feb. 15, 2019 (KR) 30-2019-0006972

(51) **LOC (13) Cl.** **23-04**

(52) **U.S. Cl.**
USPC **D23/364**; D26/51; D26/59

(58) **Field of Classification Search**
USPC D23/351, 352, 355-365; D26/51, 59, 72, D26/75, 76, 79
CPC A61L 9/00; A61L 9/02; A61L 9/03; A61L 9/034; A61L 9/04; A61L 9/12; A61L 9/032; A61L 9/122; A61L 9/127; A61L 9/22; B01D 46/00; B01D 46/0002; B01D 46/20; F02M 35/04; F02M 35/02; F24F 13/20; A62B 21/00; F21S 8/04; F21S 8/06; F21S 8/026; F21S 8/028; F21S 8/061; F21S 8/063

See application file for complete search history.

(56) **References Cited**

U.S. PATENT DOCUMENTS

D324,420 S * 3/1992 Farce F21V 33/0096
D23/369
D441,856 S * 5/2001 Wettergren D23/328
D451,180 S * 11/2001 Hoare D23/356
D477,397 S * 7/2003 Chen D23/411
D598,535 S * 8/2009 Young A47L 7/04
D23/411
D648,016 S * 11/2011 Choi D23/364
D739,001 S * 9/2015 Crisa' D23/372

(Continued)

FOREIGN PATENT DOCUMENTS

GB 6082648 * 2/2020
GB 6082654 * 2/2020

(Continued)

Primary Examiner — Keli L Hill

(74) *Attorney, Agent, or Firm* — Birch, Stewart, Kolasch & Birch, LLP

(57) **CLAIM**

The ornamental design for an air purifier with light, as shown and described.

DESCRIPTION

1. Air purifier with light

1.1 : Perspective

1.2 : Front

1.3 : Back

1.4 : Left

1.5 : Right

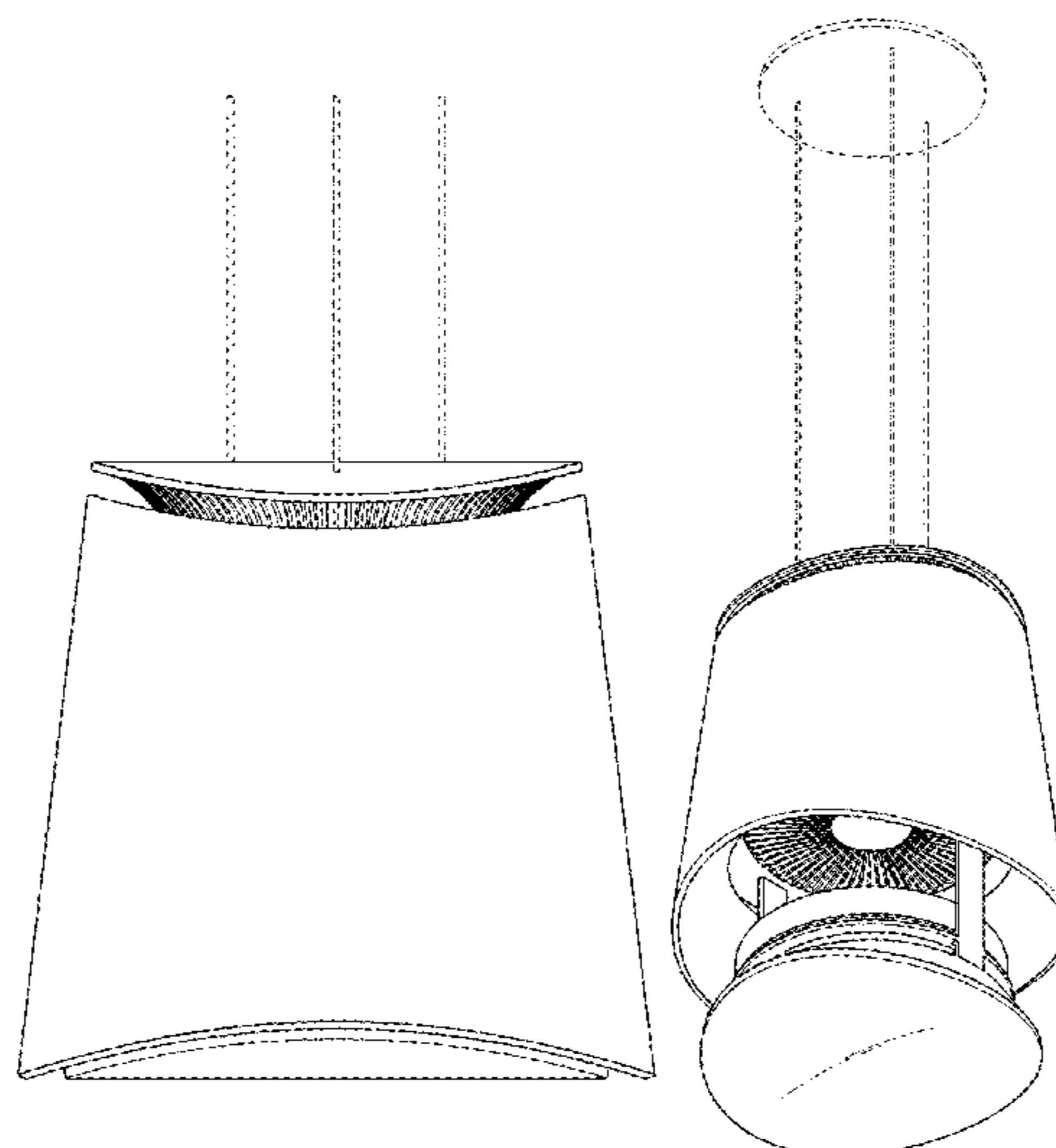
1.6 : Top

1.7 : Bottom

1.8 : Reference view showing a state of use

The broken lines shown are included for the purpose of illustrating environment of the article and forms no part of the claimed design.

1 Claim, 8 Drawing Sheets



(56)

References Cited

U.S. PATENT DOCUMENTS

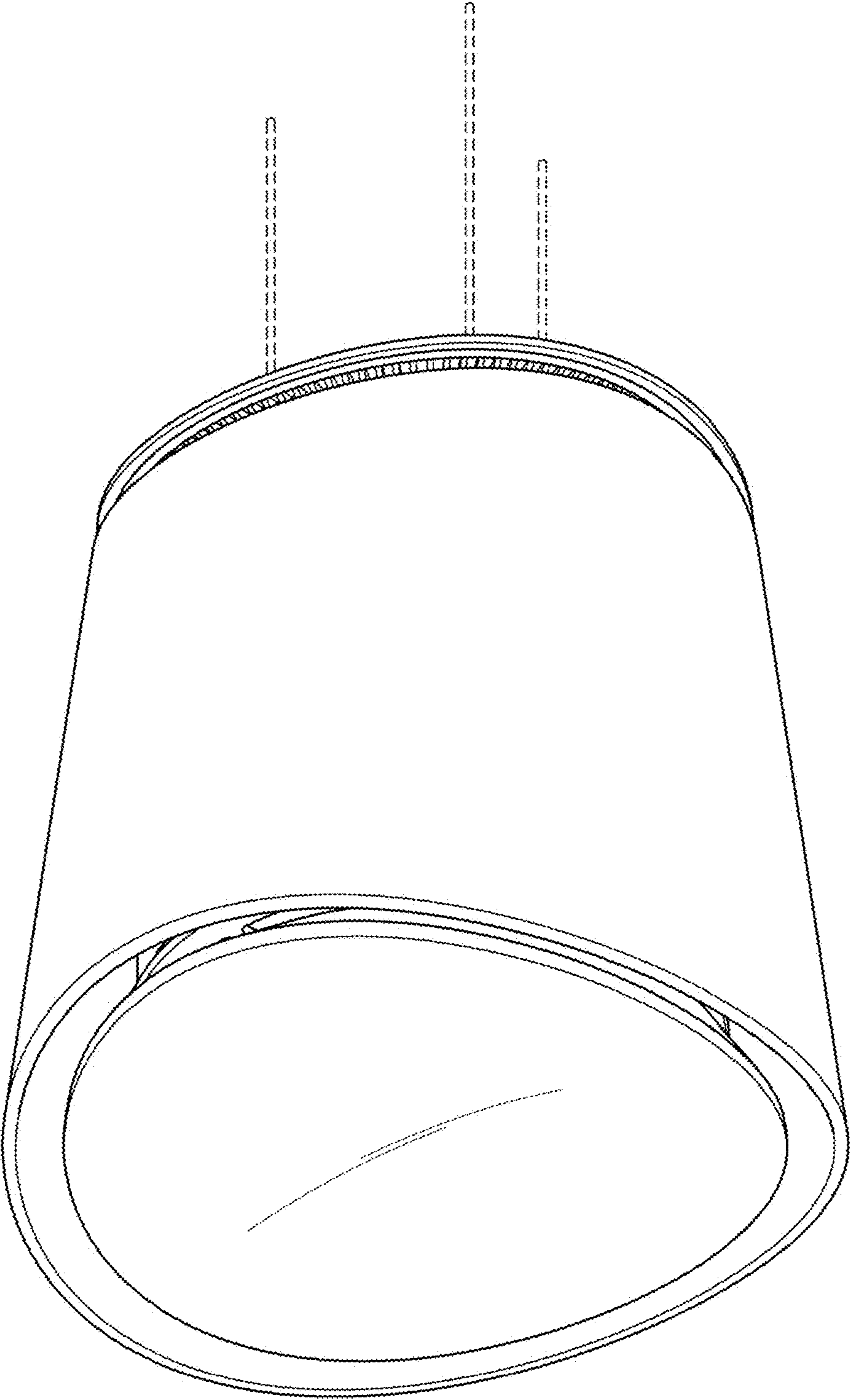
D806,843 S * 1/2018 McDonnell D23/355
D848,601 S * 5/2019 Gajewski D23/411
D877,315 S * 3/2020 Pickett D23/411
D903,850 S * 12/2020 McRoberts D23/411
2012/0087132 A1* 4/2012 Zakula F21V 33/0096
362/294
2020/0298162 A1* 9/2020 Jeon A47L 7/04

FOREIGN PATENT DOCUMENTS

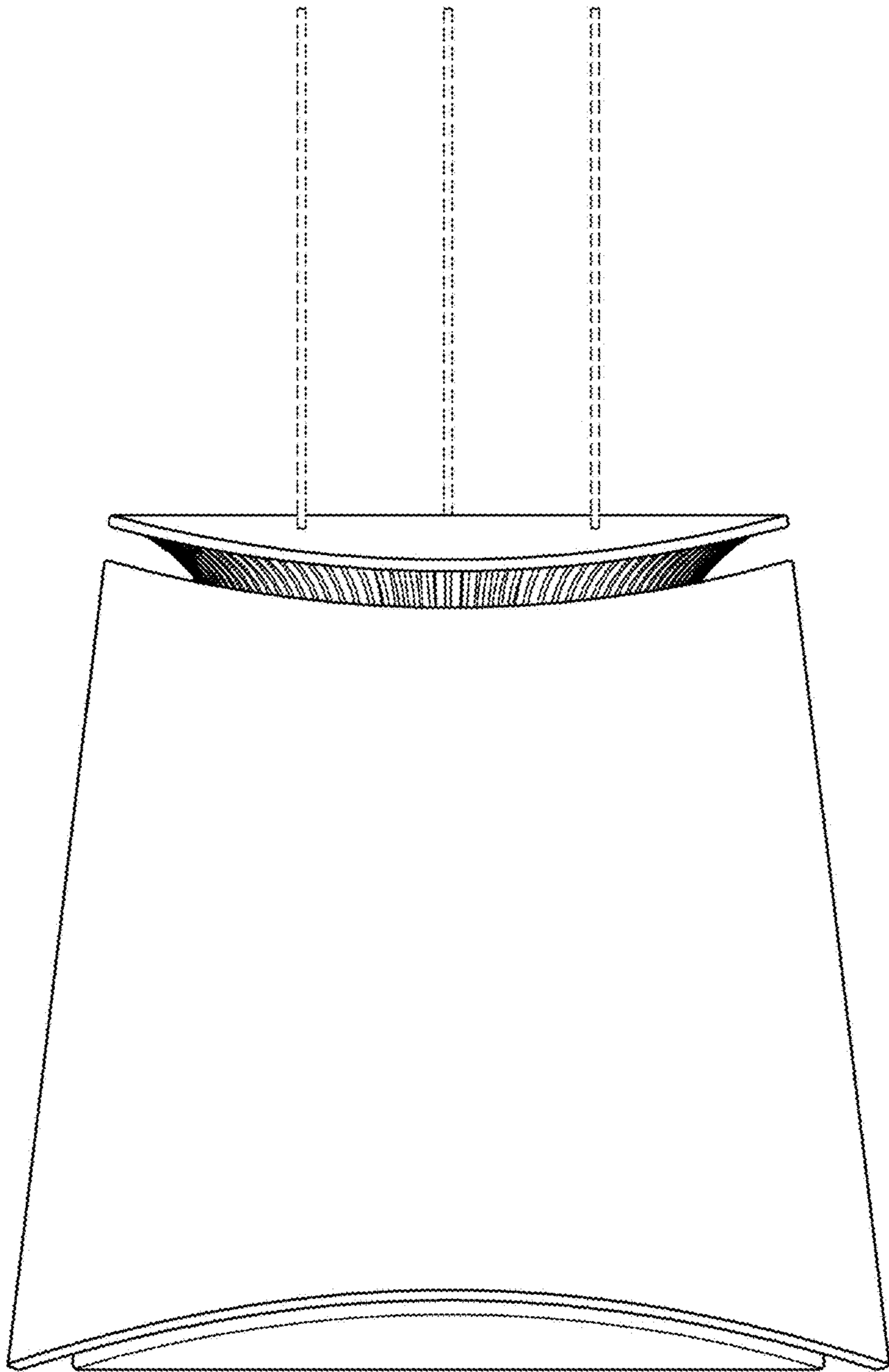
GB 6082656 * 2/2020
JP D1362243 * 5/2009

* cited by examiner

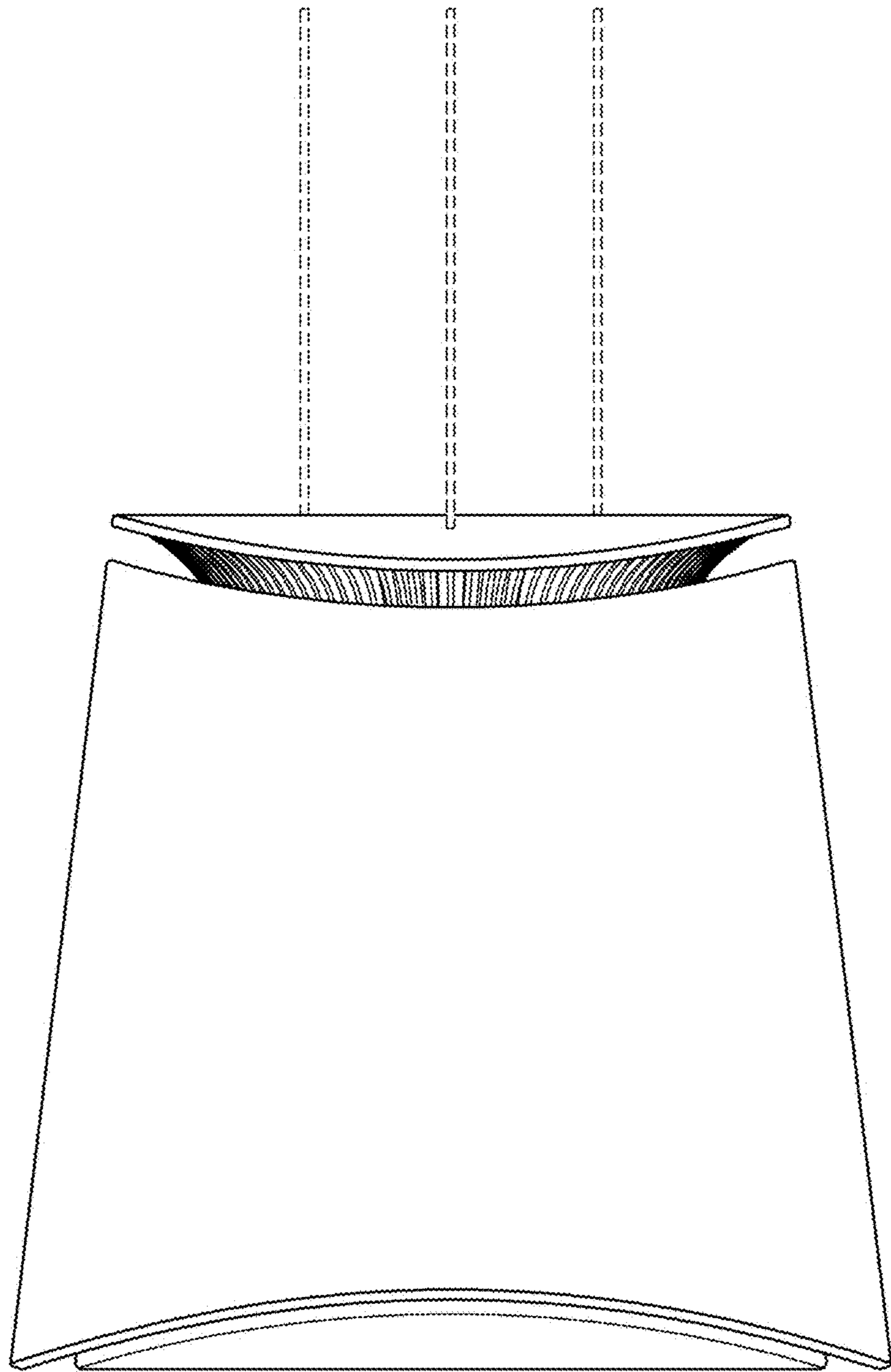
1.1



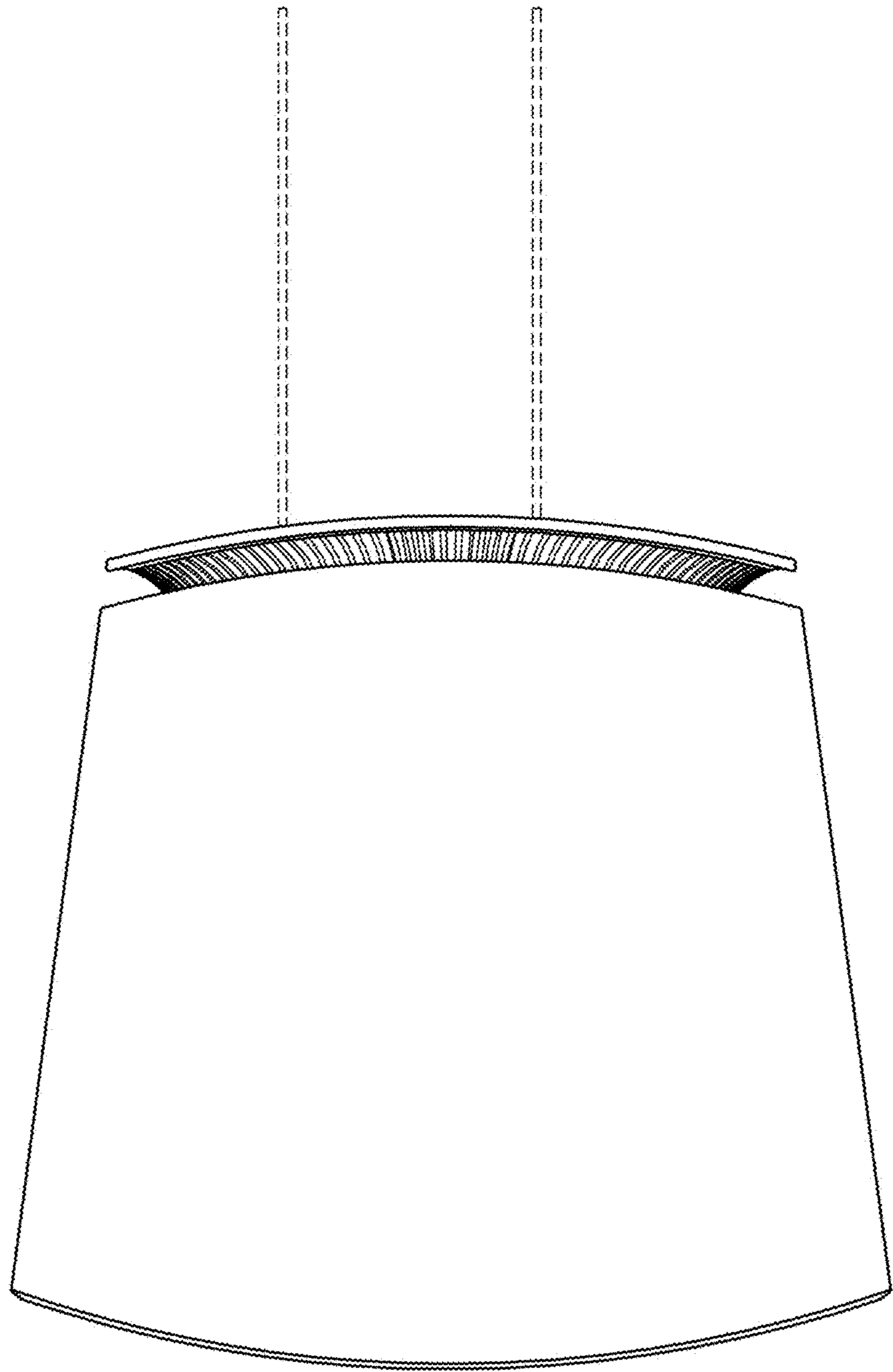
1.2



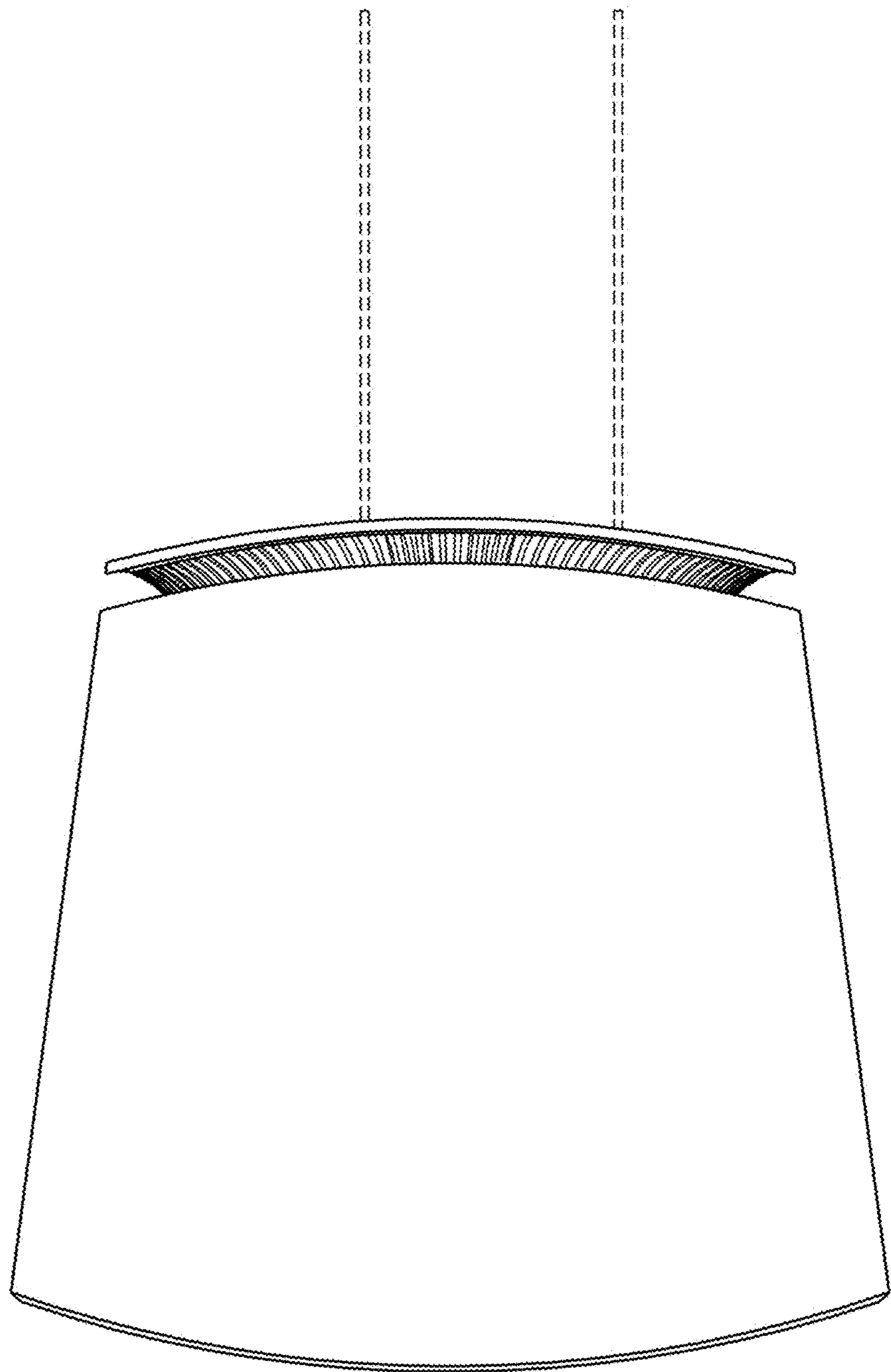
1.3



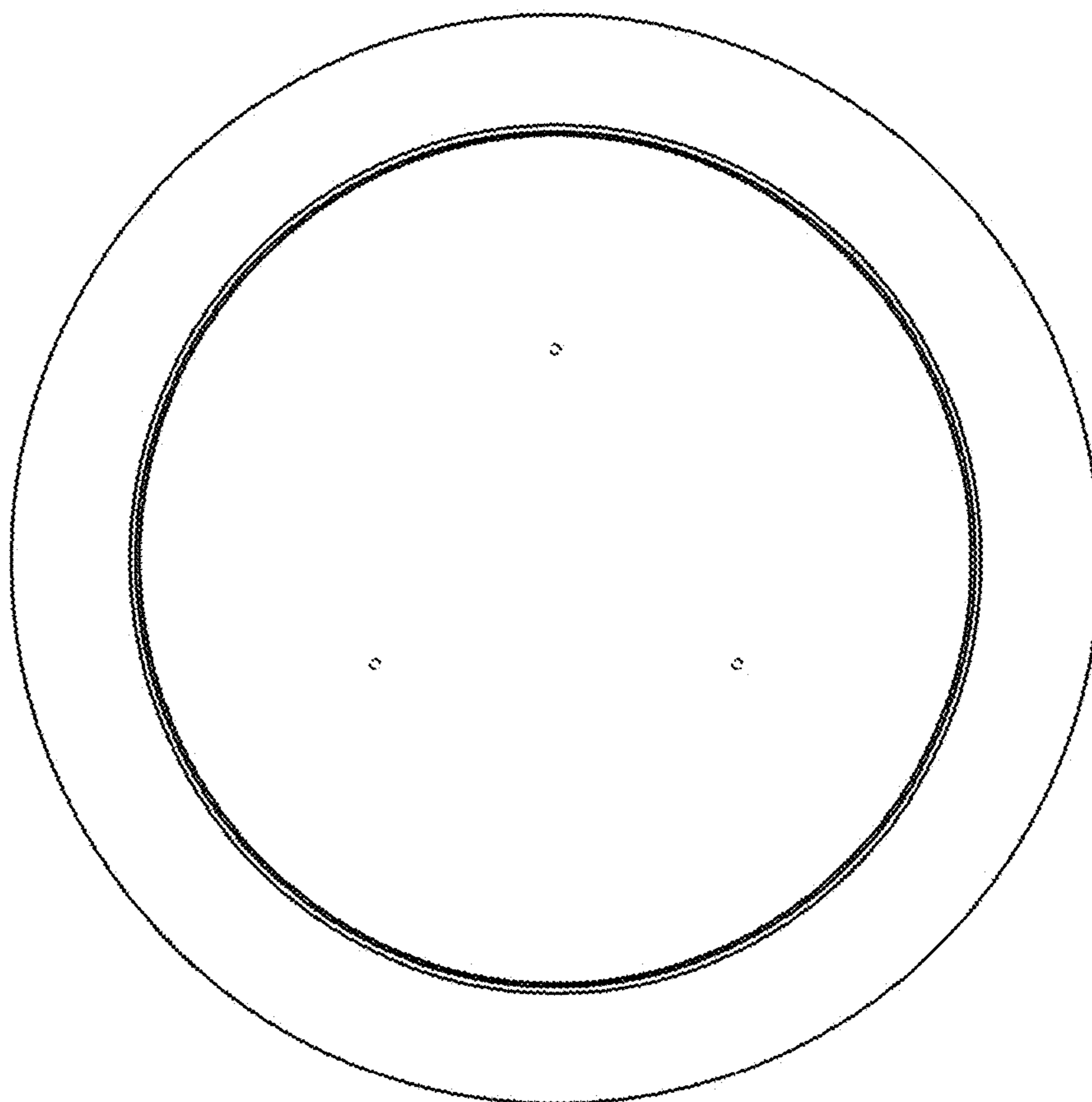
1.4



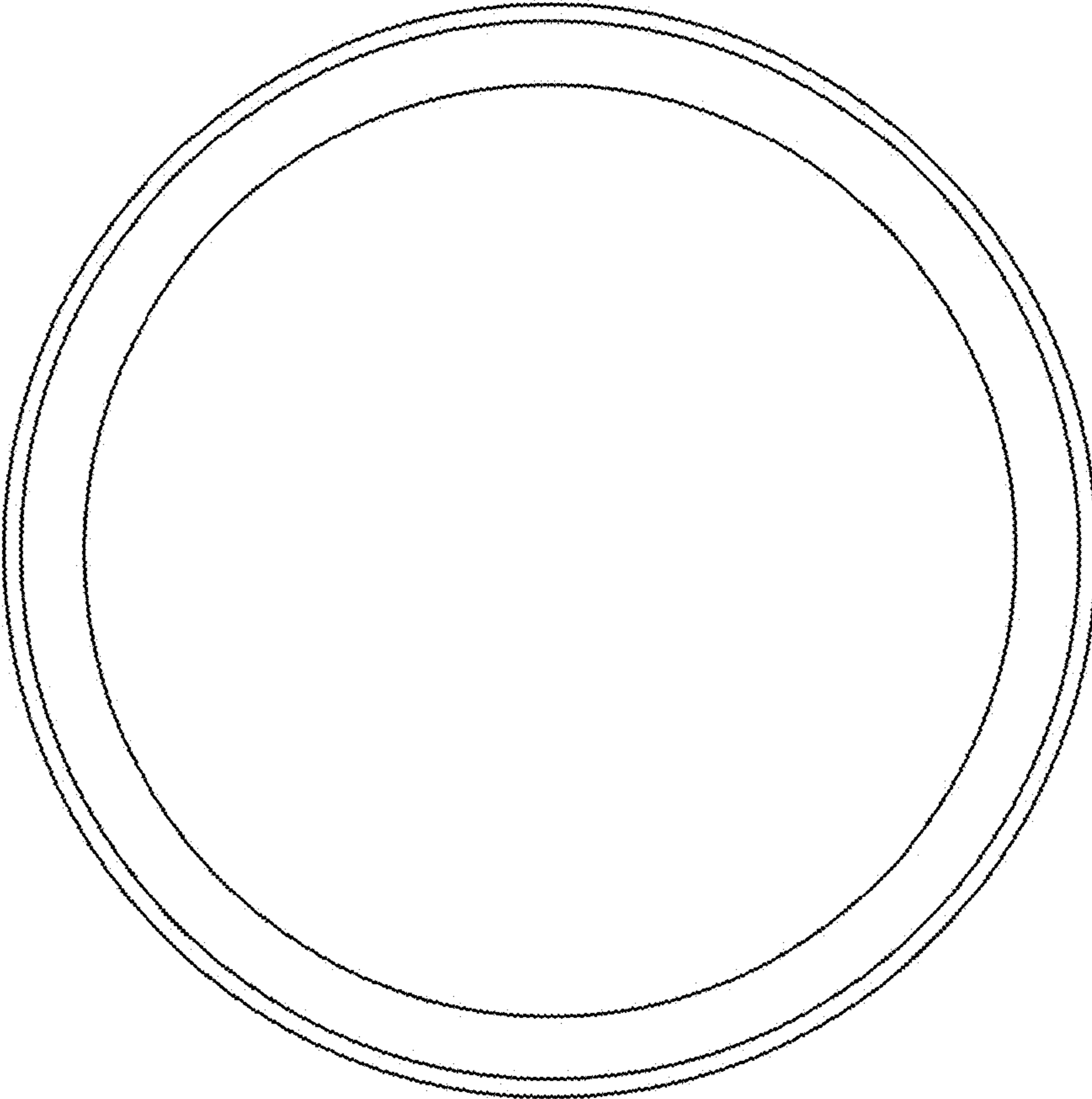
1.5



1.6



1.7



1.8

