



US00D910823S

(12) **United States Design Patent** (10) **Patent No.:** **US D910,823 S**
Zou (45) **Date of Patent:** **** *Feb. 16, 2021**

- (54) **AROMATHERAPY HUMIDIFIER**
- (71) Applicant: **Jinshan Zou**, Shenshen (CN)
- (72) Inventor: **Jinshan Zou**, Shenshen (CN)
- (73) Assignee: **Shenzhen Jing Xin Tai Houseware Co., Ltd.**, Shenzhen (CN)

D685,896 S *	7/2013	Niedermann	D23/356
D692,551 S *	10/2013	Wirz	D23/366
D698,429 S *	1/2014	Jorgensen	D23/366
D698,909 S *	2/2014	Chou	D23/366
D720,063 S *	12/2014	Li	D23/366
D732,653 S *	6/2015	Hsiao	D23/366
D752,807 S *	3/2016	Young	D23/362
D753,279 S *	4/2016	Li	D23/366
D772,391 S *	11/2016	Zimmerli	D23/366

(*) Notice: This patent is subject to a terminal disclaimer.

* cited by examiner

(**) Term: **15 Years**

Primary Examiner — David G Muller

(21) Appl. No.: **29/580,774**

(57) **CLAIM**

(22) Filed: **Oct. 12, 2016**

I claim the ornamental design for an aromatherapy humidifier, as shown and described.

(51) **LOC (13) Cl.** **23-04**

(52) **U.S. Cl.**
USPC **D23/356**

DESCRIPTION

(58) **Field of Classification Search**
CPC .. A61L 9/16; A61L 9/22; B01D 47/00; B01D 47/027; B01D 2221/02; B01D 2259/4508; B03C 3/155; F24F 13/20; F24F 13/222
See application file for complete search history.

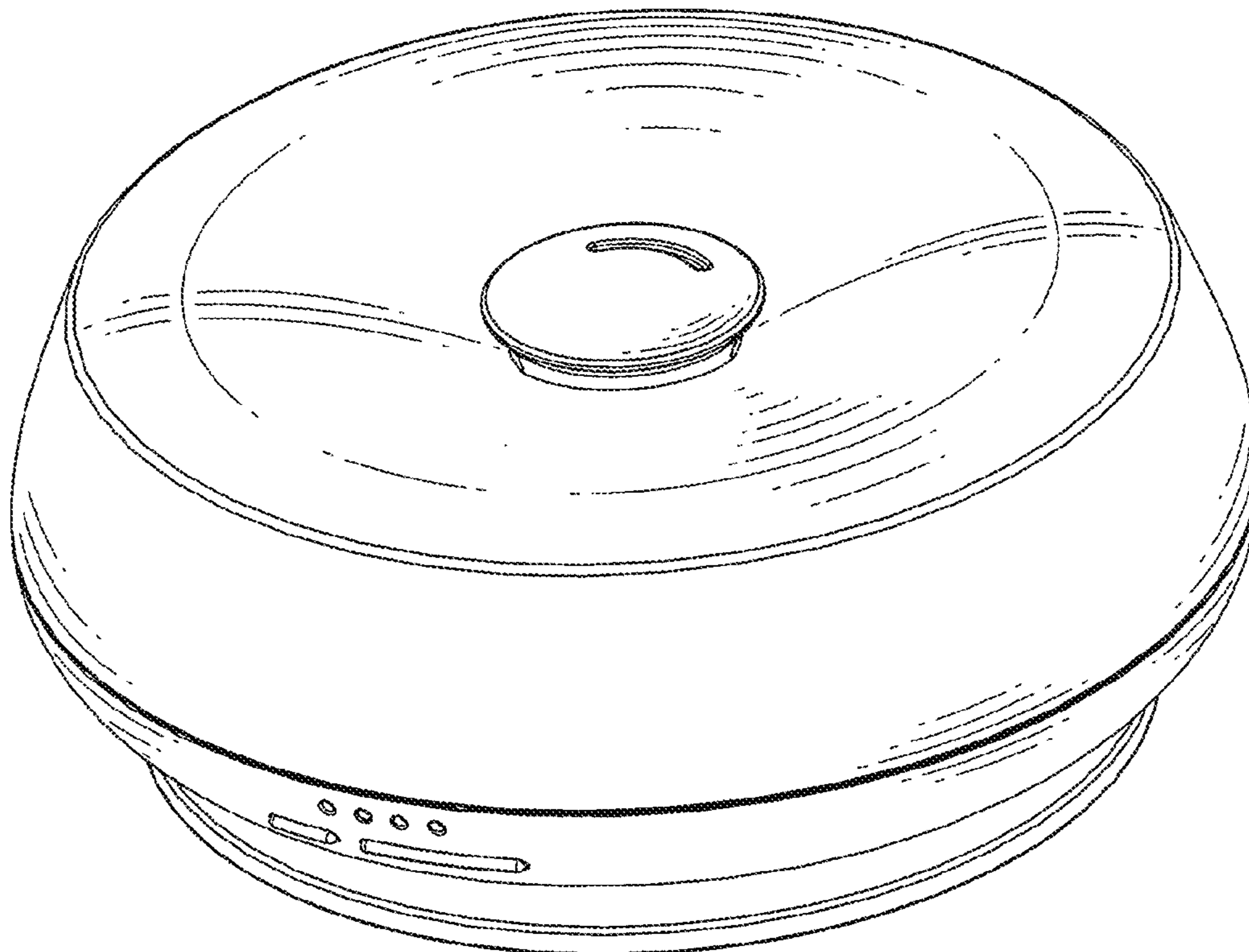
FIG. 1 is a perspective view of an aromatherapy humidifier showing my new design;
FIG. 2 is a front elevational view thereof;
FIG. 3 is a rear elevational view thereof;
FIG. 4 is a left side elevational view thereof;
FIG. 5 is a right side elevational view thereof;
FIG. 6 is a top plan view thereof; and,
FIG. 7 is a bottom plan view thereof.
The broken lines in the drawing illustrates portions of the aromatherapy humidifier that forms no part of the claimed design.

(56) **References Cited**

U.S. PATENT DOCUMENTS

D289,920 S *	5/1987	O'Neil, Jr.	D23/366
D318,613 S *	7/1991	Halm	D23/366
D319,781 S *	9/1991	Halm	D23/366
8,196,903 B2 *	6/2012	Jorgensen	A61L 9/14 239/102.1

1 Claim, 7 Drawing Sheets



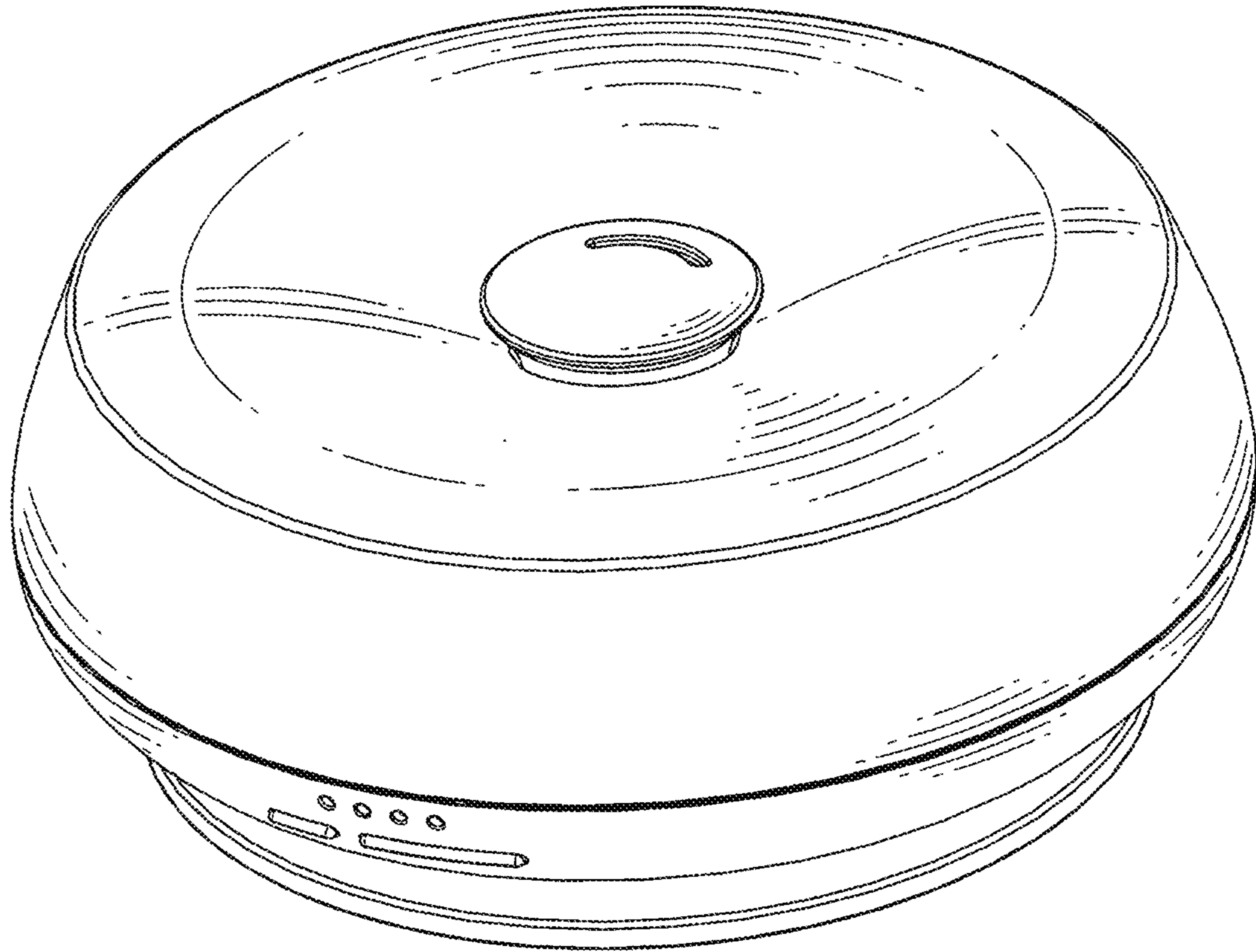


Fig.1

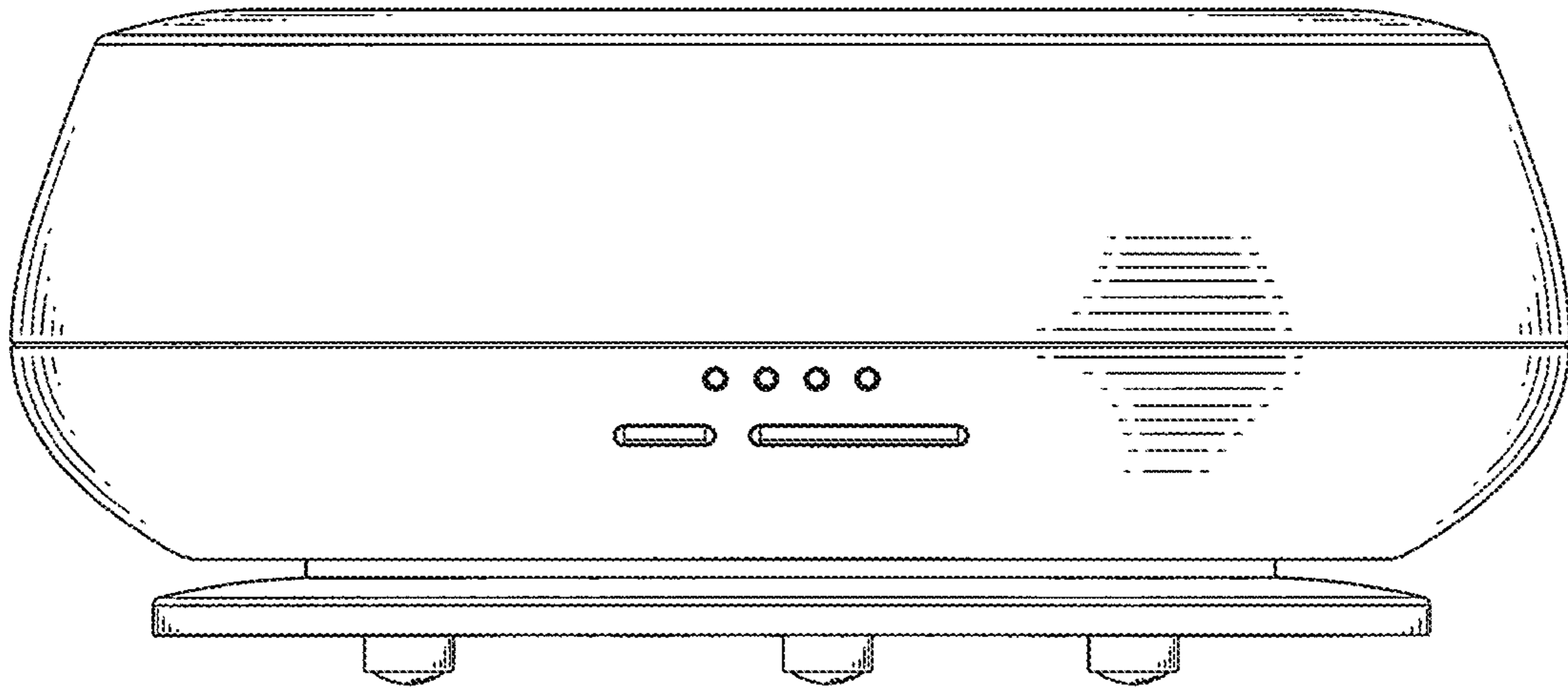


Fig.2

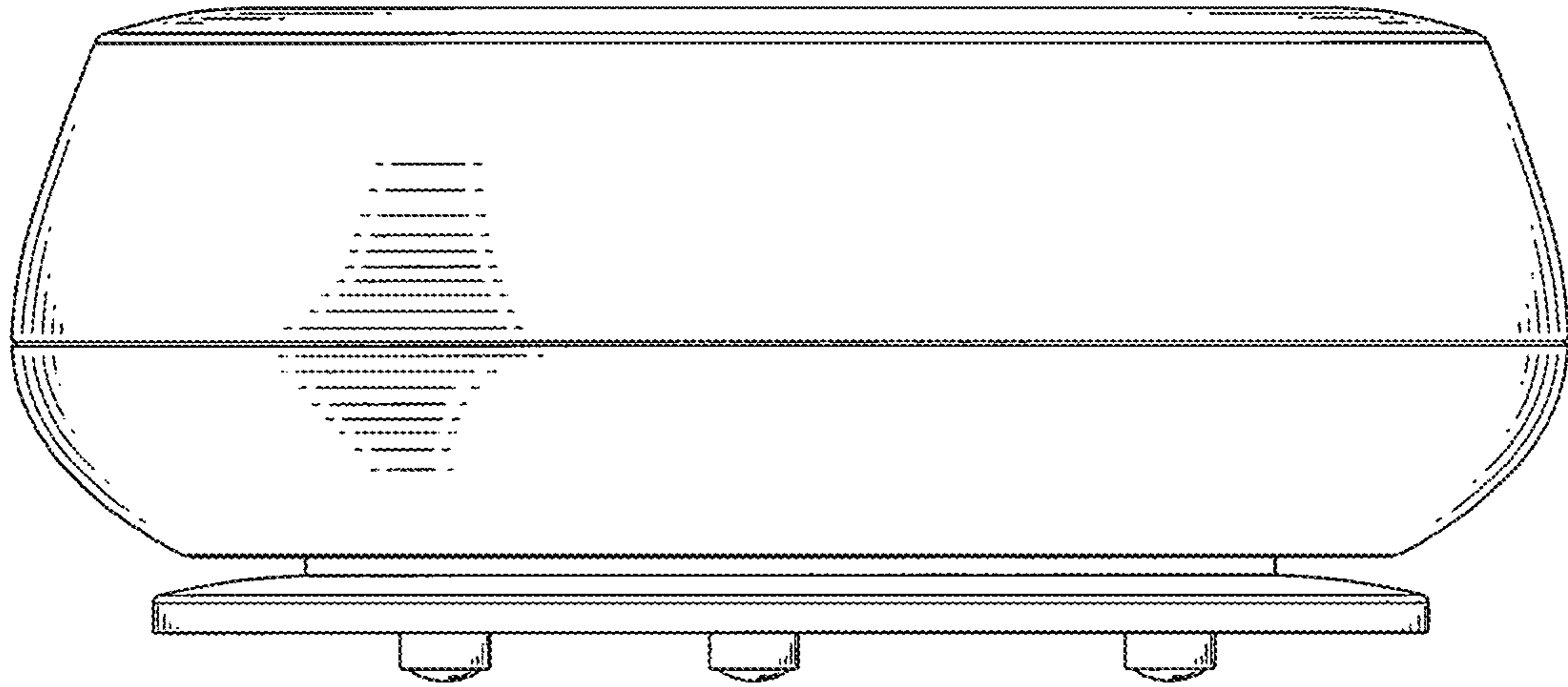


Fig.3

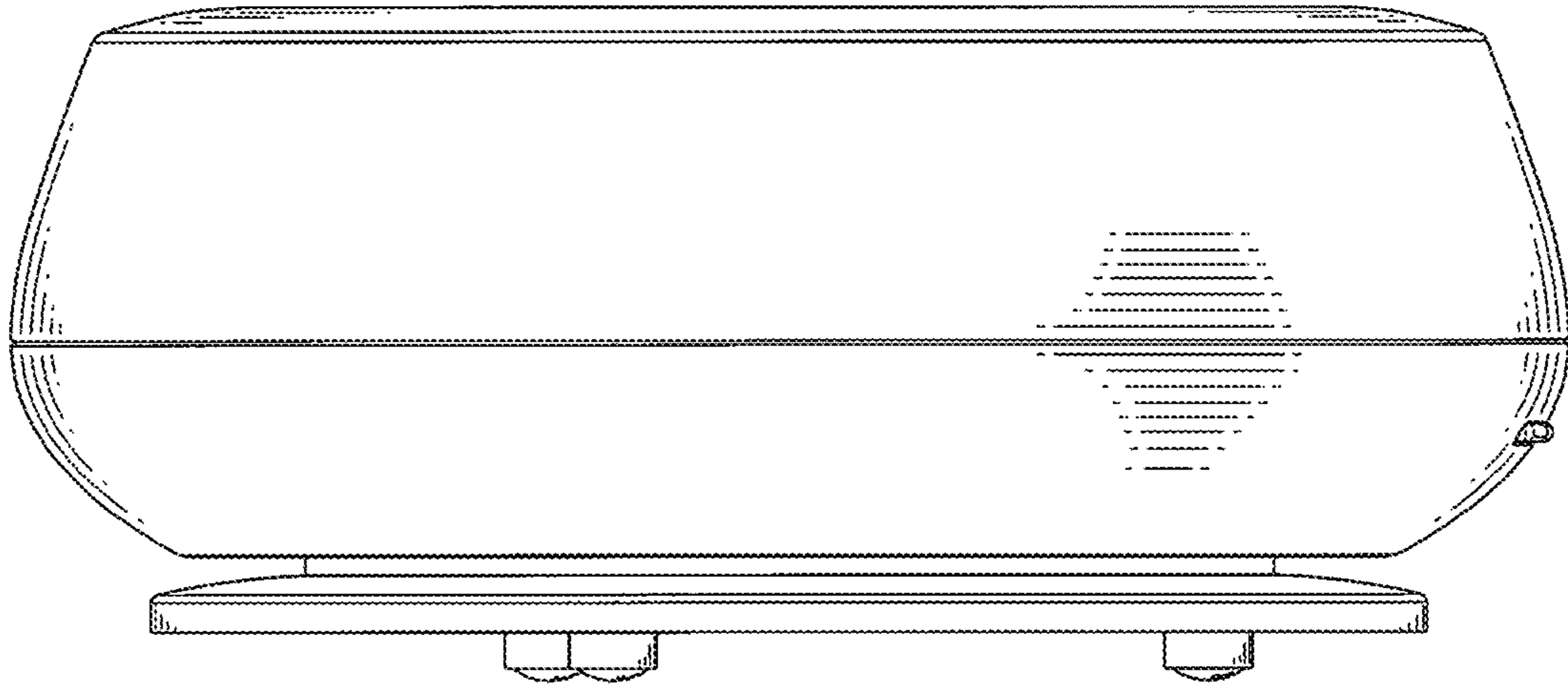


Fig.4

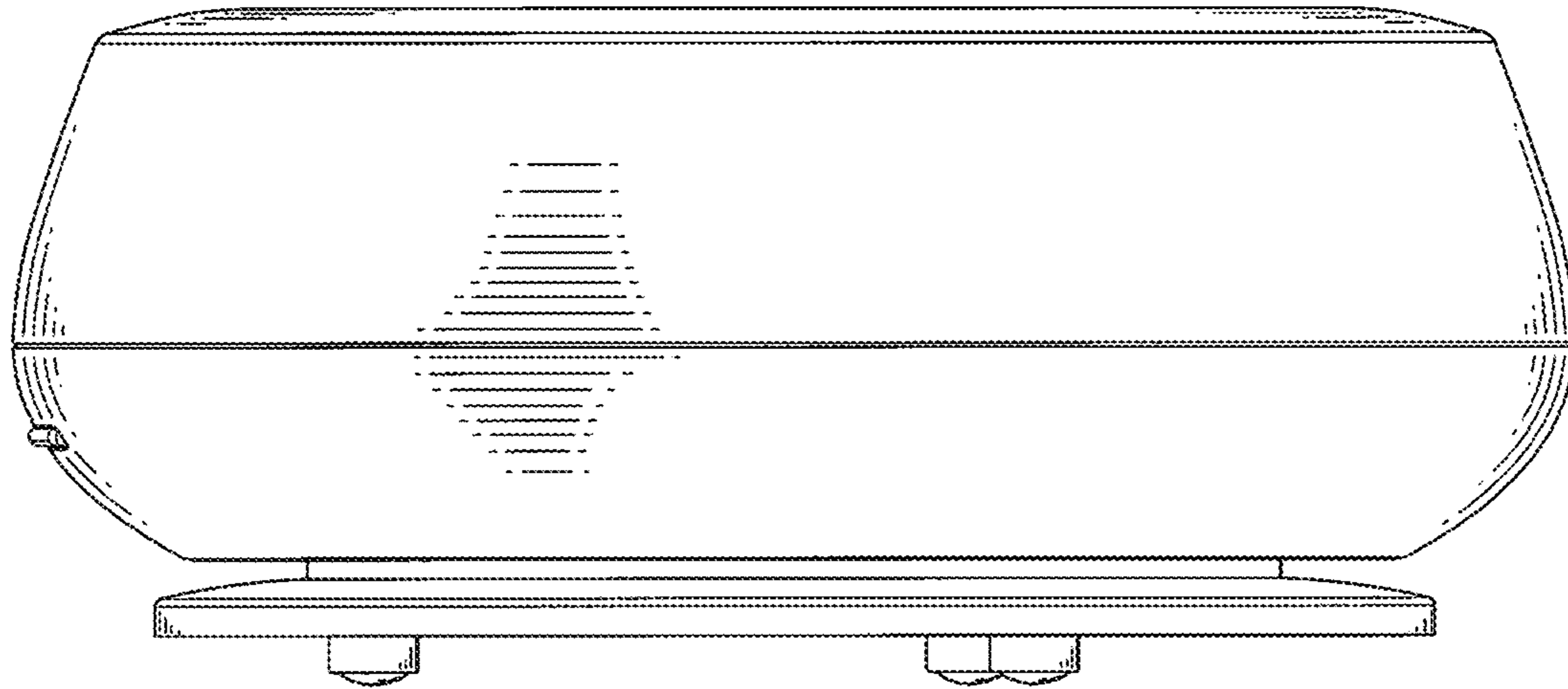


Fig.5

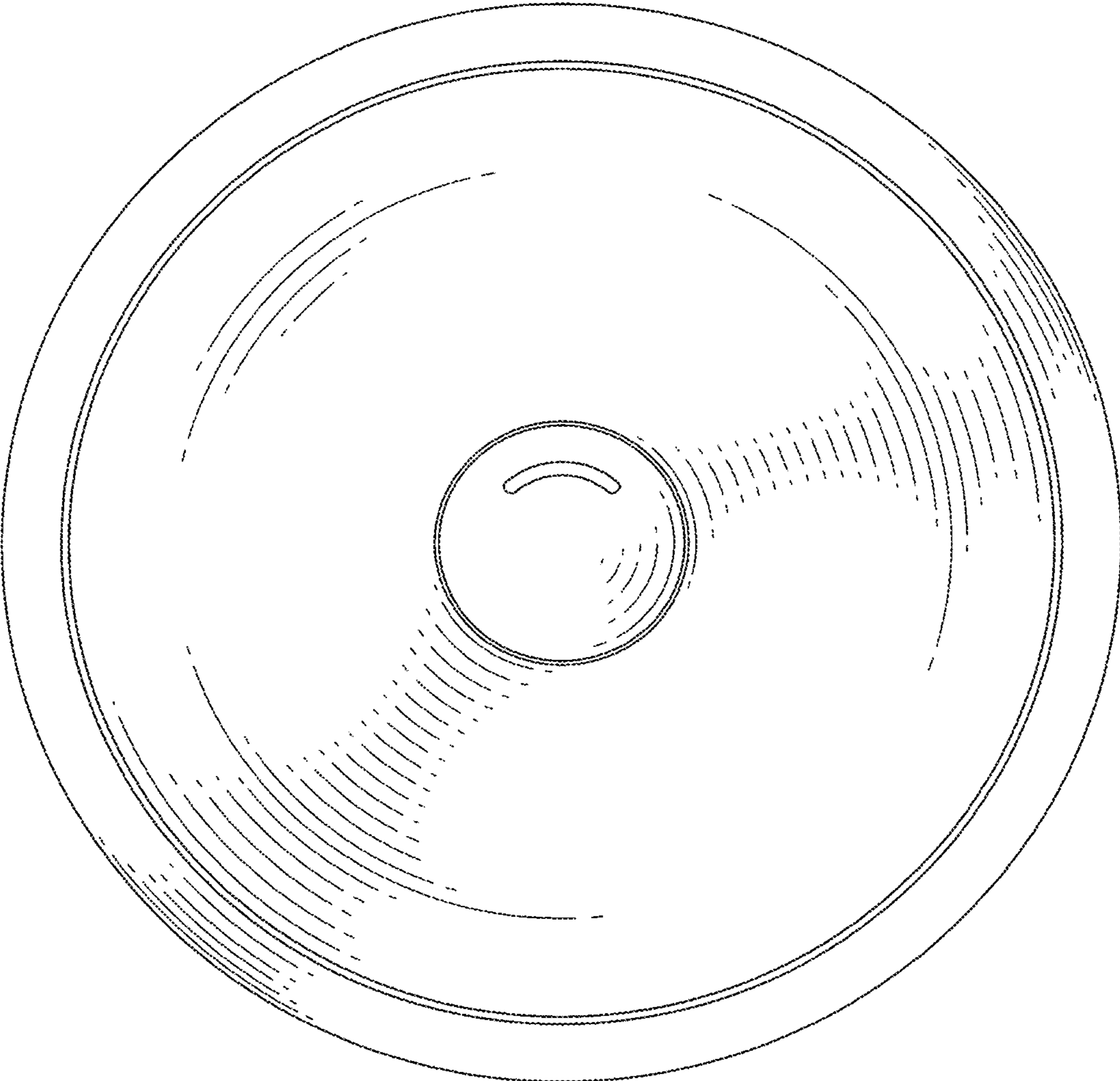


Fig.6

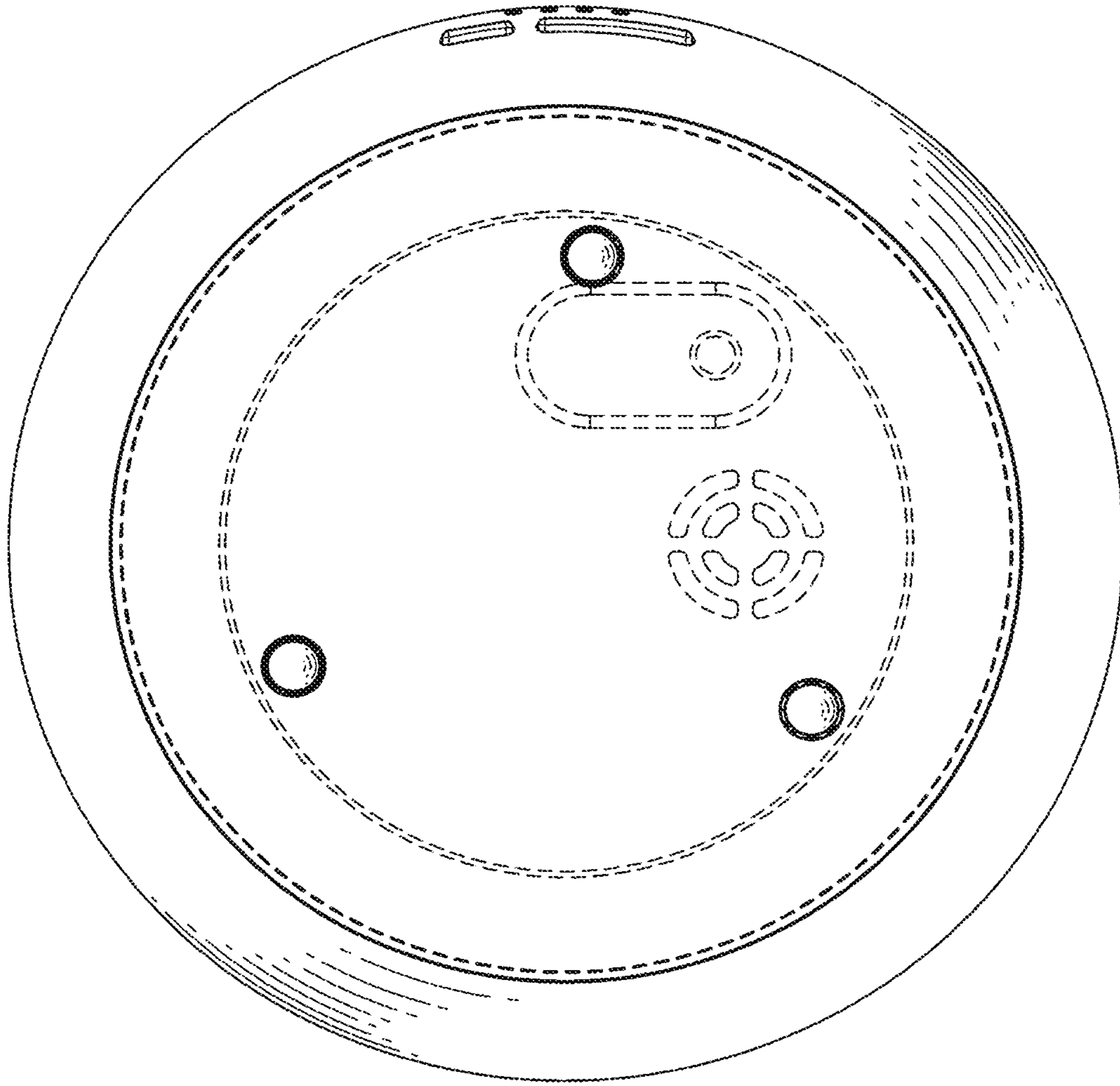


Fig.7