



US00D910821S

(12) **United States Design Patent**
Junfeng et al.

(10) **Patent No.:** **US D910,821 S**

(45) **Date of Patent:** **** Feb. 16, 2021**

- (54) **HEAT EXCHANGER**
- (71) Applicant: **Danfoss Micro Channel Heat Exchanger (Jiaxing) Co., Ltd., Zhejiang (CN)**
- (72) Inventors: **Jin Junfeng, Zhejiang (CN); Wei Wenjian, Zhejiang (CN); Lu Xiangxun, Zhejiang (CN); Wu Yuye, Zhejiang (CN)**
- (73) Assignee: **DANFOSS MICRO CHANNEL HEAT EXCHANGER (JIAXING) CO., LTD., Zhejiang (CN)**

D787,033 S	5/2017	Huan et al.	
D827,795 S	9/2018	Junfeng	
D828,910 S	9/2018	Huan et al.	
D829,874 S	10/2018	Junfeng	
10,132,538 B2	11/2018	Fritz	
D839,404 S *	1/2019	Junfeng	D23/323
D844,763 S *	4/2019	Huan	D23/323
D845,454 S *	4/2019	Junfeng	D23/323
D849,215 S *	5/2019	Huan	D23/323
D849,216 S *	5/2019	Huan	D23/323
D852,338 S *	6/2019	Huan	D23/323
D852,339 S *	6/2019	Huan	D23/323
D853,541 S *	7/2019	Huan	D23/323
10,584,921 B2	3/2020	Steinbach et al.	
10,612,856 B2	4/2020	Jin et al.	
2007/0204978 A1	9/2007	Beamer	
2008/0141686 A1*	6/2008	Valiya-Naduvath	D25B 39/028 62/115
2008/0173434 A1	7/2008	Matter et al.	

(**) Term: **15 Years**

(21) Appl. No.: **29/589,858**

(22) Filed: **Jan. 5, 2017**

(30) **Foreign Application Priority Data**

Aug. 26, 2016 (CN) 201630427129.0

(51) **LOC (13) Cl.** **23-03**

(52) **U.S. Cl.**
USPC **D23/323**

(58) **Field of Classification Search**
USPC D23/323, 322, 324, 325, 326, 327, 330, D23/386, 352, 354
CPC F28F 1/06; F28F 1/16; F28F 1/21; F28F 9/02; F28D 1/047; F28D 13/12; F28D 7/06; F28D 7/10; F28D 2001/0266; B21D 53/02; F28B 1/06
See application file for complete search history.

(56) **References Cited**

U.S. PATENT DOCUMENTS

5,910,167 A	6/1999	Reinke et al.
D613,841 S	4/2010	Bhatti

(Continued)

Primary Examiner — Ania Aman

(74) *Attorney, Agent, or Firm* — McCormick, Paulding & Huber PLLC

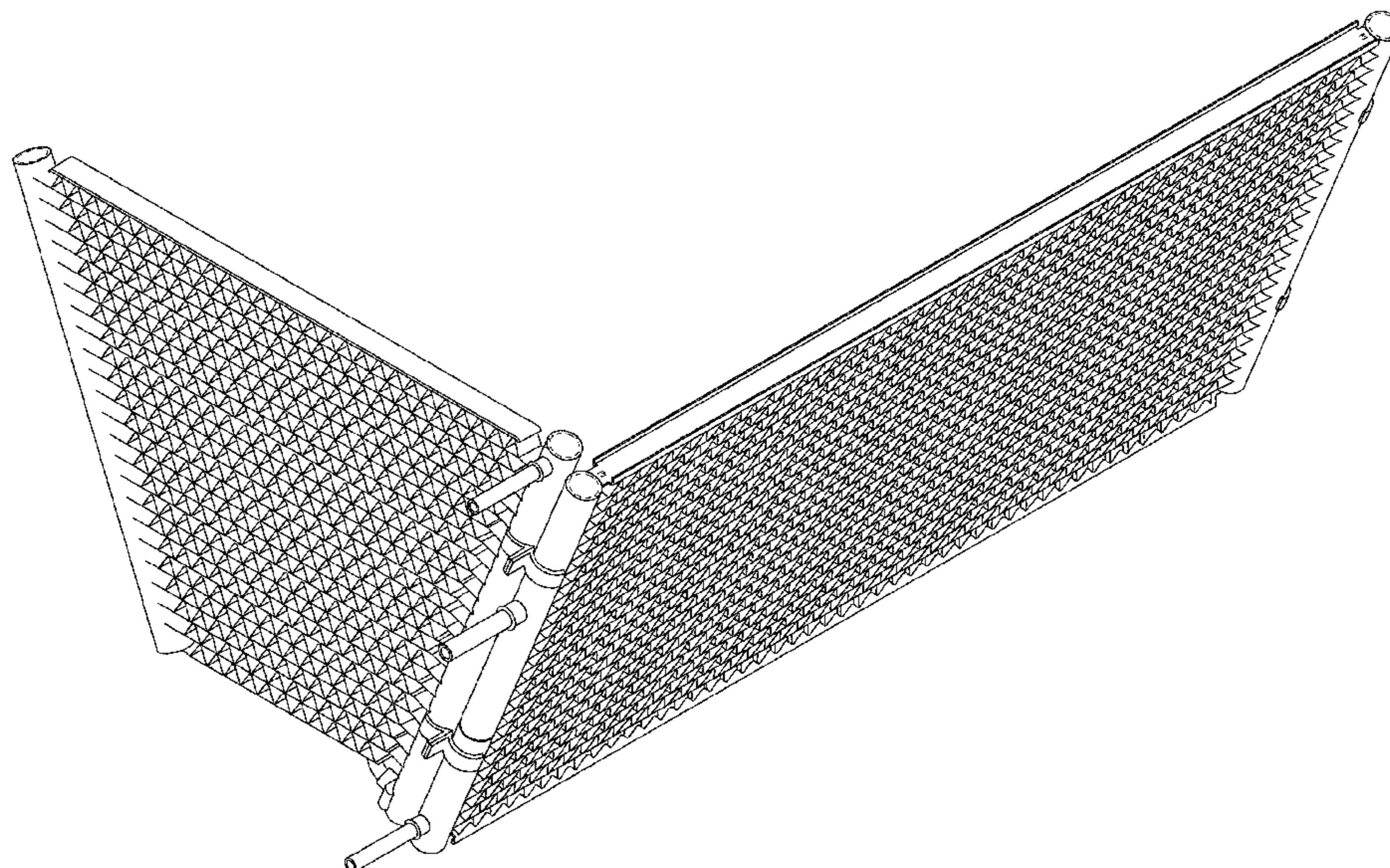
(57) **CLAIM**

The ornamental design for a heat exchanger, substantially as shown and described.

DESCRIPTION

FIG. 1 is a front, left side and top perspective view of a heat exchanger comprising a new, original and ornamental design;
FIG. 2 is a front view thereof;
FIG. 3 is a rear view thereof;
FIG. 4 is a left side view thereof;
FIG. 5 is a right side view thereof;
FIG. 6 is a top view thereof; and,
FIG. 7 is a bottom view thereof.
The broken lines shown represent portions of the heat exchanger and form no part of the claimed design.

1 Claim, 7 Drawing Sheets



(56)

References Cited

U.S. PATENT DOCUMENTS

2010/0006276	A1*	1/2010	Cremaschi	B21D 53/085 165/175
2010/0132922	A1	6/2010	Meyer, IV et al.	
2010/0276129	A1*	11/2010	Bodas	F01K 9/00 165/157
2011/0139425	A1	6/2011	Beamer	
2011/0232884	A1	9/2011	Jiang et al.	
2011/0315362	A1	12/2011	Jiang et al.	
2012/0227944	A1	9/2012	Moisidis et al.	
2014/0366571	A1	12/2014	Gao et al.	
2015/0323229	A1	11/2015	Kim et al.	
2017/0051981	A1	2/2017	Singh et al.	
2017/0108278	A1*	4/2017	Yanik	F25B 39/00
2017/0115066	A1	4/2017	Adomat	
2017/0205085	A1*	7/2017	Lu	F28F 1/22
2017/0234587	A1*	8/2017	Jindou	F28F 9/02 62/527
2018/0100701	A1*	4/2018	Beaver	F28D 1/0478
2018/0299205	A1*	10/2018	Rahhal	F28D 1/0475
2019/0154342	A1*	5/2019	Jin	F28D 1/0443
2019/0186783	A1	6/2019	Jin et al.	

* cited by examiner

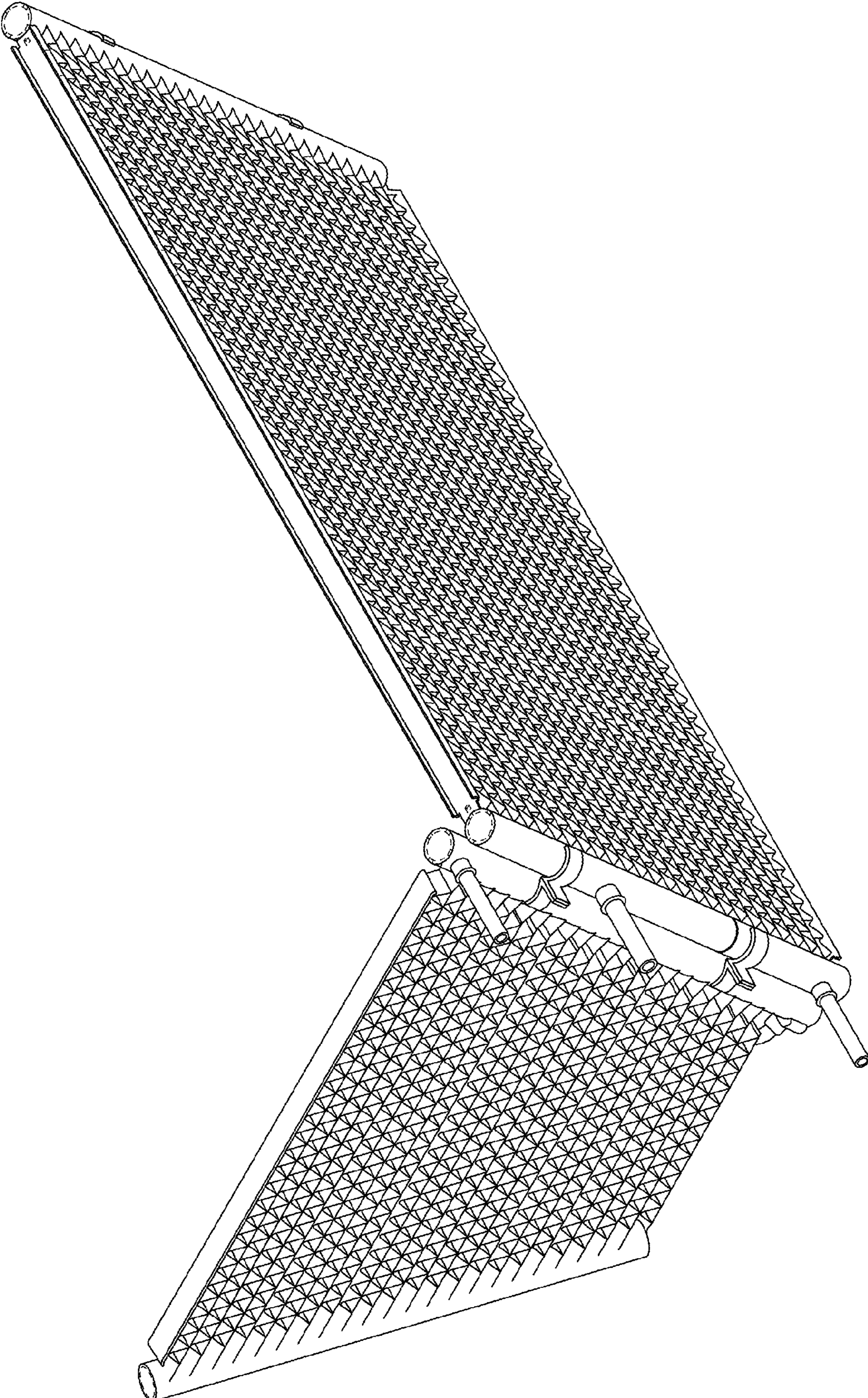


FIG. 1

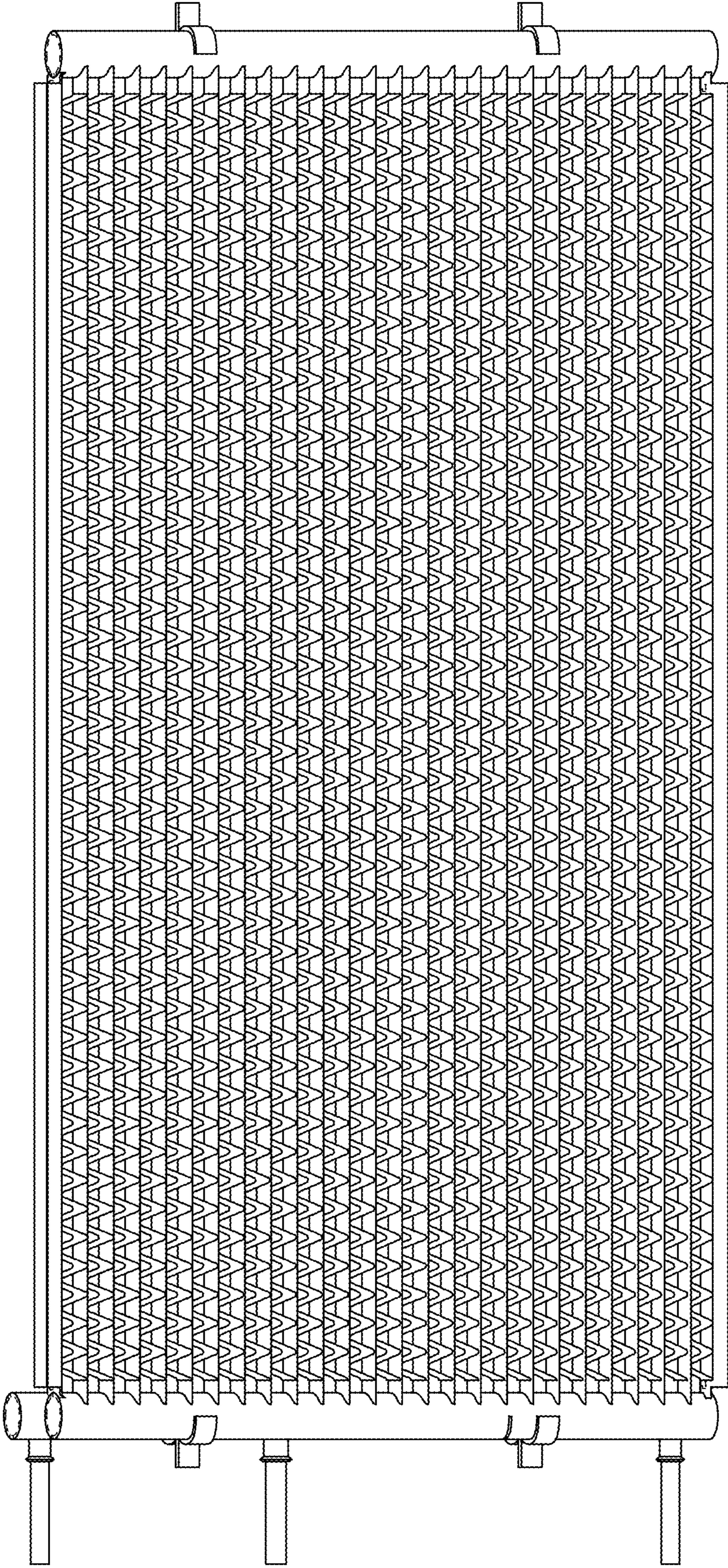


FIG. 2

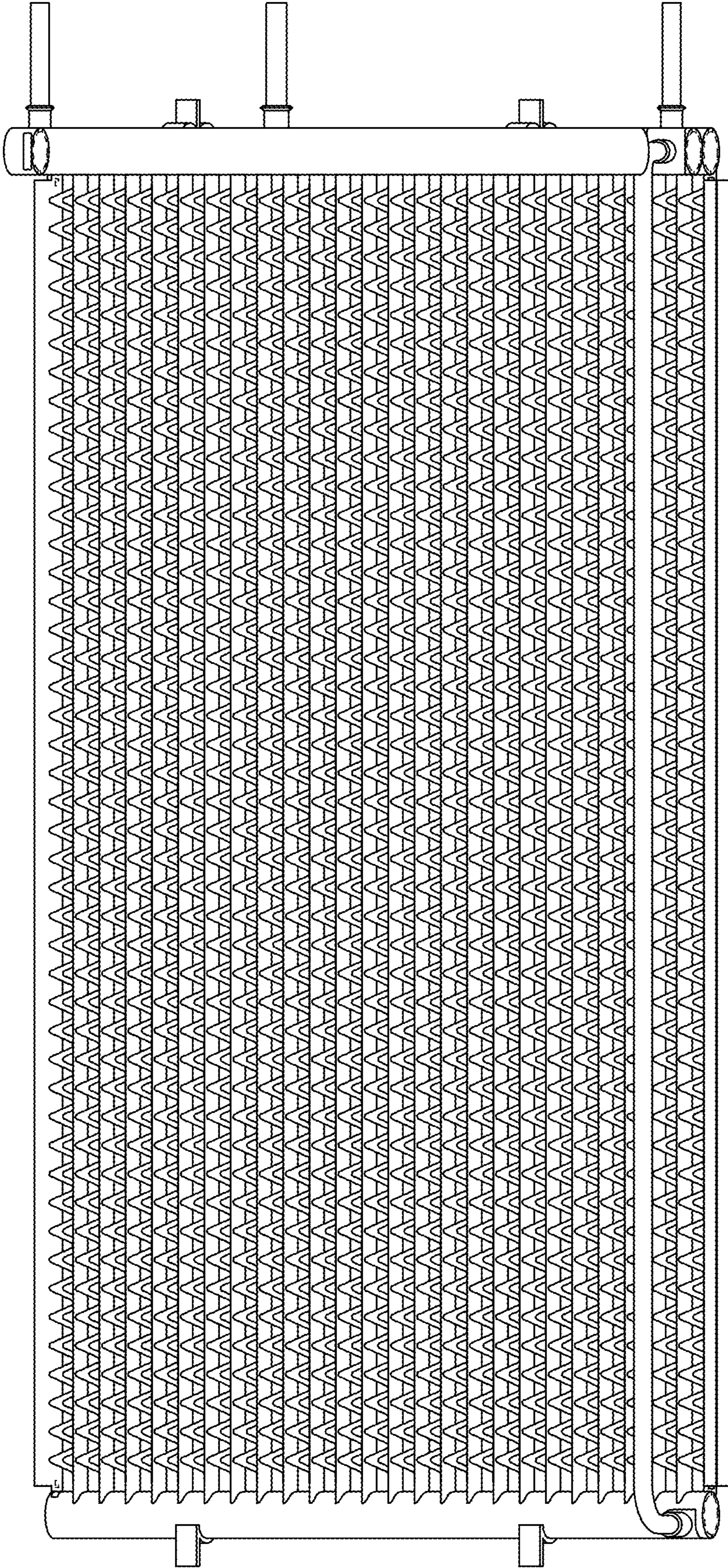


FIG. 3

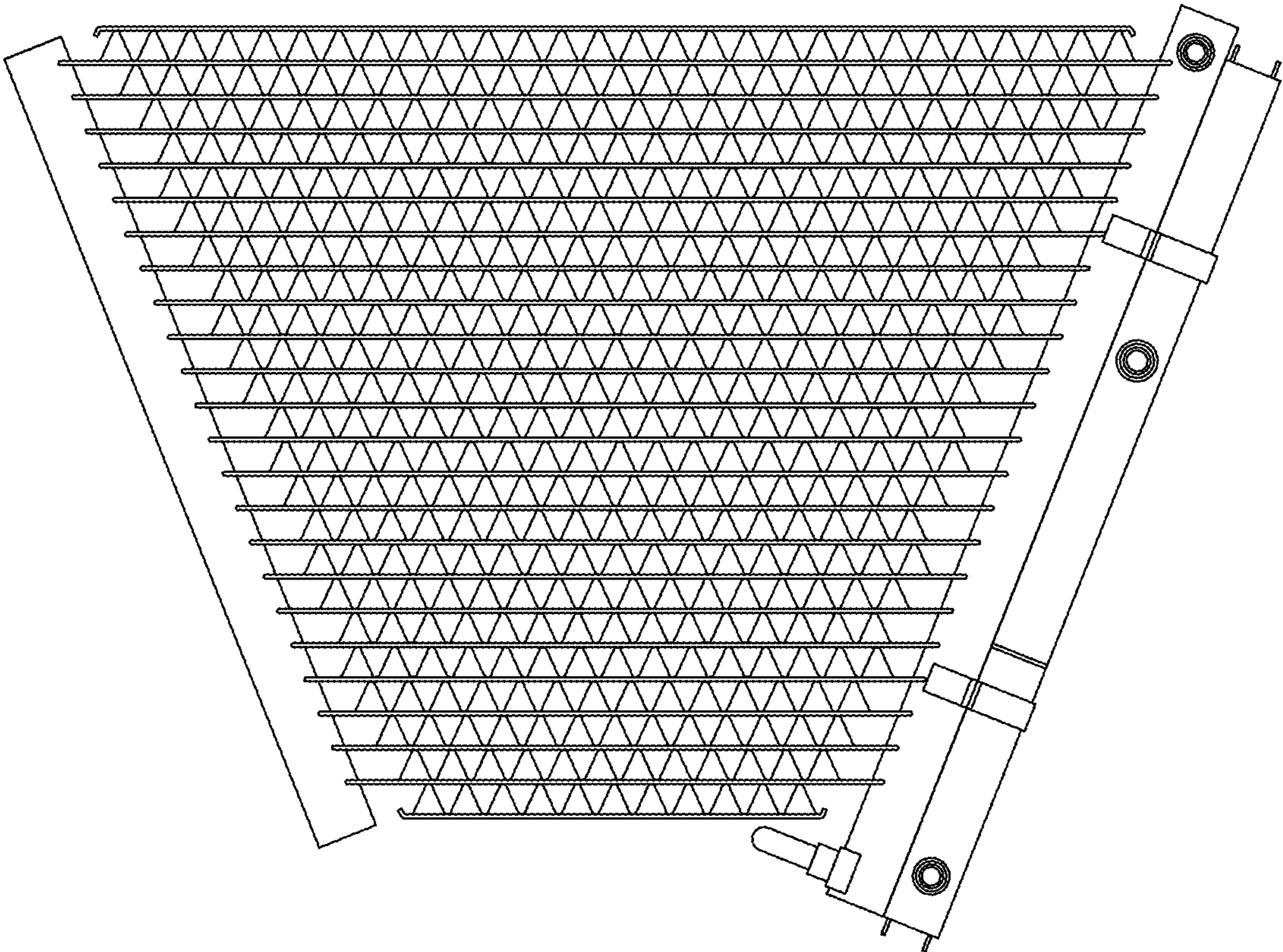


FIG. 4

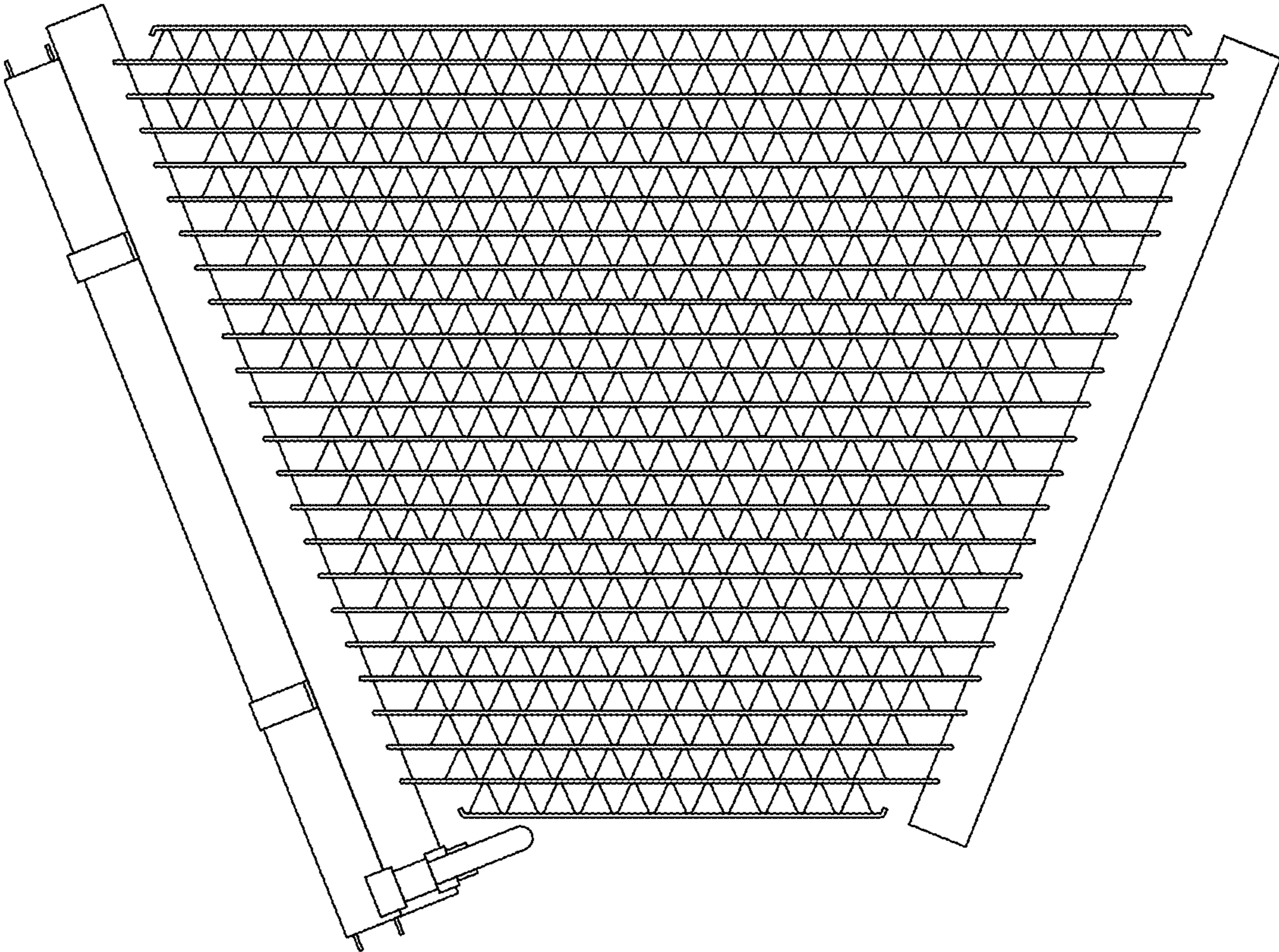


FIG. 5

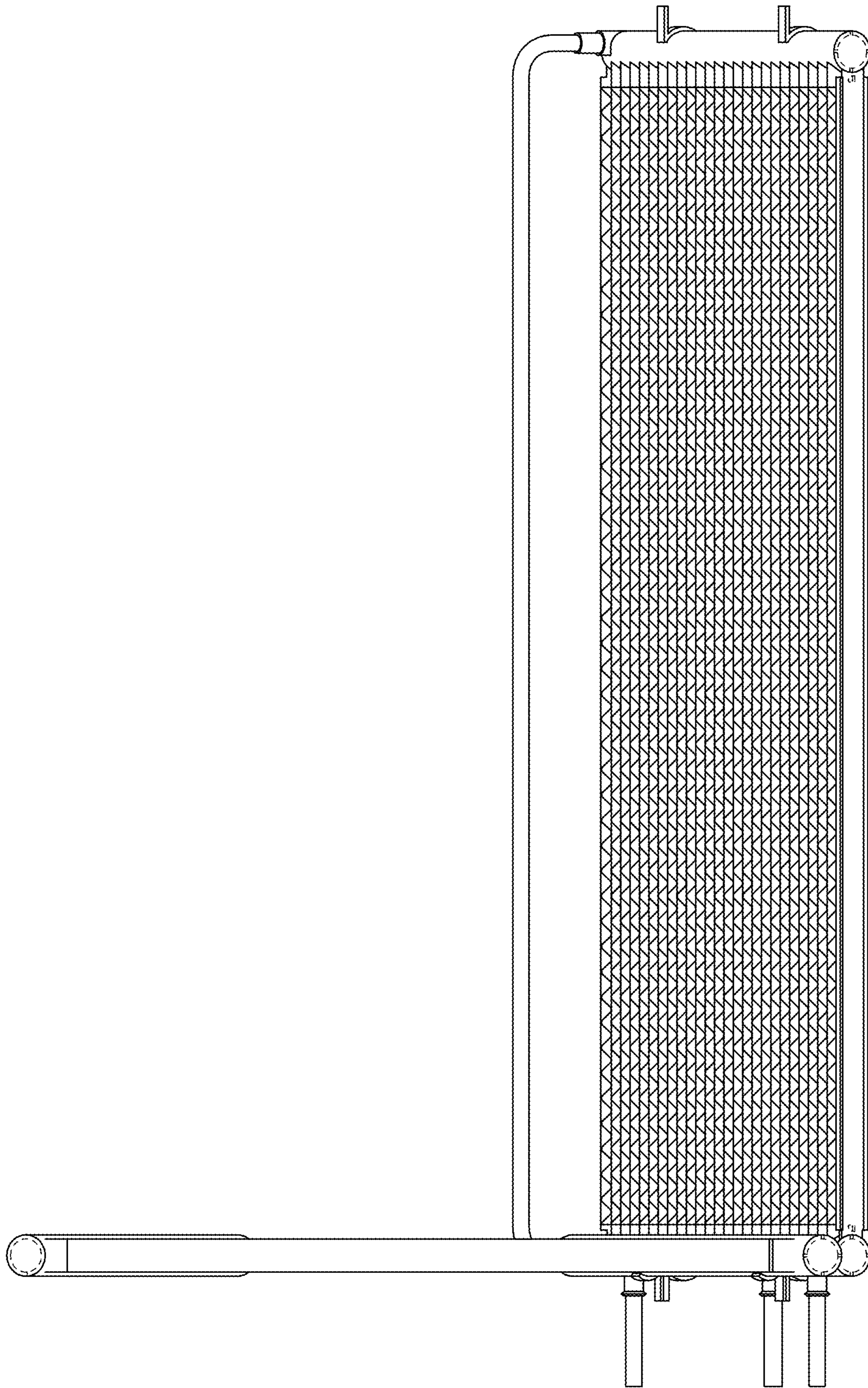


FIG. 6

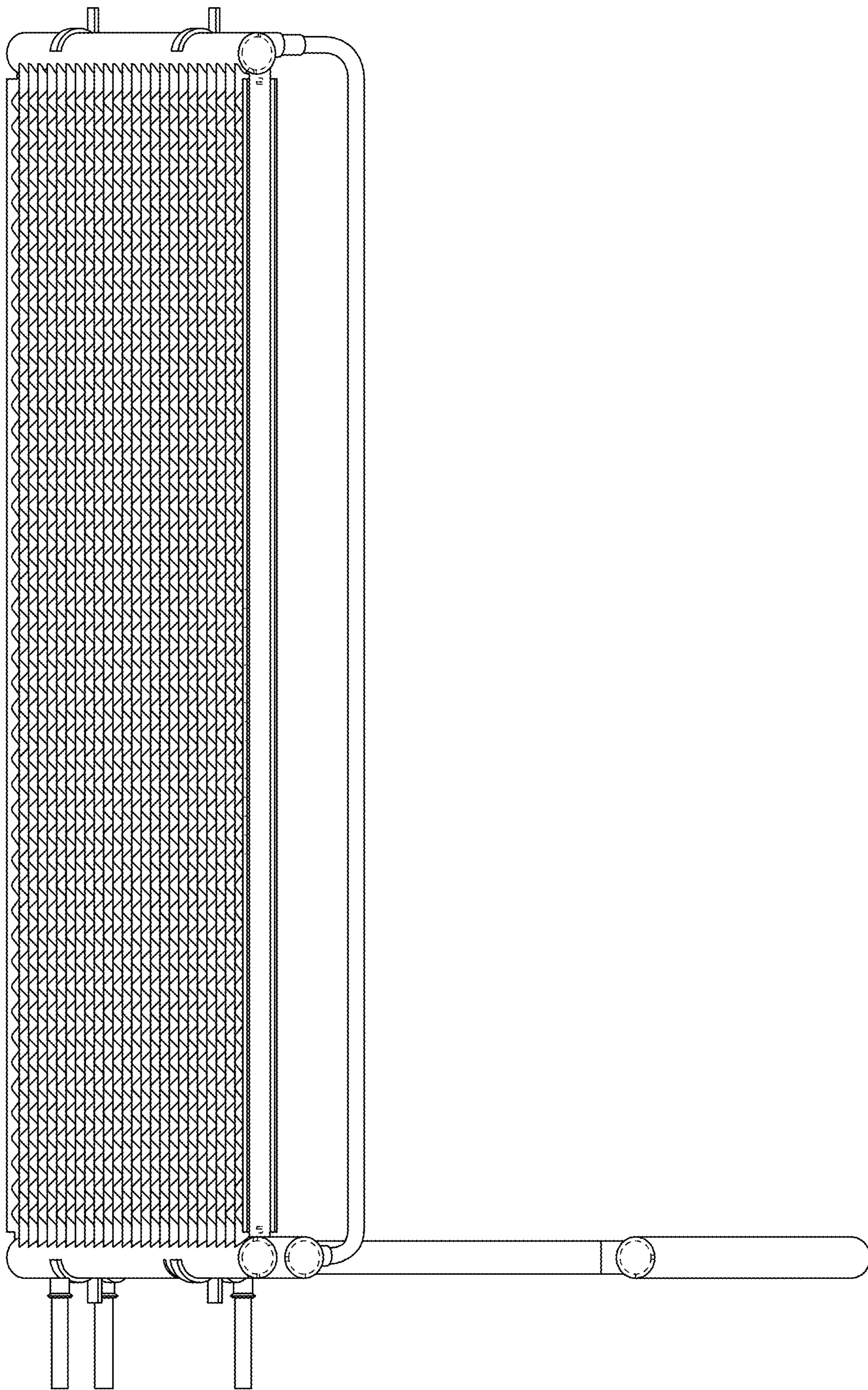


FIG. 7