



US00D910820S

(12) **United States Design Patent**
Grassl

(10) **Patent No.:** **US D910,820 S**

(45) **Date of Patent:** **** Feb. 16, 2021**

(54) **VALVE SEAT**

(71) Applicant: **Diamond Innovations Inc.,**
Worthington, OH (US)

(72) Inventor: **Paul Grassl,** Hale, MI (US)

(73) Assignee: **DIAMOND INNOVATIONS, INC.,**
Worthington, OH (US)

(**) Term: **15 Years**

(21) Appl. No.: **29/703,583**

(22) Filed: **Aug. 28, 2019**

(51) **LOC (13) Cl.** **23-01**

(52) **U.S. Cl.**
USPC **D23/269**

(58) **Field of Classification Search**
USPC D23/233, 249, 269; D15/123
CPC F16K 25/005; F16K 1/42; F16K 1/2263;
F16K 1/36; F16K 1/443; F16K 25/04;
F16K 3/0227; F16K 1/2261; F16K 1/46;
F16K 1/465

See application file for complete search history.

(56) **References Cited**

U.S. PATENT DOCUMENTS

D442,609 S * 5/2001 Quantz D15/123
D700,682 S * 3/2014 Bayyouk D23/233

D748,228 S * 1/2016 Bayyouk D23/269
D787,029 S * 5/2017 Bayyouk D23/269
D802,104 S * 11/2017 Nagahamaya D23/269
10,344,757 B1 * 7/2019 Stark F04B 53/1087
D856,498 S * 8/2019 Bayyouk D23/269

* cited by examiner

Primary Examiner — Gino Colan

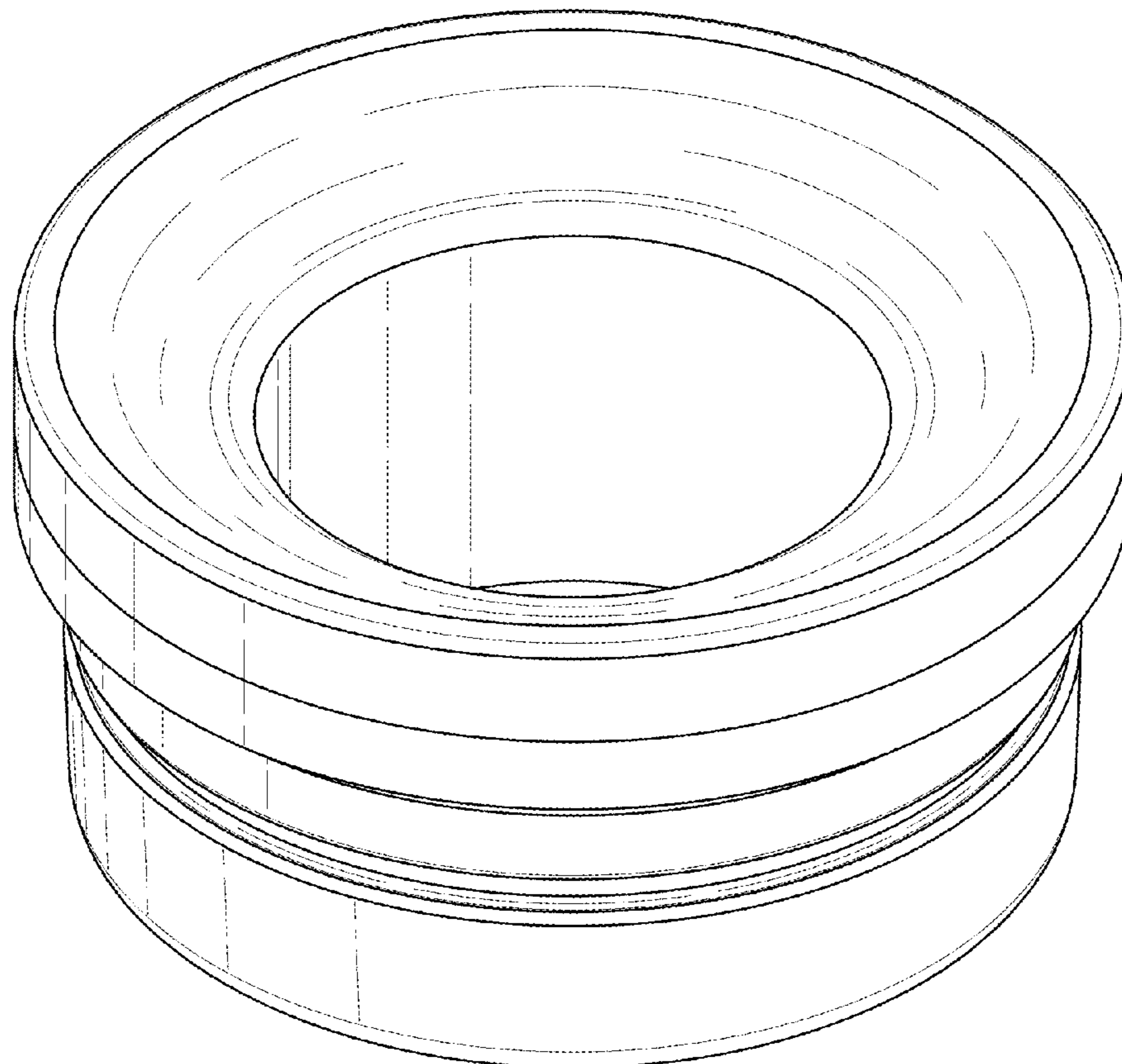
(57) **CLAIM**

What is claimed is the ornamental design for a valve seat, as shown and described.

DESCRIPTION

FIG. 1 is a perspective view of a valve seat comprising a first component positioned within a second component, where the first component can be fabricated from a carbide and the second component can be fabricated from steel;
FIG. 2 is a front view of the valve seat of FIG. 1;
FIG. 3 is a rear view of the valve seat of FIG. 1;
FIG. 4 is a left side view of the valve seat of FIG. 1;
FIG. 5 is a right side view of the valve seat of FIG. 1;
FIG. 6 is a top view of the valve seat of FIG. 1;
FIG. 7 is a bottom view of the valve seat of FIG. 1;
FIG. 8 is an exploded perspective view of the valve seat of FIG. 1; and,
FIG. 9 is a cross-sectional view of the valve seat of FIG. 1 taken along the line 9-9 as illustrated in FIG. 6.

1 Claim, 9 Drawing Sheets



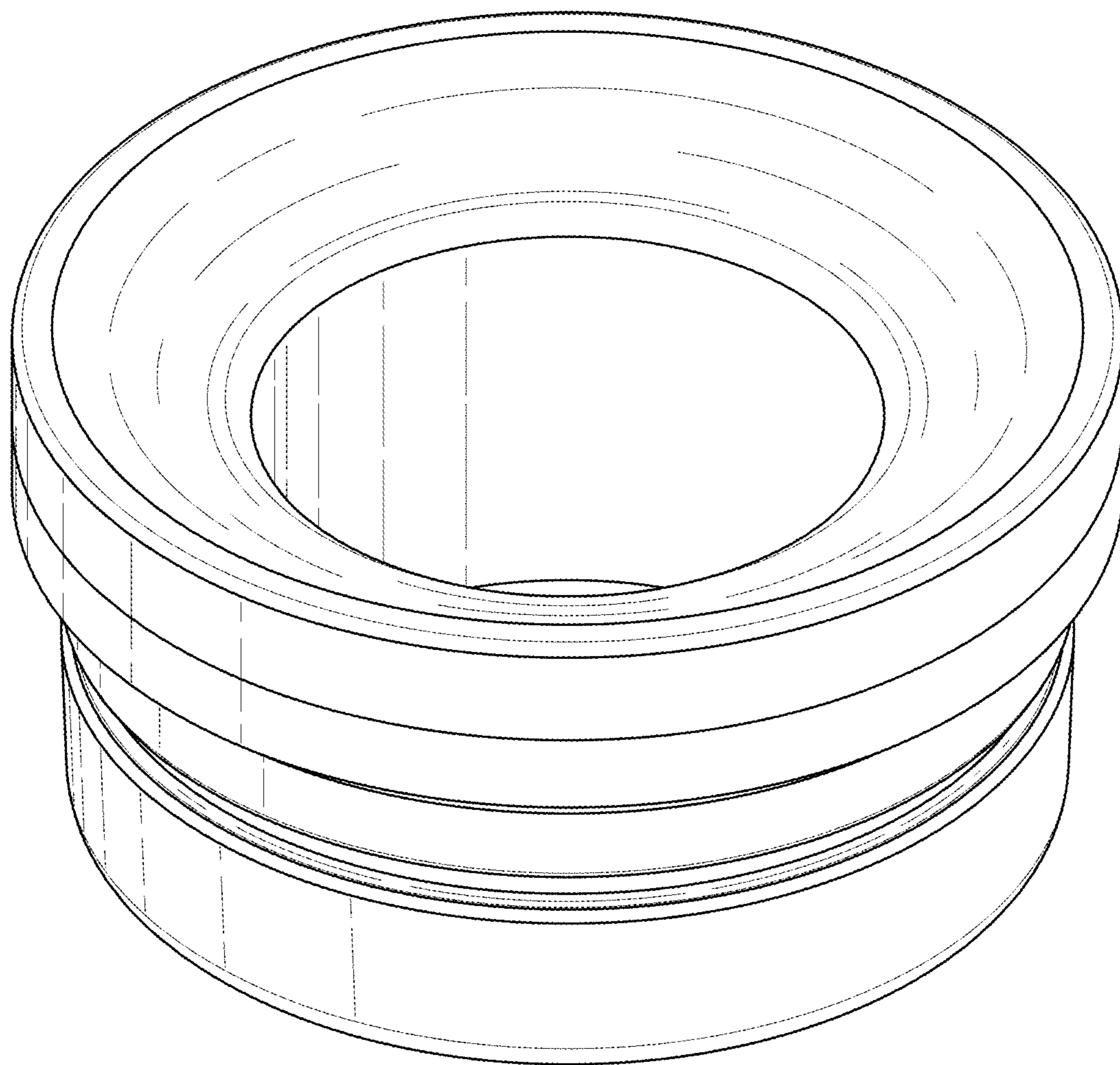


FIG. 1

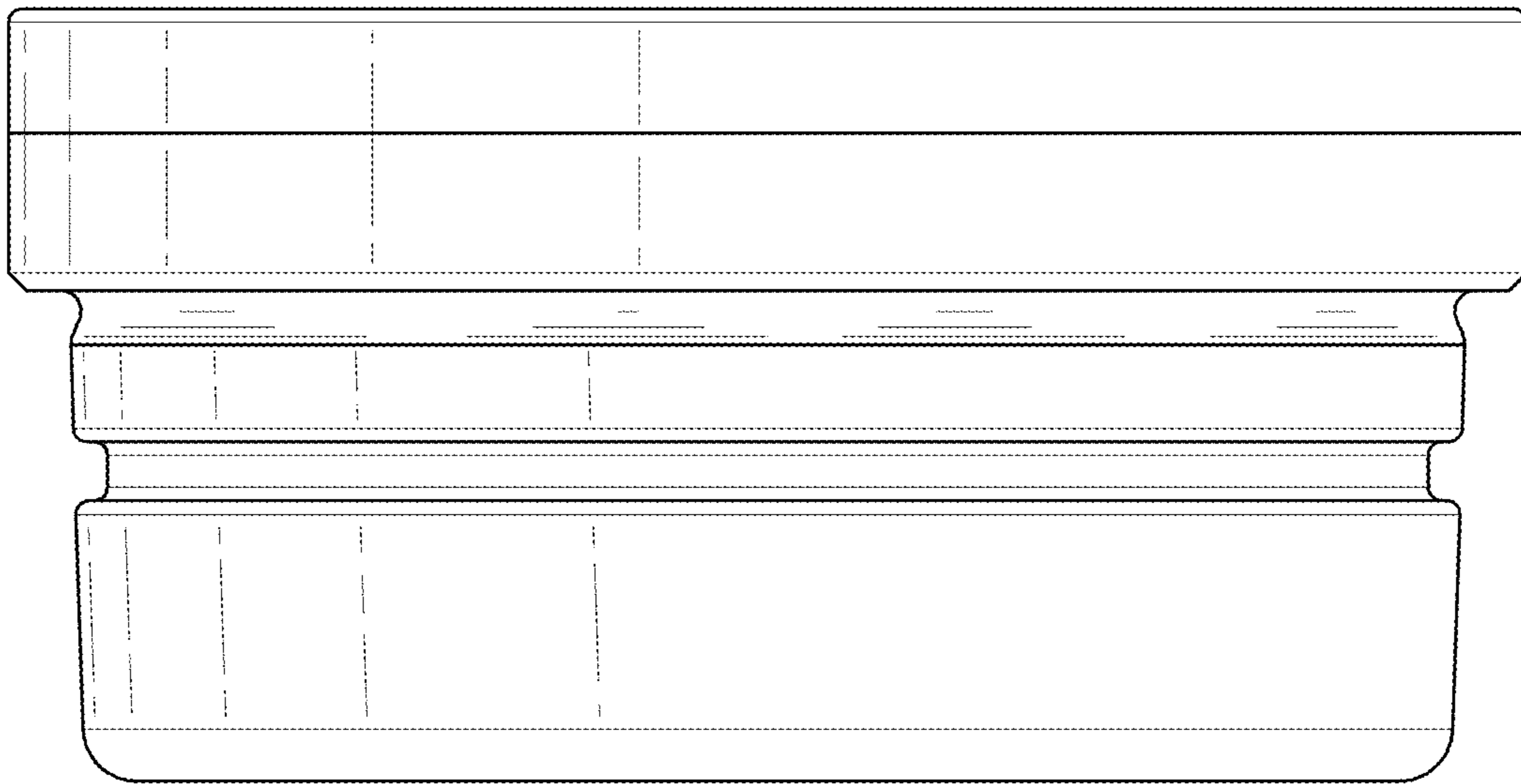


FIG. 2

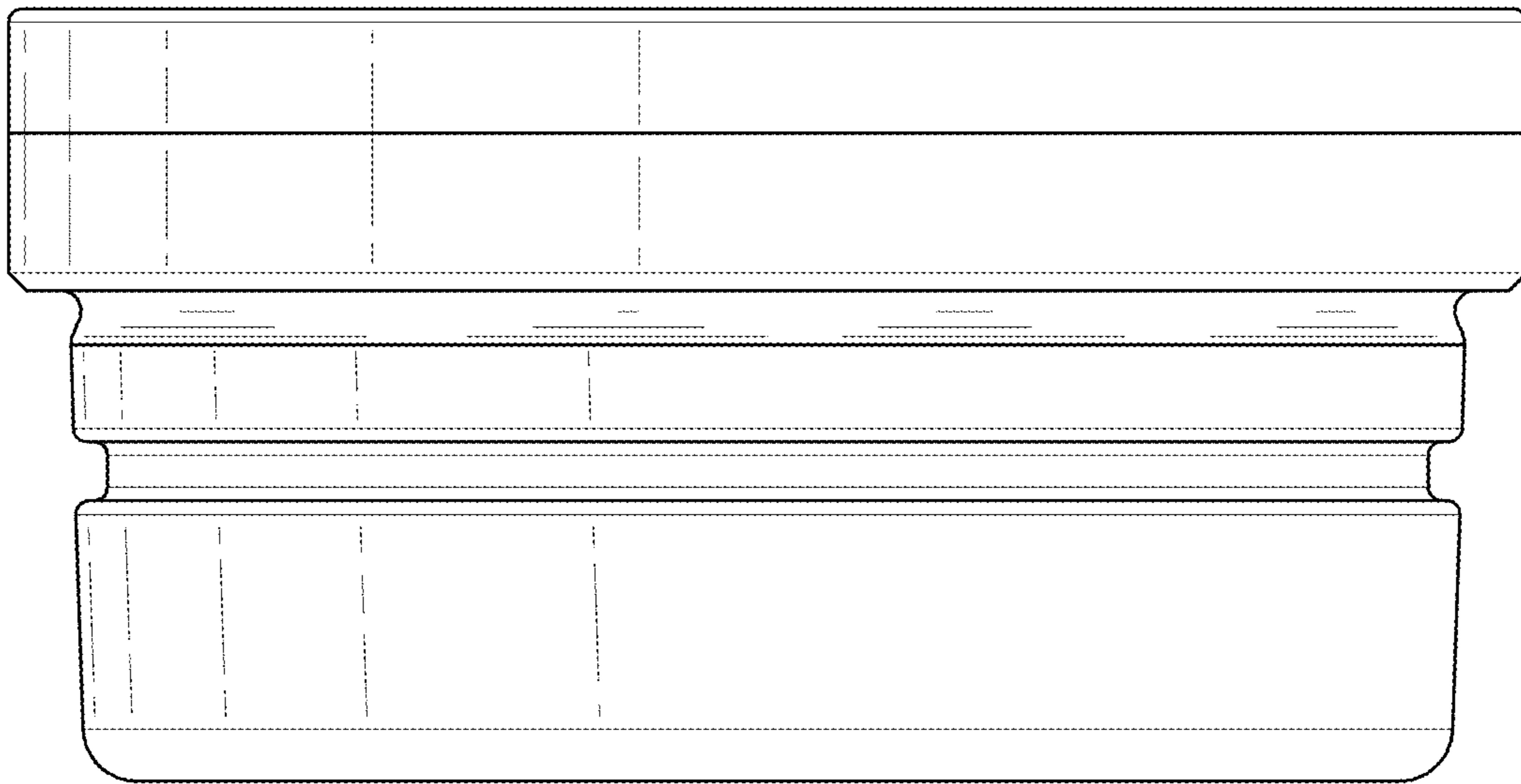


FIG. 3

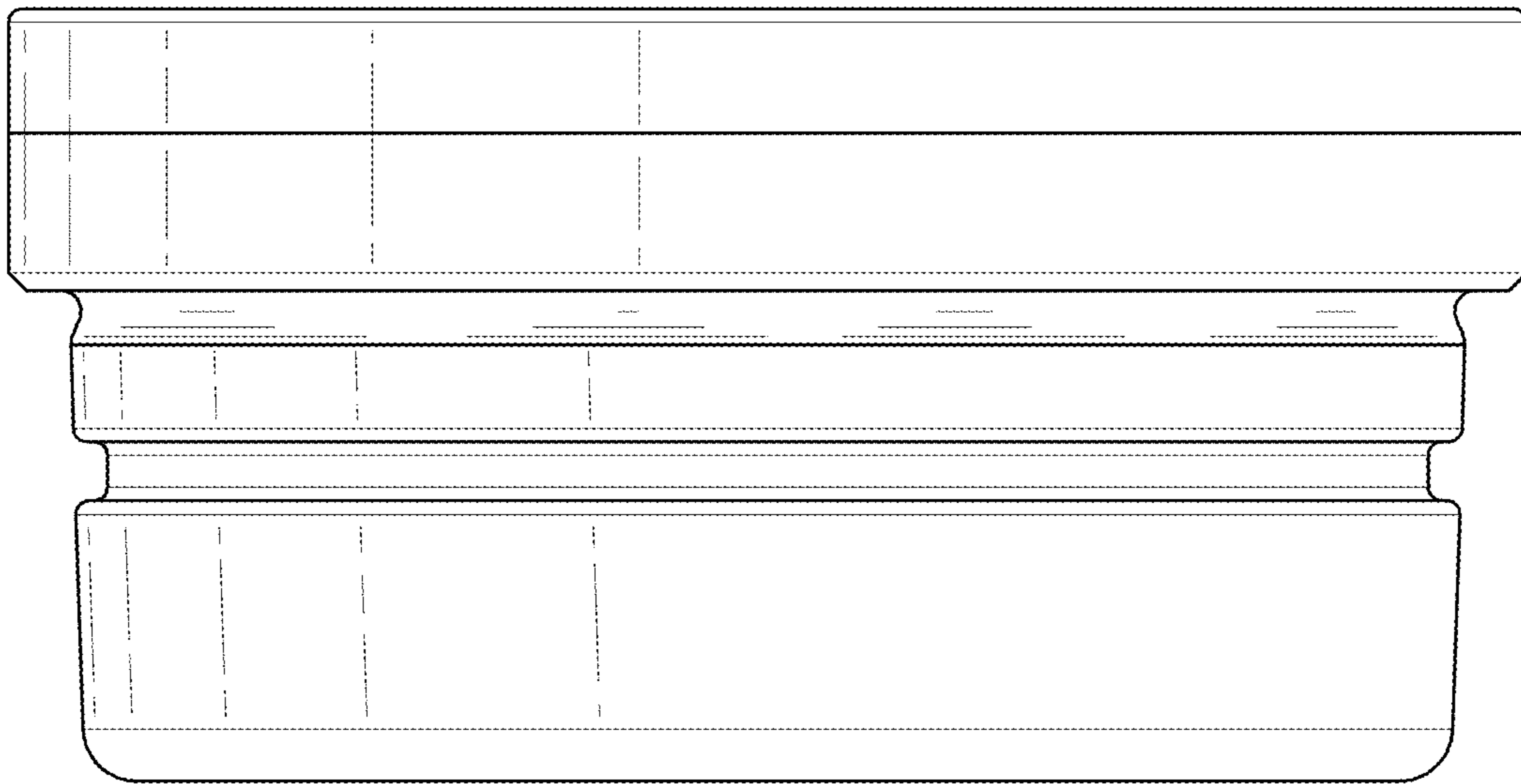


FIG. 4

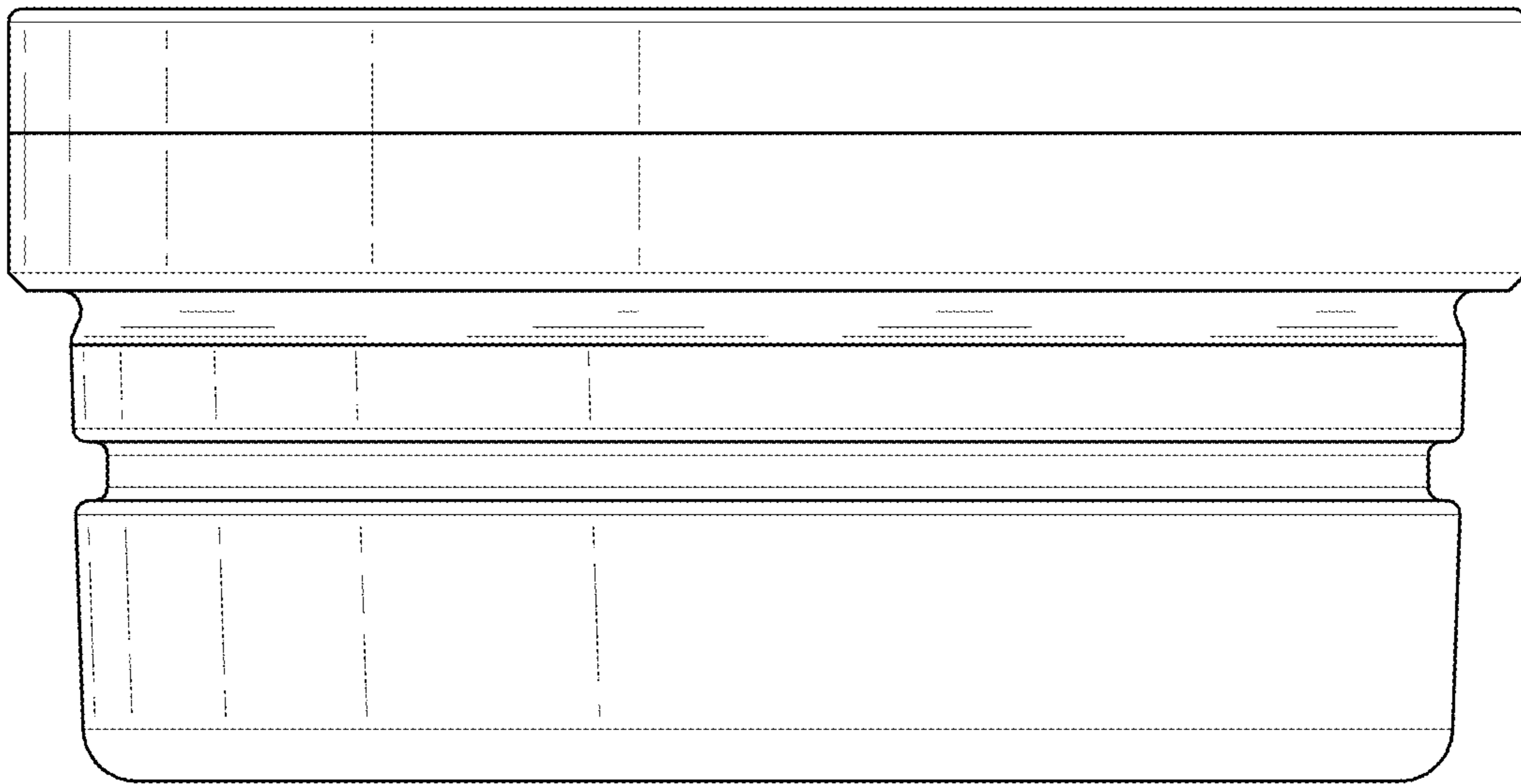


FIG. 5

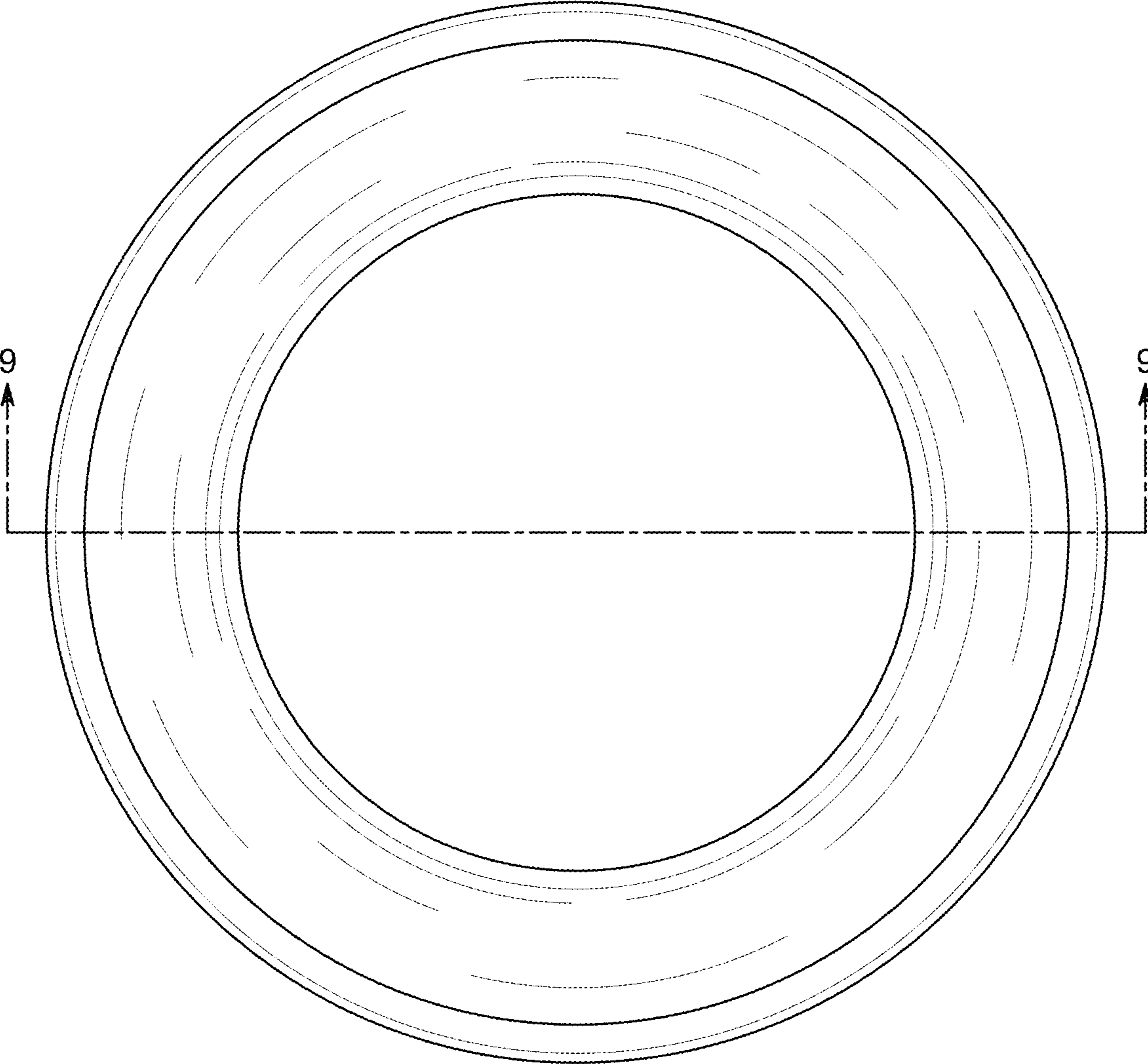


FIG. 6

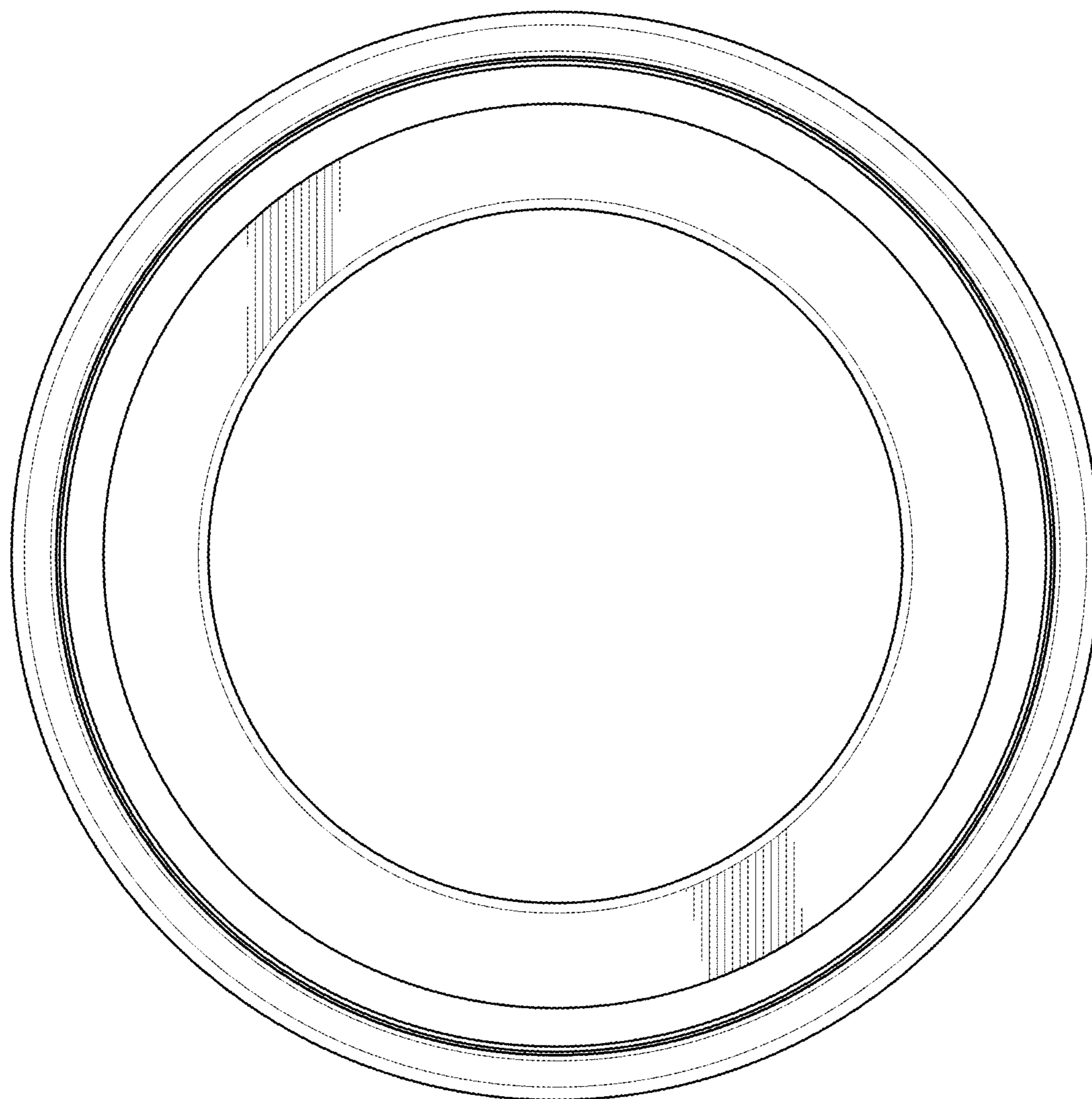


FIG. 7

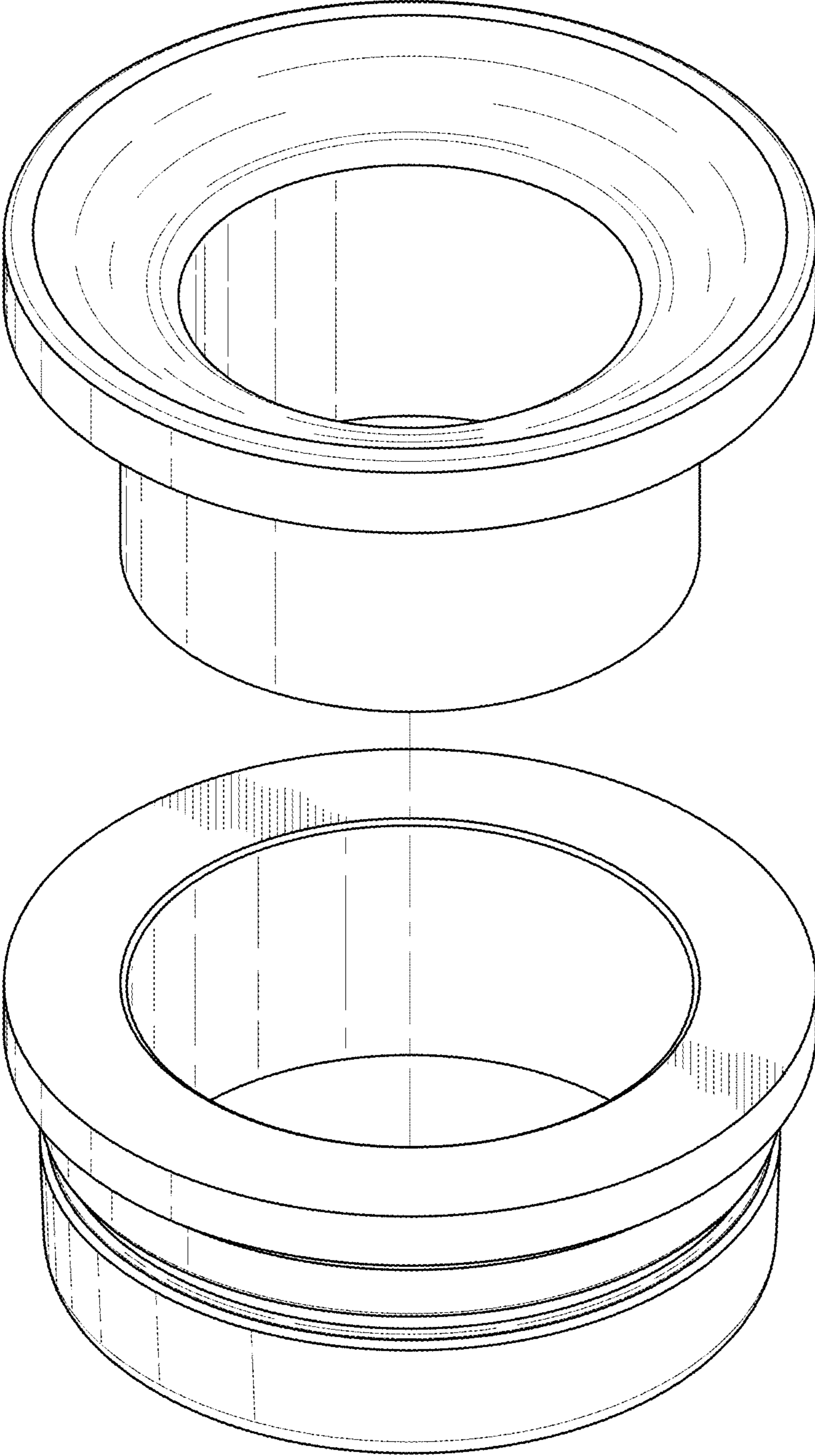


FIG. 8

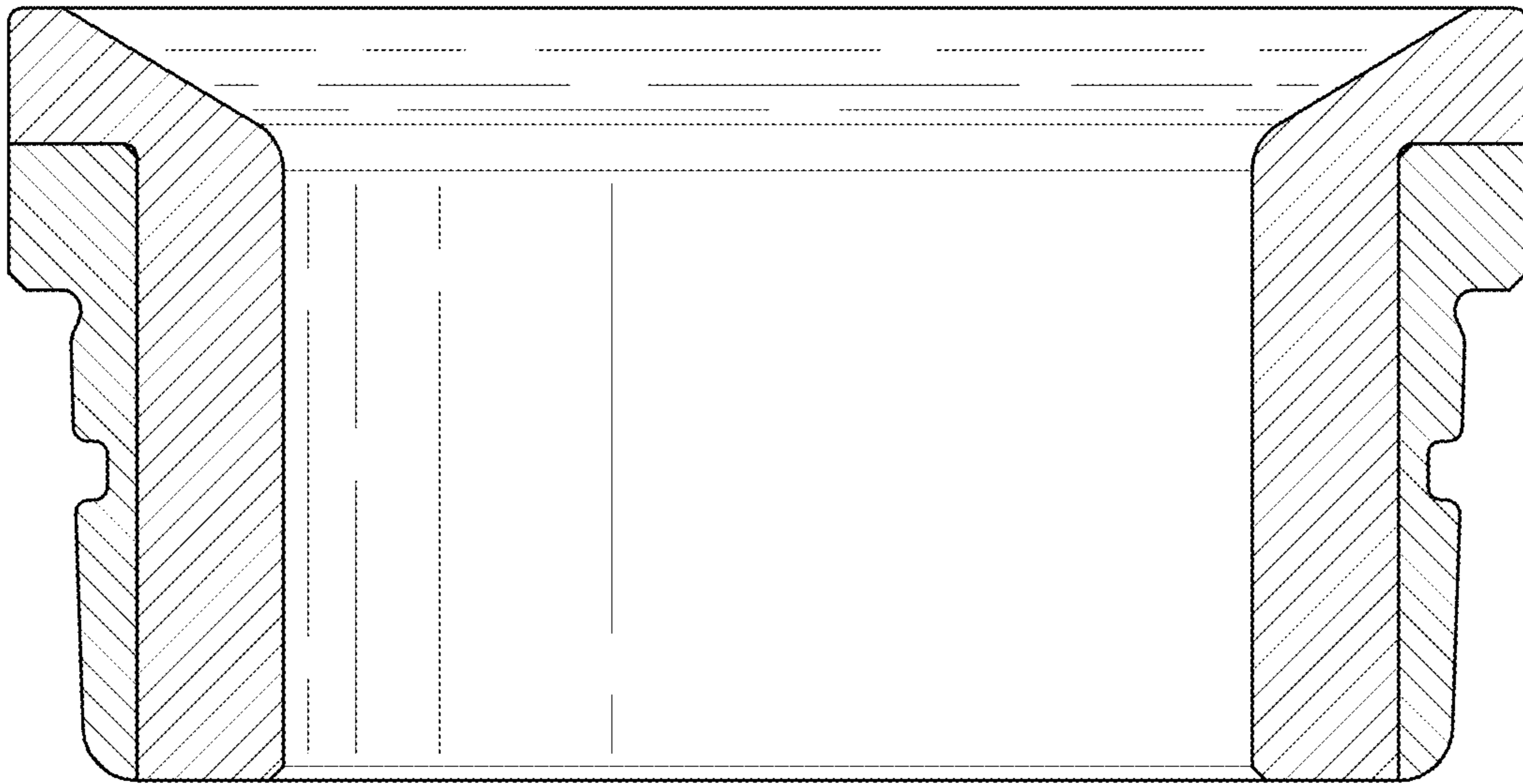


FIG. 9