



US00D910819S

(12) **United States Design Patent**
Snelling

(10) **Patent No.:** **US D910,819 S**

(45) **Date of Patent:** **** Feb. 16, 2021**

(54) **SUMP BODY**

(71) Applicant: **Peter Snelling**, Pasadena (AU)

(72) Inventor: **Peter Snelling**, Pasadena (AU)

(73) Assignee: **Hydrotech Pty Ltd.**, Glenelg South (AU)

(**) Term: **15 Years**

(21) Appl. No.: **29/698,952**

(22) Filed: **Jul. 22, 2019**

(51) **LOC (13) Cl.** **23-01**

(52) **U.S. Cl.**
USPC **D23/259**

(58) **Field of Classification Search**
USPC D23/203–209, 259–263, 322, 386–387,
D23/393, 499; 210/167.1,
210/167.11–167.12, 167.15, 167.16,
210/167.18; 4/293, 496, 501, 507,
4/510–512; 137/296, 312–313, 565.37;
D32/15, 25

CPC F16B 21/04
See application file for complete search history.

(56) **References Cited**

U.S. PATENT DOCUMENTS

D243,766 S * 3/1977 Isaacs D23/200
D254,564 S * 3/1980 Johnson D23/263
D255,596 S * 6/1980 Johnson D23/263
D342,782 S * 12/1993 Anderson D23/263
D365,381 S * 12/1995 Hoepfner D23/209

D411,901 S * 7/1999 Gomulinski D32/25
D432,933 S * 10/2000 Einck D10/101
D658,274 S * 4/2012 Barnard D23/263
D673,657 S * 1/2013 Sisk D23/262
D735,303 S * 7/2015 Drury D23/262
D737,413 S * 8/2015 Drury D23/262
D840,437 S * 2/2019 Blaser D15/7
2007/0039095 A1 * 2/2007 Lawson E04H 4/1272
4/507
2009/0159516 A1 * 6/2009 Andrei E04H 4/1272
210/167.12
2010/0084325 A1 * 4/2010 Parks E04H 4/1272
210/167.12
2010/0125942 A1 * 5/2010 Nelson E04H 4/1281
4/490
2019/0218807 A1 * 7/2019 Goetl E04H 4/1236

* cited by examiner

Primary Examiner — Amy C Wierenga

(74) *Attorney, Agent, or Firm* — Neifeld IP Law, PLLC

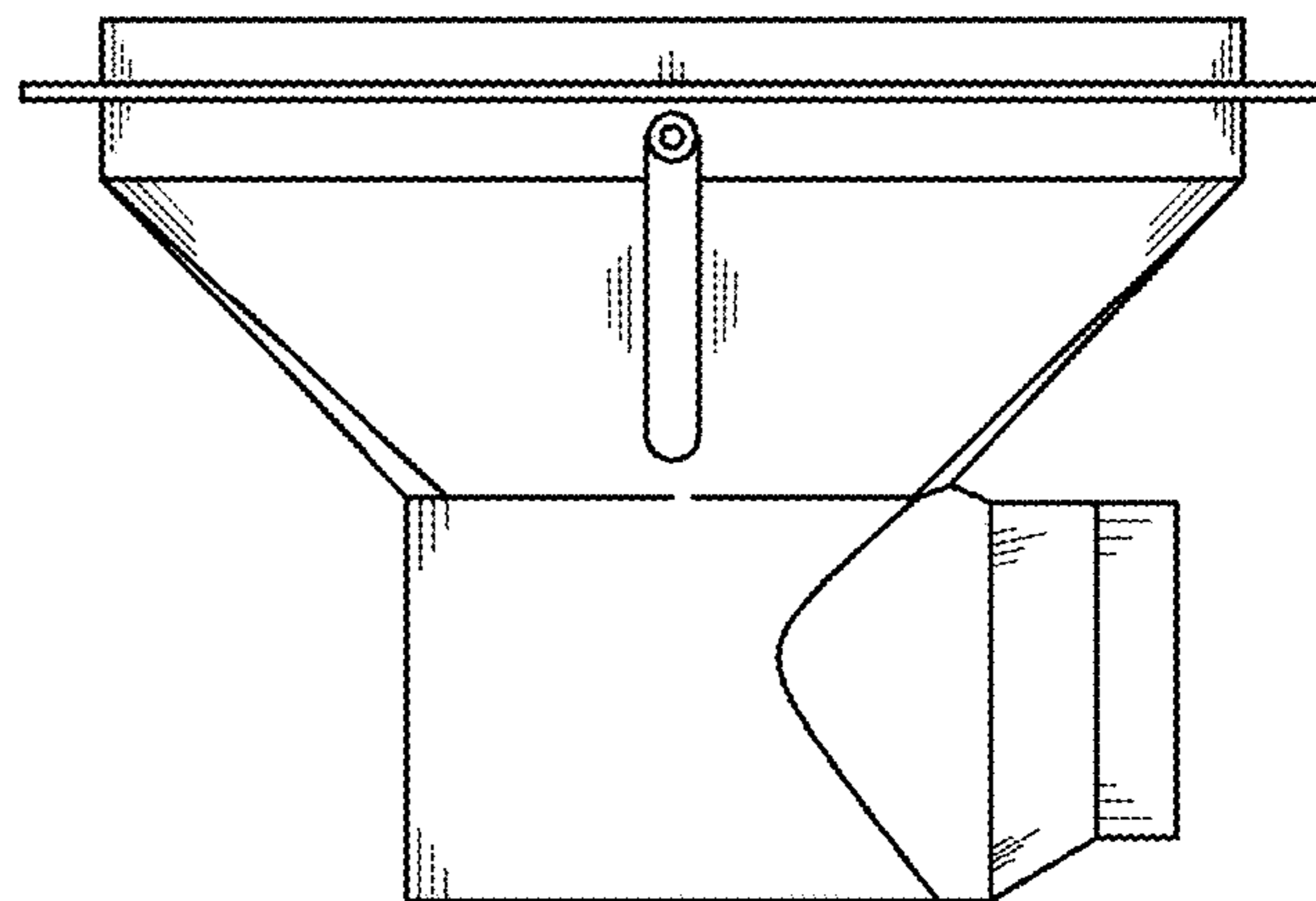
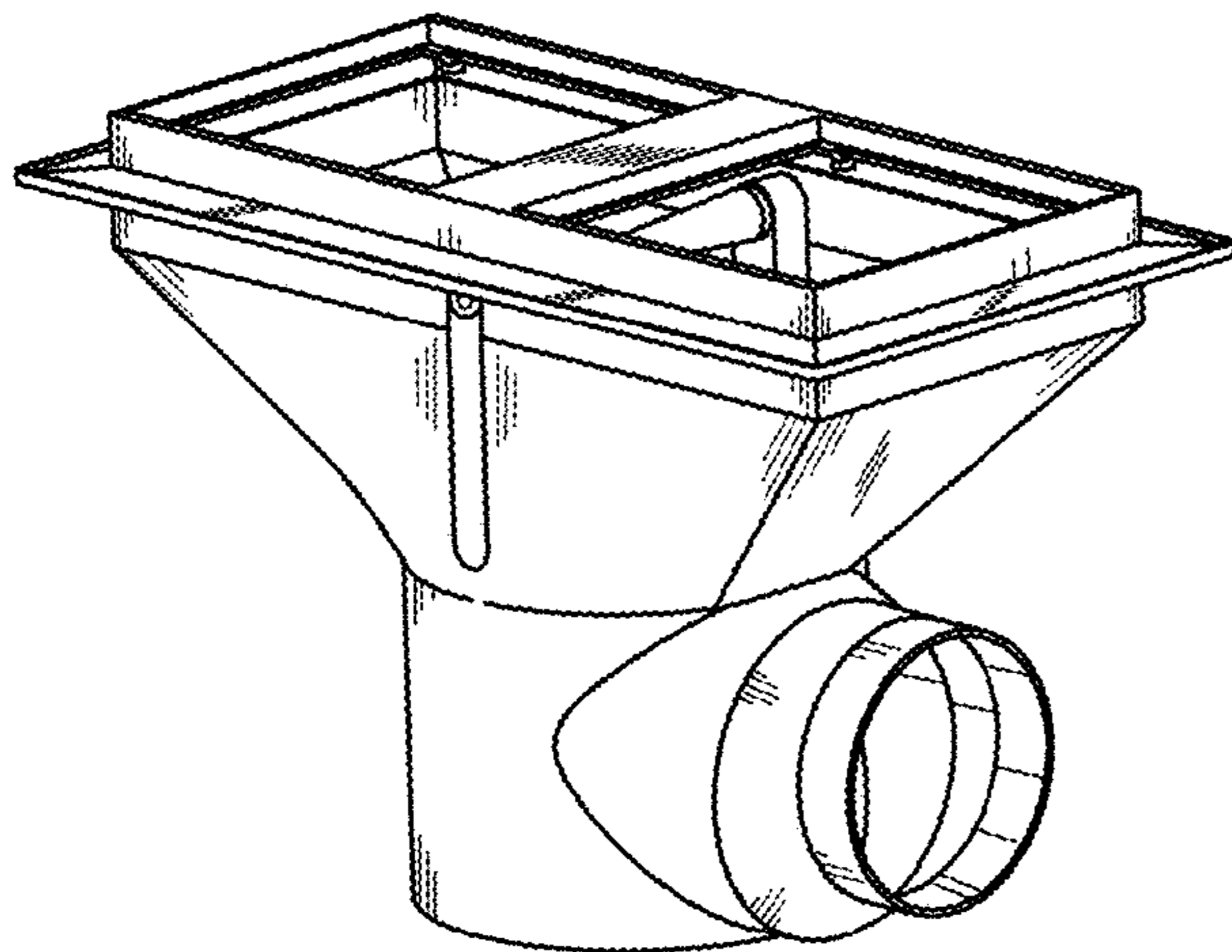
(57) **CLAIM**

The ornamental design for a sump body, substantially as shown and described.

DESCRIPTION

FIG. 1 is a perspective view of the sump body, showing my new design;
FIG. 2 is a left side elevation;
FIG. 3 is a right side elevation;
FIG. 4 is a top plan view;
FIG. 5 is a first end view;
FIG. 6 is a second end view; and,
FIG. 7 is a bottom plan view.

1 Claim, 7 Drawing Sheets



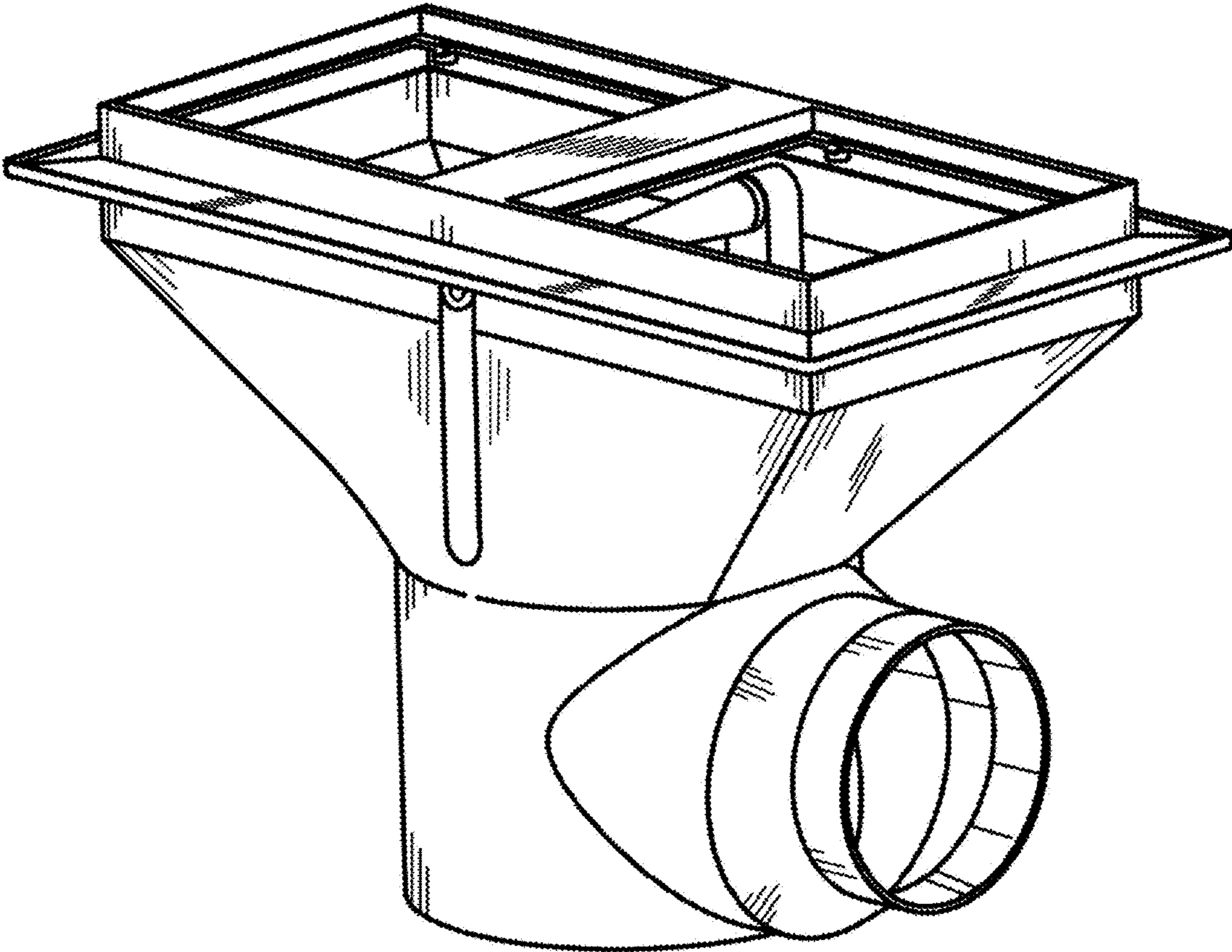


FIG.1

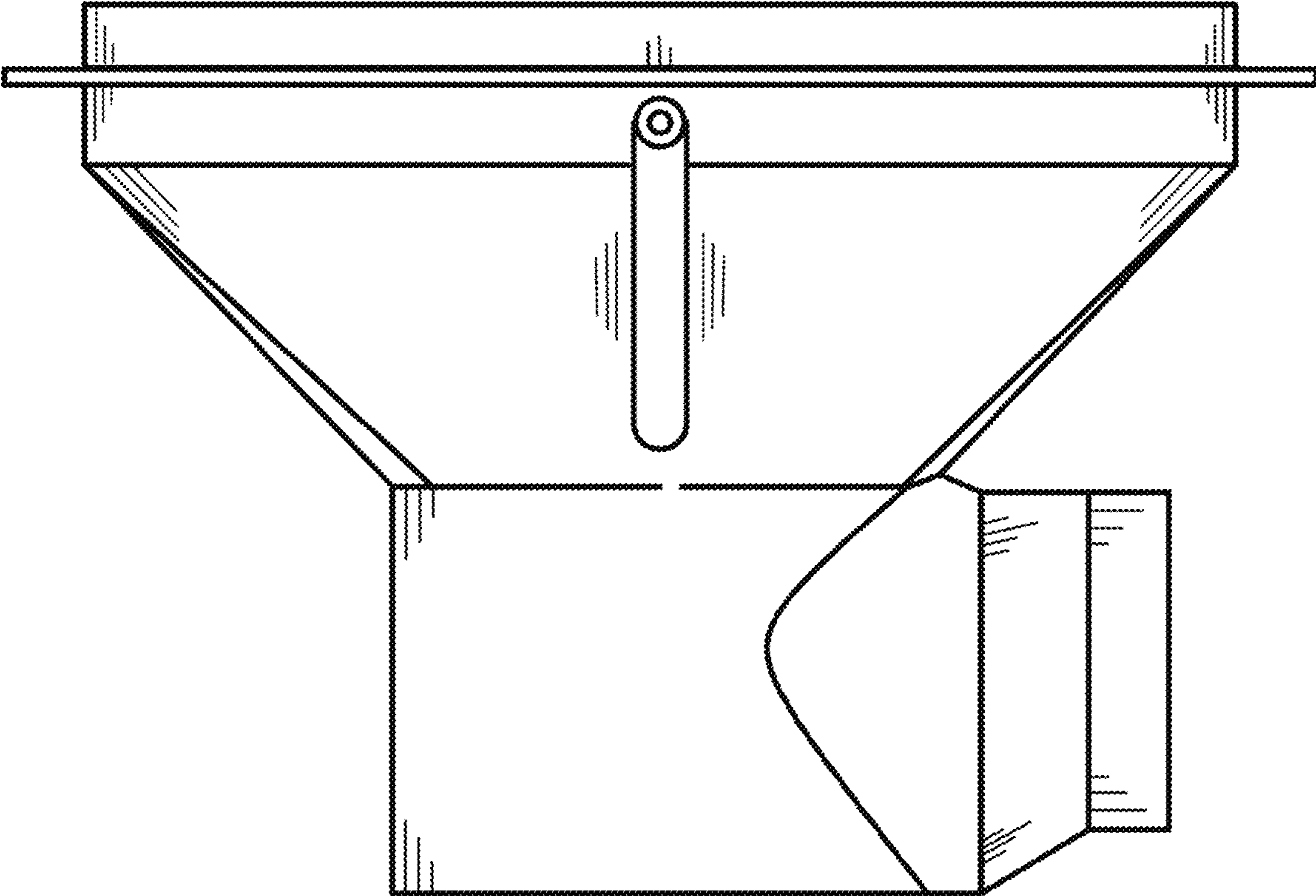


FIG. 2

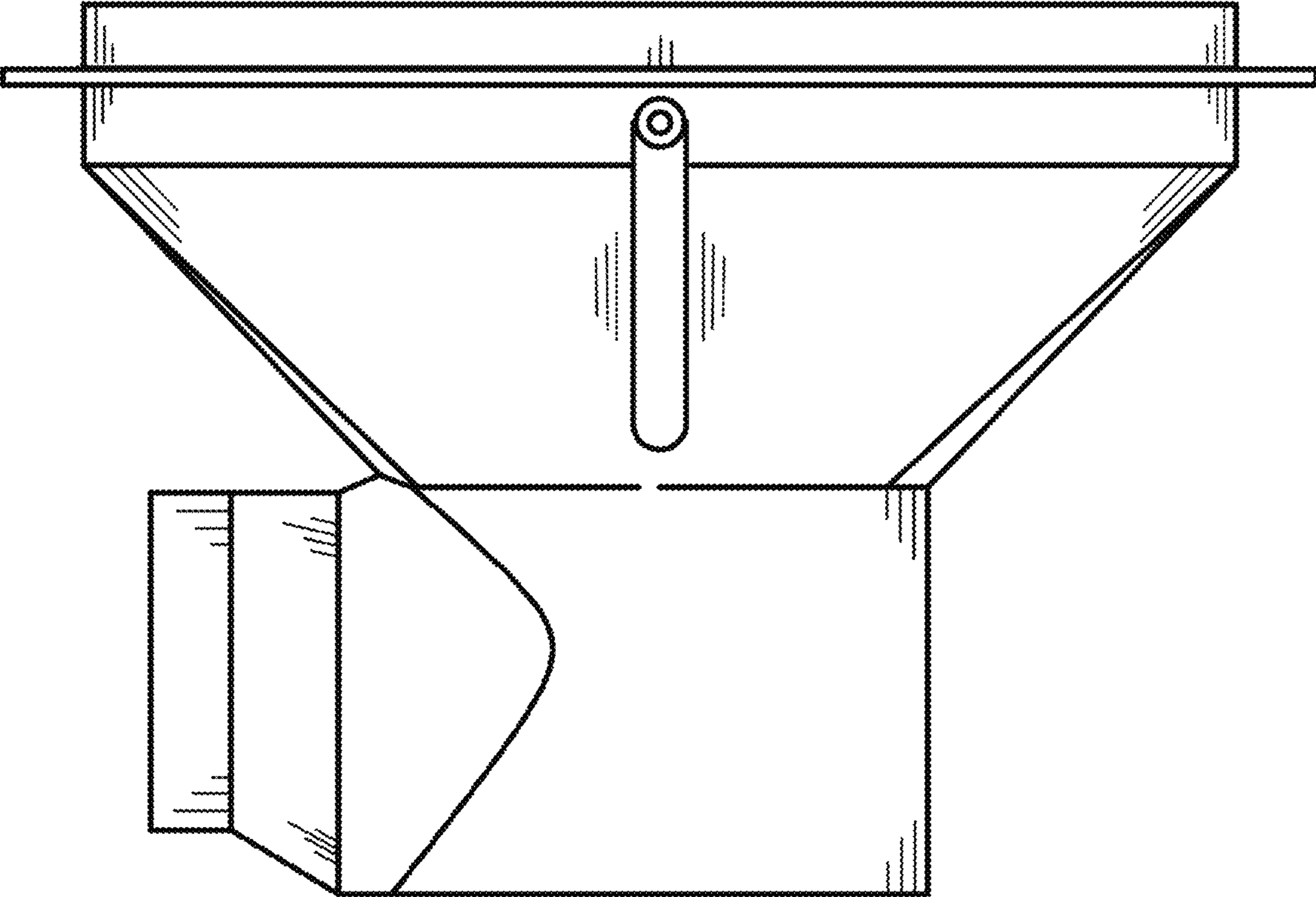


FIG. 3

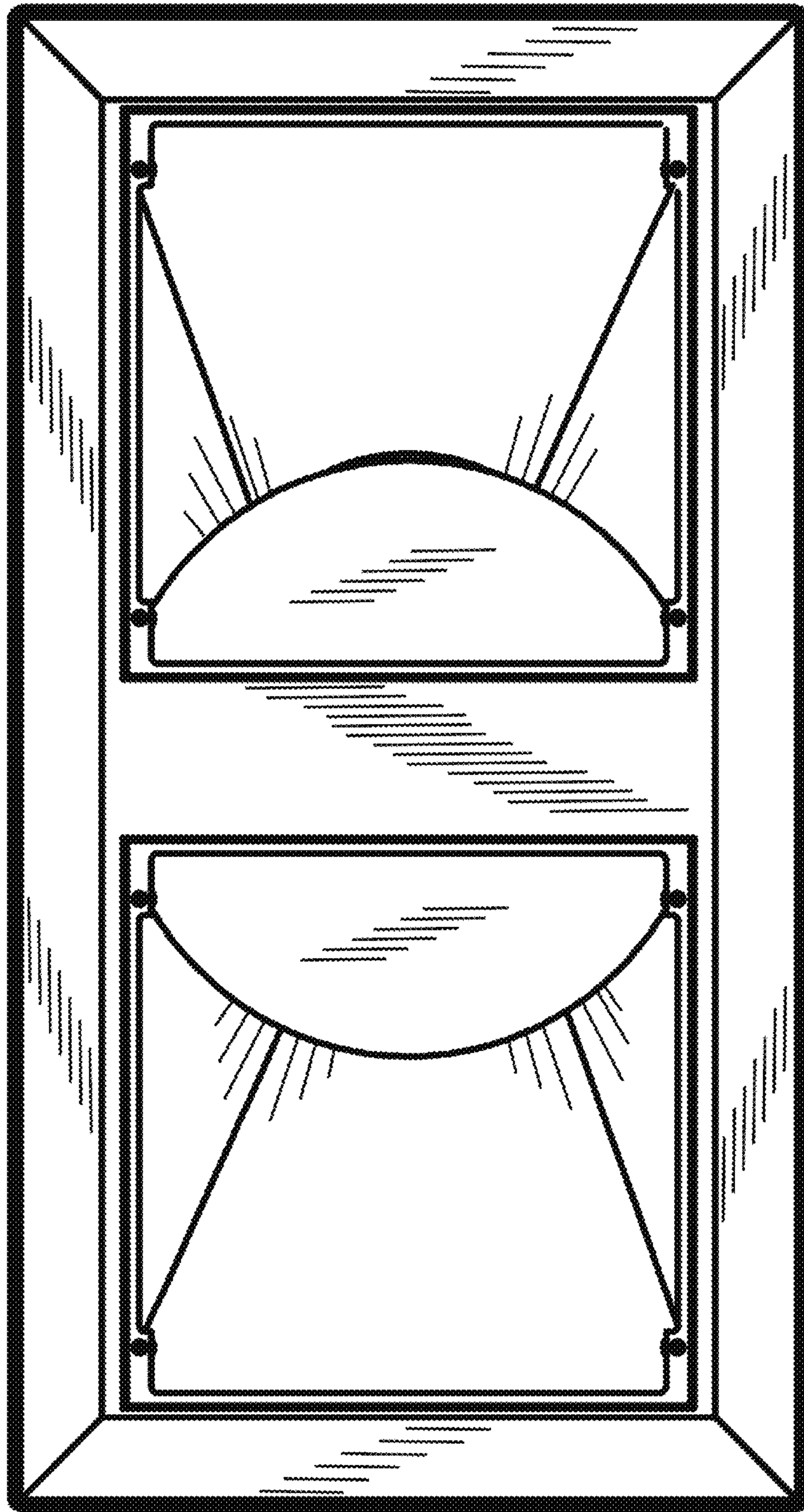


FIG. 4

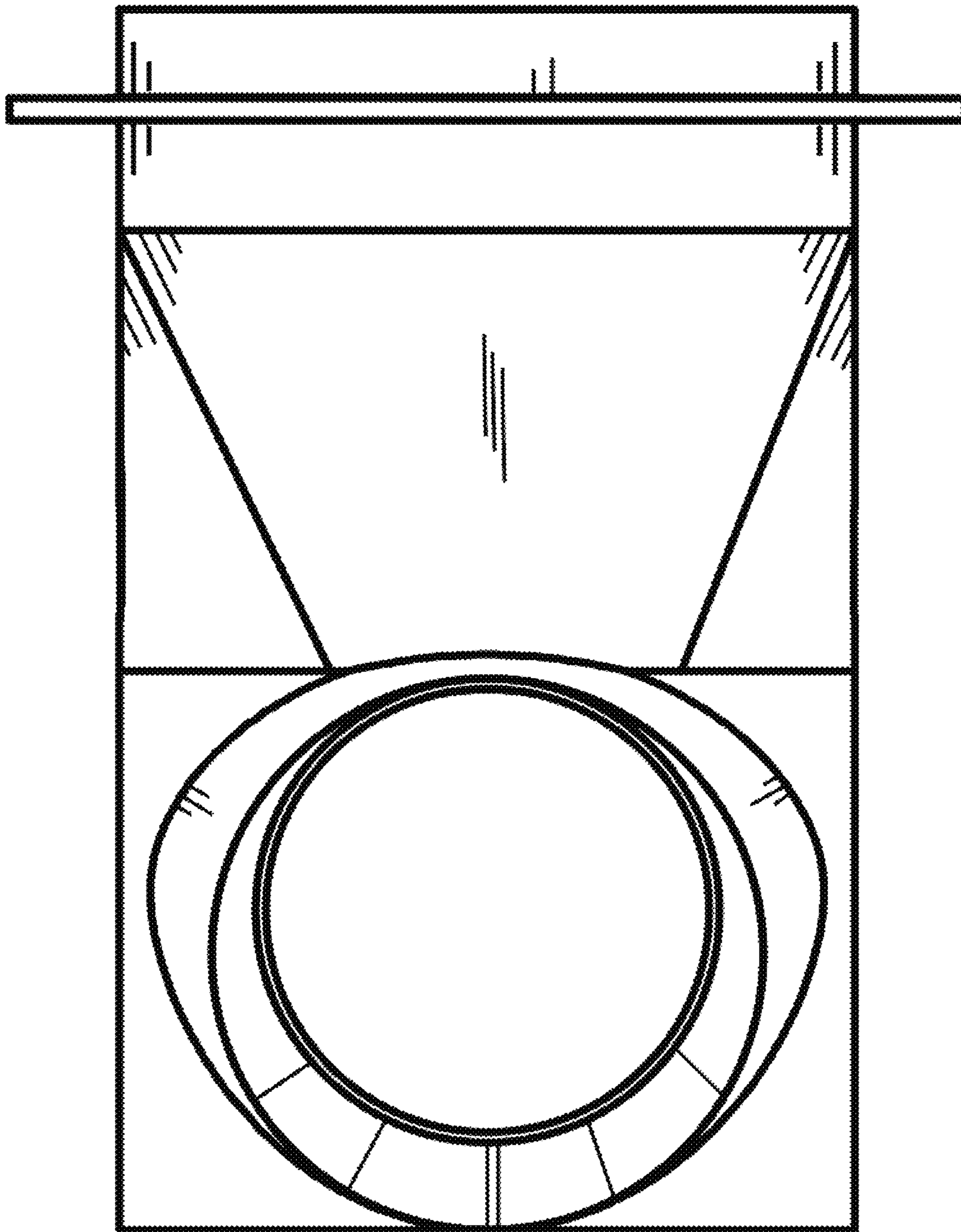


FIG. 5

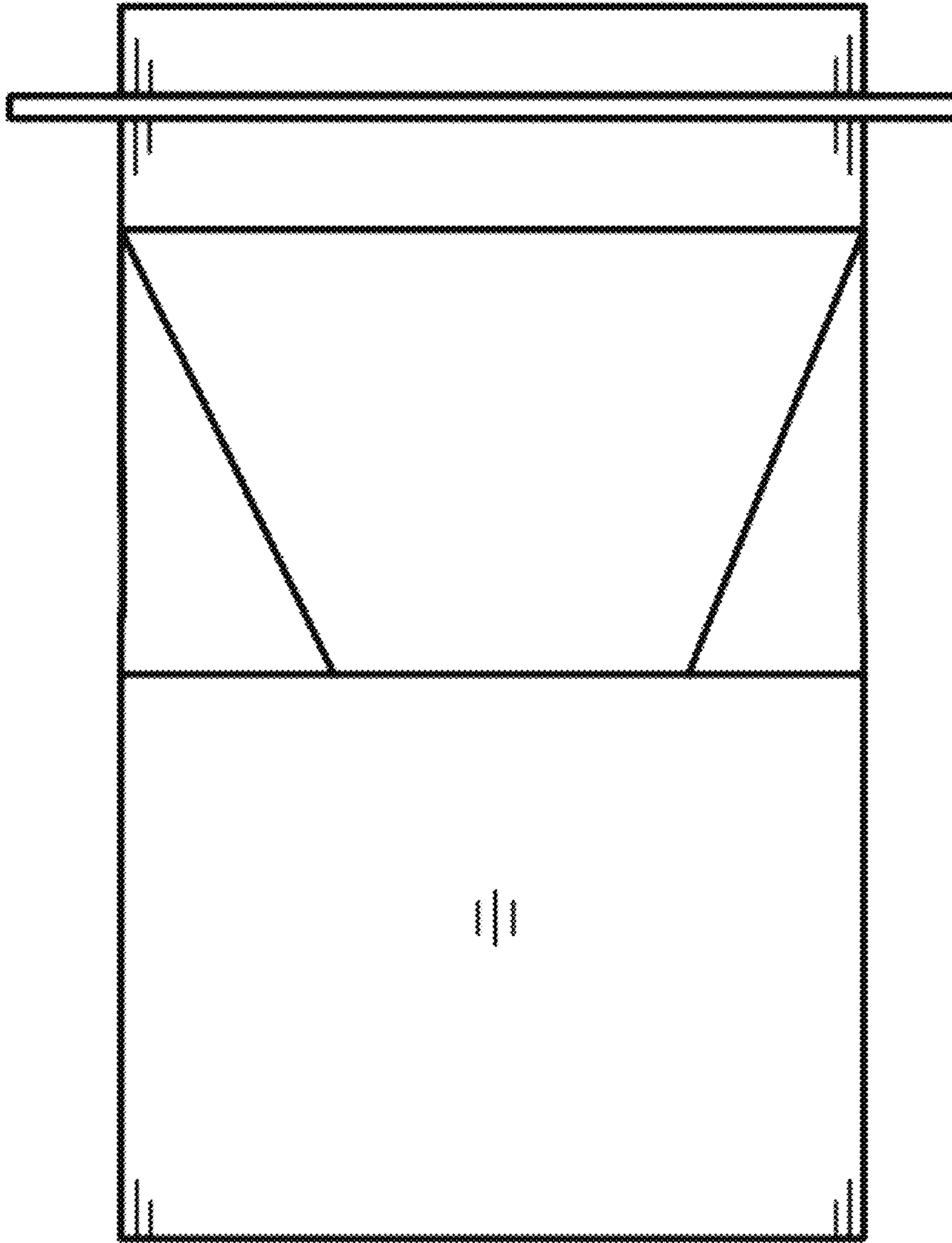


FIG. 6

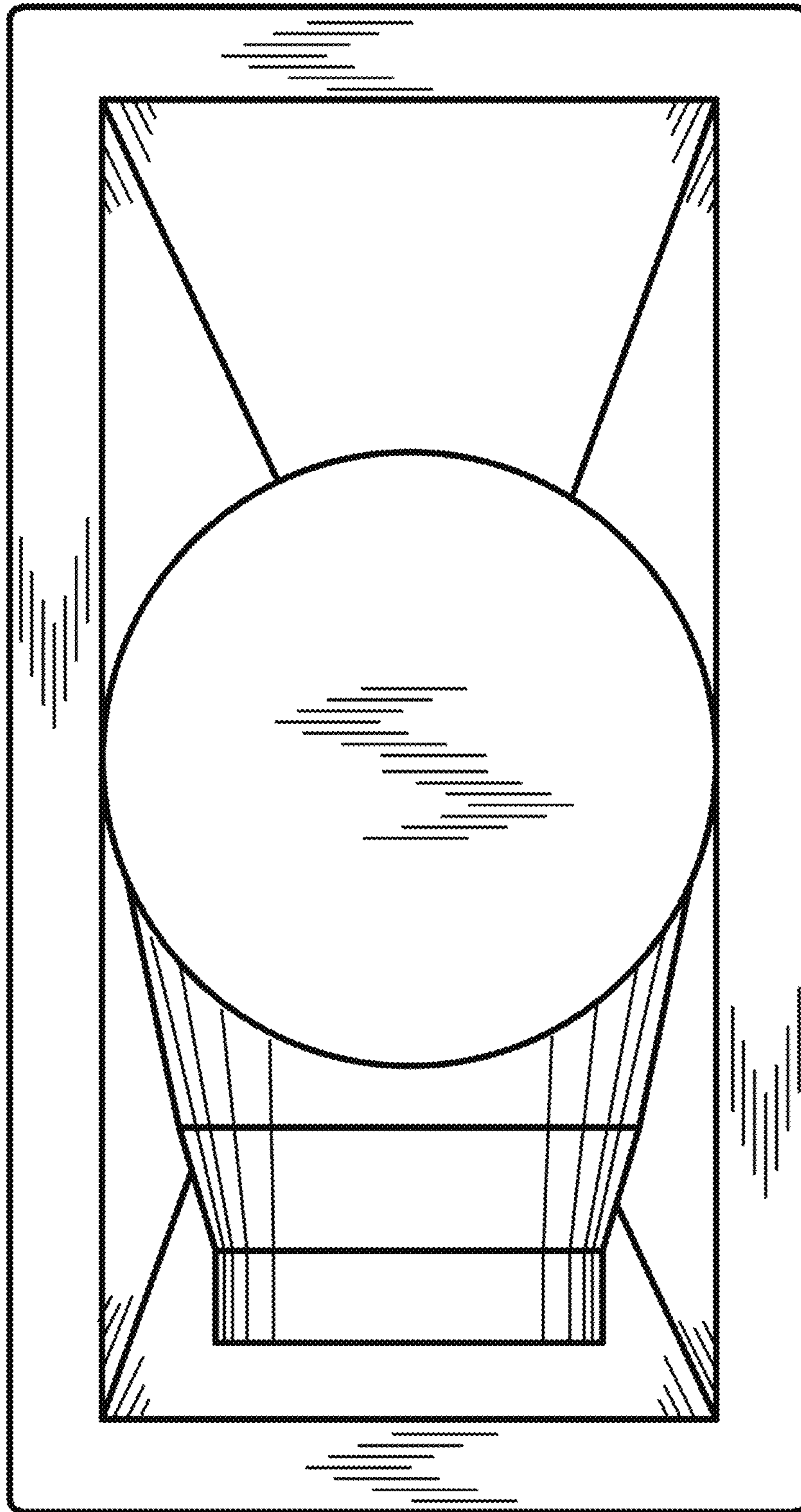


FIG. 7