



US00D910817S

(12) **United States Design Patent**  
**Zhang**

(10) **Patent No.:** **US D910,817 S**

(45) **Date of Patent:** **\*\* Feb. 16, 2021**

(54) **FAUCET**

(71) Applicant: **Xinrui Zhang**, Kaiping (CN)

(72) Inventor: **Xinrui Zhang**, Kaiping (CN)

(\*\*) Term: **15 Years**

(21) Appl. No.: **29/747,868**

(22) Filed: **Aug. 26, 2020**

(51) **LOC (13) Cl.** ..... **23-01**

(52) **U.S. Cl.**  
USPC ..... **D23/238**

(58) **Field of Classification Search**  
USPC ..... D23/238–241, 250, 252, 254–255, 257,  
D23/226; D8/307–308  
CPC ..... Y10T 137/9464; Y10T 137/6014; Y10T  
137/6017  
See application file for complete search history.

(56) **References Cited**

**U.S. PATENT DOCUMENTS**

D441,840 S *	5/2001	Meylan	.....	D23/238
D479,310 S *	9/2003	Ziemann	.....	D23/238
D517,652 S	3/2006	Egli et al.		
D528,189 S *	9/2006	Kulig	.....	D23/238
D538,402 S *	3/2007	Lammel	.....	D23/238
D546,922 S *	7/2007	Demmer	.....	D23/238

D555,771 S *	11/2007	Noth	.....	D23/238
D646,354 S	10/2011	Gessi		
D685,878 S	7/2013	Fritz		
D734,433 S	7/2015	Sieger		
D767,098 S *	9/2016	Citterio	.....	D23/238
D788,265 S *	5/2017	Ho	.....	D23/226
D811,552 S *	2/2018	Fritz	.....	D23/255
D813,987 S *	3/2018	Schoenherr	.....	D23/238
D830,518 S	10/2018	Zeisel et al.		
D864,356 S *	10/2019	Zhang	.....	D23/238

\* cited by examiner

*Primary Examiner* — Robert A Delehanty

(74) *Attorney, Agent, or Firm* — Rumit R. Kanakia

(57) **CLAIM**

I claim the ornamental design for a faucet, as shown and described.

**DESCRIPTION**

FIG. 1 is a Perspective view of a faucet showing my new design;

FIG. 2 is other perspective view thereof;

FIG. 3 is a Front view thereof;

FIG. 4 is a Back view thereof;

FIG. 5 is a Right-side view thereof;

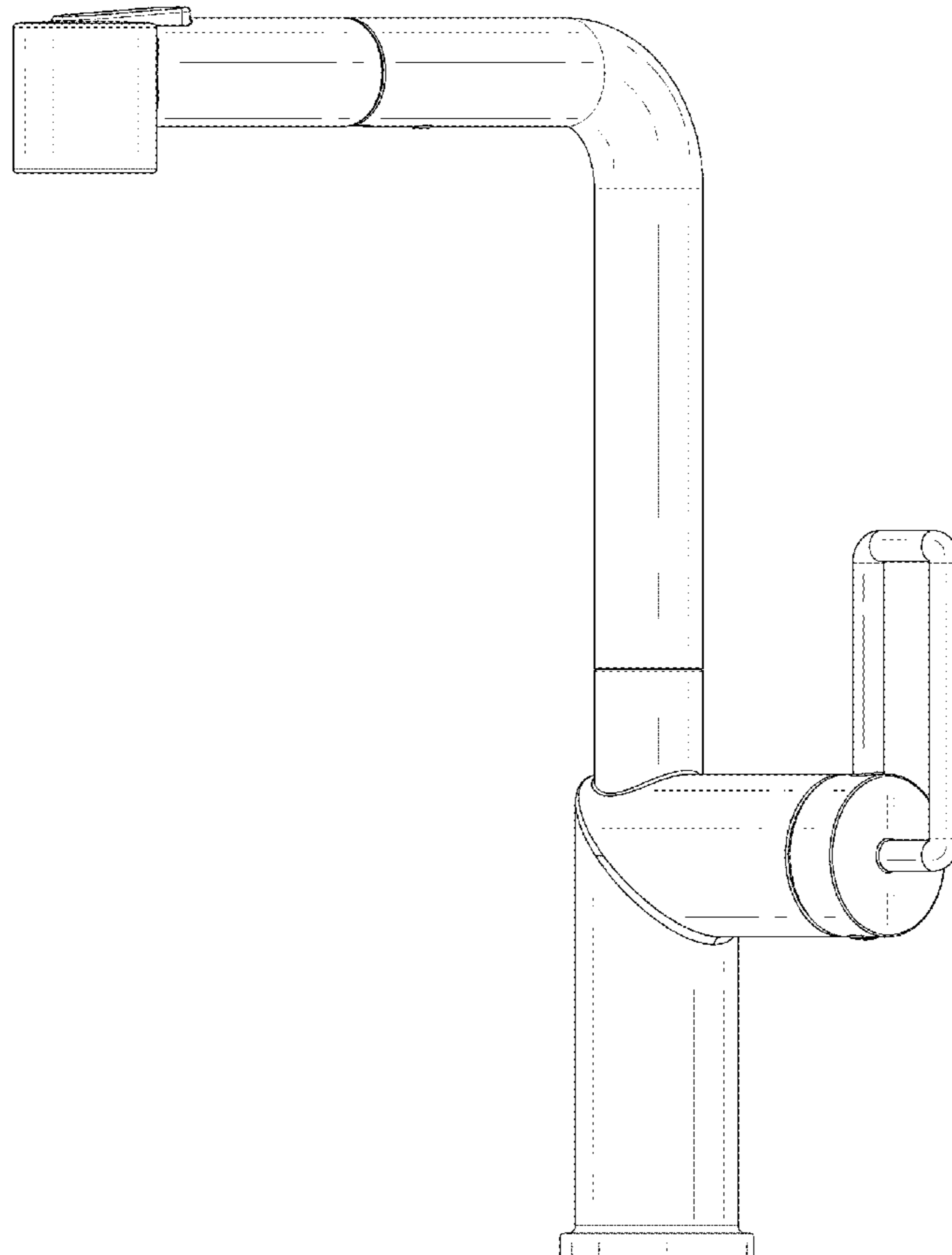
FIG. 6 is a Left-side view thereof;

FIG. 7 is a Top view thereof; and,

FIG. 8 is a Bottom view thereof.

The broken lines are for the purpose of illustrating portions of the article that form no part of the claim.

**1 Claim, 8 Drawing Sheets**



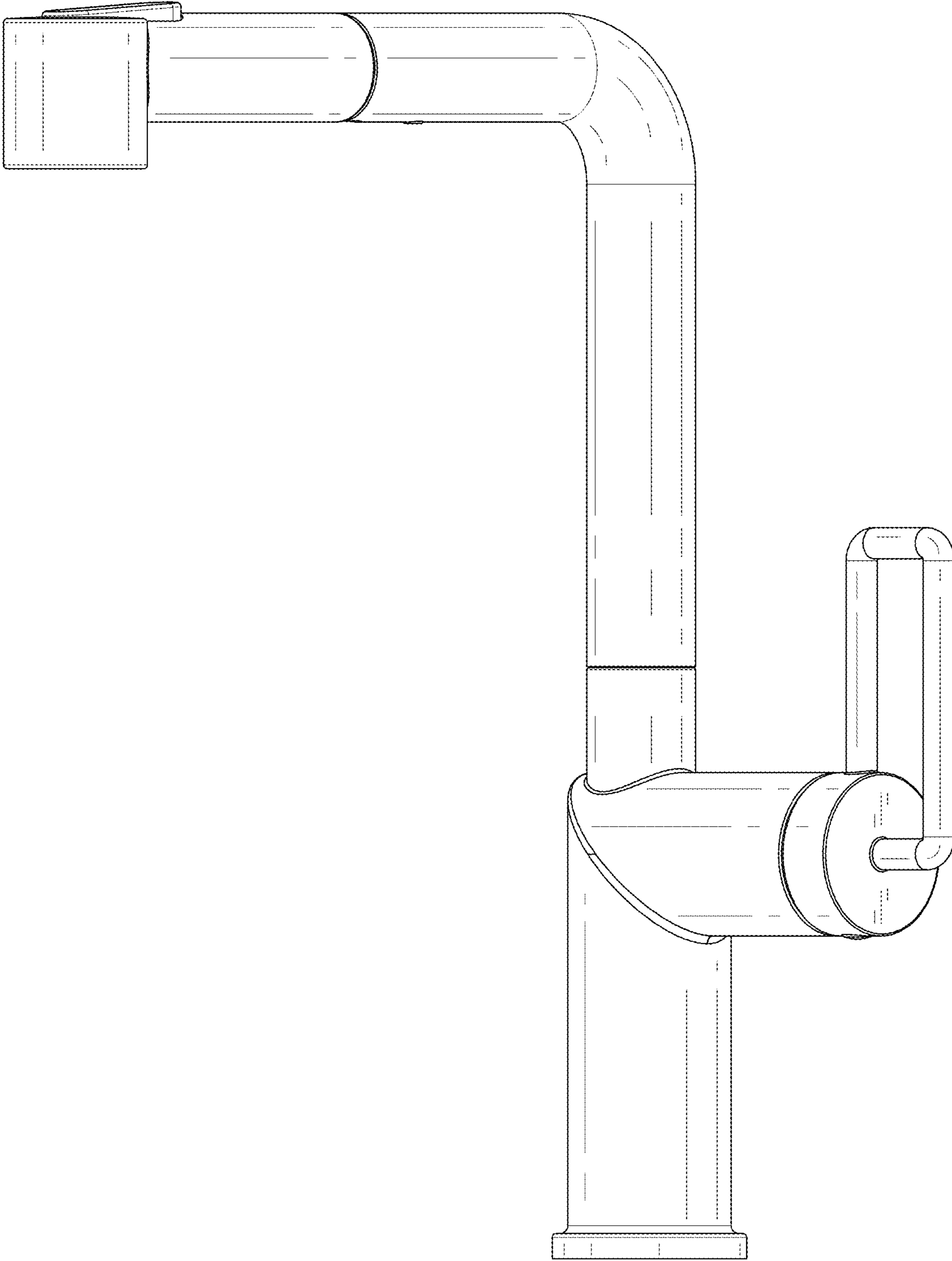


FIG. 1

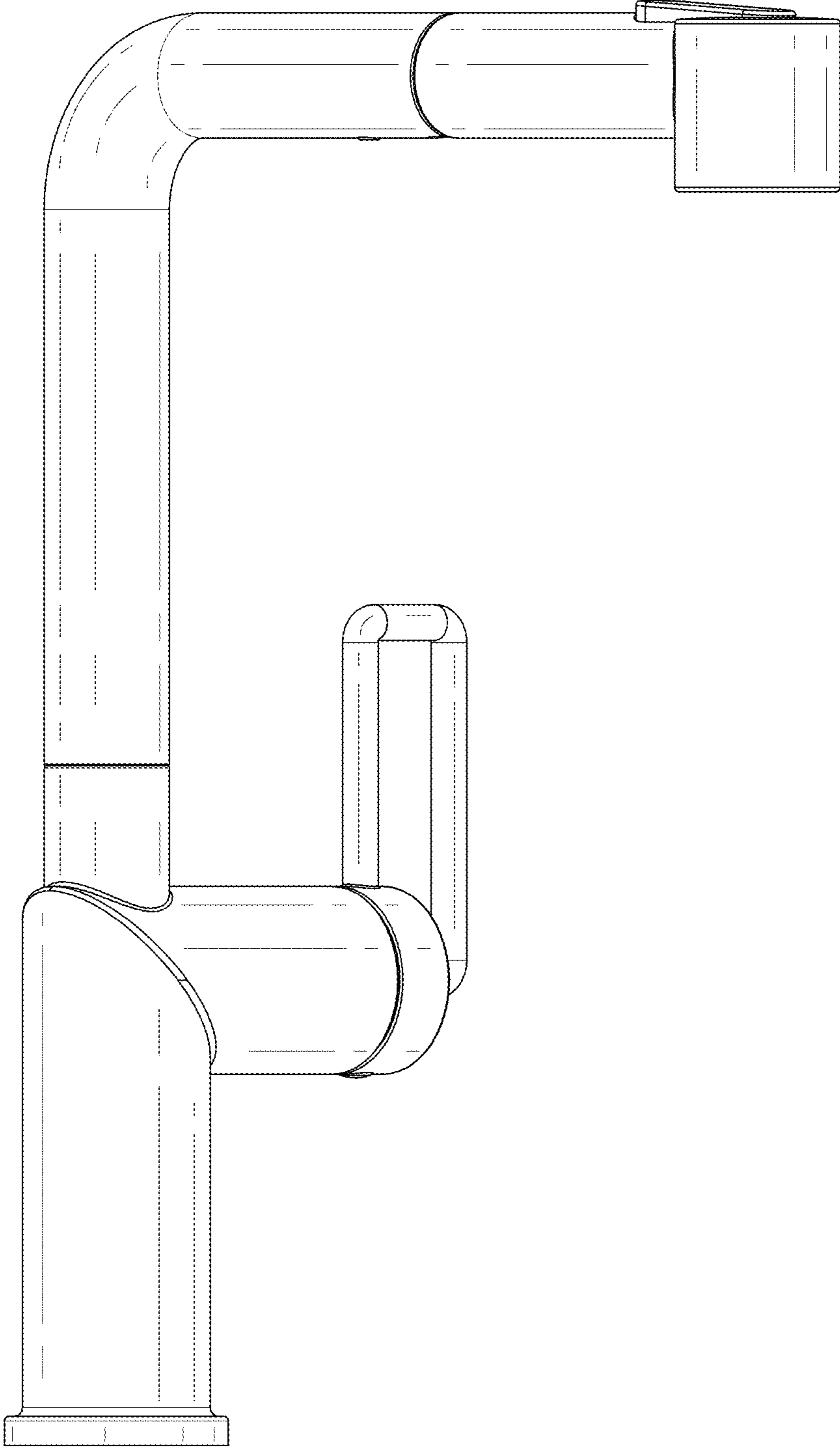


FIG. 2

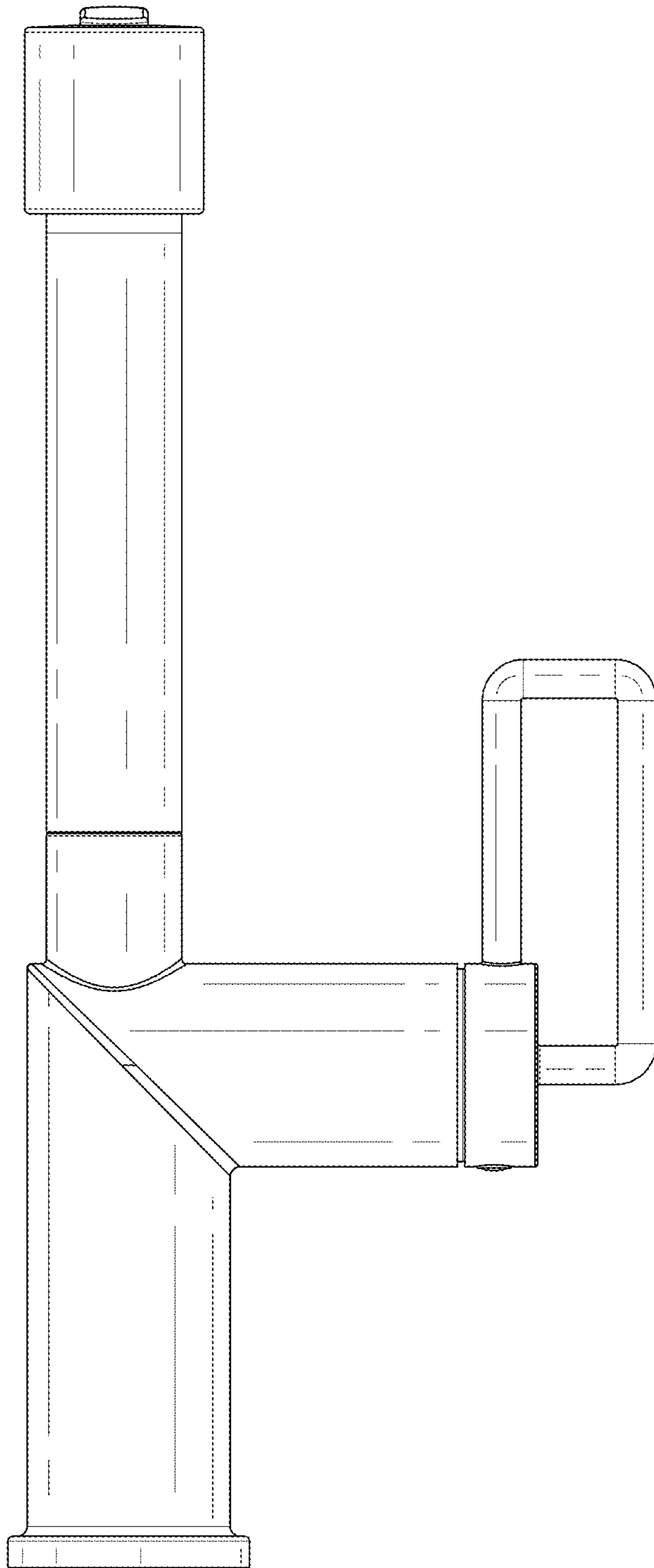


FIG. 3

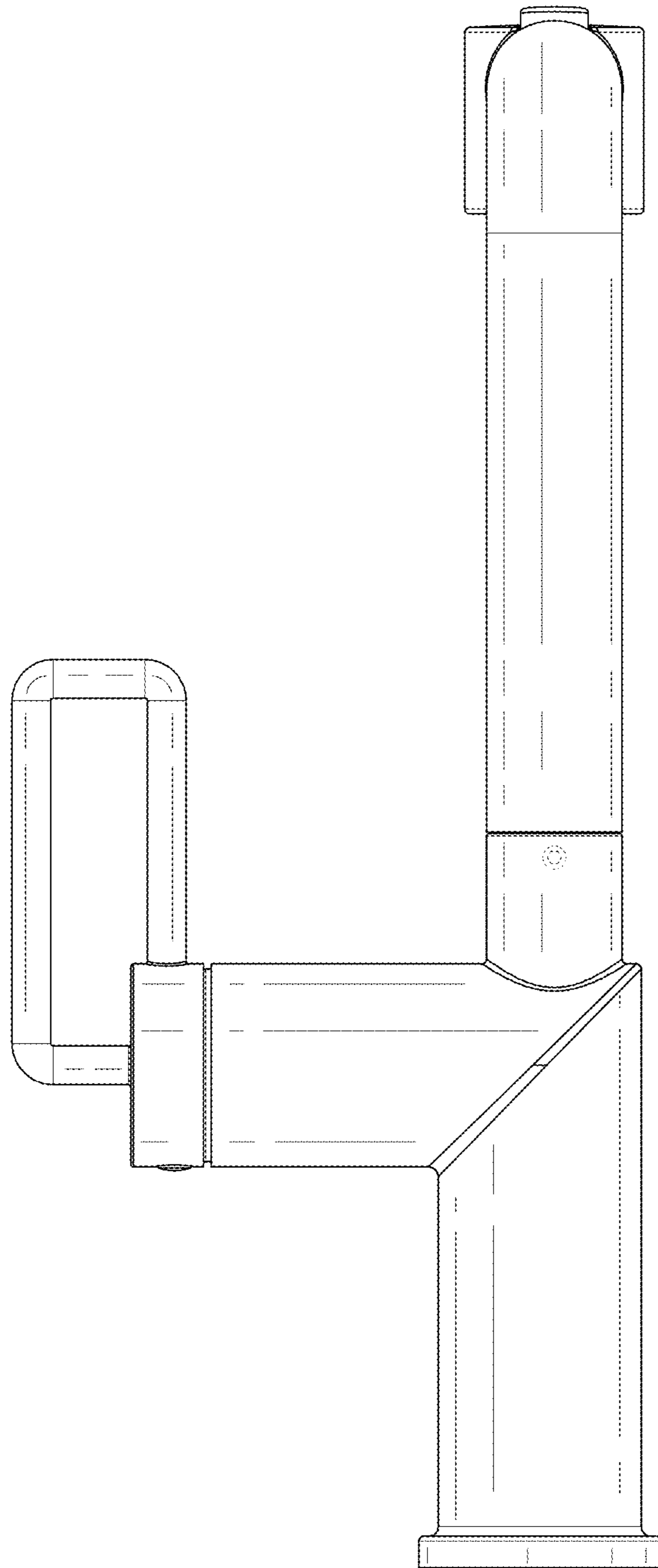


FIG. 4

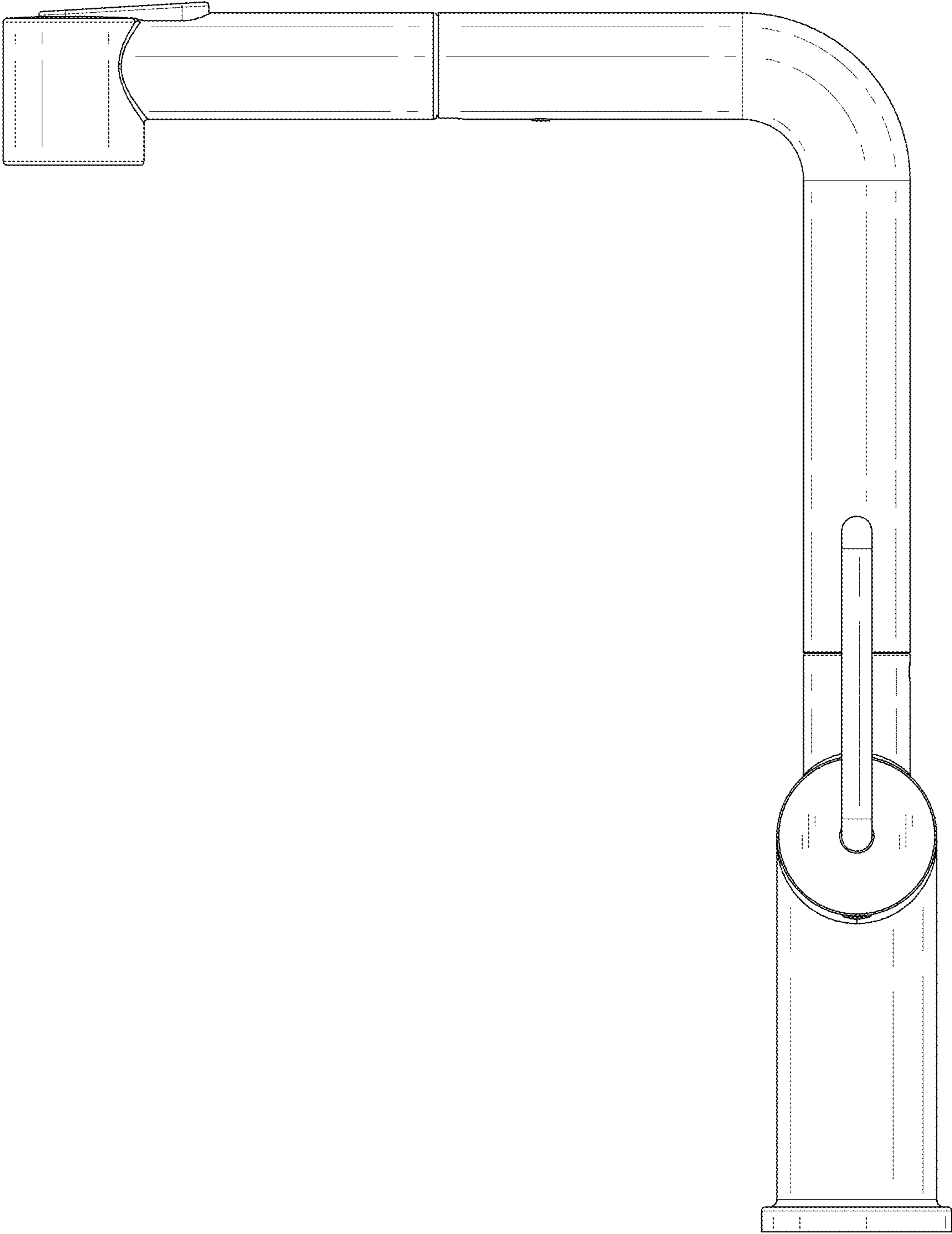


FIG. 5

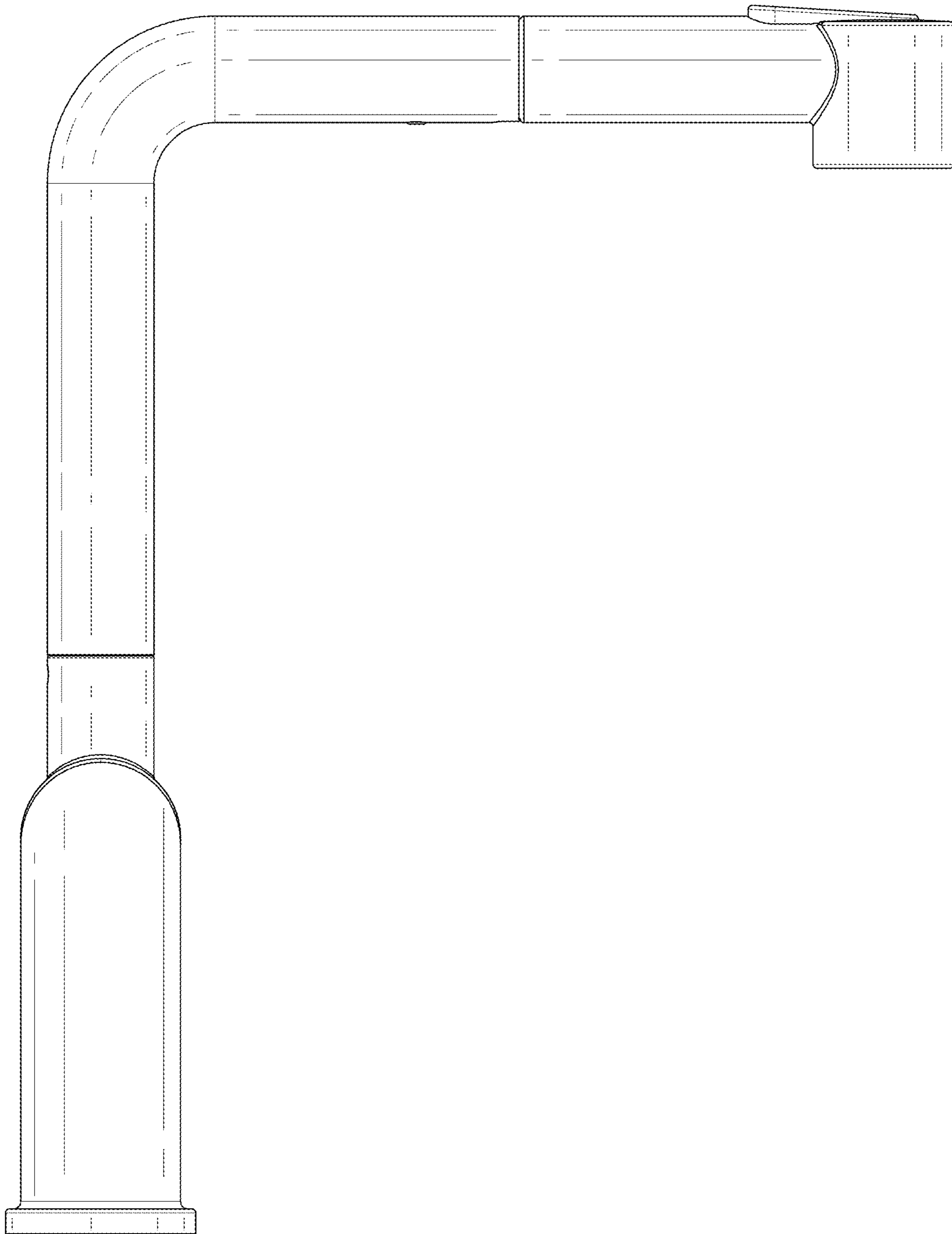


FIG. 6

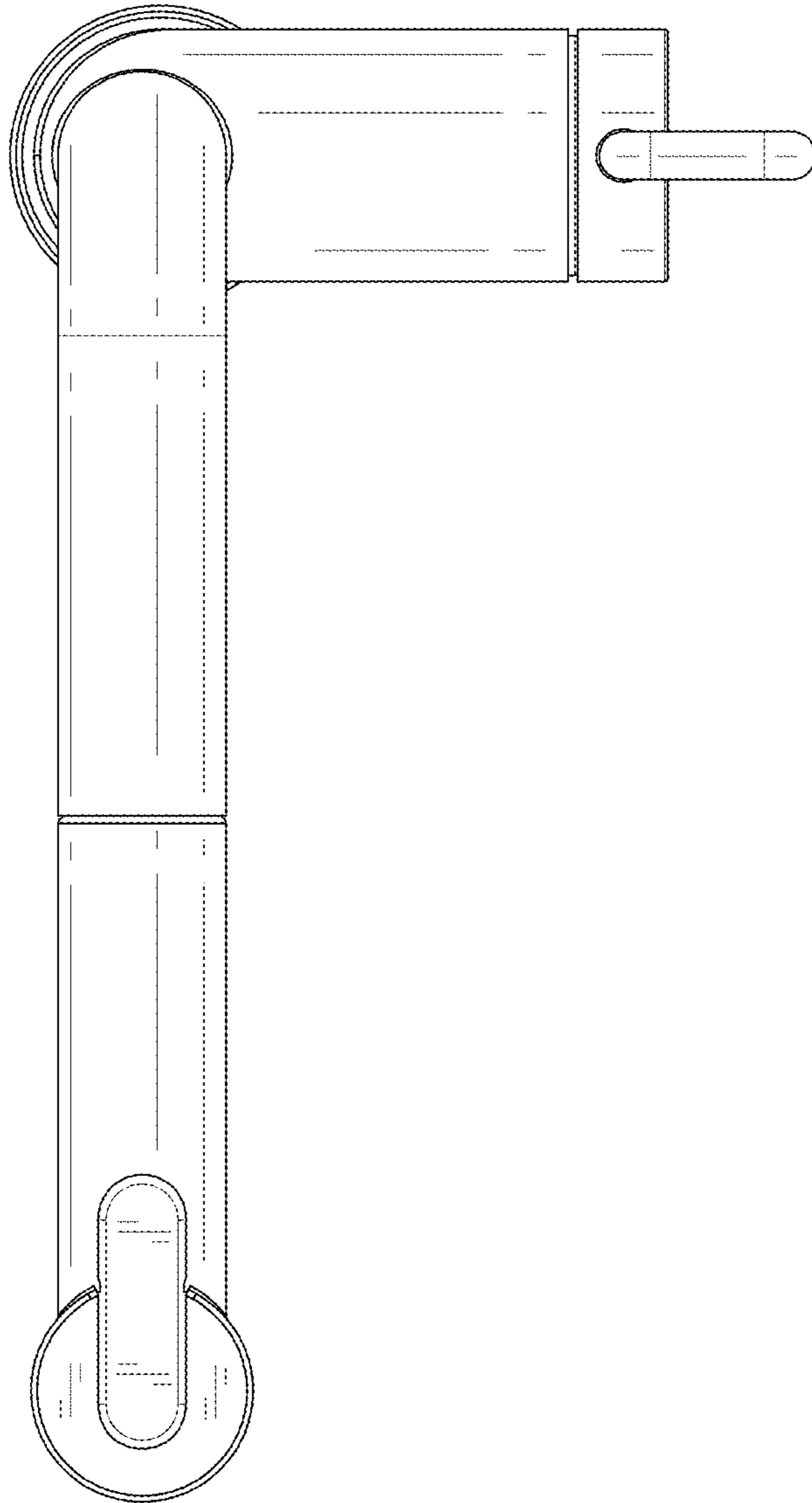


FIG. 7



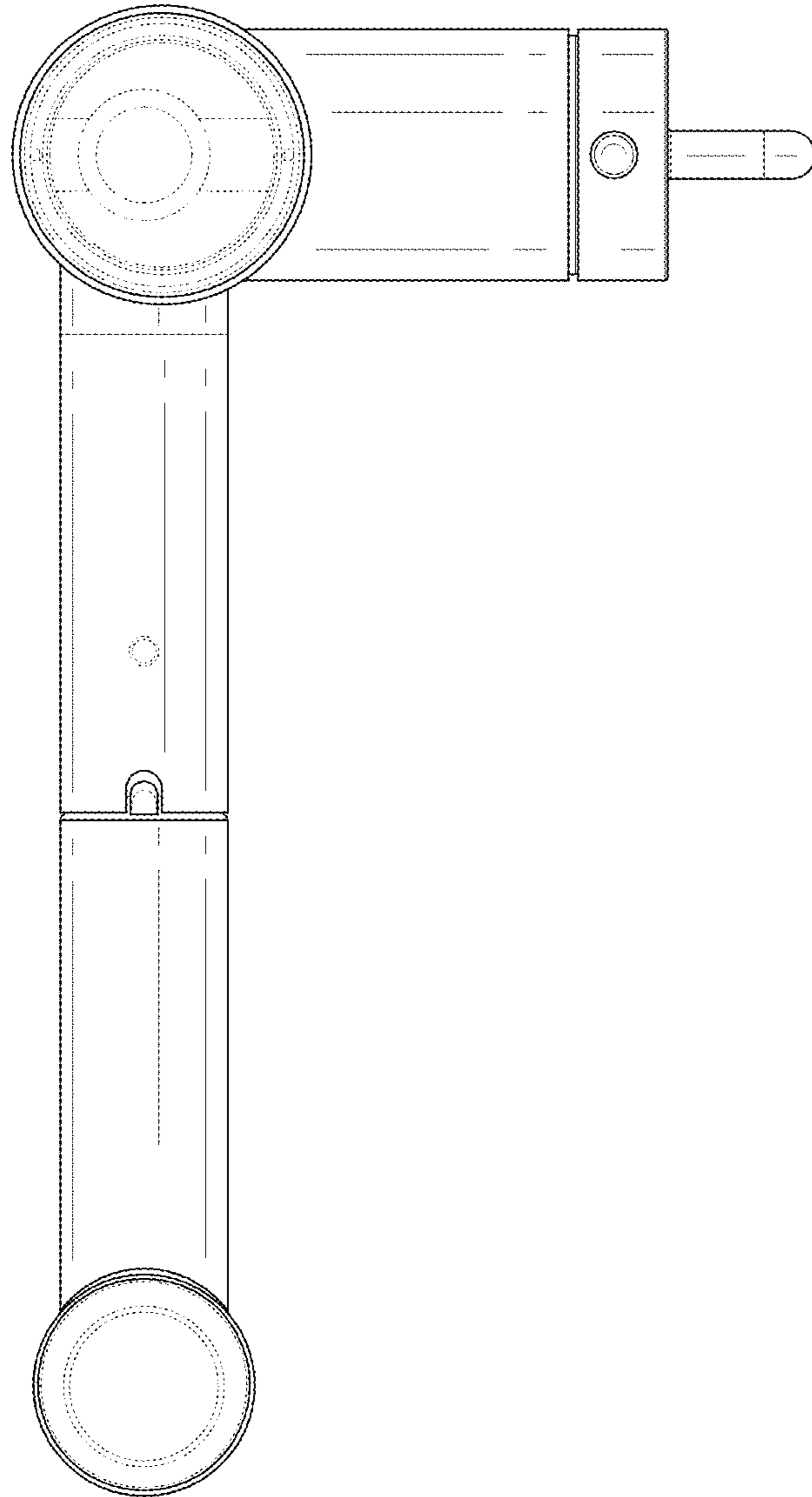


FIG. 8