



US00D910816S

(12) **United States Design Patent**  
**Yoshida et al.**

(10) **Patent No.:** **US D910,816 S**

(45) **Date of Patent:** **\*\* Feb. 16, 2021**

(54) **ELECTROMAGNETIC VALVE**

(56) **References Cited**

(71) Applicant: **SMC CORPORATION**, Chiyoda-ku  
(JP)

U.S. PATENT DOCUMENTS

(72) Inventors: **Masaru Yoshida**, Ushiku (JP); **Kenichi  
Matsumura**, Kashiwa (JP)

D720,046 S	*	12/2014	Morodomi	.....	D23/233
D736,894 S	*	8/2015	Morodomi	.....	D23/233
D740,918 S	*	10/2015	Morodomi	.....	D23/233
D846,697 S	*	4/2019	Yoshimura	.....	D23/233
D857,163 S	*	8/2019	Yoshimura	.....	D23/233
D897,496 S	*	9/2020	Yoshimura	.....	D23/233

(73) Assignee: **SMC CORPORATION**, Chiyoda-ku  
(JP)

\* cited by examiner

(\*\*) Term: **15 Years**

*Primary Examiner* — Gino Colan

(21) Appl. No.: **29/717,557**

(74) *Attorney, Agent, or Firm* — Oblon, McClelland,  
Maier & Neustadt, L.L.P.

(22) Filed: **Dec. 18, 2019**

(57) **CLAIM**

The ornamental design for an electromagnetic valve, as shown and described.

(30) **Foreign Application Priority Data**

**DESCRIPTION**

Jul. 23, 2019 (JP) ..... 2019-016463

(51) **LOC (13) Cl.** ..... **23-01**

FIG. 1 is a front, top, and left side perspective view of a an electromagnetic valve;

(52) **U.S. Cl.**  
USPC ..... **D23/233**

FIG. 2 is a rear, bottom, and right side view thereof;

(58) **Field of Classification Search**  
USPC .... D23/233, 235, 249; 137/884, 597, 512.4,  
137/625.64; 251/129.15

FIG. 3 is a front elevational view thereof;

FIG. 4 is a rear elevational view thereof,

FIG. 5 is a top plan view thereof;

FIG. 6 is a bottom plan view thereof;

FIG. 7 is a left side elevational view thereof; and,

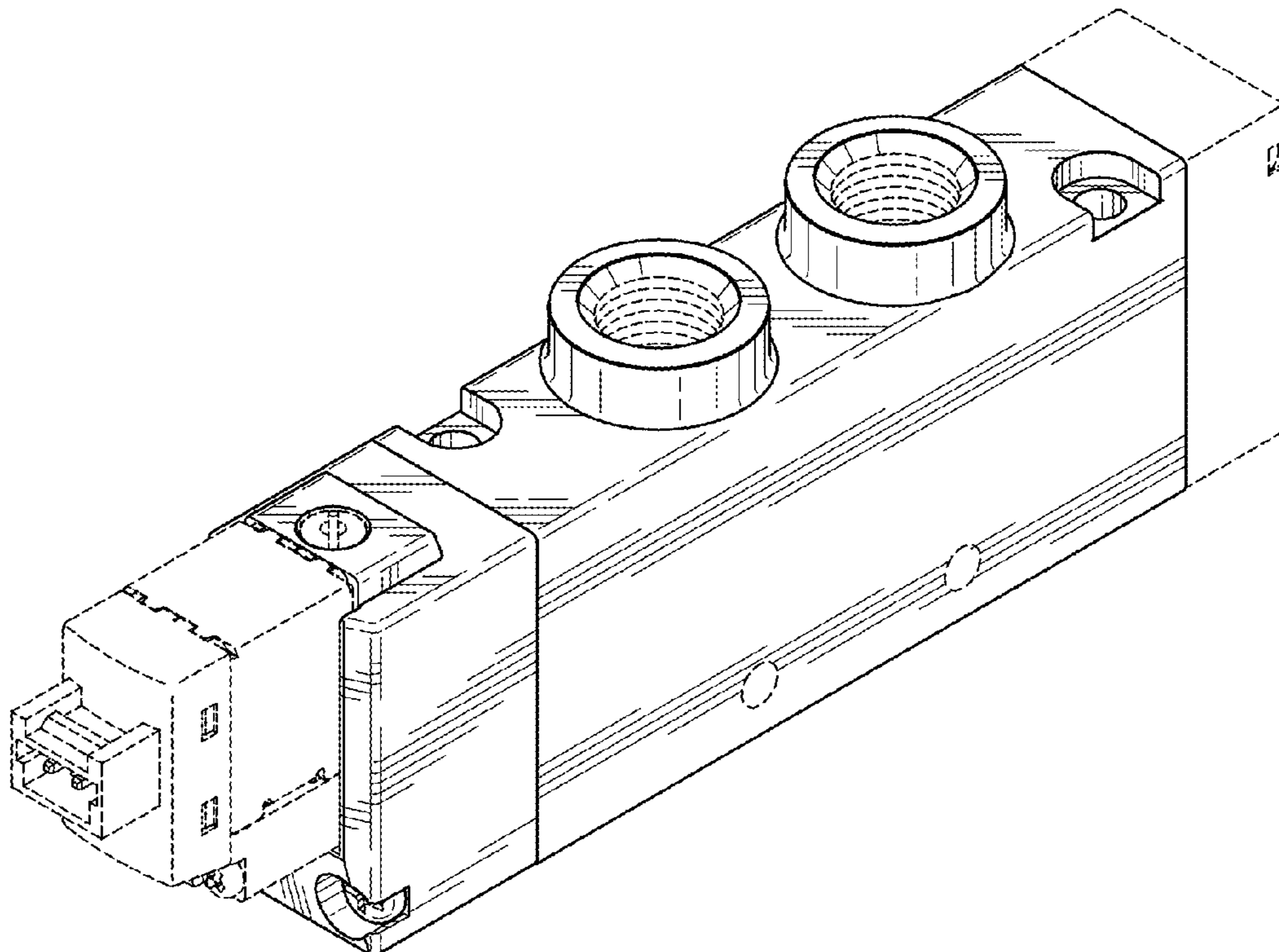
FIG. 8 is a right side elevational view thereof.

The broken lines shown in the figures are for the purpose of illustrating portions of the electromagnetic valve that form no part of the claimed design.

CPC .. F16K 31/0675; F16K 27/029; F16K 31/082;  
F16K 27/048; F16K 31/06; F16K 11/24;  
F16K 27/003; F02M 63/0017; F02M  
51/061; F02M 59/466; F02M 2025/0845;  
F15B 13/0814; F15B 13/0821; F15B  
13/0817

See application file for complete search history.

**1 Claim, 7 Drawing Sheets**



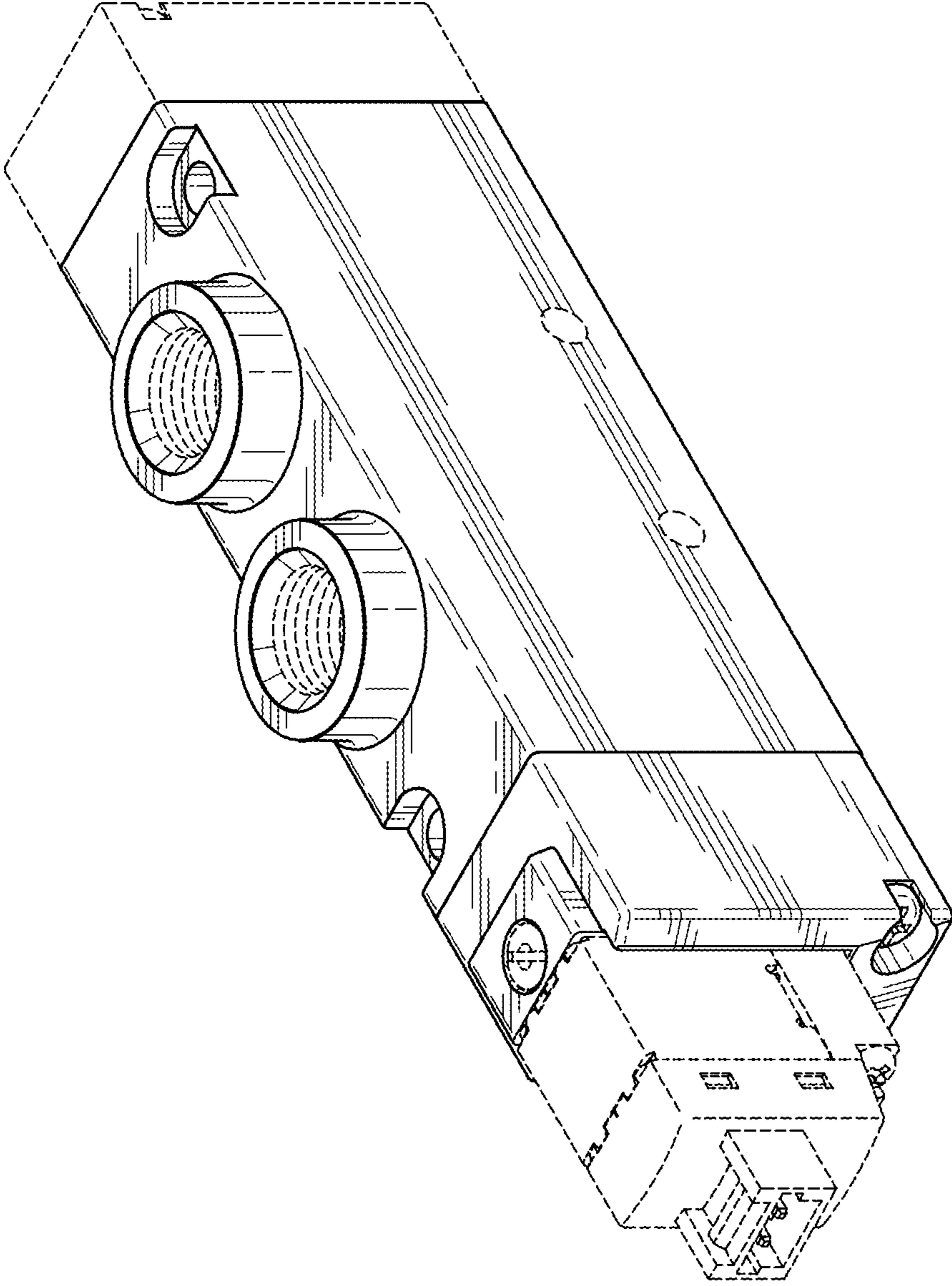


FIG. 1

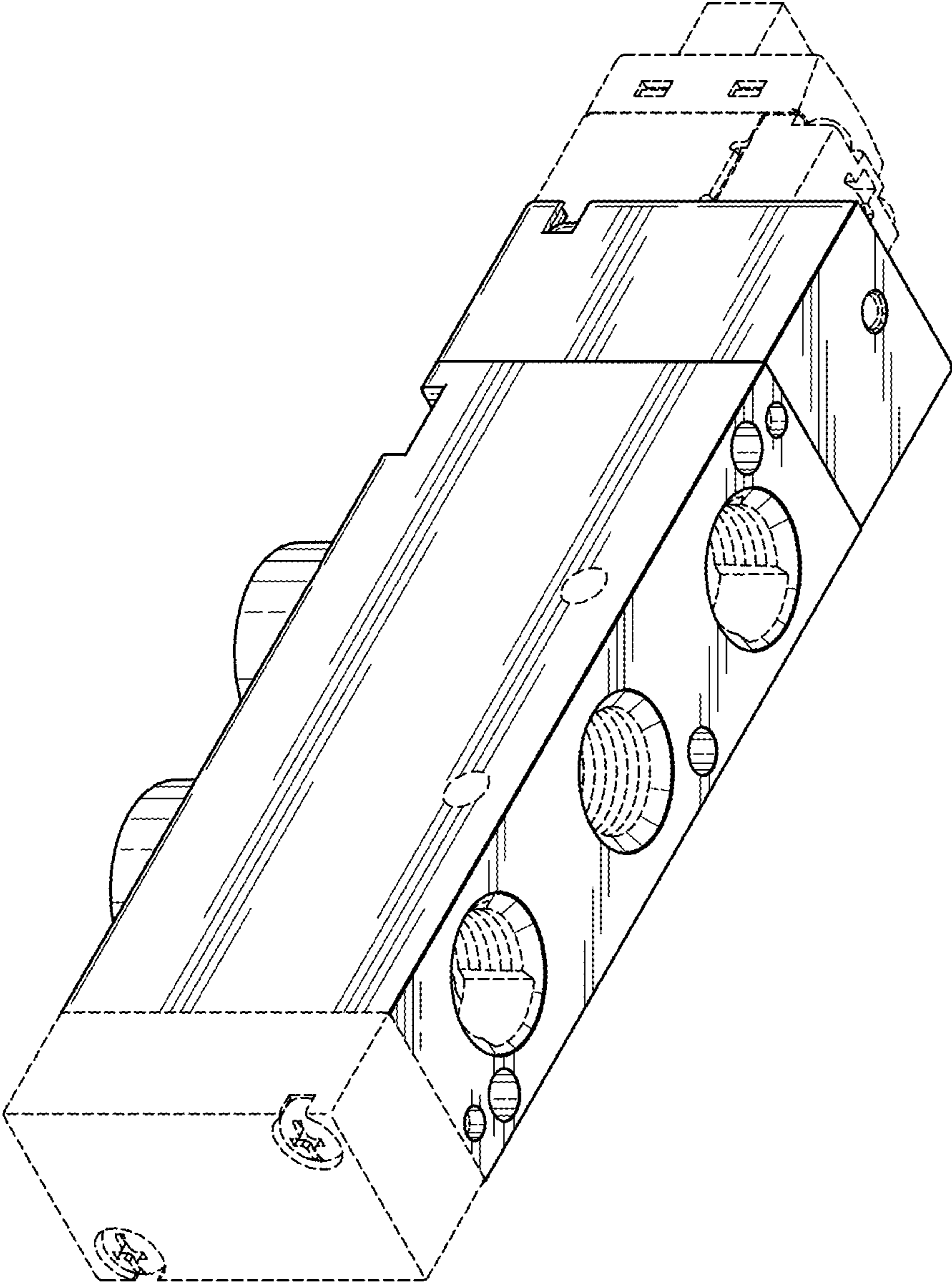


FIG. 2

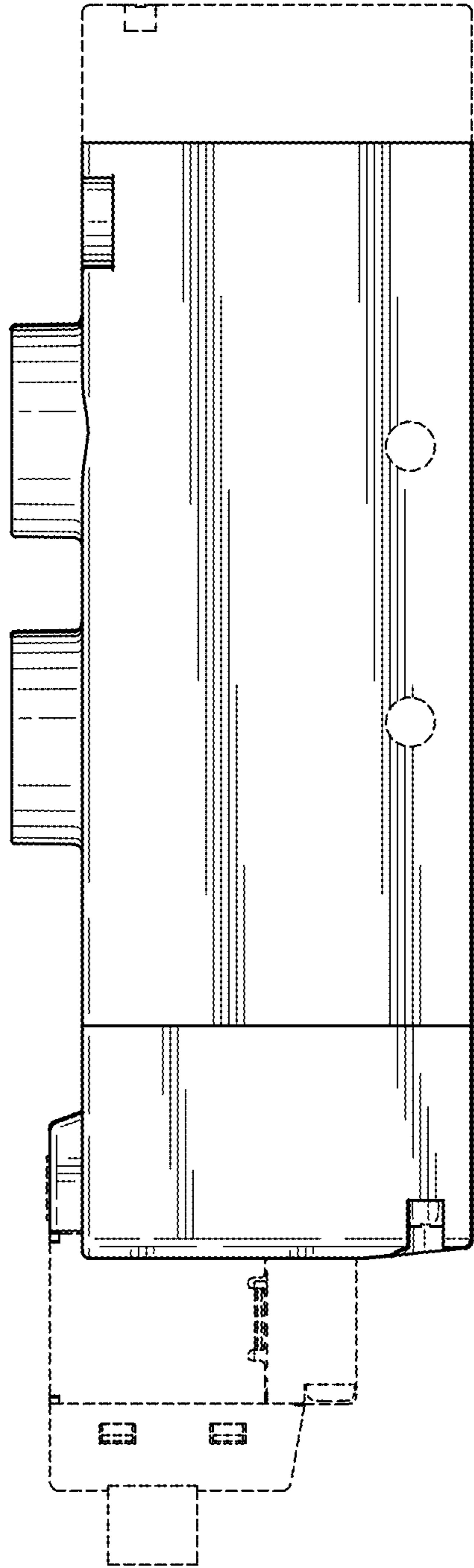


FIG. 3

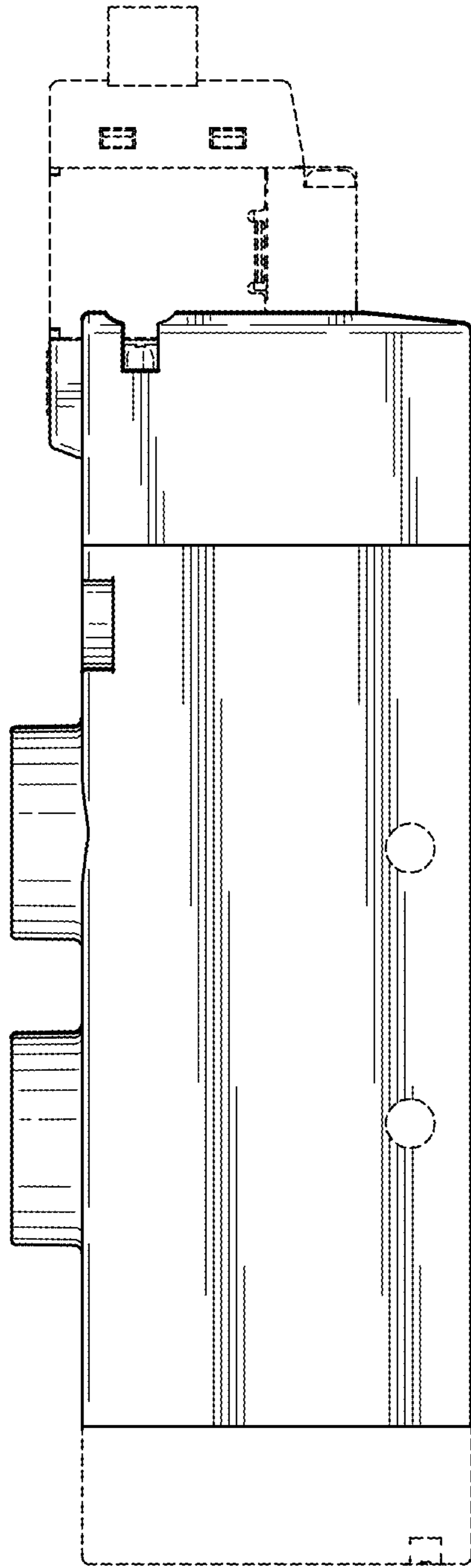


FIG. 4



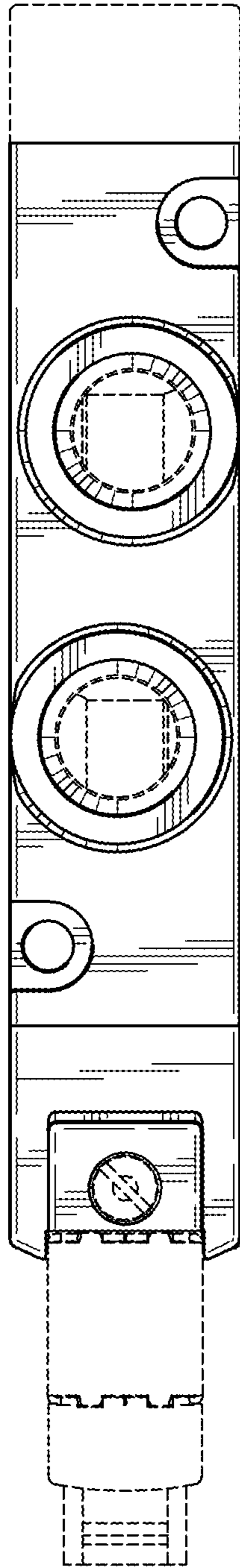


FIG. 5



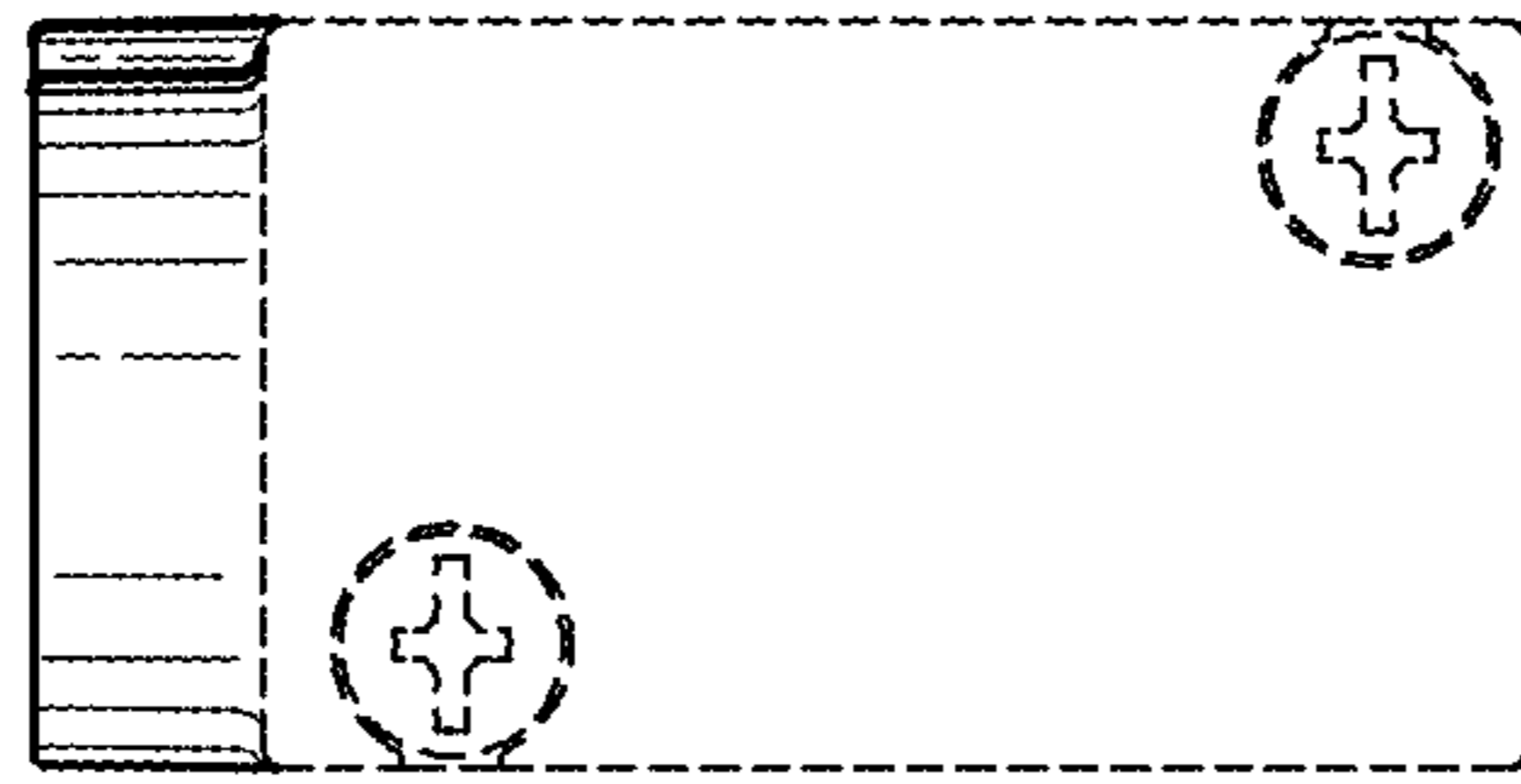


FIG. 8

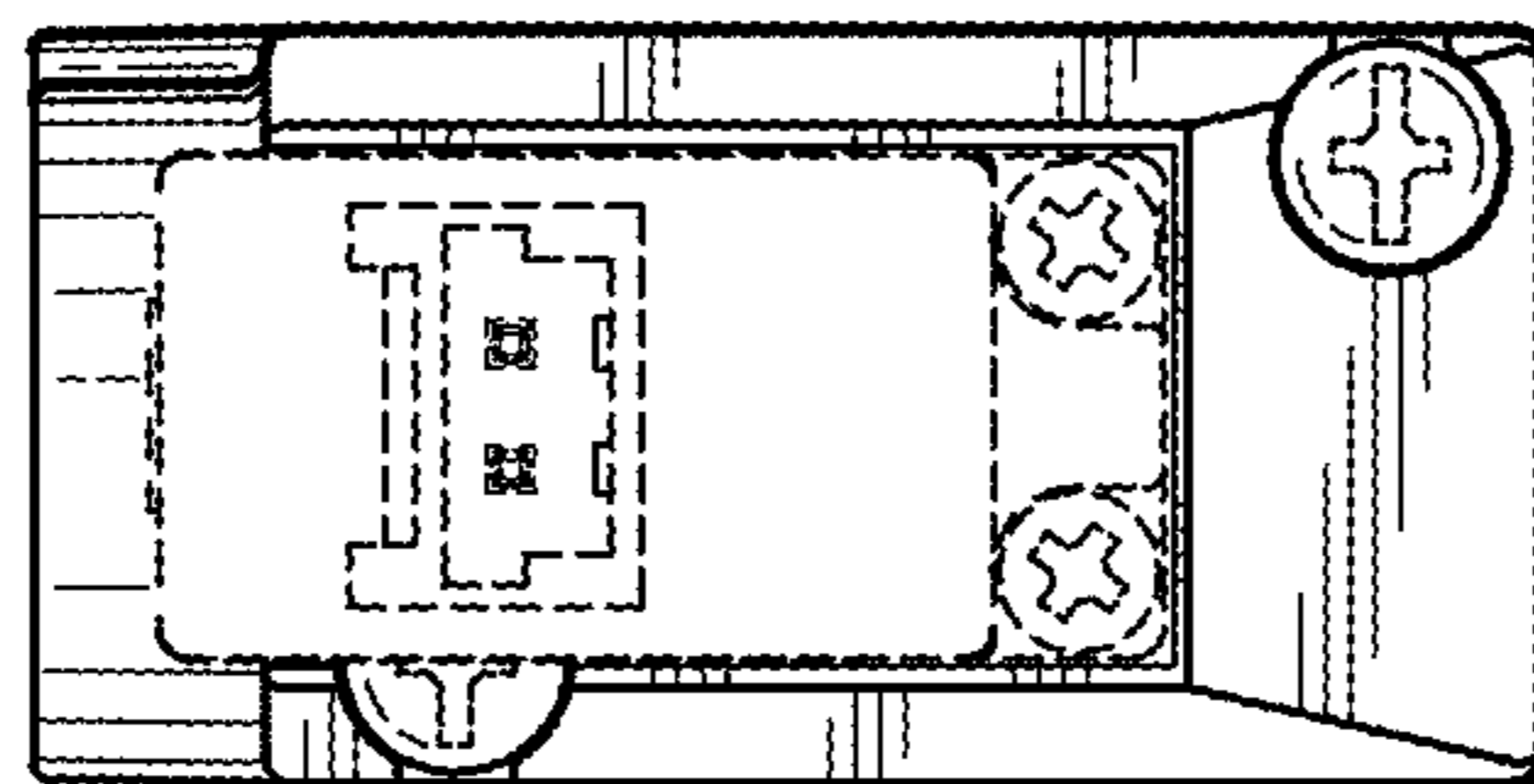


FIG. 7