



US00D910815S

(12) **United States Design Patent** (10) **Patent No.:** **US D910,815 S**
Yoshimura et al. (45) **Date of Patent:** **** Feb. 16, 2021**

(54) **ELECTROMAGNETIC VALVE**

(56) **References Cited**

(71) Applicant: **SMC CORPORATION**, Chiyoda-ku (JP)

U.S. PATENT DOCUMENTS

(72) Inventors: **Shinichi Yoshimura**, Moriya (JP); **Minchiko Mita**, Joso (JP); **Takashi Murakami**, Moriya (JP); **Shunsuke Fujii**, Nagareyama (JP)

D827,777 S *	9/2018	Miyazoe	D23/233
D827,778 S *	9/2018	Miyazoe	D23/233
D872,833 S *	1/2020	Takahashi	D23/233
D891,586 S *	7/2020	Sekine	D23/249
D892,981 S *	8/2020	Takahashi	D23/233
D892,982 S *	8/2020	Takahashi	D23/233

(73) Assignee: **SMC CORPORATION**, Chiyoda-ku (JP)

* cited by examiner

(**) Term: **15 Years**

Primary Examiner — Gino Colan

(21) Appl. No.: **29/712,666**

(74) *Attorney, Agent, or Firm* — Oblon, McClelland, Maier & Neustadt, L.L.P.

(22) Filed: **Nov. 11, 2019**

(57) **CLAIM**

The ornamental design for an electromagnetic valve, as shown and described.

(30) **Foreign Application Priority Data**

DESCRIPTION

May 31, 2019 (JP) 2019-011947

(51) **LOC (13) Cl.** **23-01**

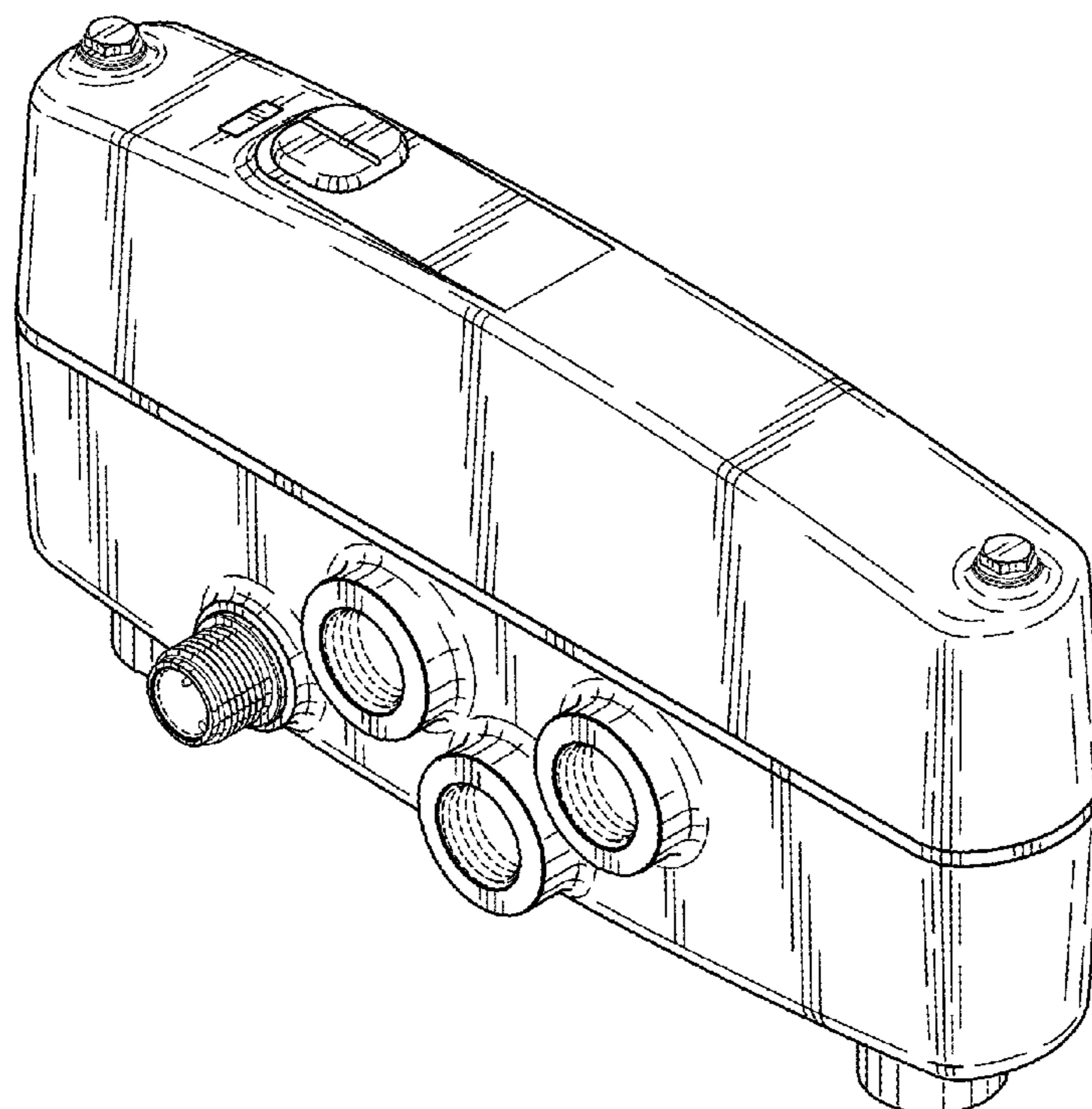
(52) **U.S. Cl.**
USPC **D23/233**

(58) **Field of Classification Search**
USPC D23/233, 235, 249; 137/884, 597, 512.4, 137/625.64; 251/129.15
CPC .. F16K 31/0675; F16K 27/029; F16K 31/082; F16K 27/048; F16K 31/06; F16K 11/24; F16K 27/003; F02M 63/0017; F02M 51/061; F02M 59/466; F02M 2025/0845; F15B 13/0814; F15B 13/0821; F15B 13/0817

FIG. 1 is a front, top, and left side perspective view of an electromagnetic valve;
FIG. 2 is a rear, bottom, and right side perspective view thereof;
FIG. 3 is a front elevational view thereof;
FIG. 4 is a rear elevational view thereof;
FIG. 5 is a top plan view thereof;
FIG. 6 is a bottom plan view thereof;
FIG. 7 is a left side elevational view thereof; and,
FIG. 8 is a right side elevational view thereof.
The broken lines shown in the figures are for the purpose of illustrating portions of the electromagnetic valve that form no part of the claimed design.

See application file for complete search history.

1 Claim, 8 Drawing Sheets



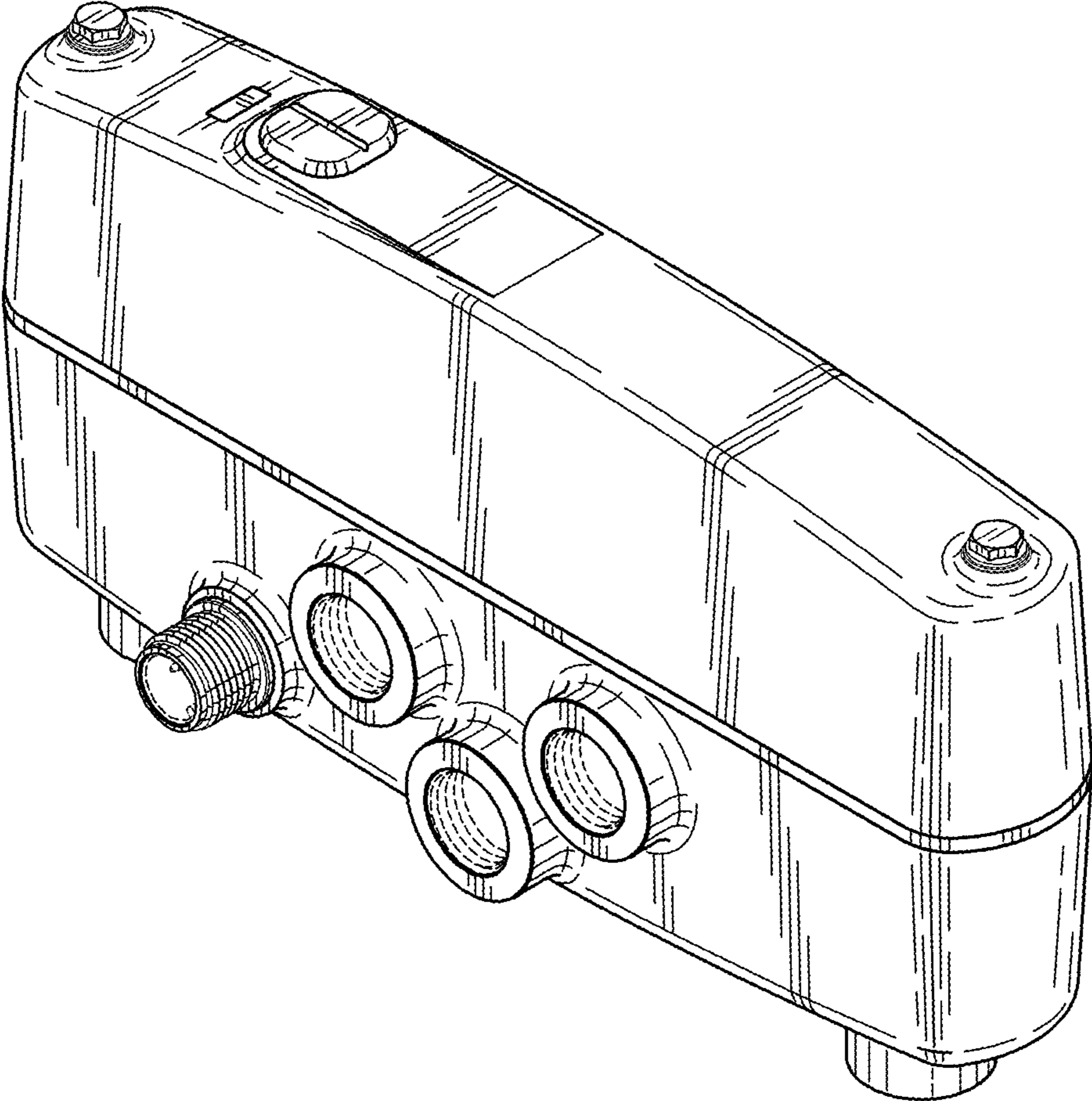


FIG. 1

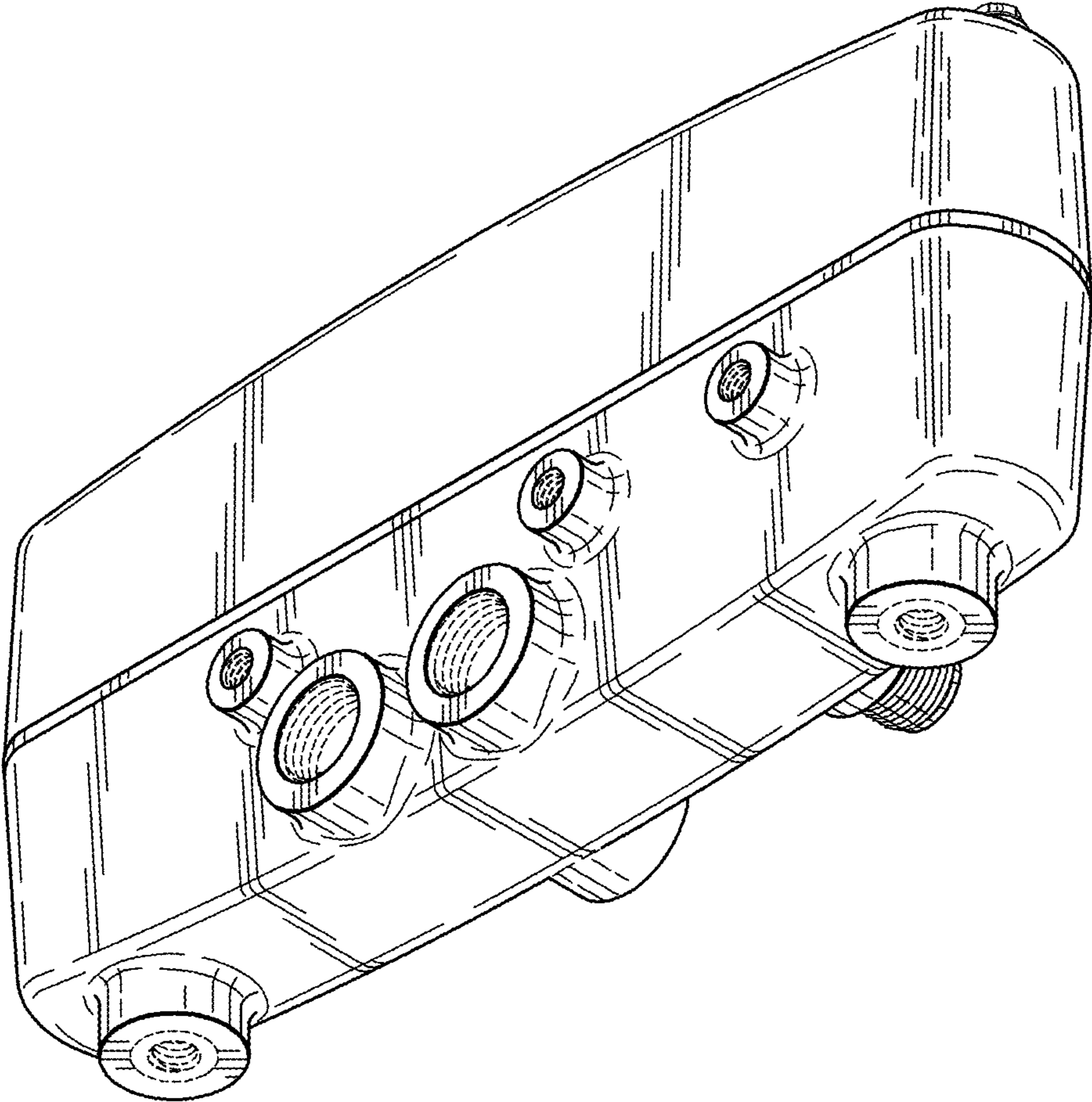


FIG. 2

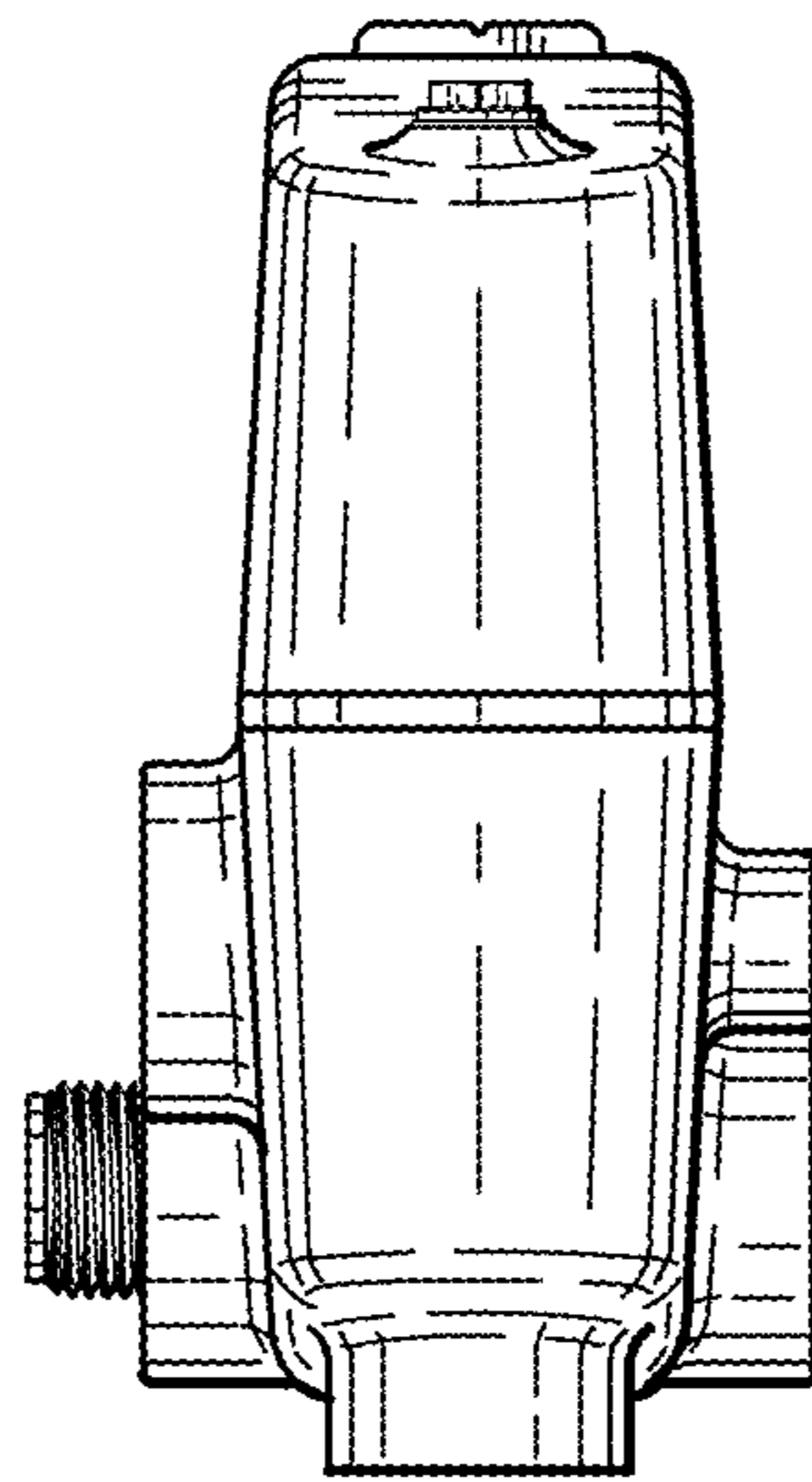


FIG. 3

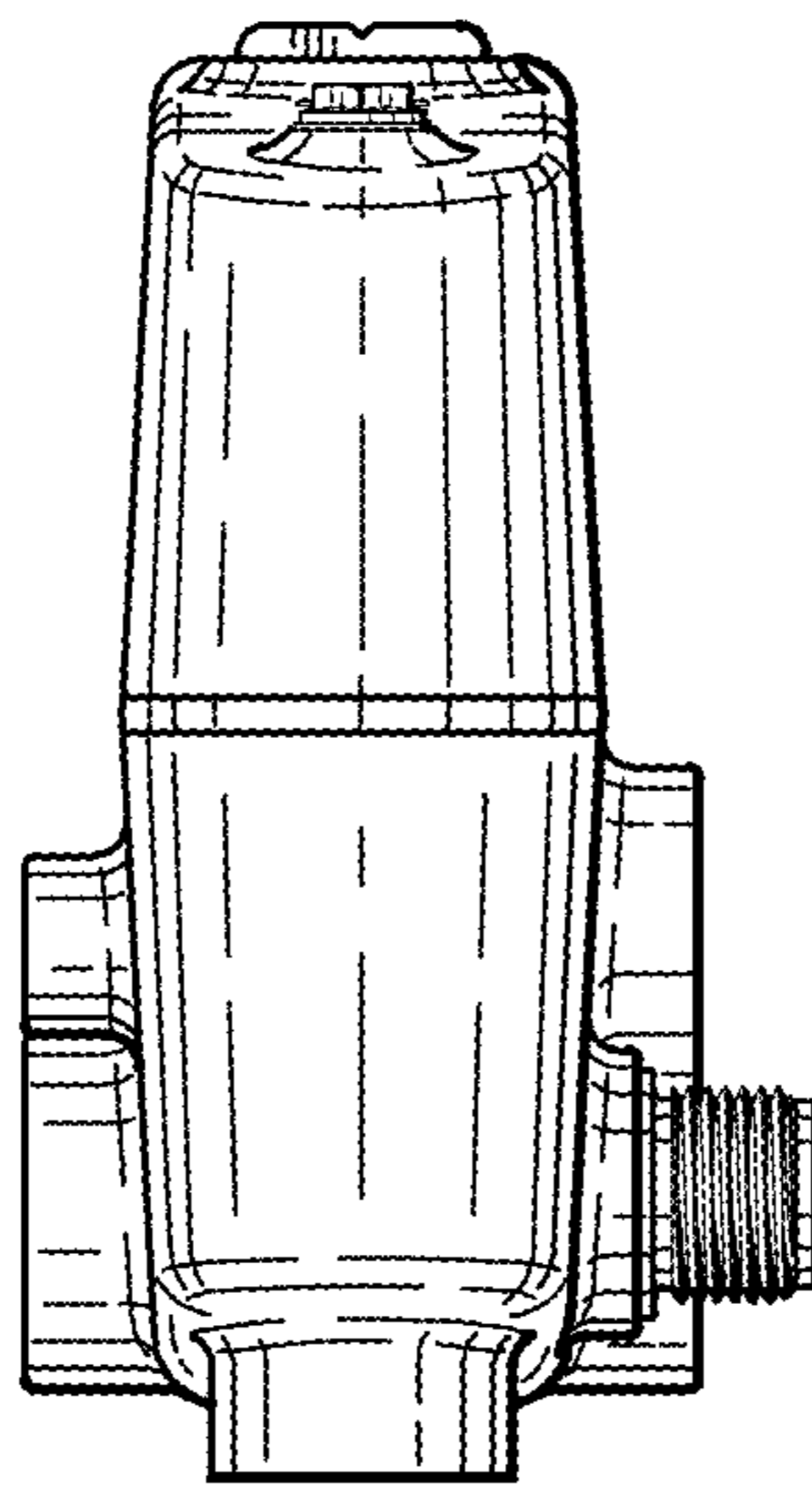


FIG. 4

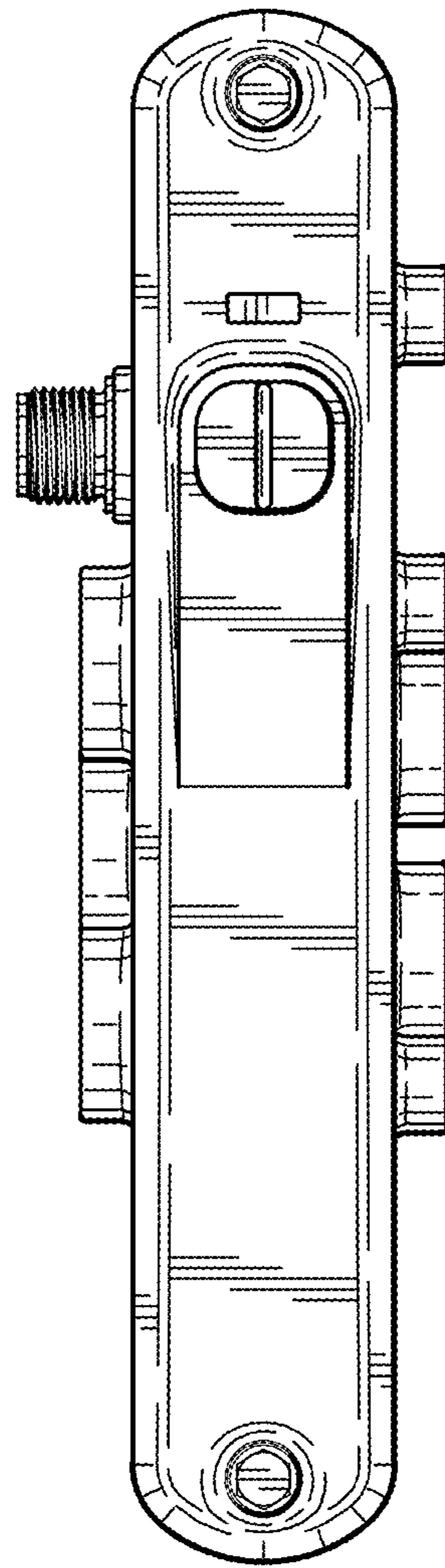


FIG. 5

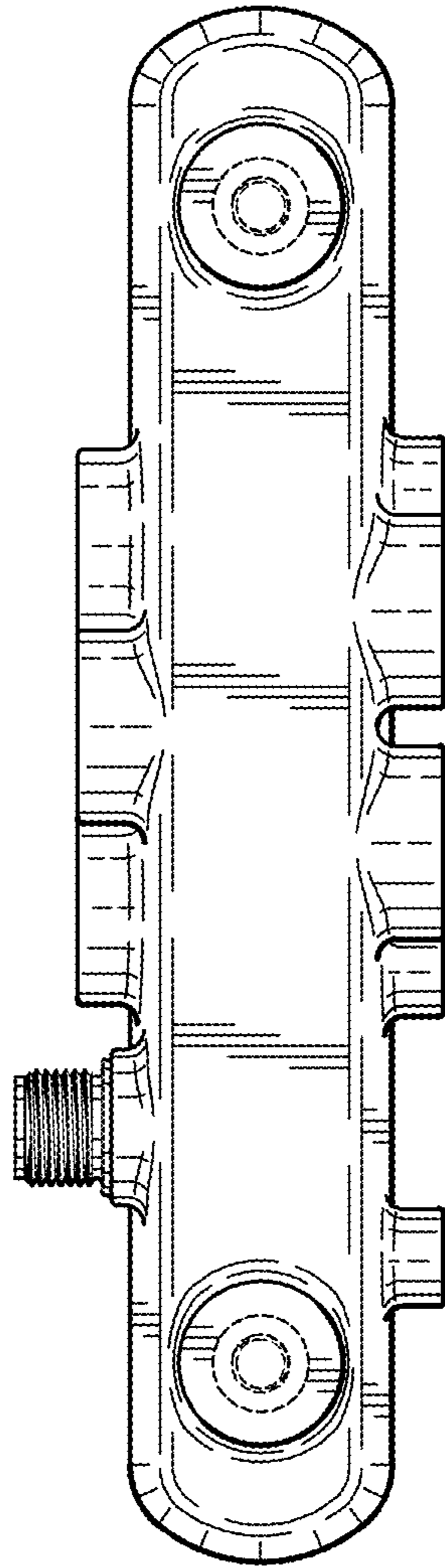


FIG. 6

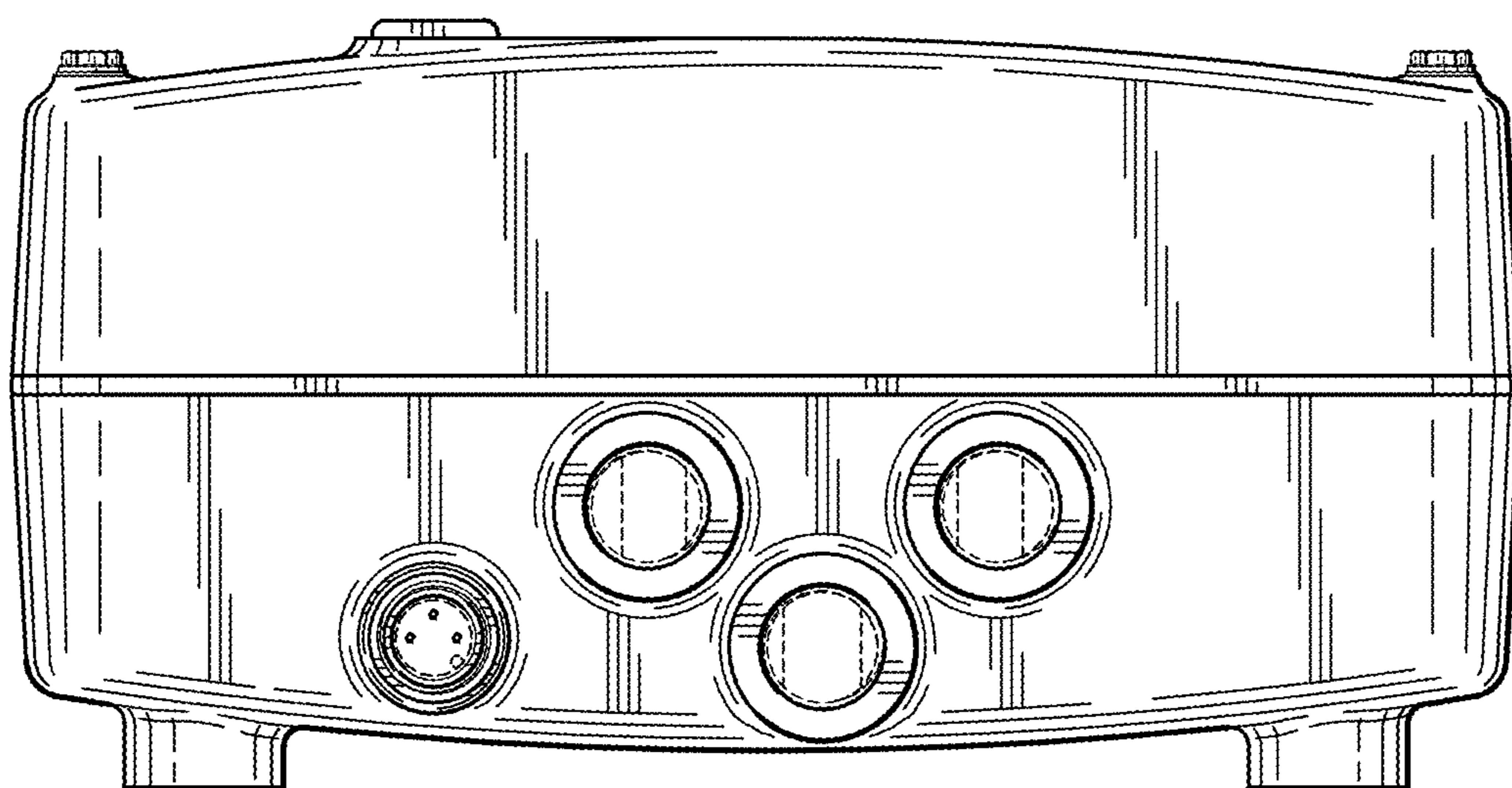


FIG. 7

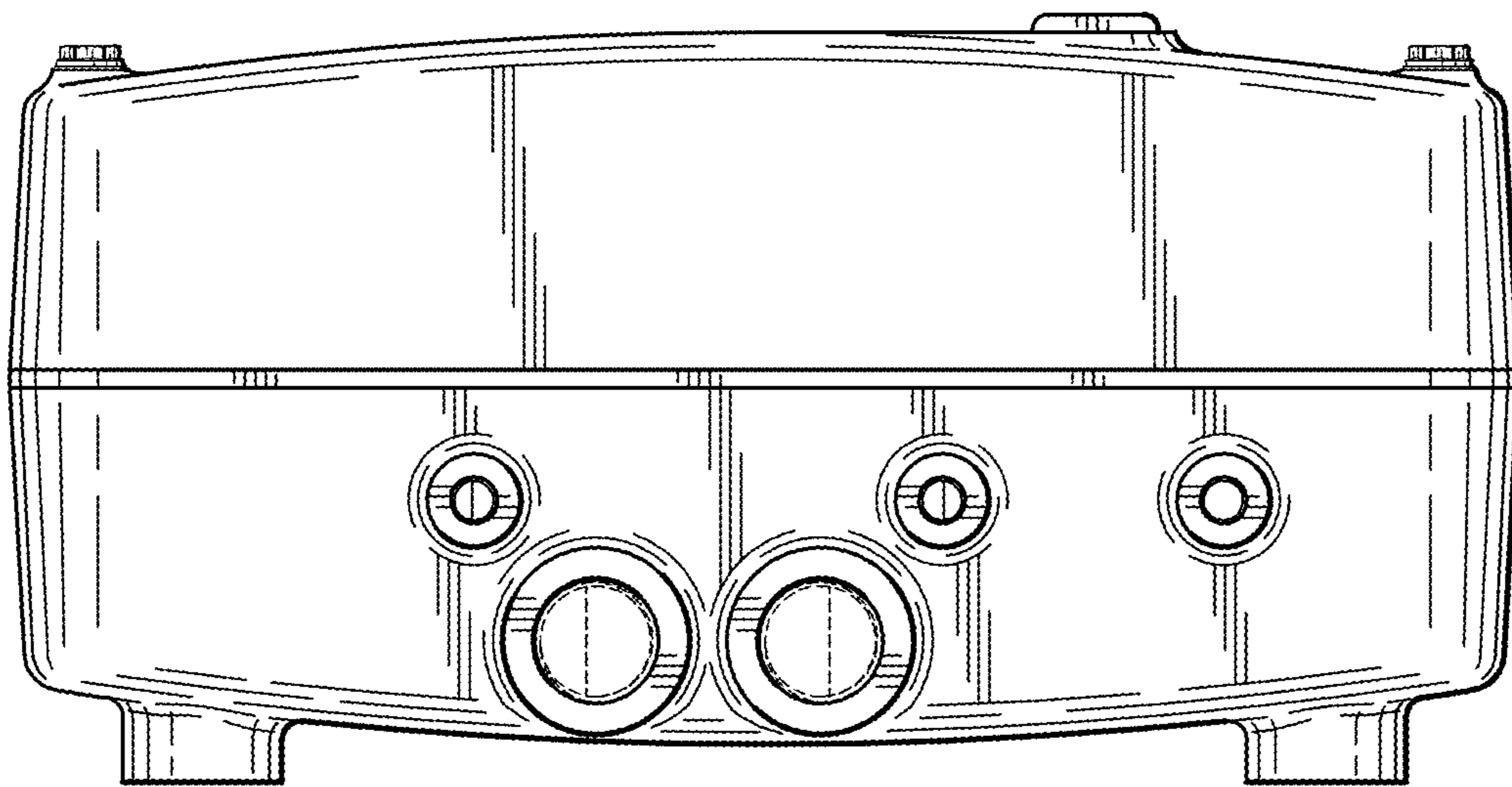


FIG. 8