



US00D910813S

(12) **United States Design Patent** (10) **Patent No.:** **US D910,813 S**  
**Takahashi et al.** (45) **Date of Patent:** **\*\* Feb. 16, 2021**

(54) **MANIFOLD TYPE ELECTROMAGNETIC VALVE**

(56) **References Cited**

(71) Applicant: **SMC CORPORATION**, Chiyoda-ku (JP)

(72) Inventors: **Masaharu Takahashi**, Moriya (JP);  
**Takashi Murakami**, Moriya (JP);  
**Shinichi Yoshimura**, Moriya (JP);  
**Shinji Miyazoe**, Moriya (JP)

(73) Assignee: **SMC CORPORATION**, Chiyoda-ku (JP)

(\*\*) Term: **15 Years**

(21) Appl. No.: **29/665,867**

(22) Filed: **Oct. 8, 2018**

(30) **Foreign Application Priority Data**

Apr. 9, 2018 (JP) ..... 2018-007741

(51) **LOC (13) Cl.** ..... **23-01**

(52) **U.S. Cl.**  
USPC ..... **D23/233**

(58) **Field of Classification Search**  
USPC .... D23/233, 235, 249; 137/884, 597, 512.4,  
137/625.64  
CPC .. F16K 31/0675; F16K 27/029; F16K 31/082;  
F16K 27/048; F16K 31/06; F16K 11/24;  
F16K 27/003; F02M 63/0017; F02M  
51/061; F02M 59/466; F02M 2025/0845;  
F15B 13/0814; F15B 13/0821; F15B  
13/0817

See application file for complete search history.

U.S. PATENT DOCUMENTS

D822,795 S *	7/2018	Peschel .....	D23/233
D827,777 S *	9/2018	Miyazoe .....	D23/233
D827,778 S *	9/2018	Miyazoe .....	D23/233
D872,833 S *	1/2020	Takahashi .....	D23/233
D892,981 S *	8/2020	Takahashi .....	D23/233
D892,982 S *	8/2020	Takahashi .....	D23/233

\* cited by examiner

*Primary Examiner* — Gino Colan

(74) *Attorney, Agent, or Firm* — Oblon, McClelland,  
Maier & Neustadt, L.L.P.

(57) **CLAIM**

The ornamental design for a manifold type electromagnetic valve, as shown and described.

**DESCRIPTION**

FIG. 1 is a front, top, and left side perspective view of a manifold type electromagnetic valve;  
FIG. 2 is a rear, bottom, and right side perspective view thereof;  
FIG. 3 is a front elevational view thereof;  
FIG. 4 is a rear elevational view thereof;  
FIG. 5 is a top plan view thereof;  
FIG. 6 is a bottom plan view thereof;  
FIG. 7 is a left side elevational view thereof; and,  
FIG. 8 is a right side elevational view thereof.  
The broken lines shown in the figures are for the purpose of illustrating portions of the manifold type electromagnetic valve that form no part of the claimed design.

**1 Claim, 8 Drawing Sheets**

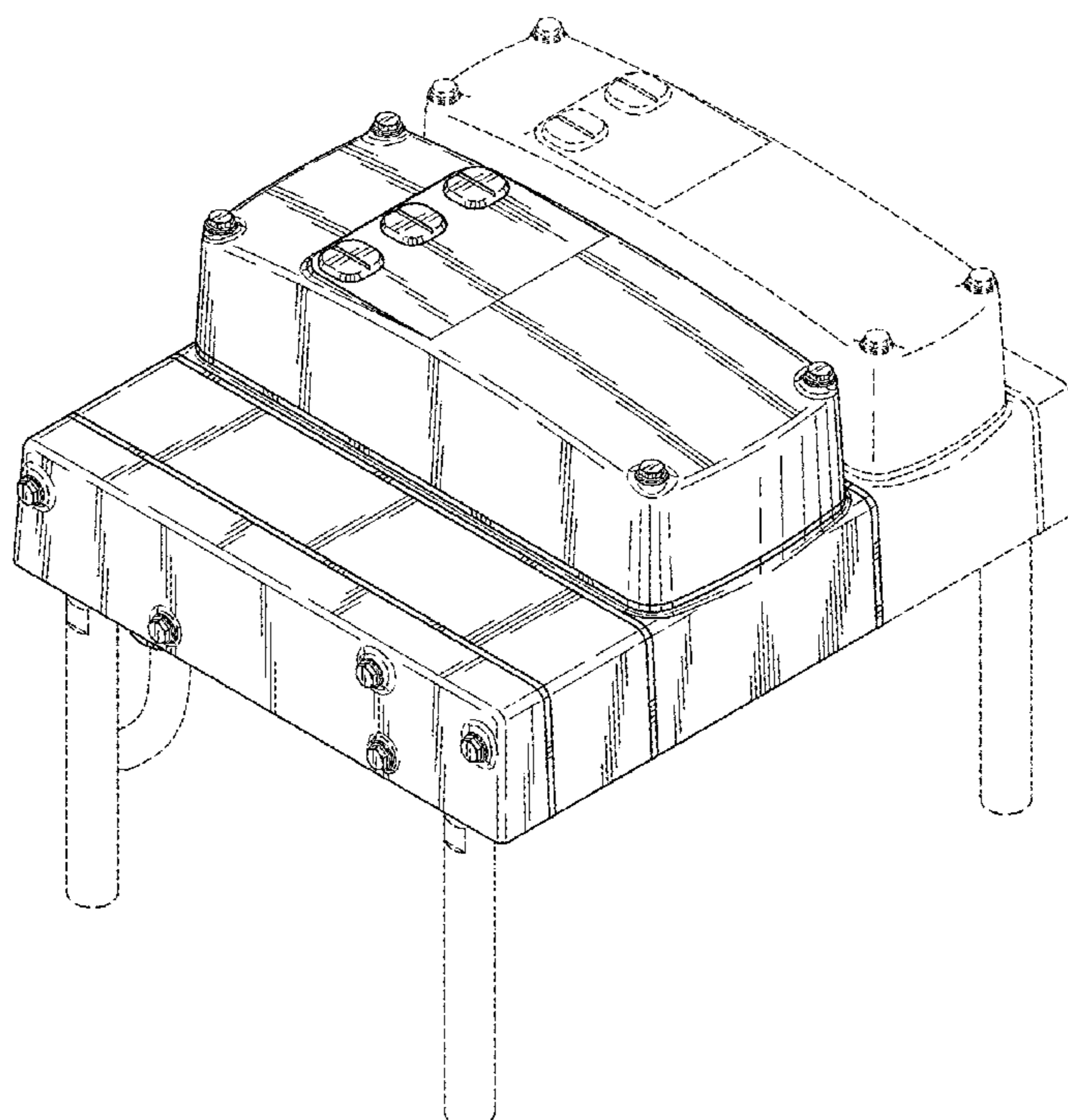


FIG. 1

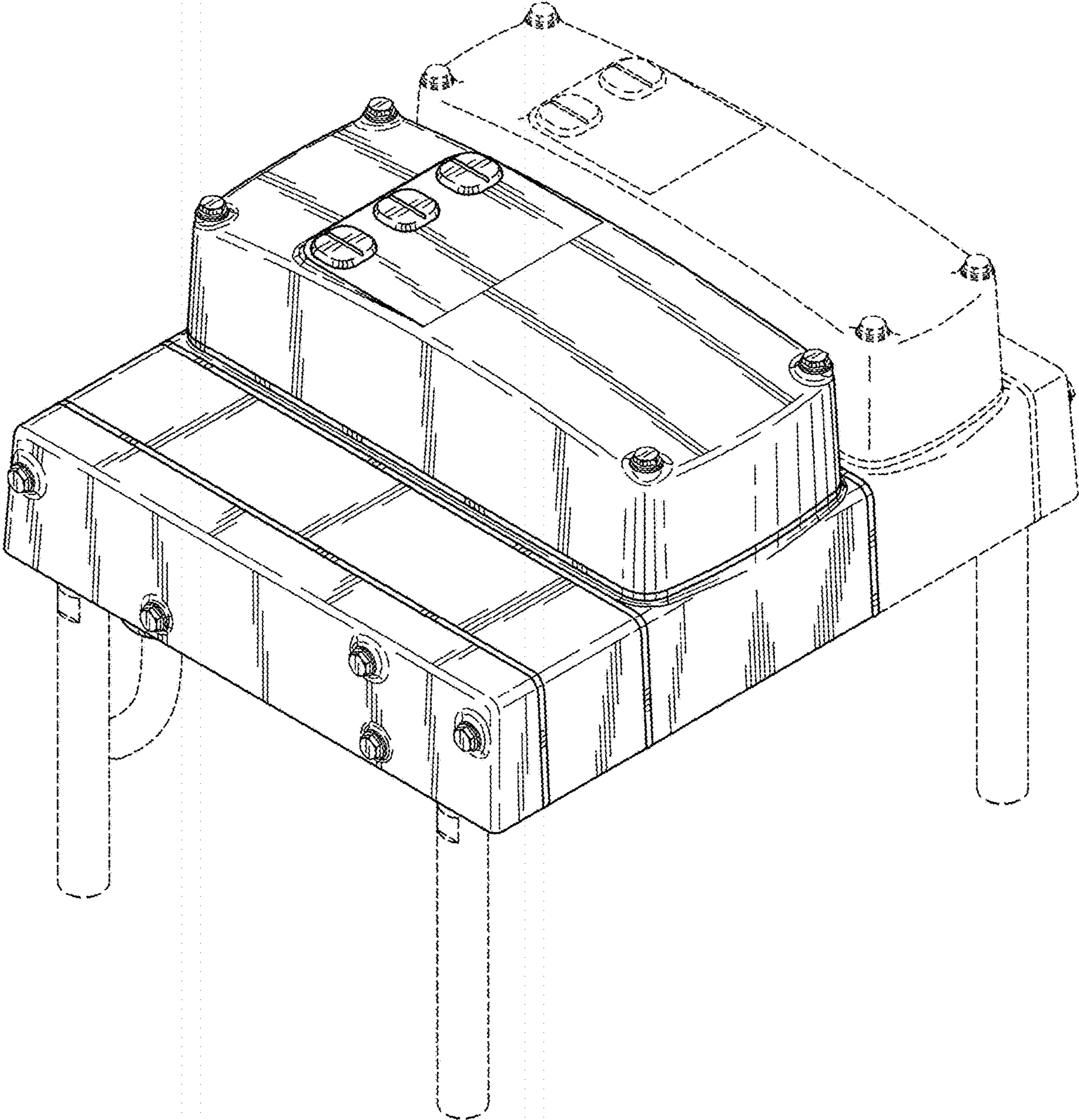


FIG. 2

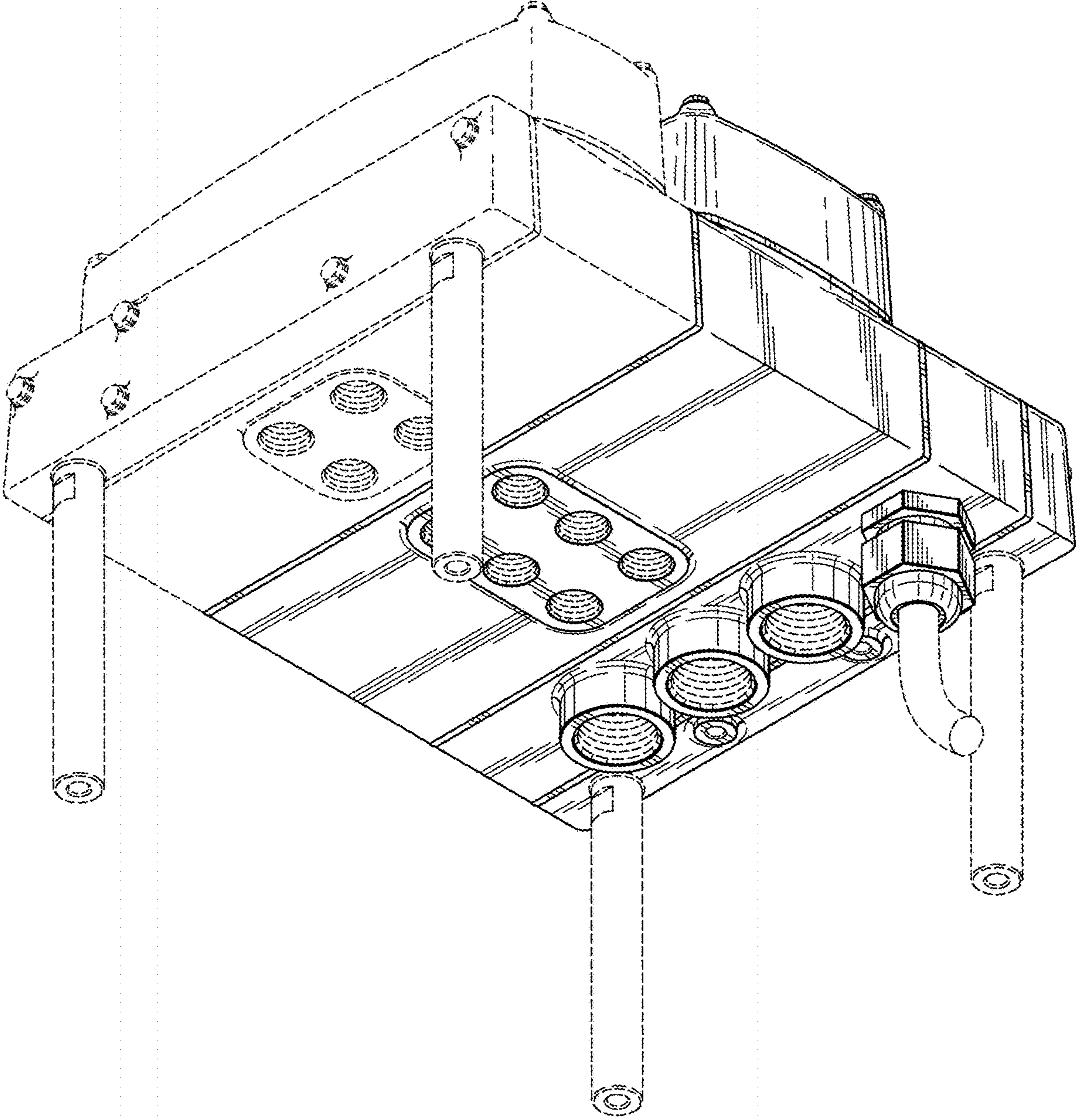


FIG. 3

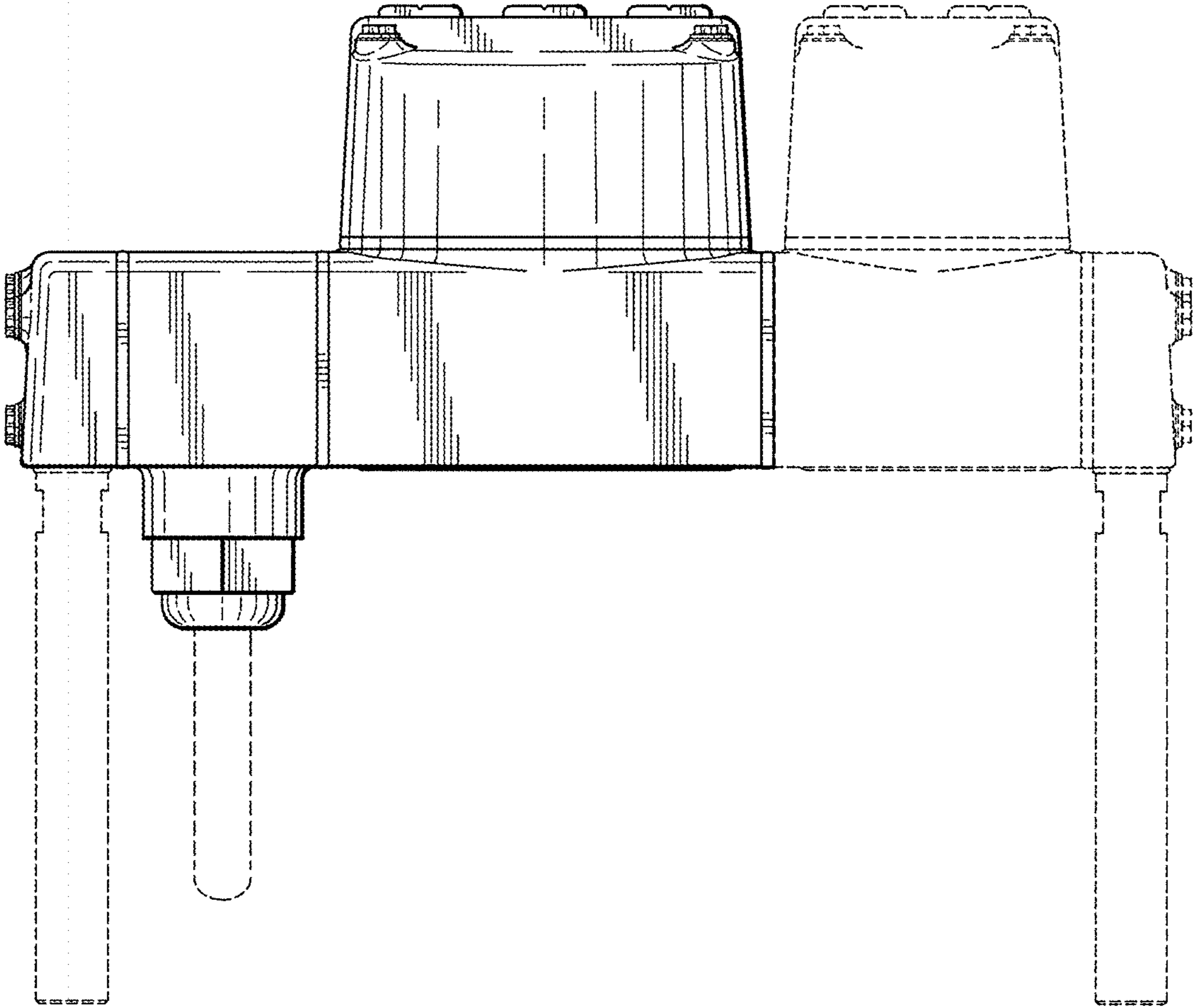


FIG. 4

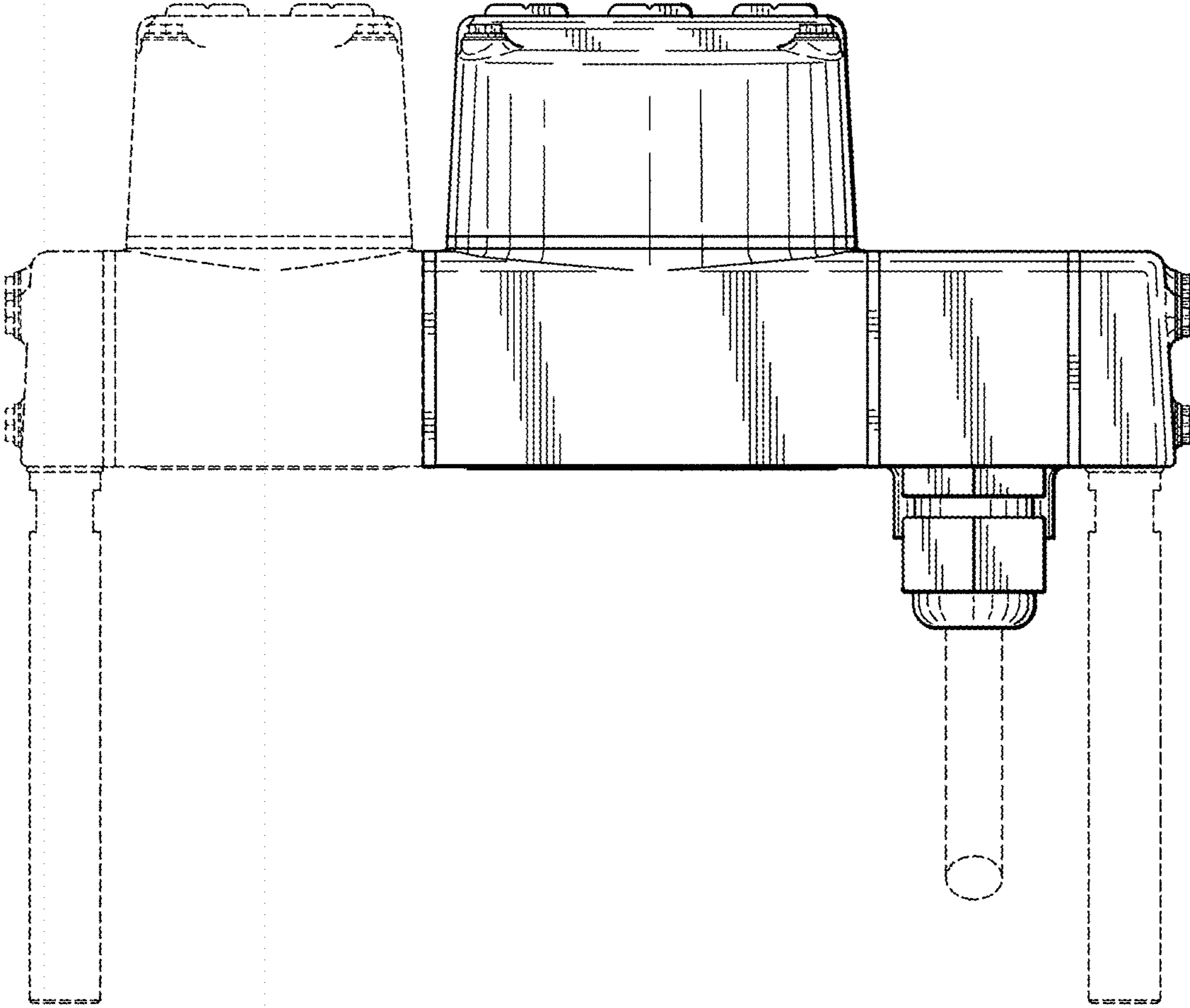


FIG. 5

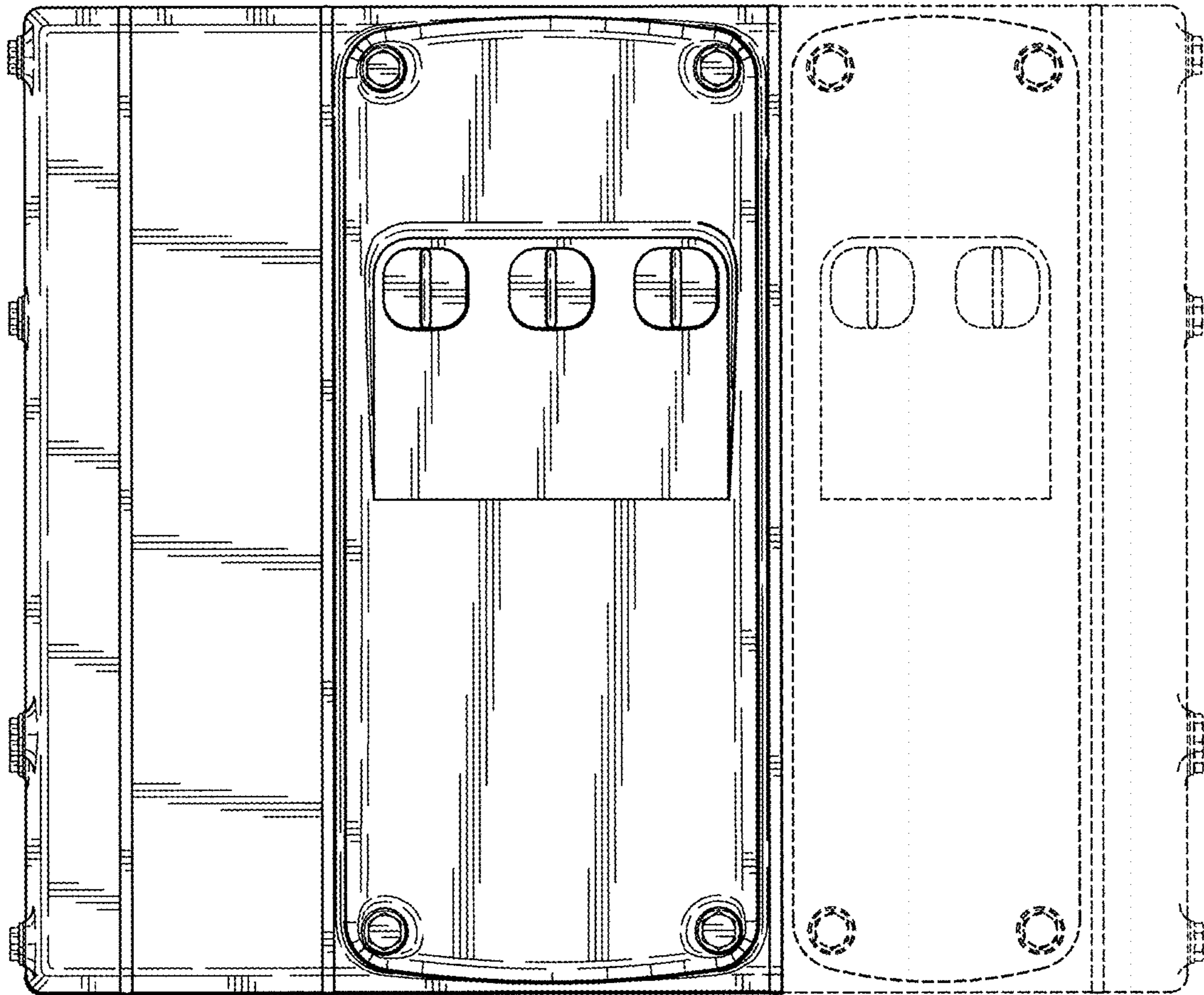


FIG. 6

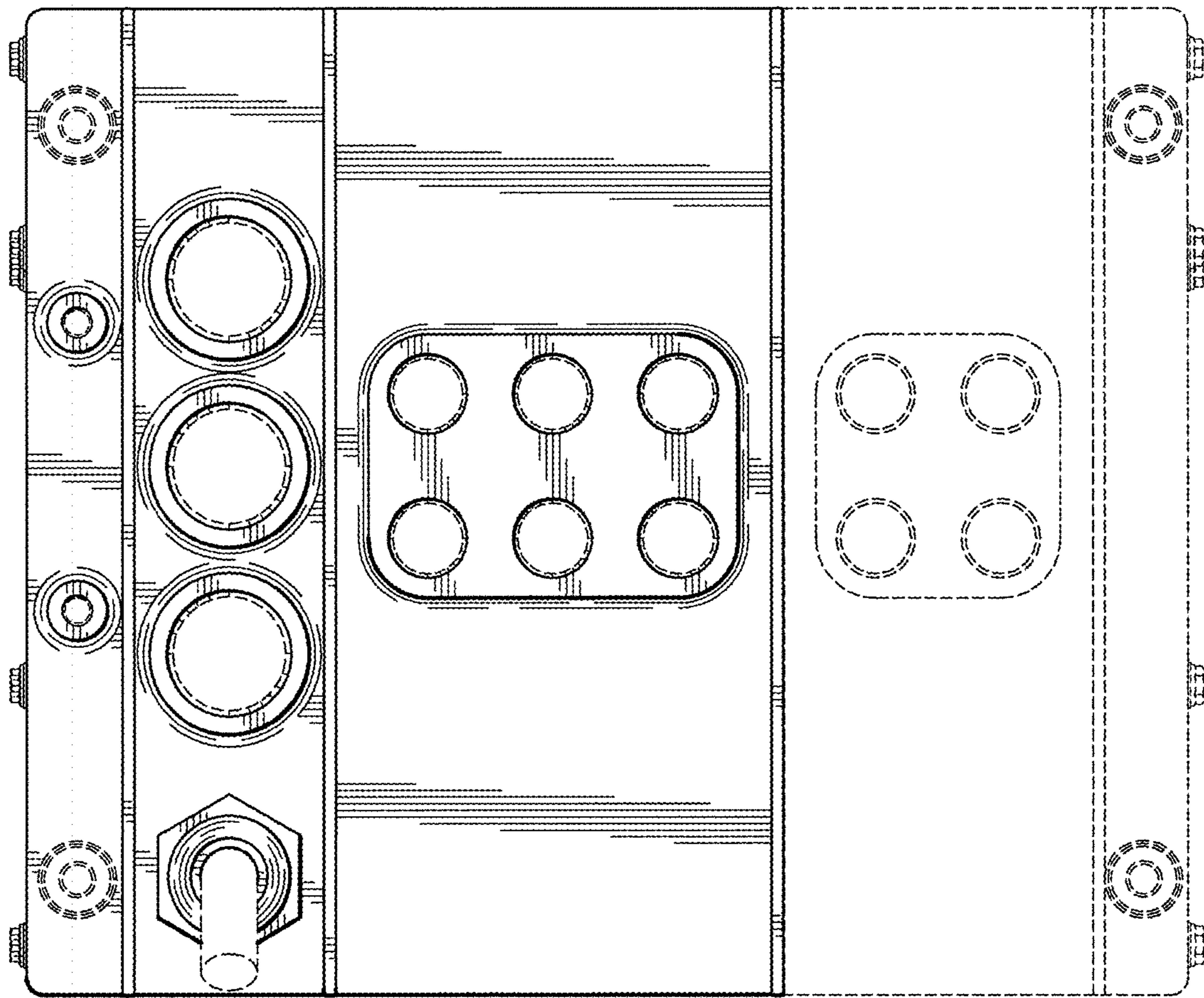


FIG. 7

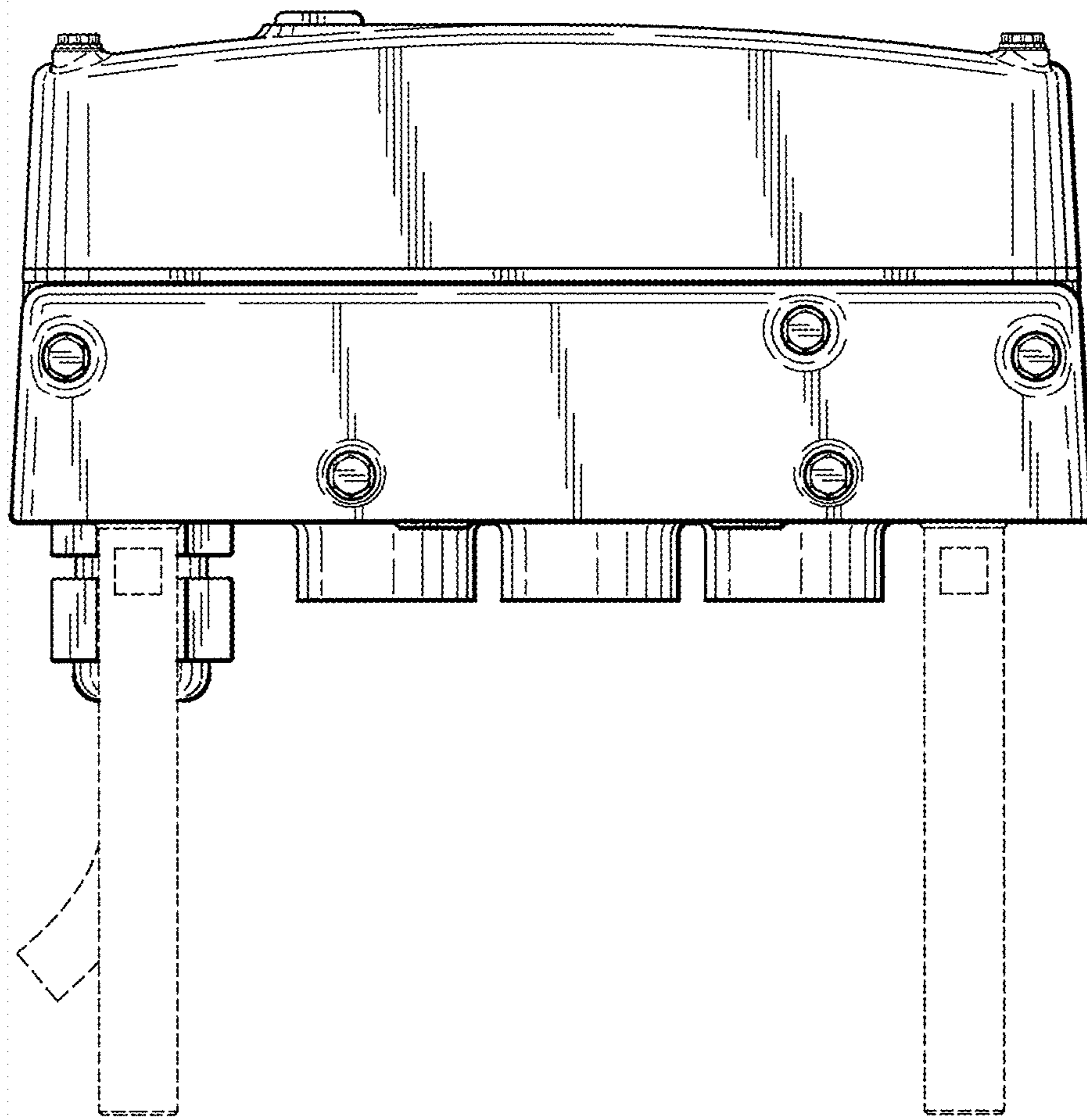




FIG. 8

