



US00D910812S

(12) **United States Design Patent**  
**Kangkang**

(10) **Patent No.:** **US D910,812 S**

(45) **Date of Patent:** **\*\* Feb. 16, 2021**

(54) **PRESSURE WASHER GUN**

(71) Applicant: **Taizhou YanKang Trade Co., Ltd,**  
Taizhou (CN)

(72) Inventor: **Tong Kangkang,** Taizhou (CN)

(\*\*) Term: **15 Years**

(21) Appl. No.: **29/745,966**

(22) Filed: **Aug. 11, 2020**

(51) **LOC (13) Cl.** ..... **23-01**

(52) **U.S. Cl.**  
USPC ..... **D23/226**

(58) **Field of Classification Search**  
USPC ..... D23/213, 214, 215, 223, 224, 226, 229,  
D23/230  
CPC ..... A61H 9/0021; A61H 33/00; B05B 1/00;  
B05B 1/14; B05B 1/185; B05B 1/08;  
B05B 1/02; B05B 1/26; B05B 12/002;  
B05B 1/18; B05B 9/01

See application file for complete search history.

(56) **References Cited**

**U.S. PATENT DOCUMENTS**

D291,113 S	*	7/1987	Bauer	.....	D23/226
D498,817 S	*	11/2004	Amaduzzi	.....	D23/226
D501,536 S	*	2/2005	Amaduzzi	.....	D23/226
D518,873 S	*	4/2006	Carpanese	.....	D23/223
D555,767 S	*	11/2007	Carpanese	.....	D23/226
D571,434 S	*	6/2008	Renner	.....	D23/223
D573,691 S	*	7/2008	Busschaert	.....	D23/226
D582,513 S	*	12/2008	Zingoni	.....	D23/226
D636,846 S		4/2011	Shoemaker		

D729,902 S	*	5/2015	Hollinger	.....	D23/223
D753,265 S	*	4/2016	Burchard	.....	D23/226
D768,263 S	*	10/2016	Laber	.....	D23/226
D850,582 S		6/2019	Weinberg		
D857,312 S	*	8/2019	Chavana, Jr.	.....	D32/17
D879,912 S		3/2020	Alexander et al.		

**OTHER PUBLICATIONS**

<https://www.amazon.com/YAMATIC-Pressure-Replacement-Karcher-Troybilt/dp/B07K65RKWS/ref> (Year: 2018).\*

\* cited by examiner

*Primary Examiner* — Jack Reickel

*Assistant Examiner* — Keith J Wilson

(74) *Attorney, Agent, or Firm* — Runit R. Kanakia

(57) **CLAIM**

I claim the ornamental design for a pressure washer gun, as shown and described.

**DESCRIPTION**

FIG. 1 is a Perspective view of a pressure washer gun showing my new design;

FIG. 2 is a Front view thereof;

FIG. 3 is a Back view thereof;

FIG. 4 is a Right-side view thereof;

FIG. 5 is a Left-side view thereof;

FIG. 6 is a Top view thereof;

FIG. 7 is a Bottom view thereof;

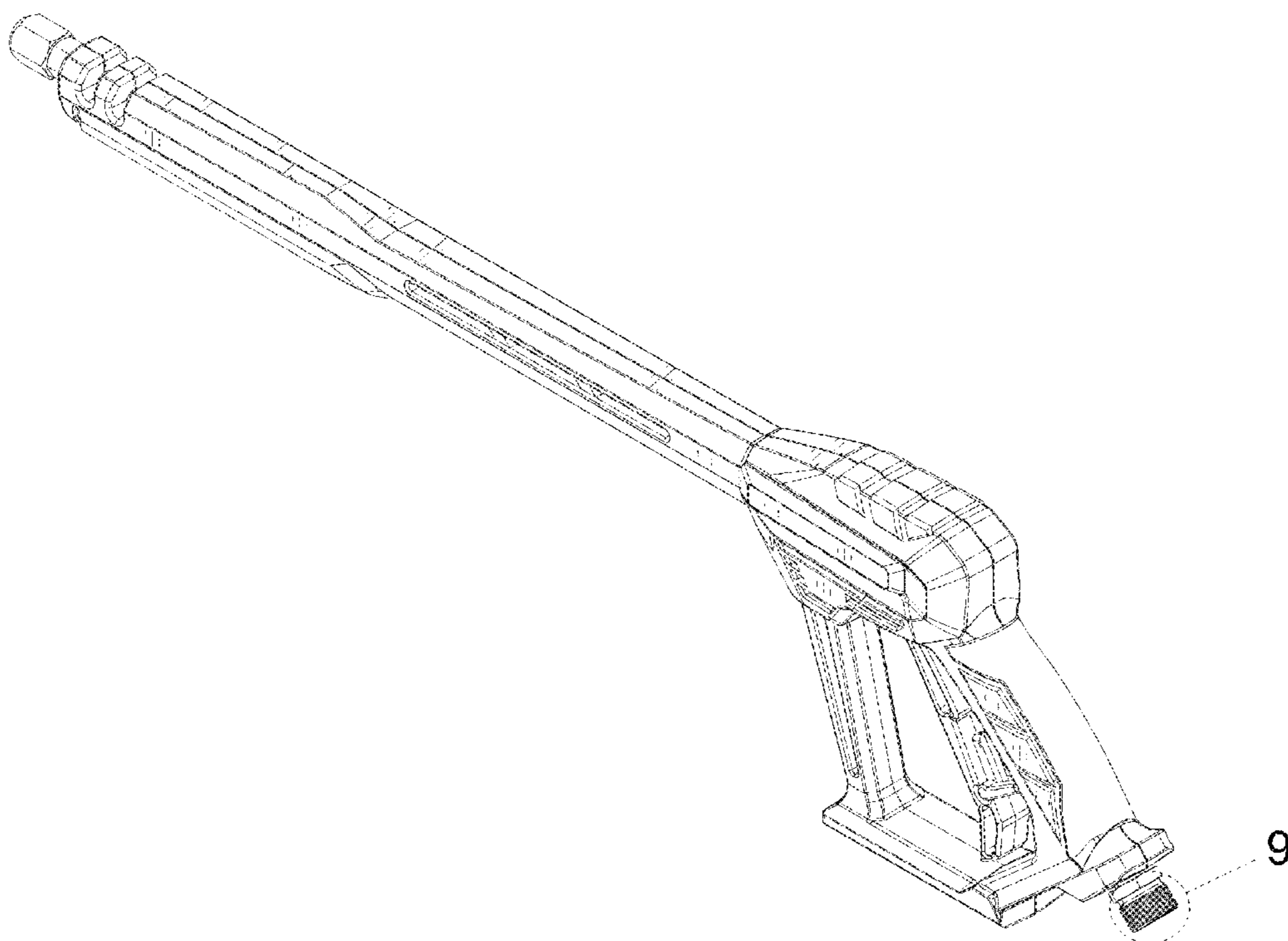
FIG. 8 is other perspective view thereof;

FIG. 9 is the enlarge view of part shown in FIG. 1; and,

FIG. 10 is the enlarge view of the part shown in FIG. 5.

The broken lines are for the purpose of illustrating portions of the article that form no part of the claim.

**1 Claim, 8 Drawing Sheets**



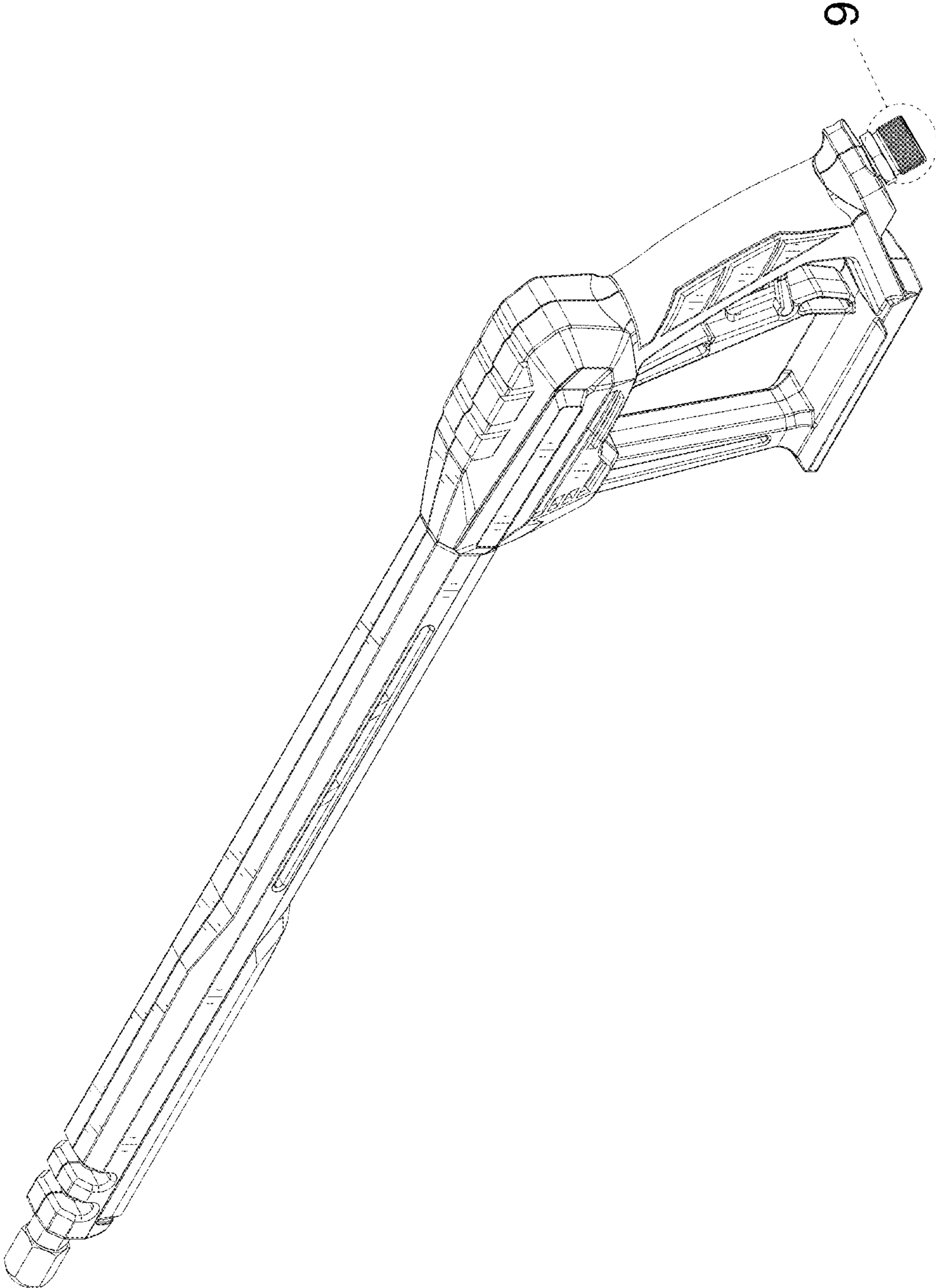


FIG. 1

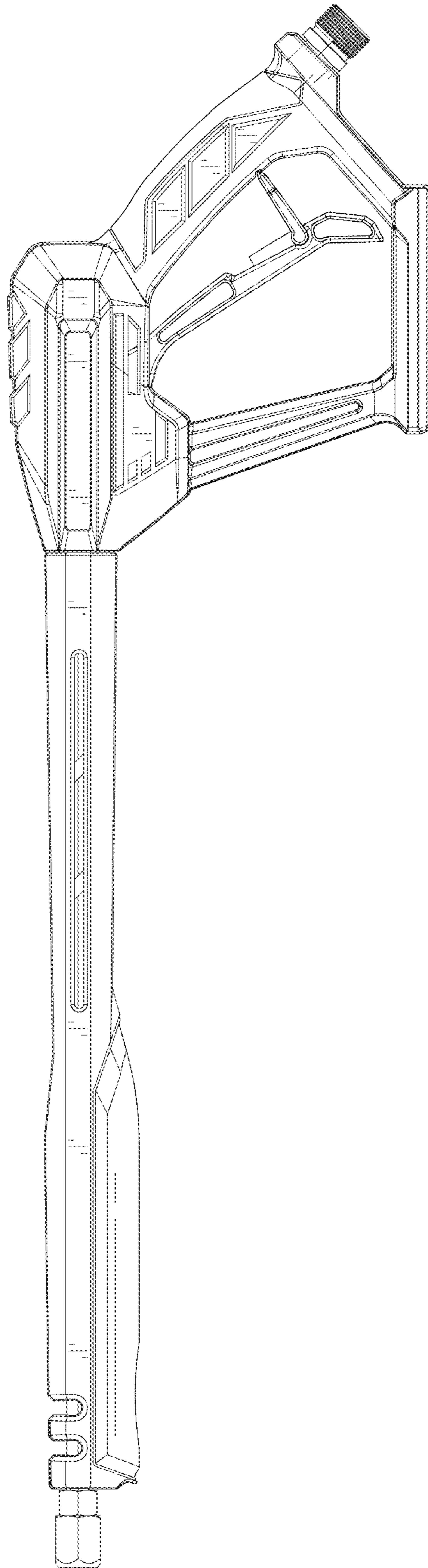


FIG. 2



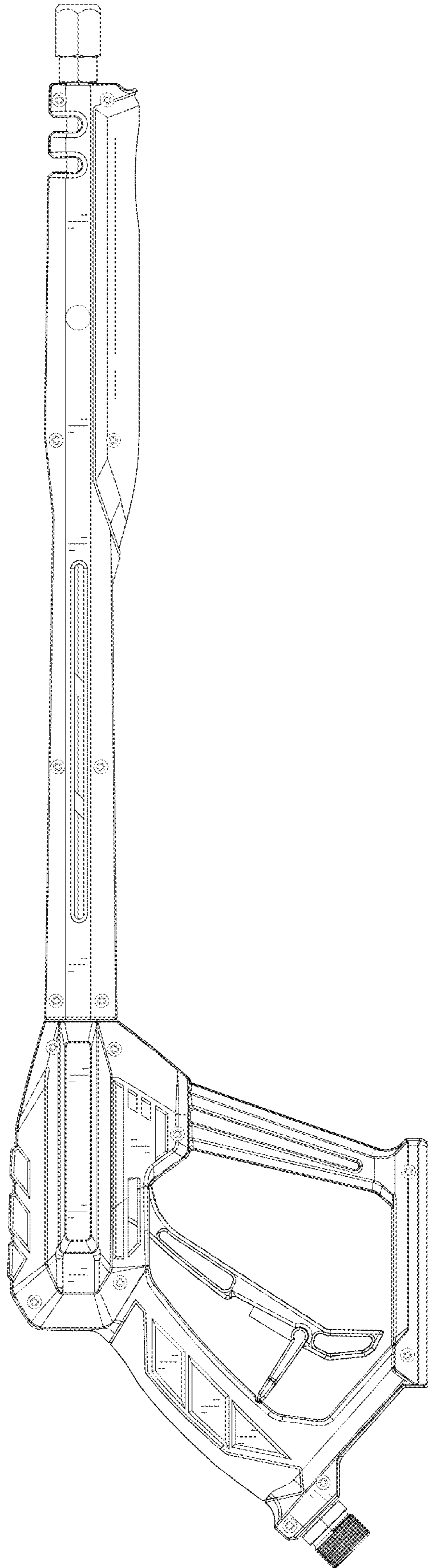


FIG. 3

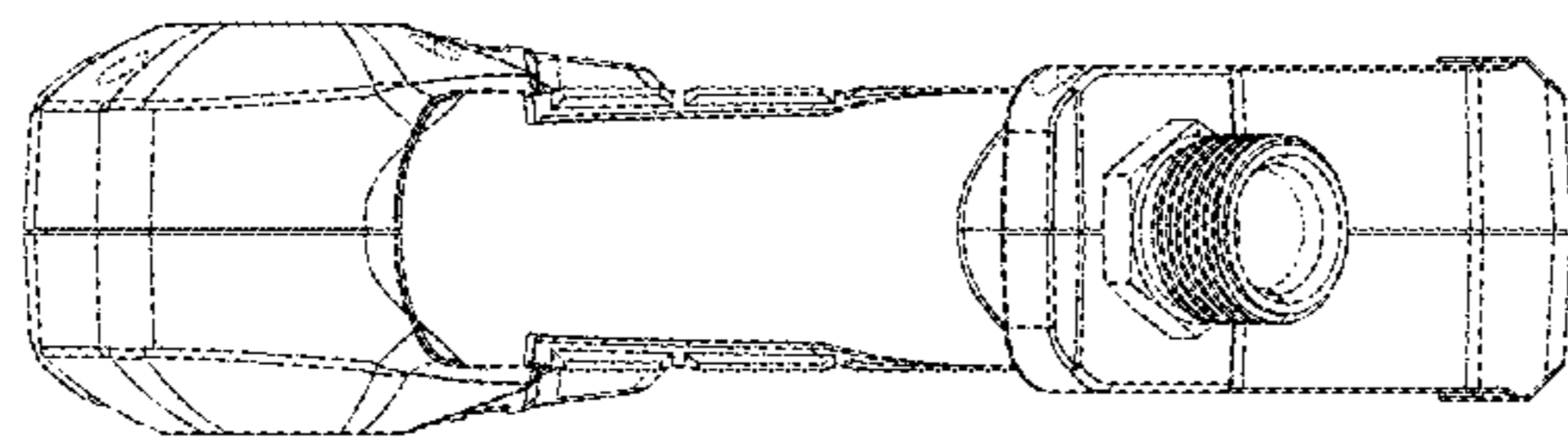


FIG. 4

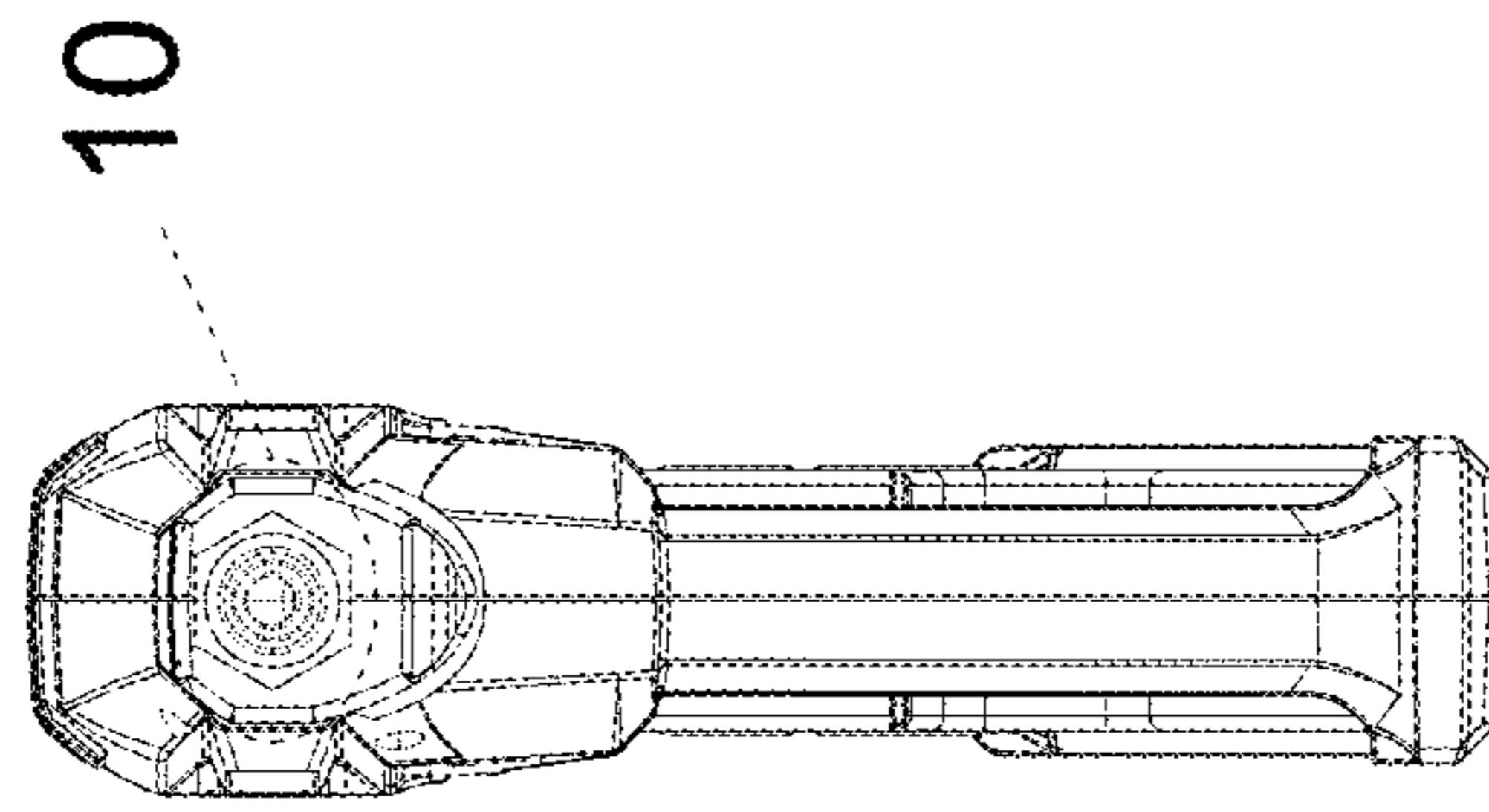


FIG. 5

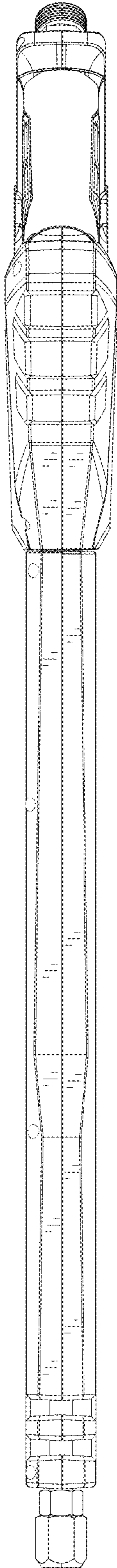


FIG. 6

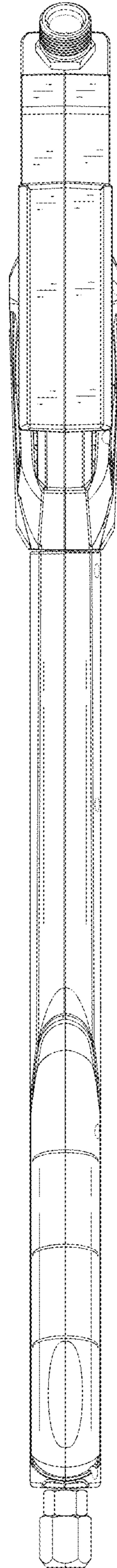


FIG. 7

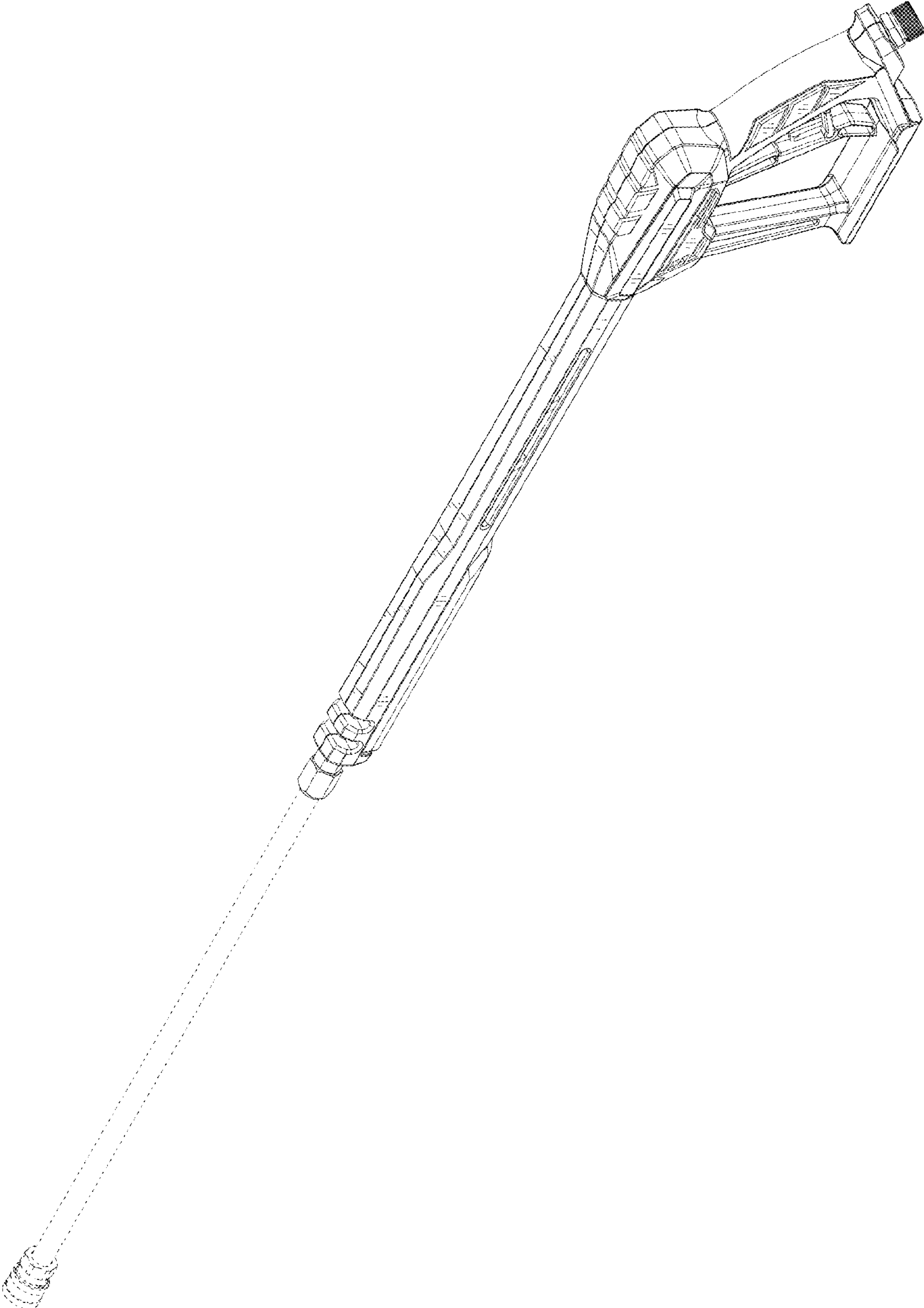


FIG. 8



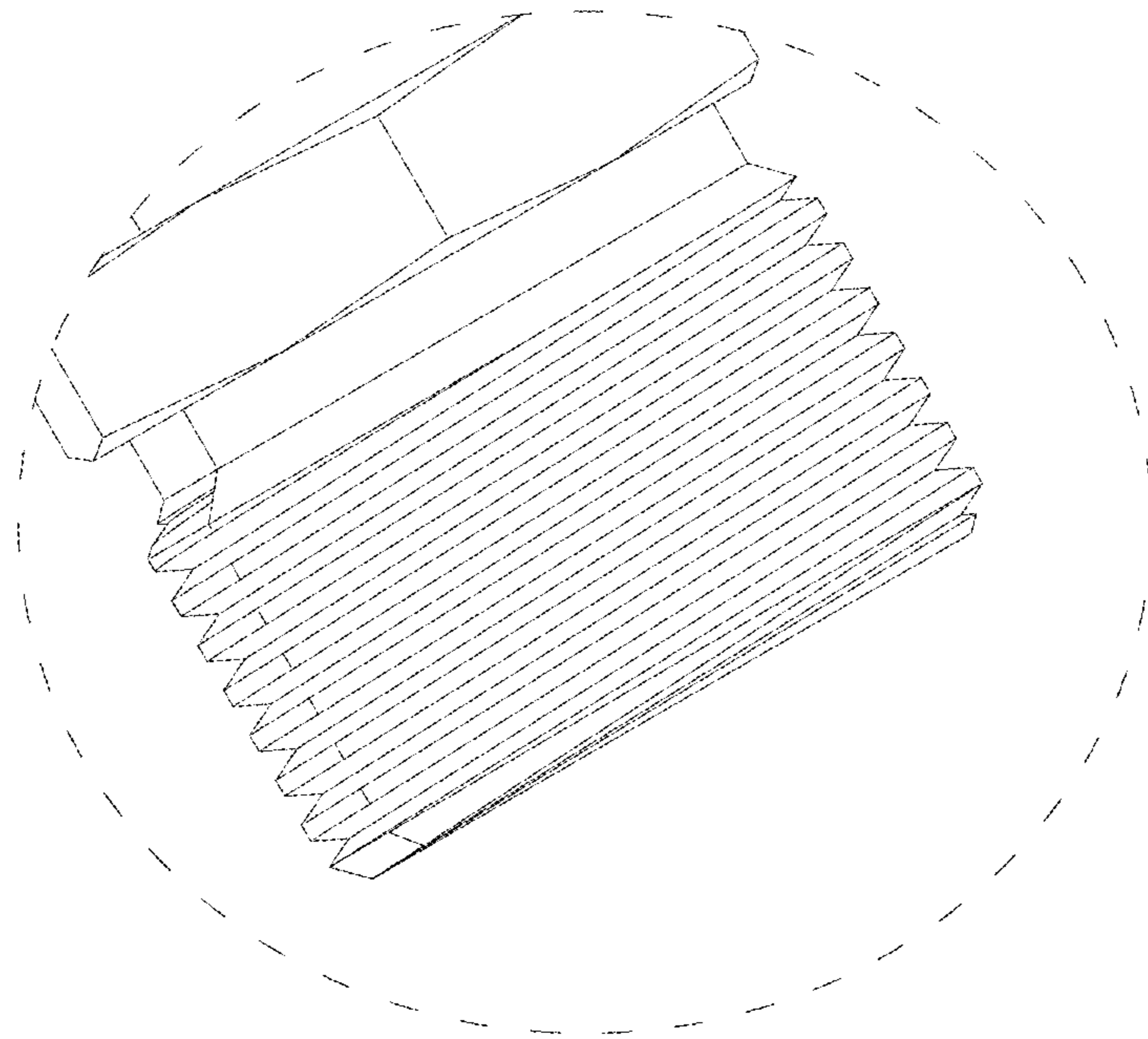


FIG. 9

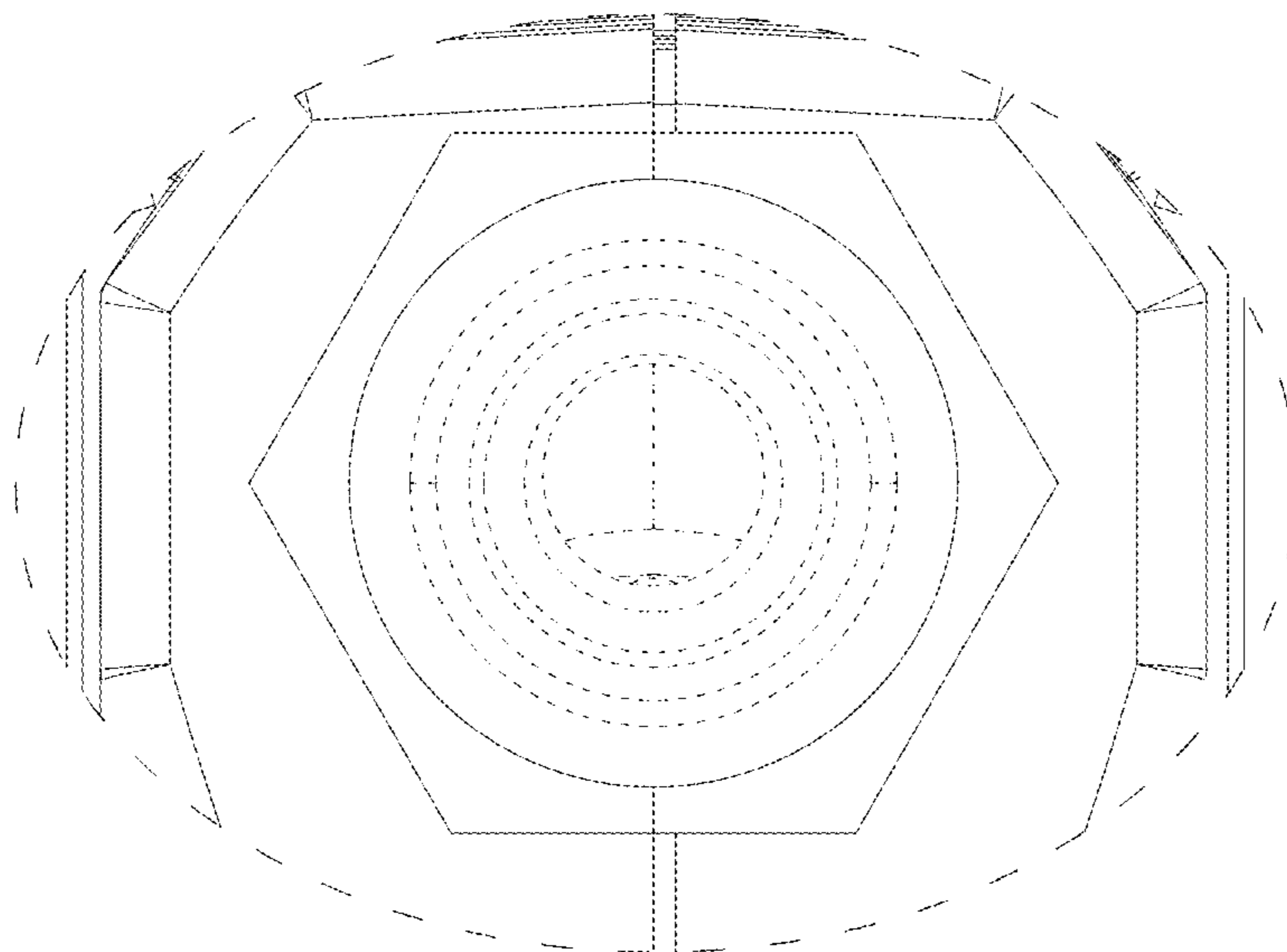


FIG. 10