



US00D910811S

(12) **United States Design Patent** (10) **Patent No.:** **US D910,811 S**
Bell et al. (45) **Date of Patent:** **** Feb. 16, 2021**

(54) **PORTABLE SPRAY HEAD**
(71) Applicant: **THE CLOROX COMPANY**, Oakland, CA (US)
(72) Inventors: **Russell E. Bell**, Pleasanton, CA (US); **Scot Herbst**, Santa Cruz, CA (US)
(73) Assignee: **THE CLOROX COMPANY**, Oakland, CA (US)

9,901,954 B2 2/2018 Whiting et al.
D818,701 S 5/2018 Wright
10,322,424 B2 6/2019 Wright
10,589,298 B2 3/2020 Wright
10,654,068 B2 5/2020 Whiting et al.
2005/0139239 A1 6/2005 Prae
2006/0179491 A1 8/2006 Graham et al.
2008/0296398 A1* 12/2008 Hickman B01F 5/0428
239/8
2017/0173607 A1 6/2017 Wright
(Continued)

(**) Term: **15 Years**

OTHER PUBLICATIONS

(21) Appl. No.: **29/713,777**
(22) Filed: **Nov. 19, 2019**
(51) **LOC (13) Cl.** **23-01**
(52) **U.S. Cl.**
USPC **D23/213**
(58) **Field of Classification Search**
USPC D23/213, 214, 215, 223, 224, 226, 229, D23/230; D28/7
CPC A61H 9/0021; A61H 33/00; B05B 1/00; B05B 1/14; B05B 1/185; B05B 1/08; B05B 1/02; B05B 1/26; B05B 12/002; B05B 1/18; B05B 9/01
See application file for complete search history.

360 Sterile Electrostatic Disinfection Spray Systems 360sterile.com.
(Continued)

Primary Examiner — Cathron C Brooks
Assistant Examiner — Keith J Wilson
(74) *Attorney, Agent, or Firm* — Erin Collins

(56) **References Cited**

U.S. PATENT DOCUMENTS

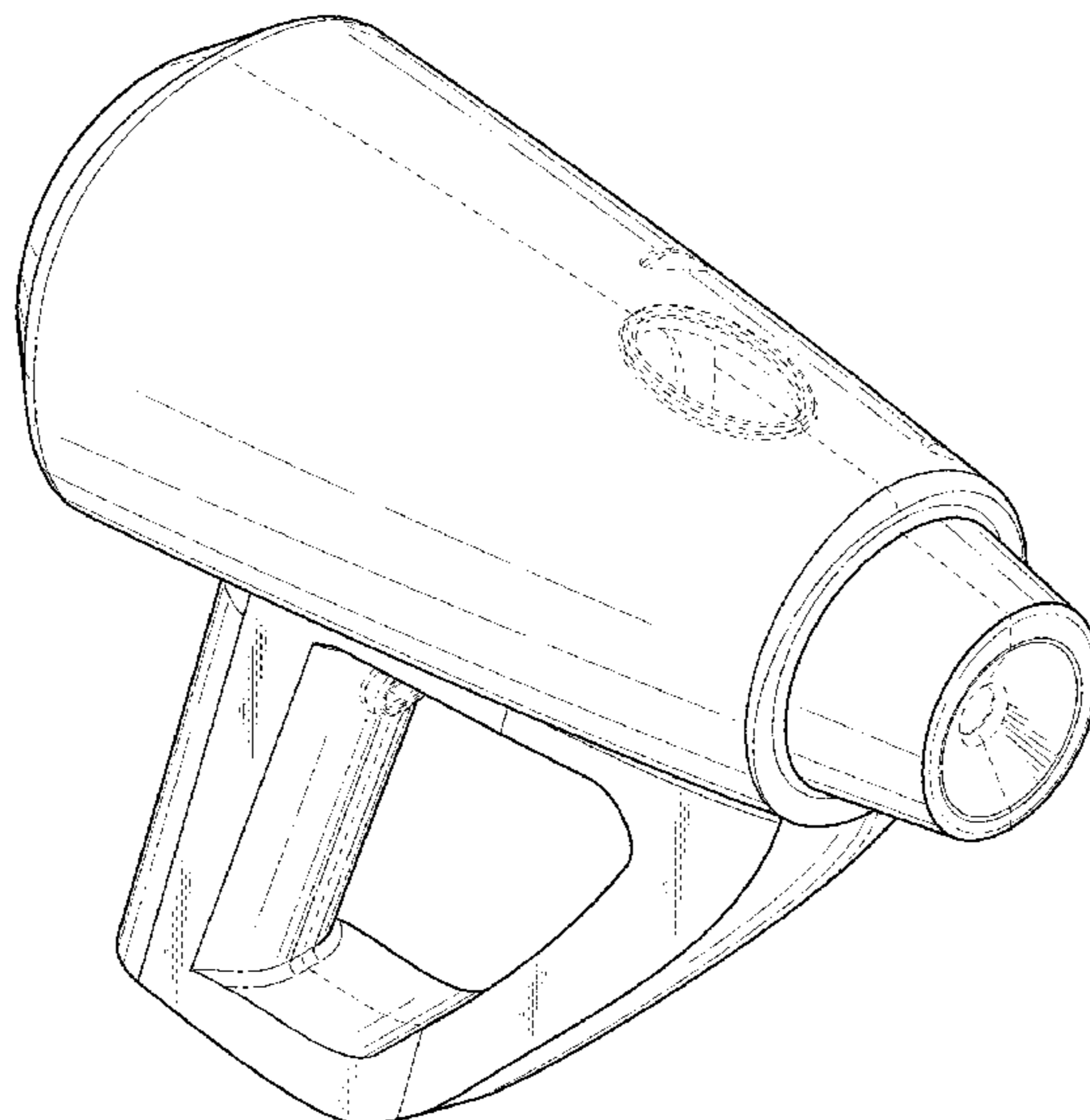
D511,861 S * 11/2005 Fernandez D23/223
D516,672 S * 3/2006 Khubani D23/213
D523,521 S * 6/2006 Wooton D23/213
D524,906 S * 7/2006 Birrenkott D23/223
7,156,324 B2 * 1/2007 Birrenkott B05B 7/2443
239/345
8,181,710 B2 5/2012 Tsuji et al.
8,746,597 B2 6/2014 Sides
8,950,696 B2 2/2015 Massey
8,985,051 B2 3/2015 Crawford
D770,015 S 10/2016 Wright
D770,594 S * 11/2016 Dammkoehler D23/226

(57) **CLAIM**
The ornamental design for a portable spray head, as shown and described.

DESCRIPTION

FIG. 1 is a top perspective view of a portable spray head according to the invention.
FIG. 2 is a bottom perspective view of the portable spray head of FIG. 1.
FIG. 3 is a first side view thereof of the portable spray head of FIG. 1.
FIG. 4 is an opposite, second side view thereof.
FIG. 5 is a front view thereof.
FIG. 6 is a rear view thereof.
FIG. 7 is a top view thereof; and,
FIG. 8 is a bottom view thereof.
The broken lines depict portions of the portable spray head that form no part of the claimed design.

1 Claim, 6 Drawing Sheets



(56)

References Cited

U.S. PATENT DOCUMENTS

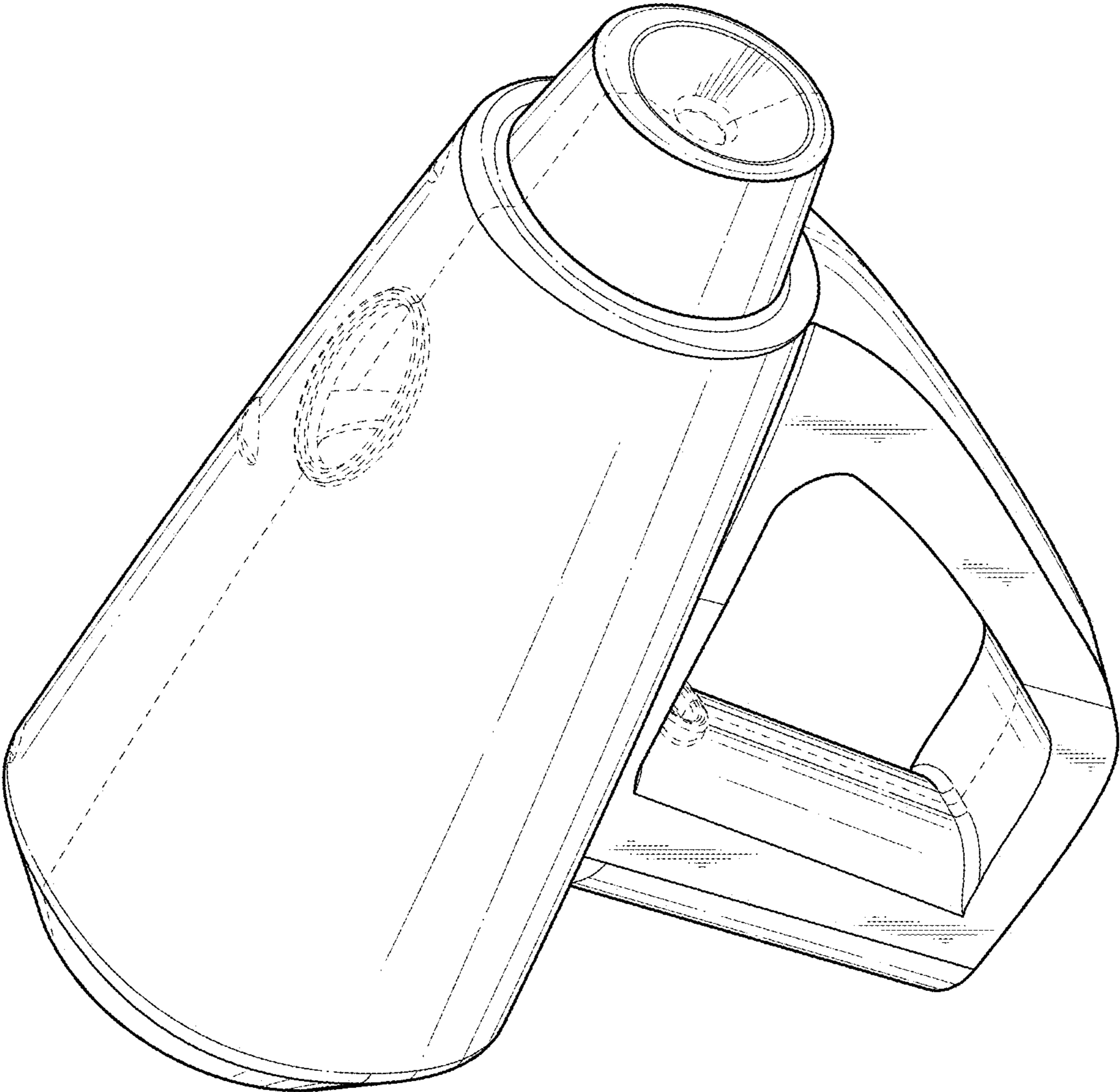
2018/0133750 A1 5/2018 Whiting et al.
2019/0060922 A1 2/2019 Wright
2019/0060924 A1 2/2019 Whiting et al.
2019/0060938 A1 2/2019 Whiting et al.
2019/0201927 A1 7/2019 Sides
2020/0121867 A1 4/2020 Wright

OTHER PUBLICATIONS

JonDon ESS XT-3 MaxCharge Electrostatic Sprayer Product Information, This Self-Contained Electrostatic Sprayer Requires No External Air Supply and Runs for 1.5 Hours www.jondon.com
Emist EPIX360 The Most Effective Handheld, Cordless Electrostatic Disinfectant Sprayer In the World www.emist.com.
Victory Innovations Co. Professional Cordless Electrostatic Backpack Sprayer, Professional Cordless Electrostatic Handheld Sprayer www.victorycomplete.com.
EvaClean—EvaClean combines single chemistry solutions with advanced products for one innovative system that dramatically improves your ability to sanitize and disinfect effectively Cordless Electrostatic Sprayer, Cordless Electrostatic Backpack Sprayer. www.evaclean.com.

* cited by examiner

FIG. 1



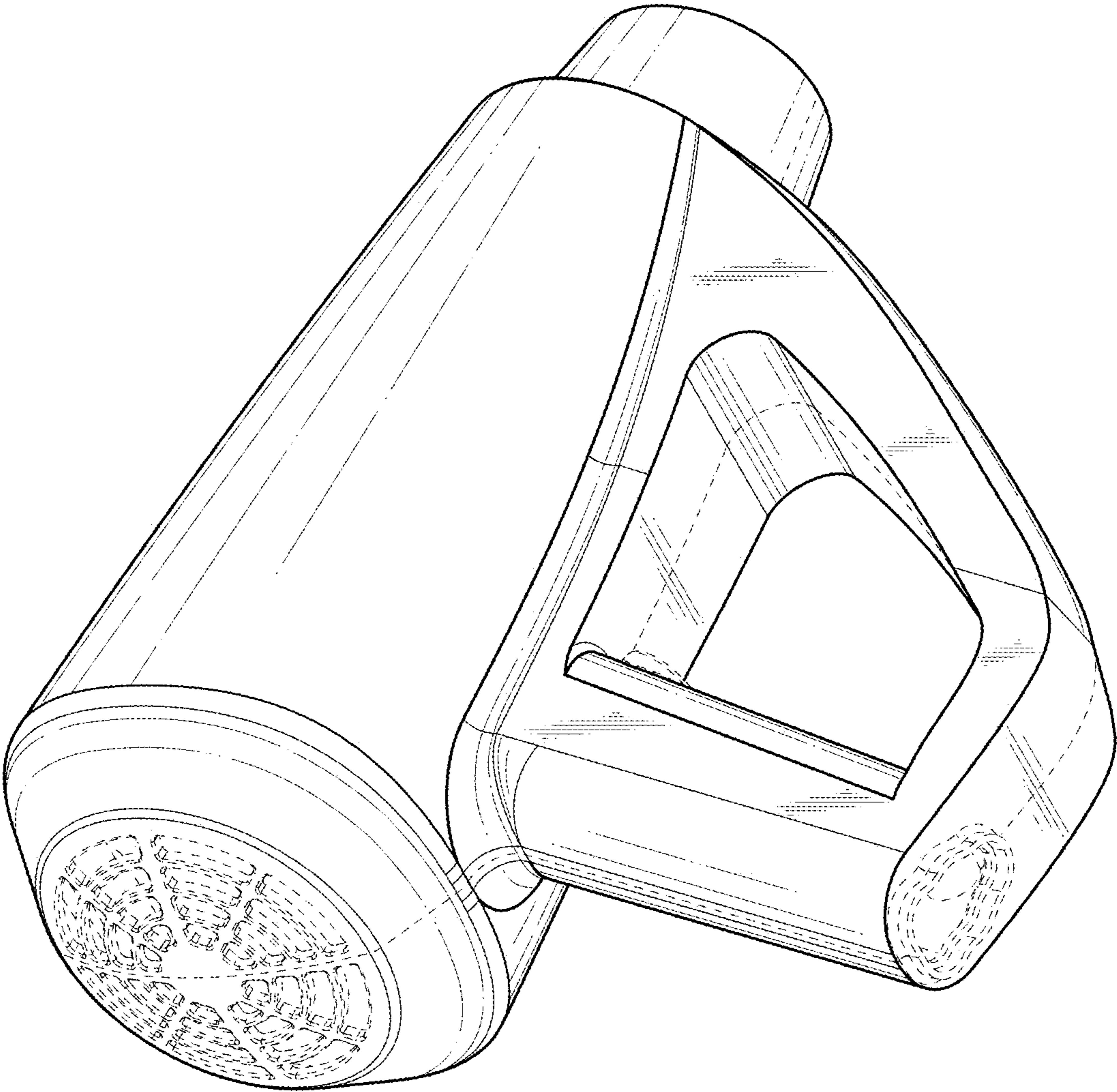


FIG. 2

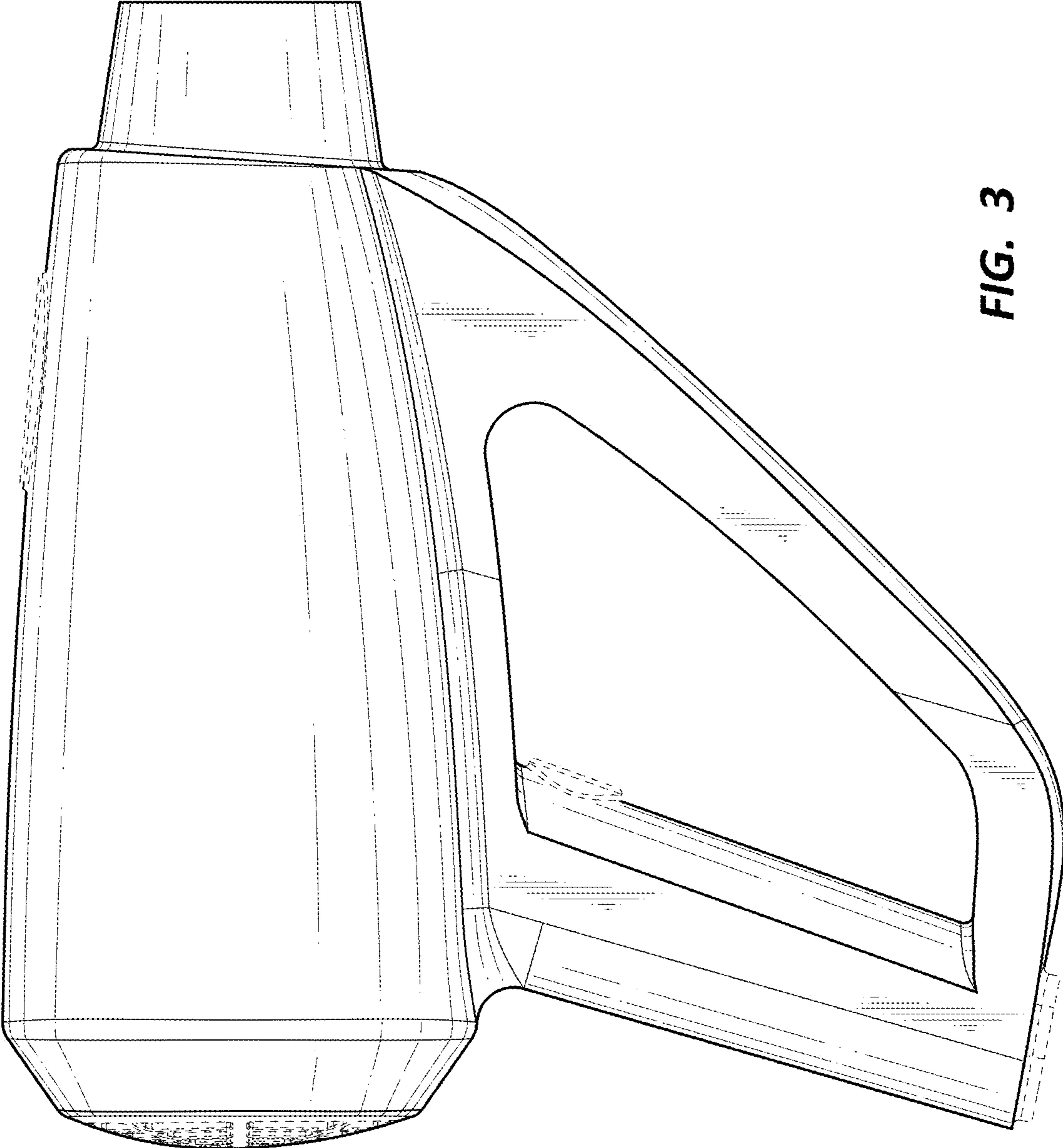


FIG. 3

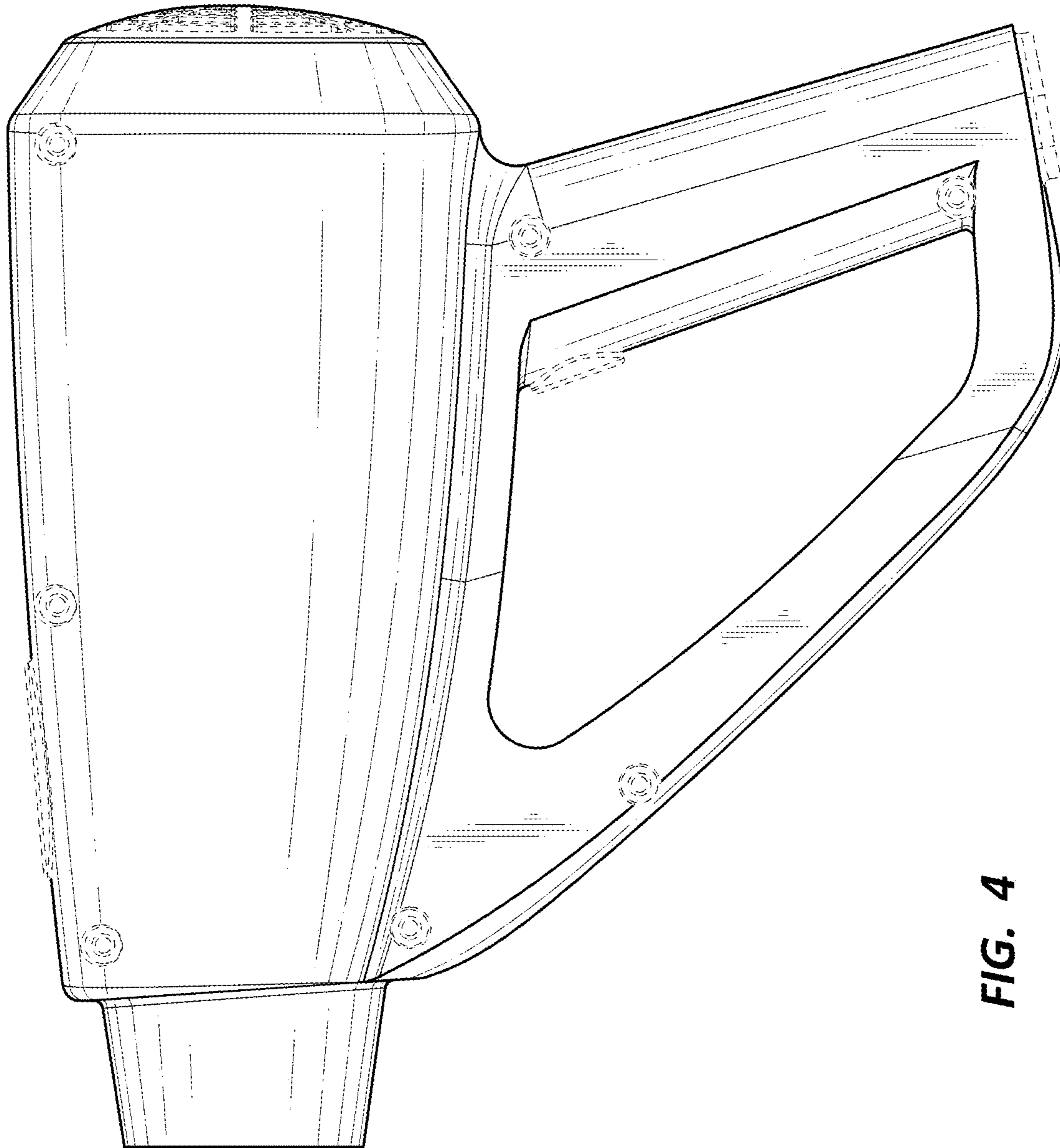


FIG. 4

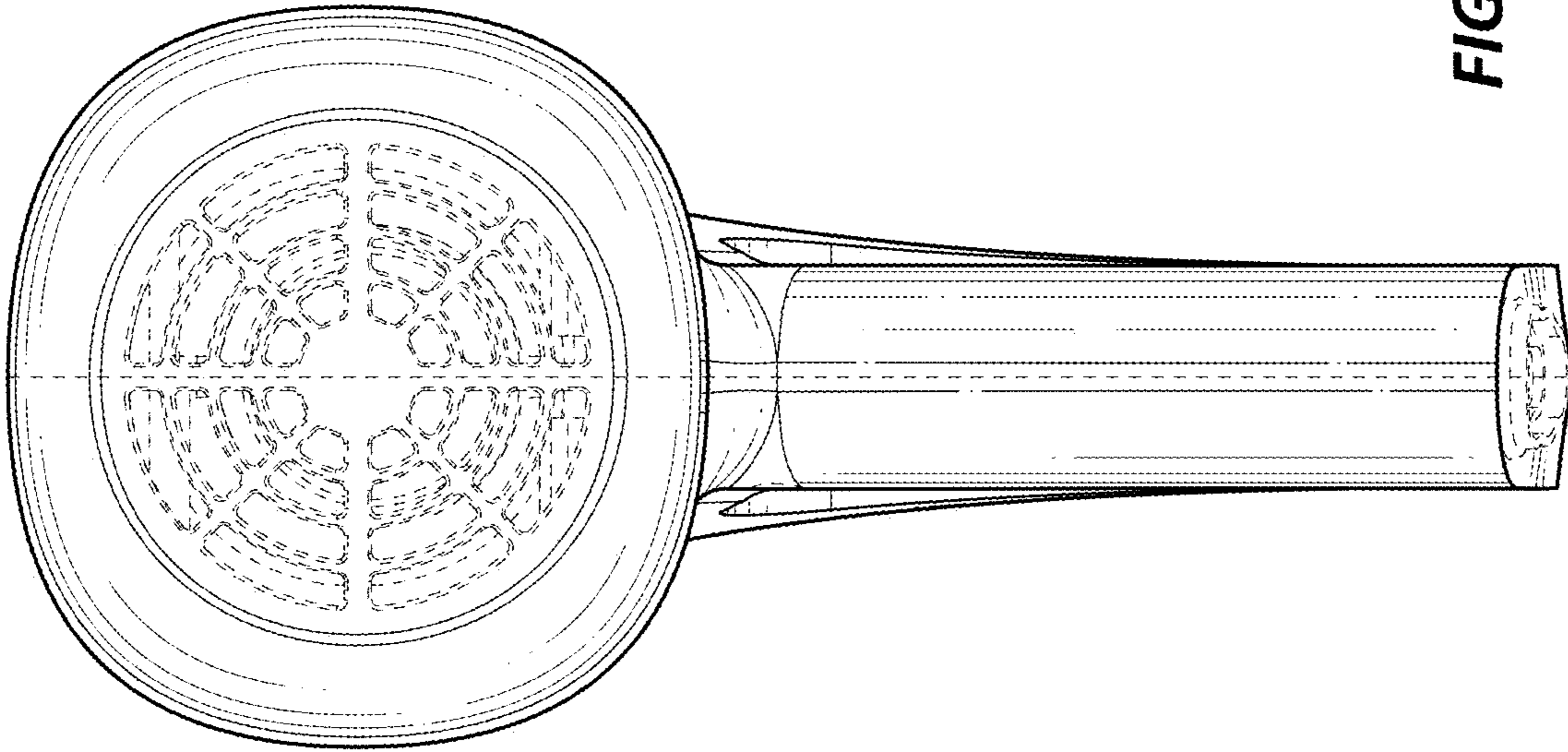


FIG. 6

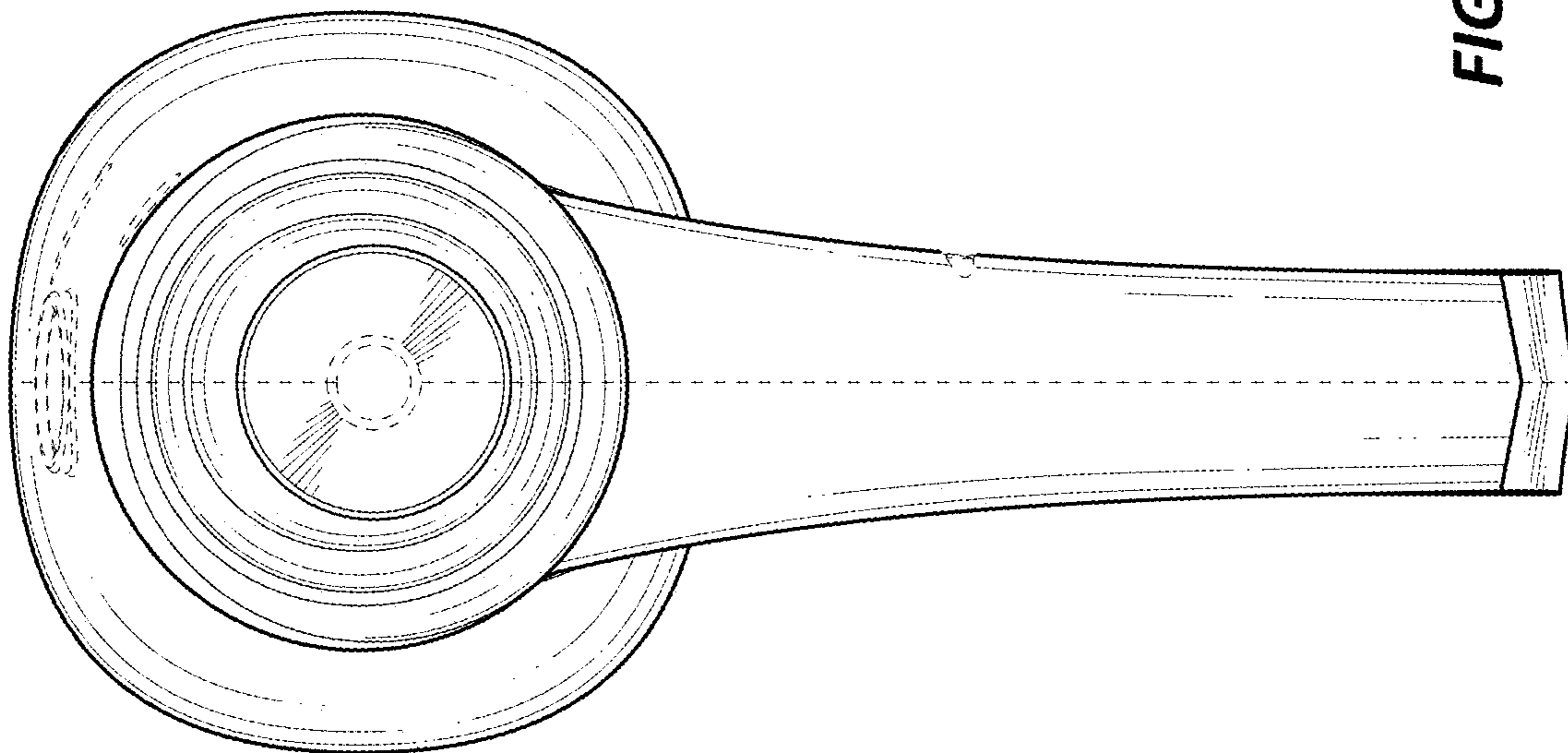


FIG. 5

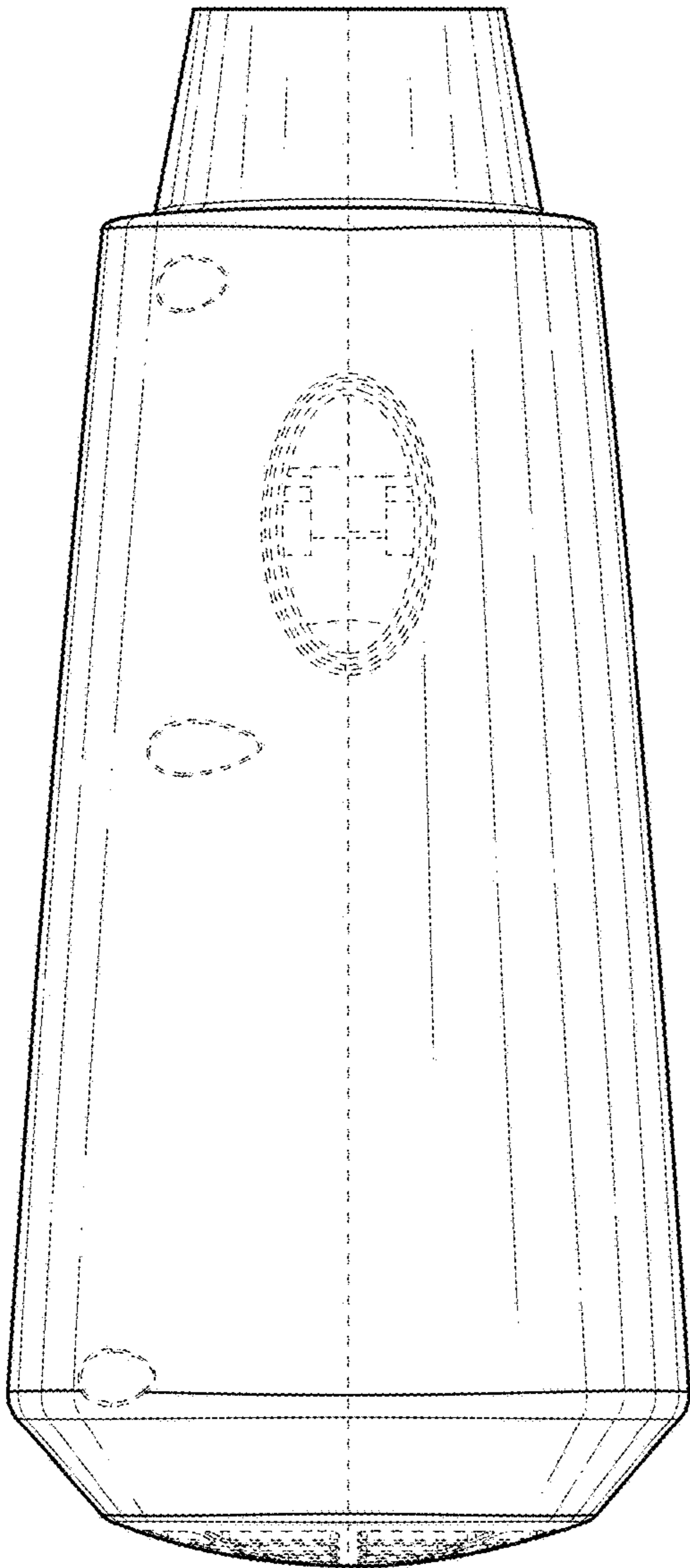


FIG. 7

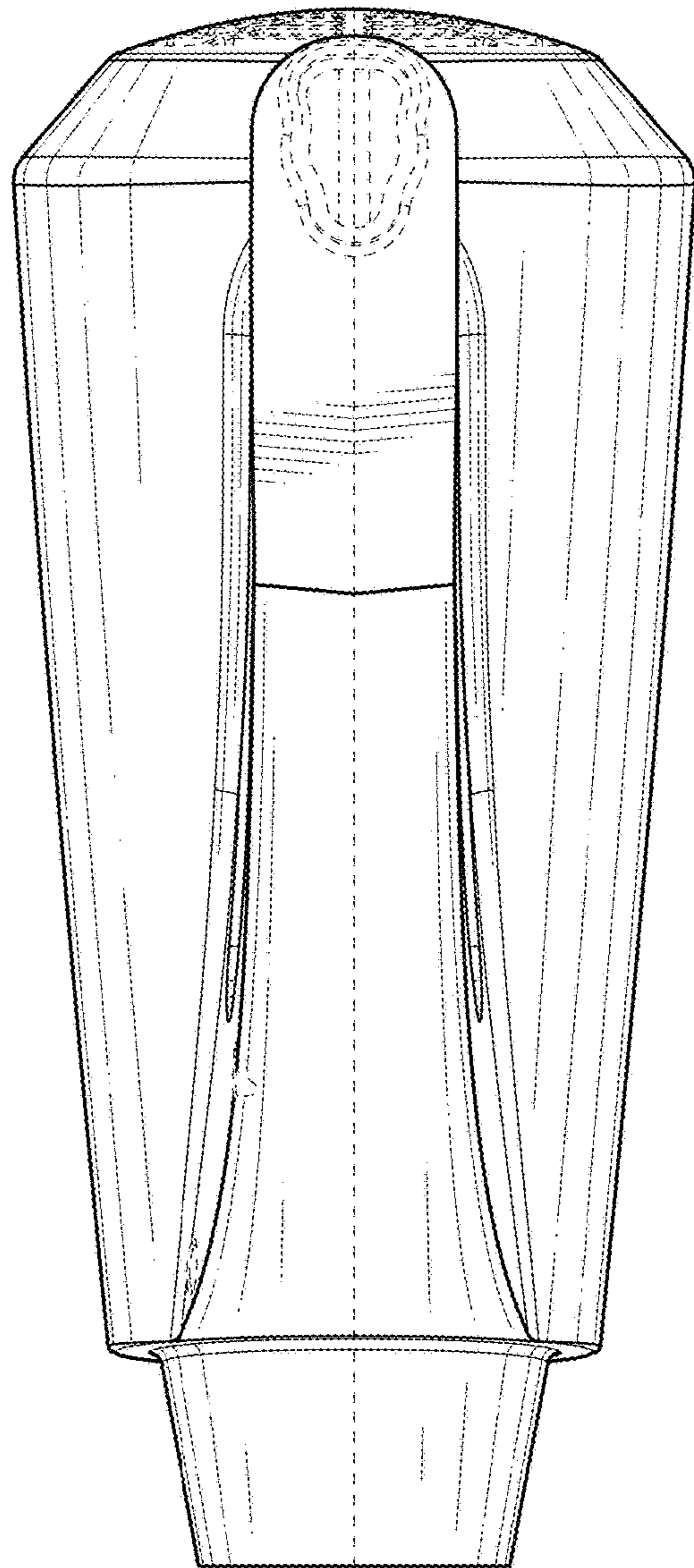


FIG. 8