



US00D910810S

(12) **United States Design Patent** (10) **Patent No.:** **US D910,810 S**  
**Stanca et al.** (45) **Date of Patent:** **\*\* Feb. 16, 2021**

(54) **HAND PUMP** 5,356,049 A \* 10/1994 Harris ..... B05B 11/0005  
222/382

(71) Applicant: **Henkel IP & Holding GmbH**, Duesseldorf (DE) D419,877 S \* 2/2000 Sayers ..... D9/448  
6,364,174 B1 \* 4/2002 Lohrman ..... B05B 11/3009  
222/321.8

(72) Inventors: **Nicholas E. Stanca**, Westlake, OH D459,440 S \* 6/2002 Chen ..... D23/226  
(US); **Ben Parker**, Chardon, OH (US); D468,801 S \* 1/2003 Hubmann ..... D23/225  
**Jess P. Carlson**, Chagrin Falls, OH D536,971 S \* 2/2007 Arminak ..... D9/448  
(US); **Robert C. Allen**, Richmond D539,143 S \* 3/2007 Arminak ..... D9/448  
Heights, OH (US); **Paul D. Stephens**, D547,655 S \* 7/2007 van der Heijden ..... D9/434  
Twinsburg, OH (US); **David M. Pehar**, D551,003 S \* 9/2007 Leonard ..... D6/543  
Willoughby, OH (US) D568,154 S \* 5/2008 Arminak ..... D9/448  
D574,707 S \* 8/2008 Pietrowski ..... D9/448  
D642,916 S \* 8/2011 Handy ..... D9/448  
D652,299 S \* 1/2012 Taylor ..... D9/448  
D668,152 S \* 10/2012 Sasaki ..... D9/448  
D681,475 S \* 5/2013 Park ..... D9/682

(73) Assignee: **Henkel IP & Holding GmbH**, Duesseldorf (DE) (Continued)

(\*\*) Term: **15 Years**

(21) Appl. No.: **29/668,402**

(22) Filed: **Oct. 30, 2018**

(51) **LOC (13) Cl.** ..... **23-01**

(52) **U.S. Cl.**  
USPC ..... **D23/213**

(58) **Field of Classification Search**  
USPC ..... D23/208, 213, 223–225, 233, 235–237,  
D23/241–249, 252, 255, 262; D7/322,  
D7/398, 669; D9/434–436, 439, 440,  
D9/443, 447–450, 454, 499, 682,  
D9/685–691

CPC ..... F04B 9/14; F04B 23/02; F04B 23/023;  
B05B 11/3059; B05B 11/3001  
See application file for complete search history.

(56) **References Cited**

U.S. PATENT DOCUMENTS

D244,995 S \* 7/1977 Sullivan ..... D9/448  
4,819,832 A \* 4/1989 Lawson ..... B05B 11/0005  
222/153.13

D333,787 S \* 3/1993 Hirst ..... D9/435  
D336,845 S \* 6/1993 Carroll ..... D9/440

OTHER PUBLICATIONS

<https://www.amazon.com/dp/B07WINZFGL/> (Year: 2019).\*

*Primary Examiner* — Manpreet S Matharu

*Assistant Examiner* — Keith J Wilson

(74) *Attorney, Agent, or Firm* — Steven C. Bauman

(57) **CLAIM**

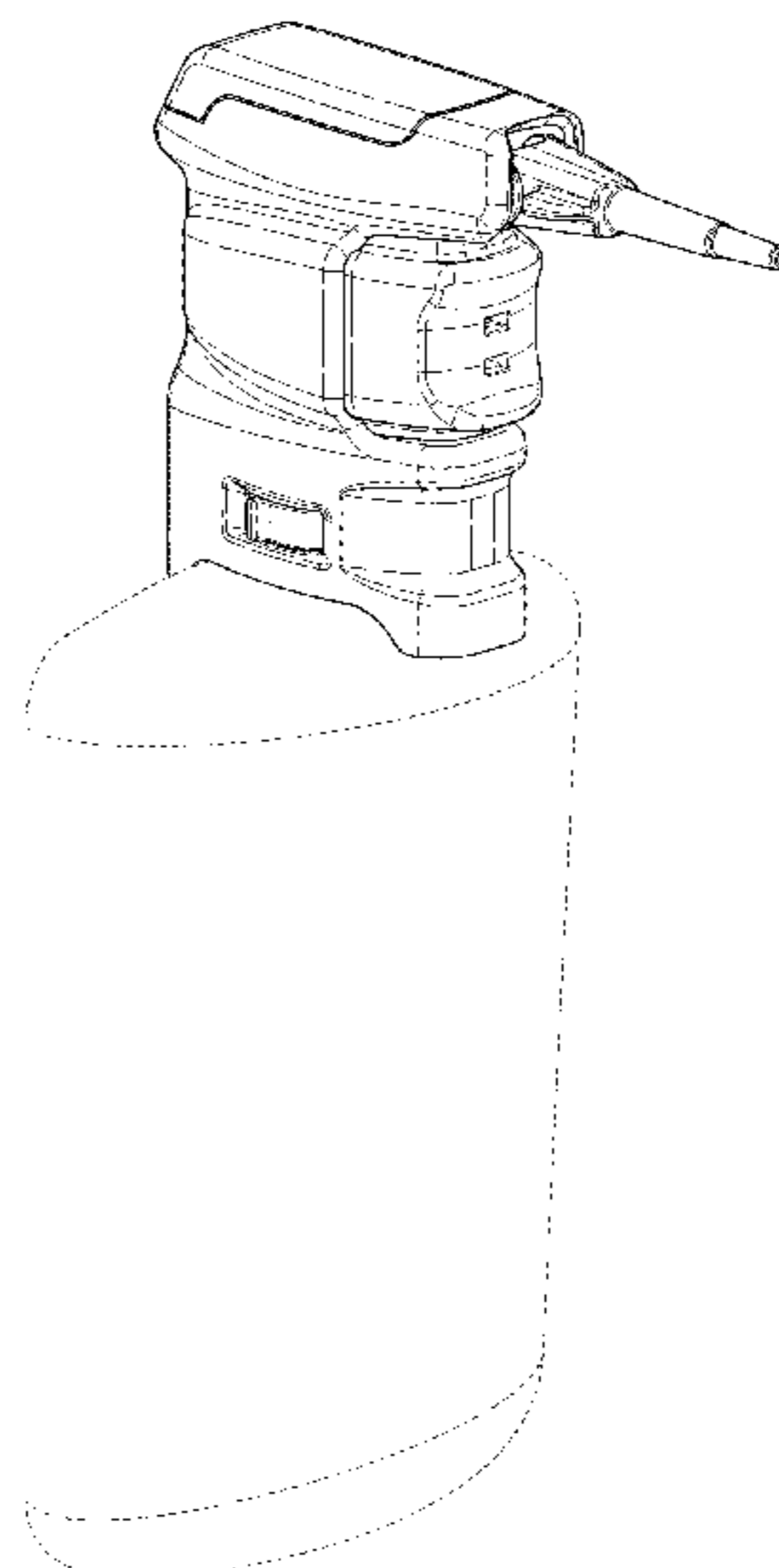
The ornamental design for a hand pump, as shown and described.

**DESCRIPTION**

FIG. 1 is a front, top, left side perspective view of a hand pump, comprising a new, original and ornamental design;  
FIG. 2 is a left side view thereof;  
FIG. 3 is a right side view thereof;  
FIG. 4 is a rear view thereof;  
FIG. 5 is a front view thereof;  
FIG. 6 is a top view thereof; and,  
FIG. 7 is a bottom view thereof.

The broken lines shown represent portions of a bottle and the hand pump and form no part of the claimed design.

**1 Claim, 5 Drawing Sheets**



(56)

References Cited

U.S. PATENT DOCUMENTS

D683,237	S *	5/2013	Crawford .....	D9/682
D694,121	S *	11/2013	Park .....	D9/682
D701,766	S *	4/2014	Harrower .....	D9/448
D730,733	S *	6/2015	O'Donahue .....	D9/448
D742,999	S *	11/2015	Moya .....	D23/225
D748,491	S *	2/2016	Jin .....	D9/682
D770,798	S *	11/2016	Yang .....	D6/542
D794,450	S *	8/2017	Moreaux .....	D9/434
D795,702	S *	8/2017	Teller .....	D9/691
D800,555	S *	10/2017	Baron .....	D9/448
D809,097	S *	1/2018	Bates .....	D23/225
D809,098	S *	1/2018	Klager .....	D23/225
D813,034	S *	3/2018	Teller .....	D9/448
D826,595	S *	8/2018	Fries .....	D6/542
D831,485	S *	10/2018	Baron .....	D9/448
D833,884	S *	11/2018	Rhodes .....	D9/682
D834,144	S *	11/2018	Mangold .....	D23/226
D836,435	S *	12/2018	Praster .....	D9/448
D842,121	S *	3/2019	Lee .....	D9/694
D847,657	S *	5/2019	Oates .....	D9/682
D852,627	S *	7/2019	Arminak .....	D9/449
2008/0011782	A1 *	1/2008	Sidman .....	A47K 5/12 222/192
2010/0006606	A1 *	1/2010	Lee .....	B05B 11/0094 222/383.1
2013/0292422	A1 *	11/2013	Laible .....	B05B 11/3001 222/321.7

\* cited by examiner

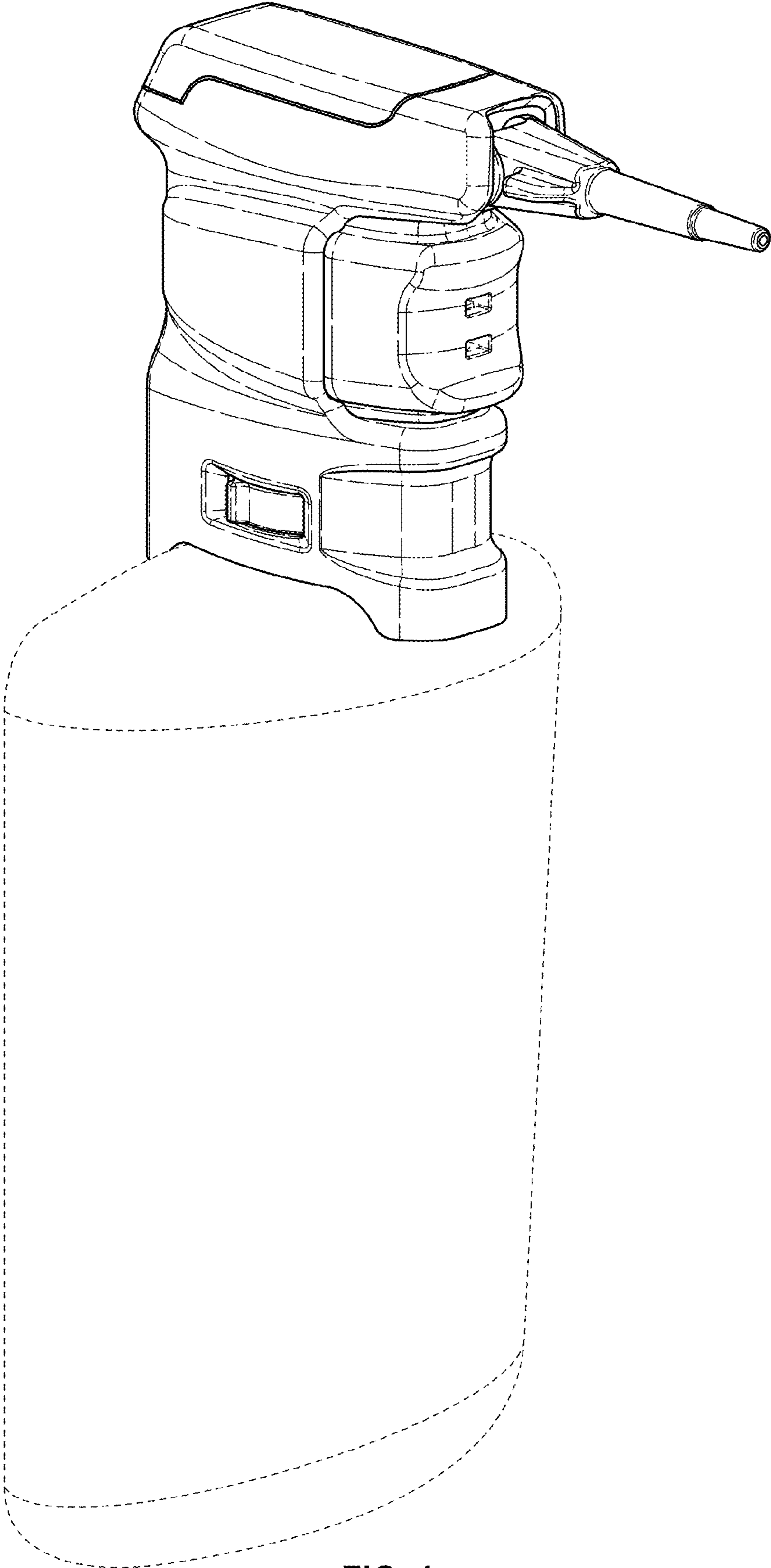


FIG. 1

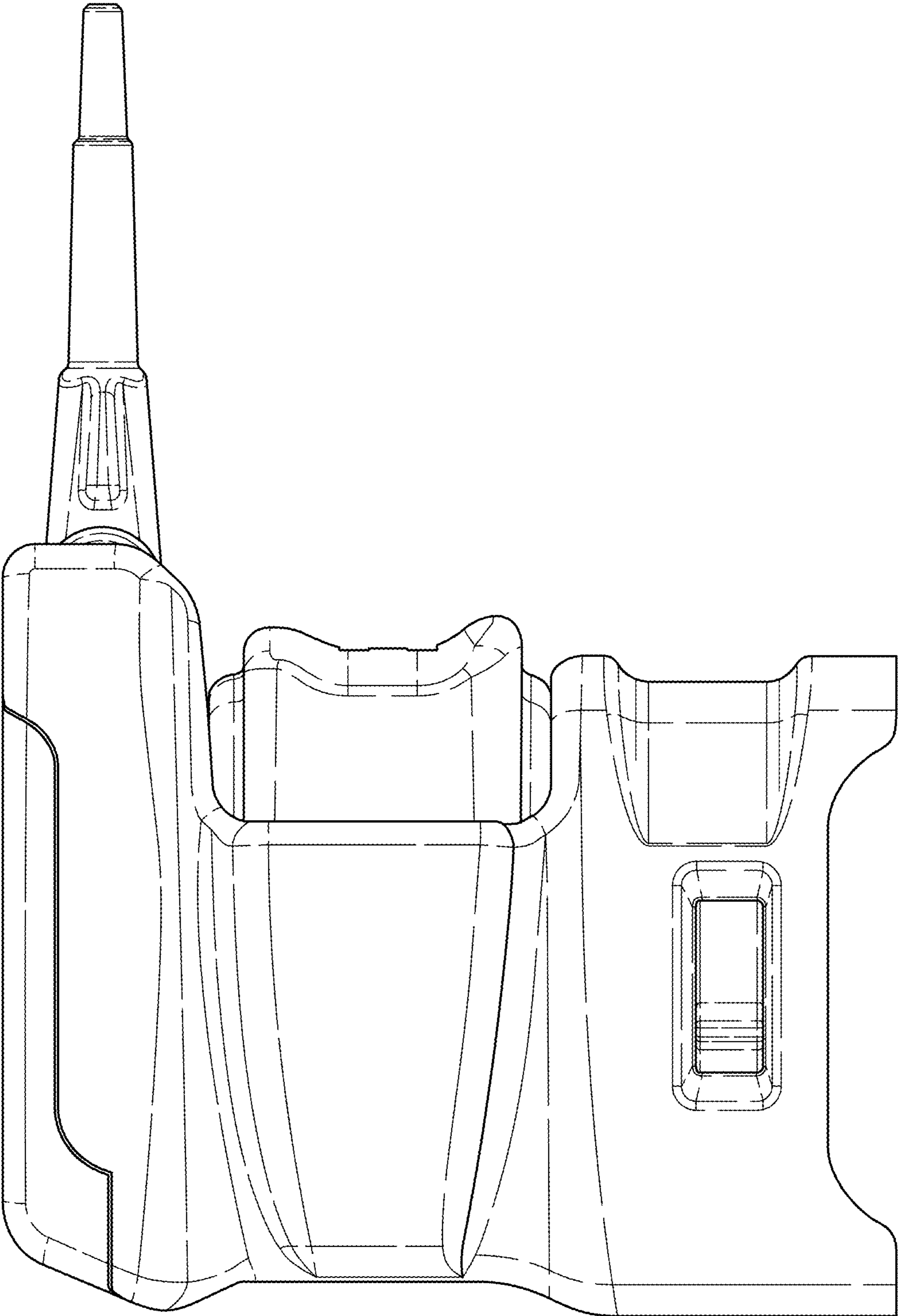


FIG. 2

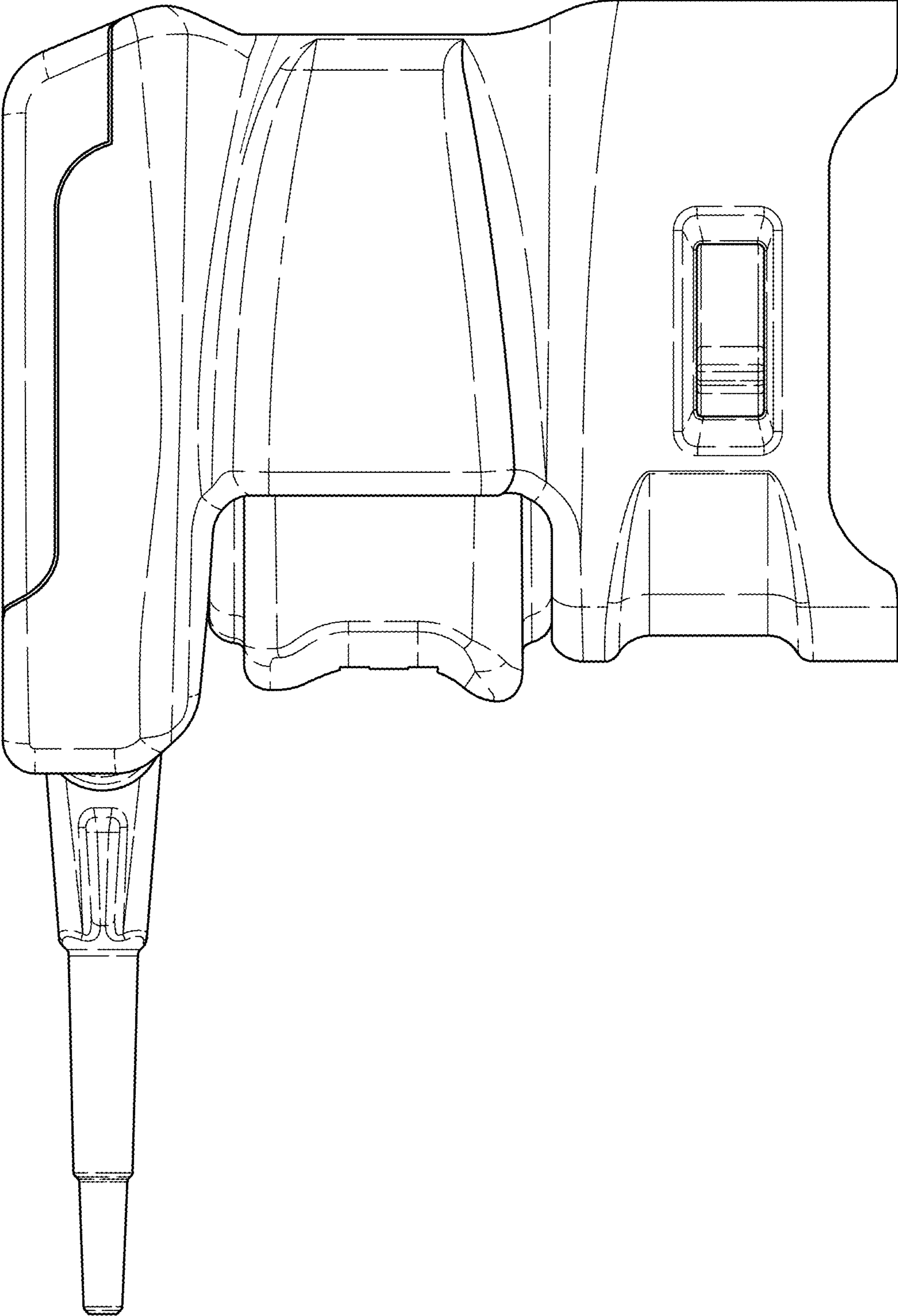


FIG. 3

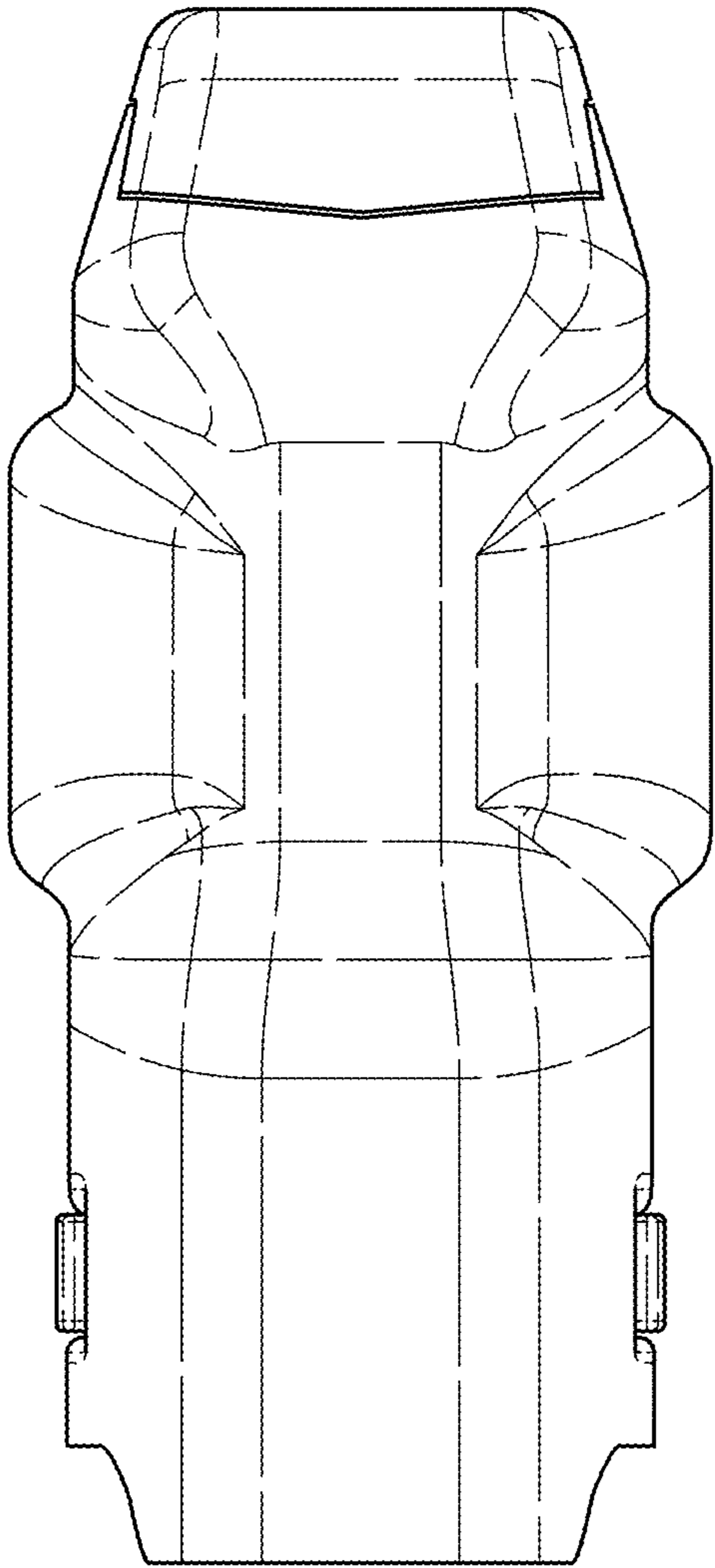


FIG. 4

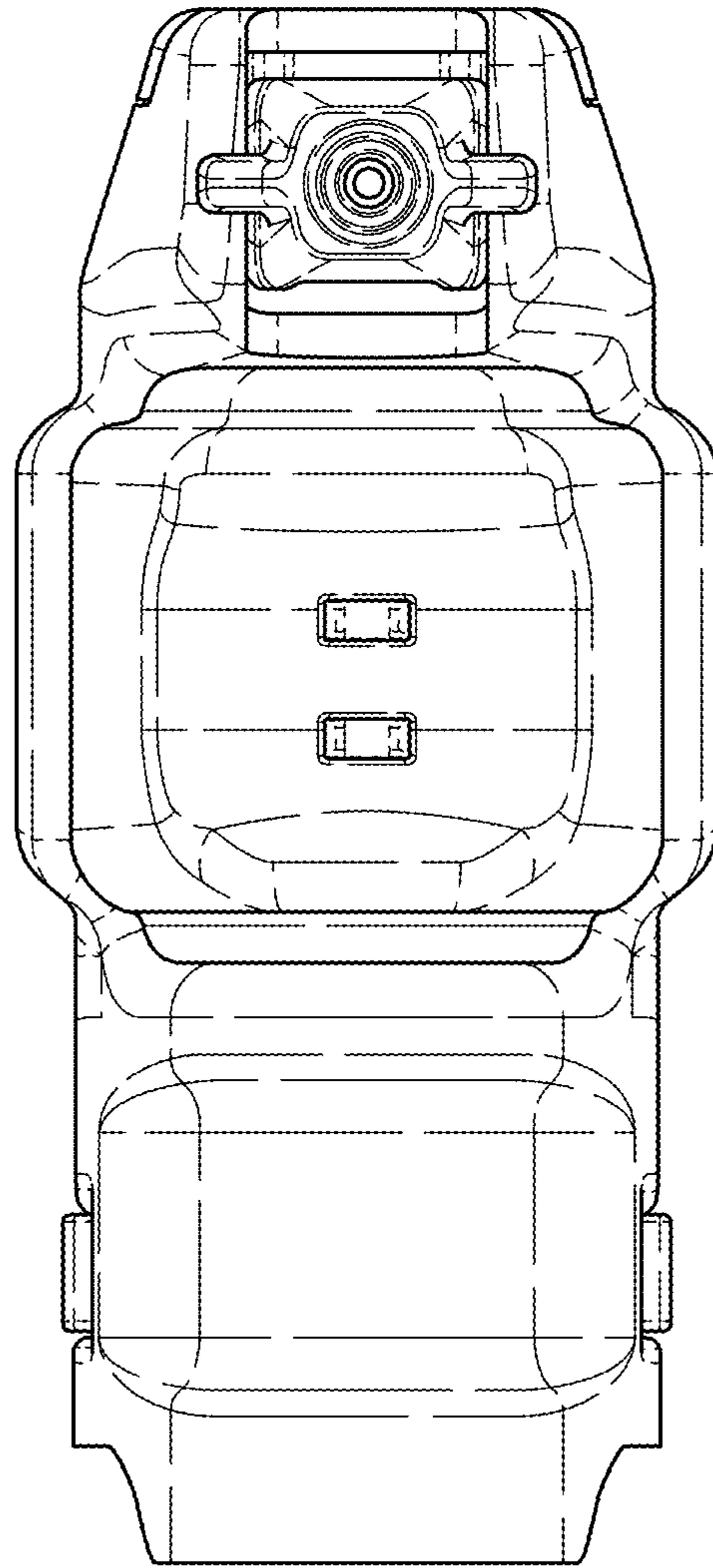


FIG. 5

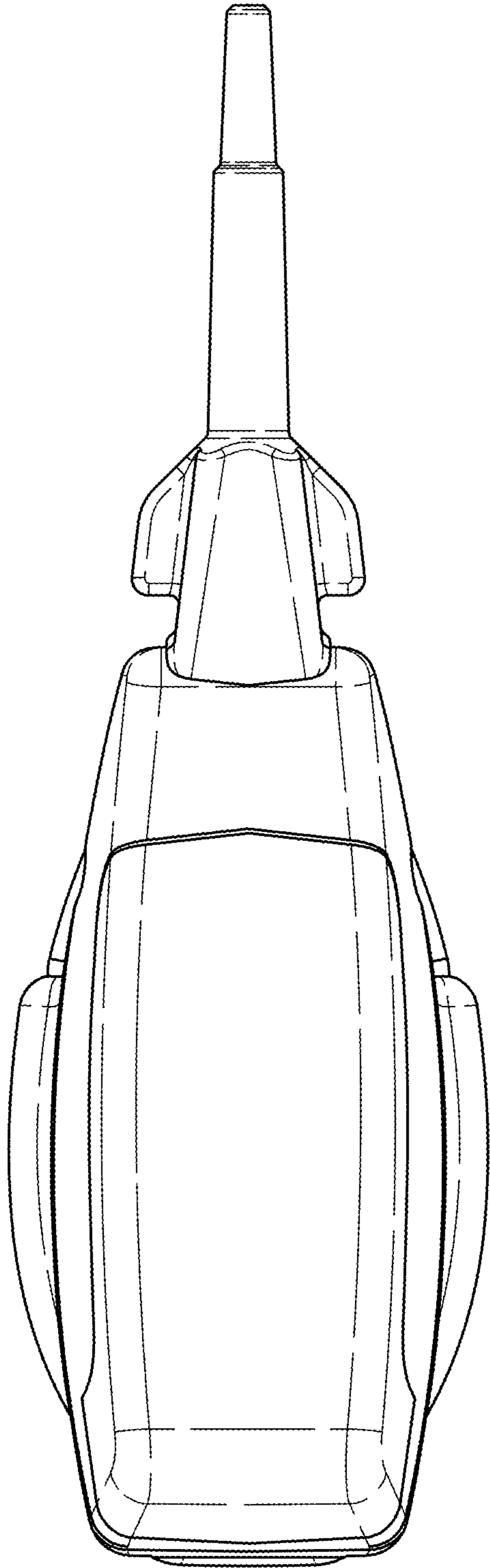


FIG. 6

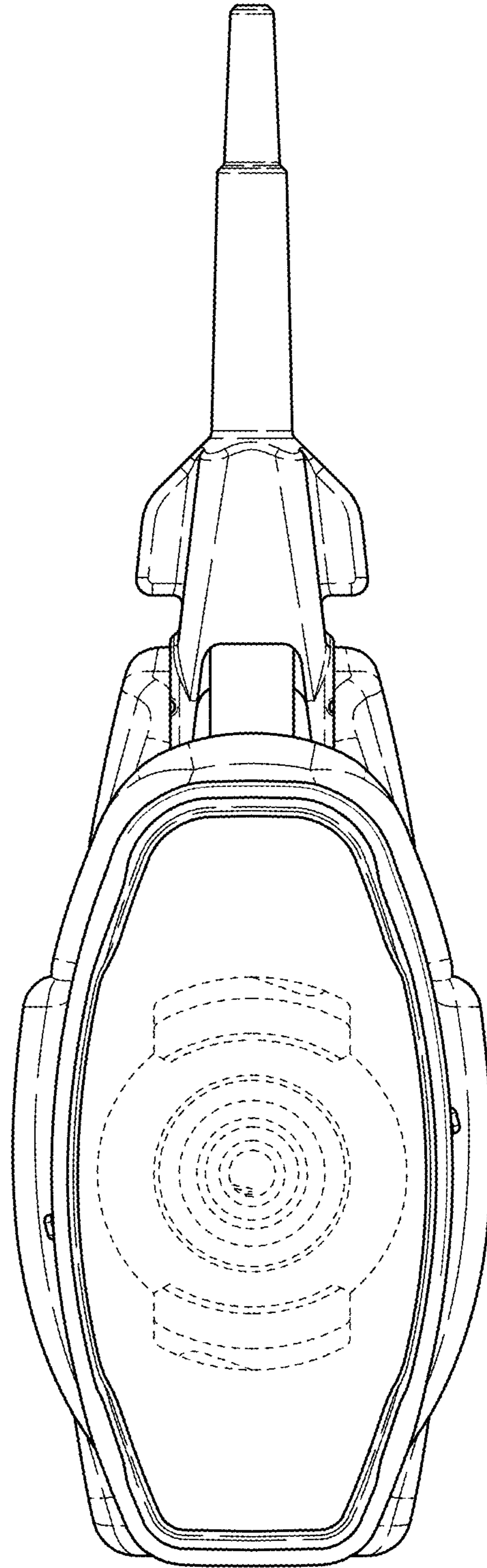


FIG. 7