



US00D910809S

(12) **United States Design Patent** (10) **Patent No.:** **US D910,809 S**  
**Pawlak** (45) **Date of Patent:** **\*\* Feb. 16, 2021**

(54) **ALCOHOL DISTILLATION APPARATUS**

(71) Applicant: **Next Century Spirits LLC**, Raleigh, NC (US)

(72) Inventor: **Joel J. Pawlak**, Raleigh, NC (US)

(73) Assignee: **Next Century Spirits LLC**, Raleigh, NC (US)

(\*\*) Term: **15 Years**

(21) Appl. No.: **29/689,162**

(22) Filed: **Apr. 26, 2019**

(51) **LOC (13) Cl.** ..... **23-01**

(52) **U.S. Cl.**  
USPC ..... **D23/207**

(58) **Field of Classification Search**  
USPC ..... D23/207, 208, 209, 225  
CPC ..... B01D 3/001; B01D 3/02; B01D 3/163  
See application file for complete search history.

(56) **References Cited**

**U.S. PATENT DOCUMENTS**

D647,171 S \* 10/2011 Underwood ..... D23/207  
D647,172 S \* 10/2011 Underwood ..... D23/207  
10,005,003 B1 \* 6/2018 Littrel ..... B01D 3/163

**FOREIGN PATENT DOCUMENTS**

CN 2013-B60364 \* 10/2012  
CN 2013-D65890 \* 12/2012  
CN 2013-D80096 \* 12/2012  
CN 2014-B23950 \* 11/2013  
CN 2014-Q20062 \* 11/2013  
CN 2018-06725 P \* 6/2014

CN 2015-63281J \* 8/2015  
CN 2015-77210 F \* 8/2015  
CN 2018-497716 \* 1/2018  
WO D072891-001 \* 9/2009

**OTHER PUBLICATIONS**

Moonshine still, announced Date unavailable[online], [site visited Sep. 29, 2020]. Available from internet, URL:< https://www.amazon.com/YUEWO-Moonshine-Ethanol-Alcohol-Distiller/dp/B08BJ1T7YL?th=1> (Year: 2020).\*

\* cited by examiner

*Primary Examiner* — Barbara Fox

*Assistant Examiner* — Jamaal Rasheed

(74) *Attorney, Agent, or Firm* — Stanek Lemon Crouse & Meeks, PA

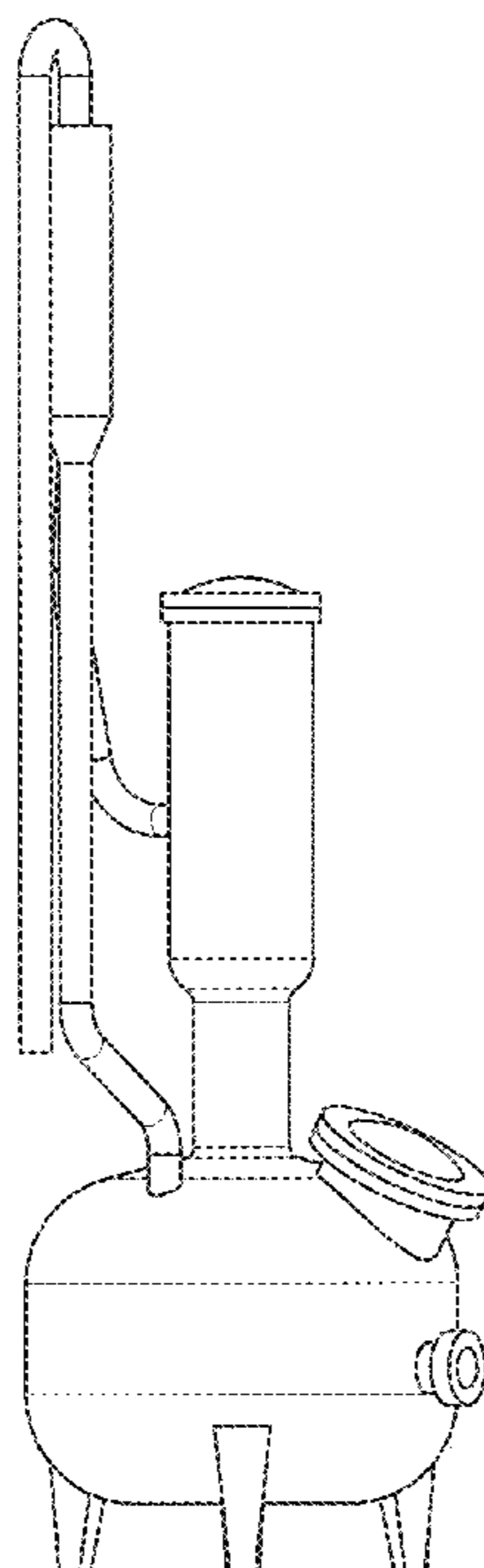
(57) **CLAIM**

The ornamental design for an alcohol distillation apparatus, as shown and described.

**DESCRIPTION**

FIG. 1 is a front perspective view of the alcohol distillation apparatus showing the design;  
FIG. 2 is a front, top perspective view thereof;  
FIG. 3 is a rear view thereof  
FIG. 4 is a front view thereof  
FIG. 5 is a side view thereof; and,  
FIG. 6 is a top view thereof.  
The broken lines shown in the drawing views are included for the purpose of illustrating portions of the alcohol distillation apparatus that form no part of the claimed design.

**1 Claim, 6 Drawing Sheets**



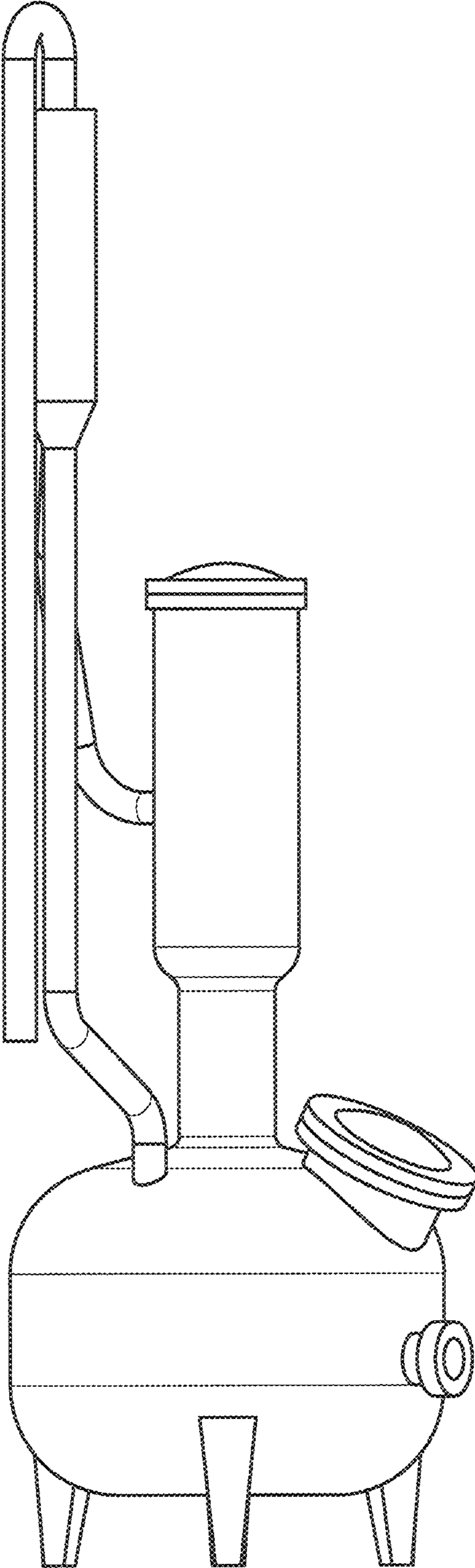


FIG. 1

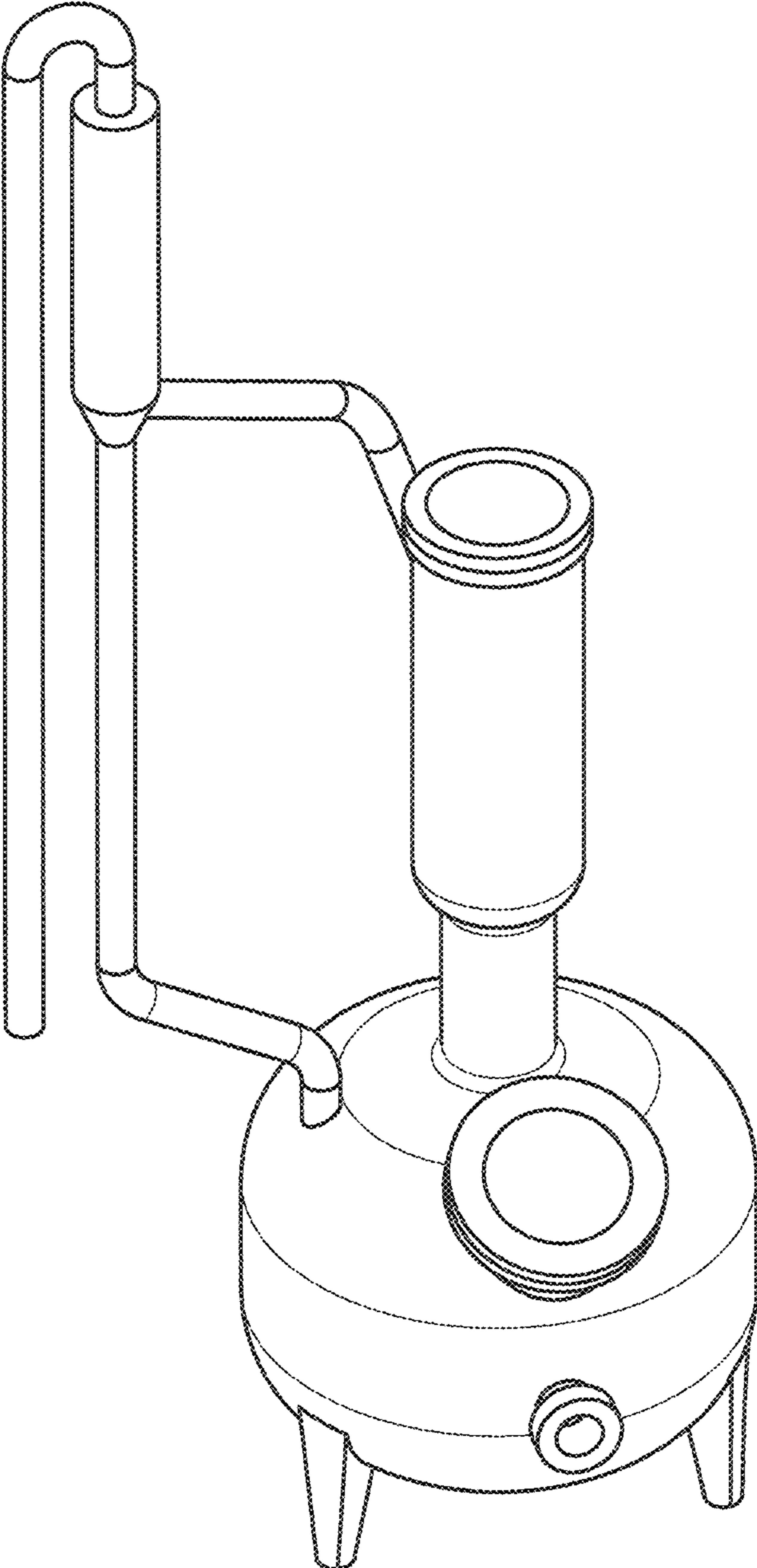


FIG. 2

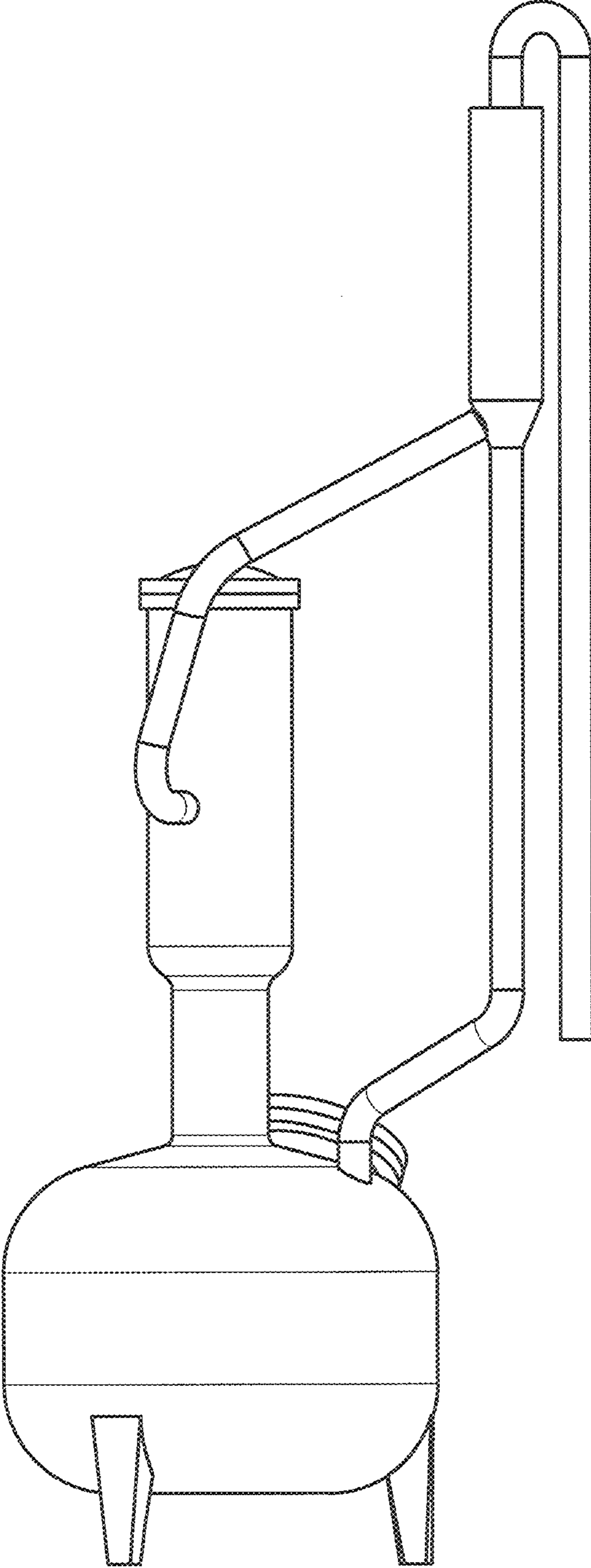


FIG. 3

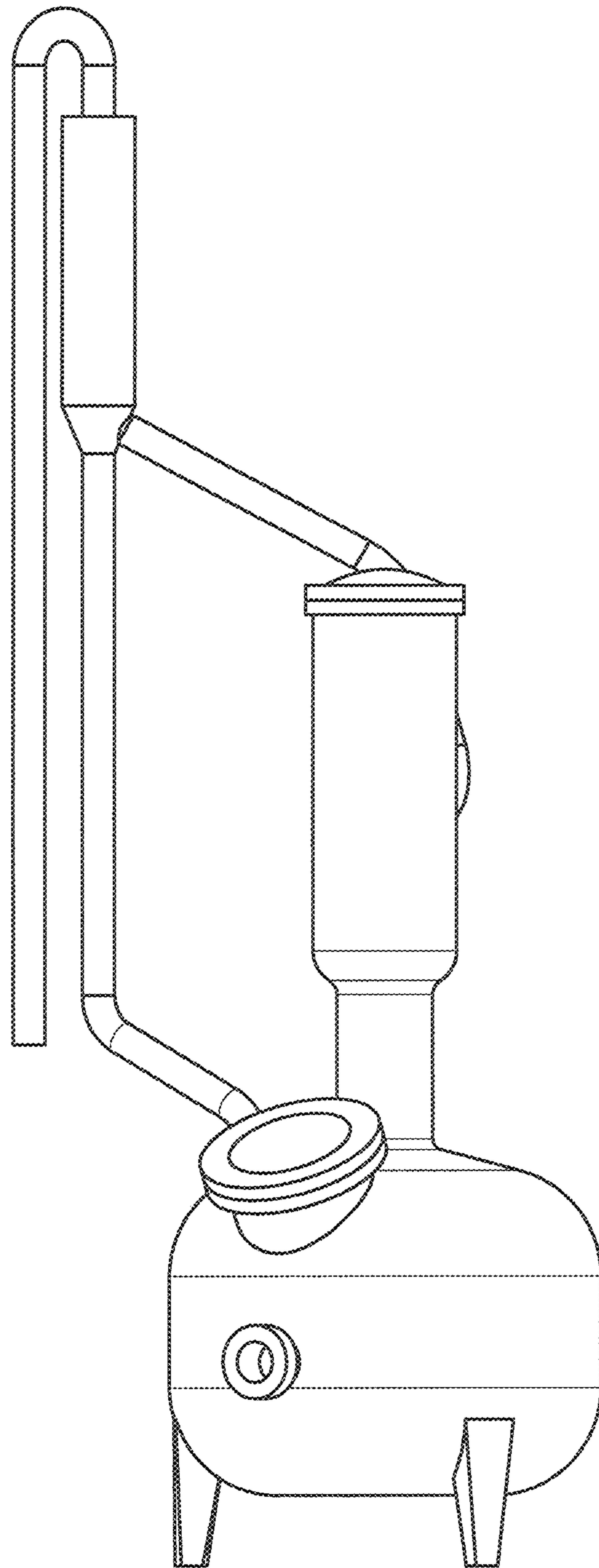


FIG. 4



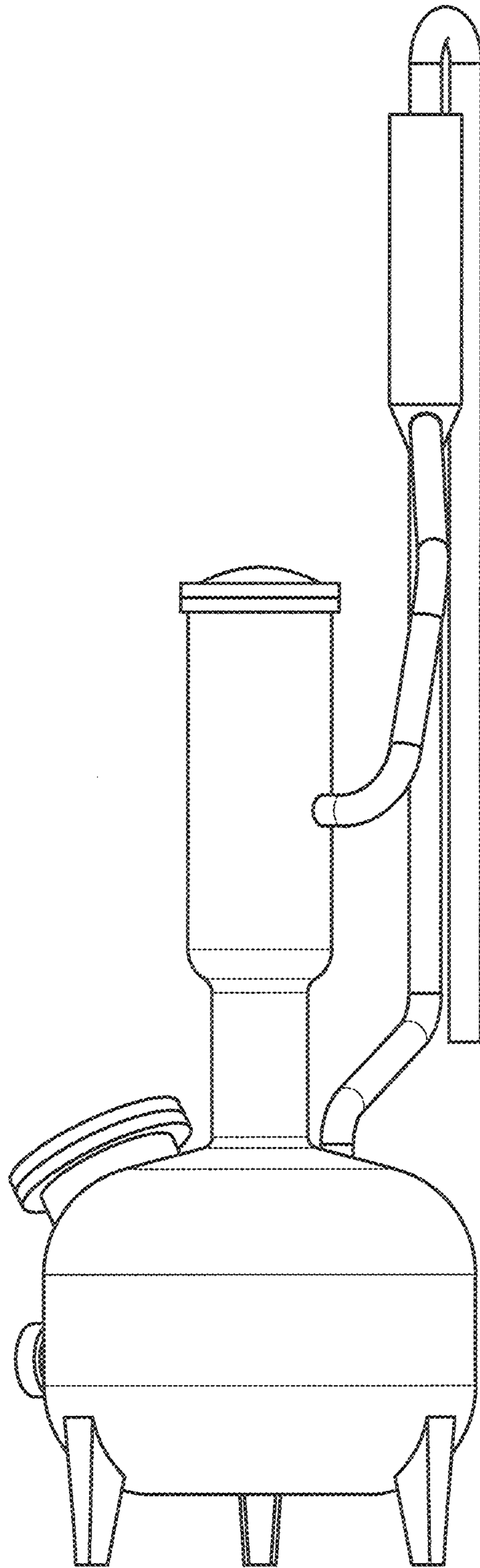


FIG. 5

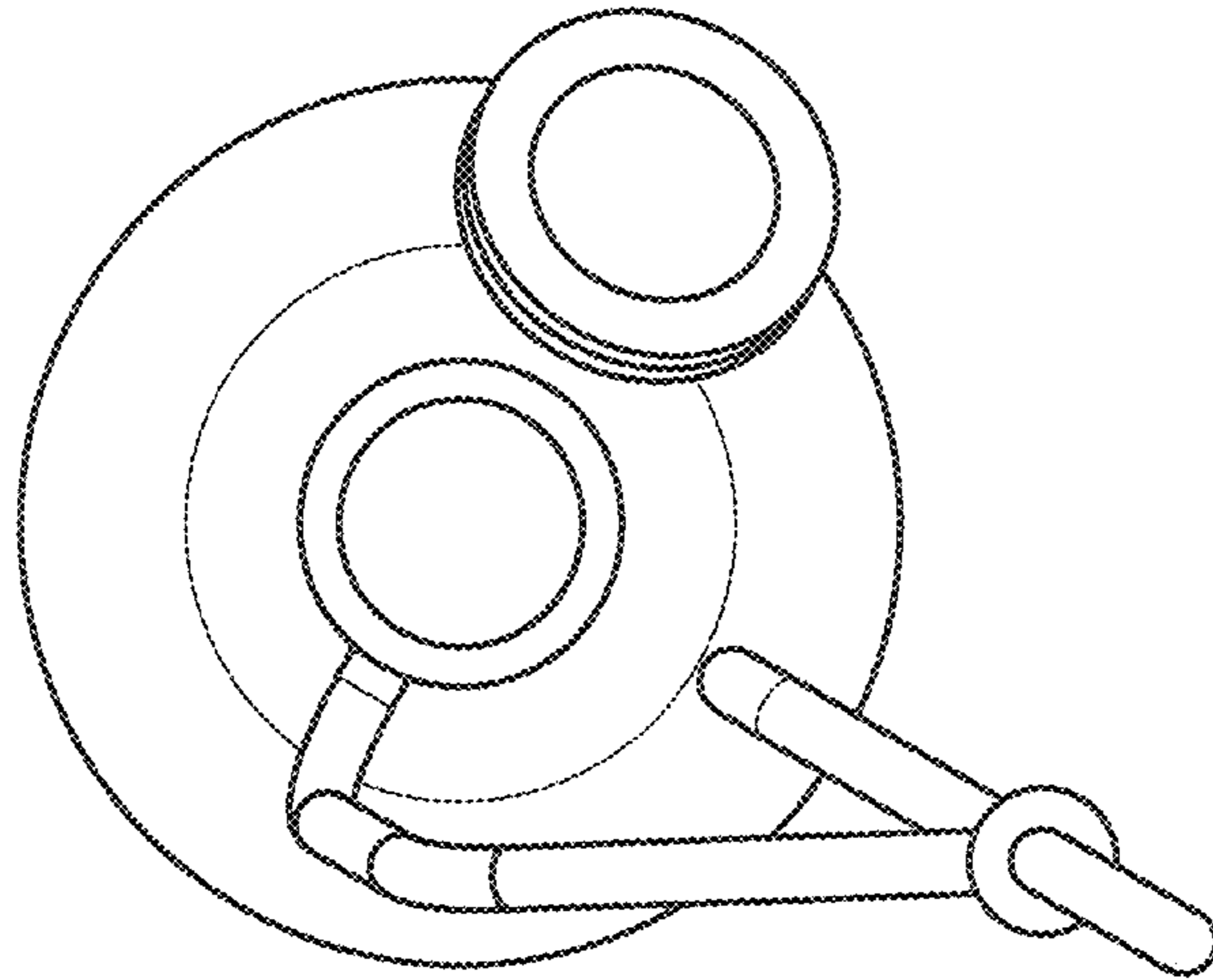


FIG. 6