



US00D910808S

(12) **United States Design Patent** (10) **Patent No.:** **US D910,808 S**  
**Russell et al.** (45) **Date of Patent:** **\*\* Feb. 16, 2021**

(54) **MAIN BODY OF FLUID EMITTING DEVICE**

FOREIGN PATENT DOCUMENTS

(71) Applicant: **KAO CORPORATION**, Tokyo (JP)

EP 0 523 964 A1 1/1993  
JP 1189461 S 11/2003

(72) Inventors: **Michael Edward Philip Russell**,  
Cambridgeshire (GB); **Carl Gordon  
Hewett**, Cambridgeshire (GB)

(Continued)

(73) Assignee: **KAO CORPORATION**, Tokyo (JP)

(\*\*) Term: **15 Years**

(21) Appl. No.: **29/659,717**

(22) Filed: **Aug. 10, 2018**

(51) **LOC (13) Cl.** ..... **23-01**

(52) **U.S. Cl.**  
USPC ..... **D23/202**

(58) **Field of Classification Search**  
USPC ..... D23/200, 201, 202, 207, 209, 260, 261,  
D23/262, 366; D7/412, 414; D32/35  
CPC .... B01D 35/30; B01D 35/153; B01D 35/306;  
B01D 2201/30; B01D 2201/29; B01D  
24/10; B01D 36/02; B01D 29/035; B01D  
29/0009; C02F 1/002; C02F 1/003  
See application file for complete search history.

(56) **References Cited**

U.S. PATENT DOCUMENTS

6,311,903	B1	11/2001	Gaw et al.	
6,318,647	B1	11/2001	Gaw et al.	
6,814,318	B2	11/2004	Wilson et al.	
D504,868	S	5/2005	Lodato et al.	
D520,446	S	5/2006	Liu et al.	
D524,282	S	7/2006	Beasley et al.	
D525,880	S *	8/2006	Okamura	D10/15
D541,260	S *	4/2007	Christianson	D14/215
D555,087	S	11/2007	Brefka et al.	
D599,897	S *	9/2009	Low	D23/364
D606,515	S *	12/2009	Ludlum	D14/207
D621,347	S	8/2010	Aulwes et al.	
D642,157	S *	7/2011	Holzer	D14/209.1
D645,129	S *	9/2011	Lin	D23/342

(Continued)

OTHER PUBLICATIONS

Quick QUICK982B Dispensing Controller [Apr. 17, 2020] found online [Apr. 17, 2020]—[https://www.gotopac.com/quick-dispensing-controller.html?utm\\_source=google&utm\\_medium=cpc&adpos=&scid=scplp1310108&sc\\_intid=1310108&gclid=EAlalQobChMl47nx3Pfv6AIVBL3ICh3R5wcMEAQYCyABEgLANPD\\_BwE.\\*](https://www.gotopac.com/quick-dispensing-controller.html?utm_source=google&utm_medium=cpc&adpos=&scid=scplp1310108&sc_intid=1310108&gclid=EAlalQobChMl47nx3Pfv6AIVBL3ICh3R5wcMEAQYCyABEgLANPD_BwE.*)

*Primary Examiner* — John A Voytek

(74) *Attorney, Agent, or Firm* — Oblon, McClelland,  
Maier & Neustadt, L.L.P.

(57) **CLAIM**

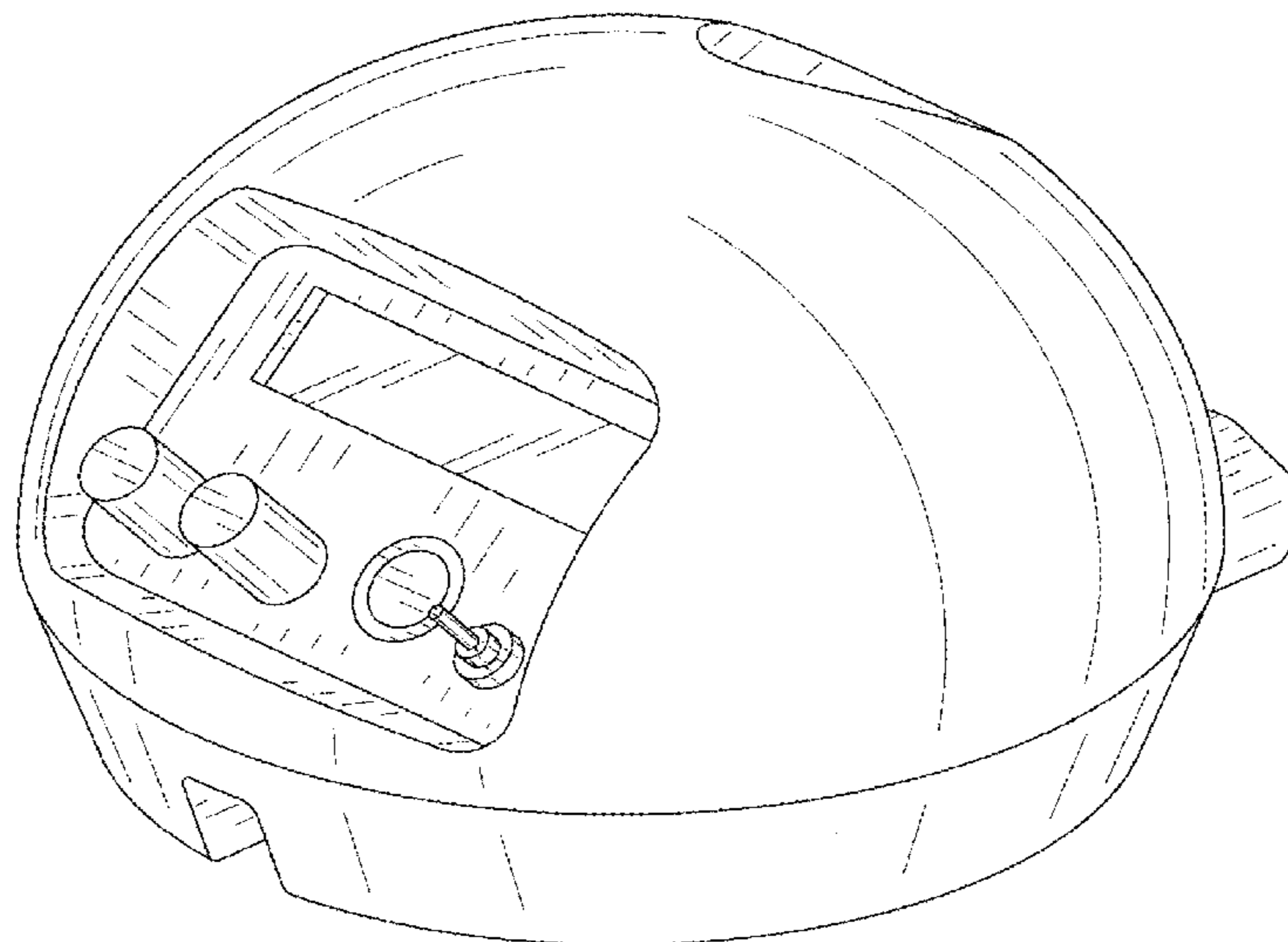
The ornamental design for a main body of fluid emitting device, as shown and described.

**DESCRIPTION**

FIG. 1 is a front, right side, top perspective view of a main body of fluid emitting device showing our new design; FIG. 2 is a front elevational view thereof; FIG. 3 is a rear elevational view thereof; FIG. 4 is a left side view thereof; FIG. 5 is a right side view thereof; FIG. 6 is a top plan view thereof; FIG. 7 is a bottom plan view thereof; and, FIG. 8 is a reference perspective view thereof, showing a state in which this article is used.

The broken lines in FIG. 2 are for purposes of illustrating portions of the main body of fluid emitting device, the evenly spaced broken lines in FIG. 8 depicts environmental subject matter, and the dash-dot-dash lines in FIG. 8 depict a symbolic break; none of the broken lines form part of the claimed design.

**1 Claim, 6 Drawing Sheets**



(56)

**References Cited**

U.S. PATENT DOCUMENTS

D655,372	S	*	3/2012	Kimball .....	D23/202
D699,674	S		2/2014	Man	
D719,248	S	*	12/2014	Smith, Jr. ....	D23/356
D741,460	S	*	10/2015	Merrifield .....	D23/263
D768,809	S	*	10/2016	Krotz .....	D23/200
D774,248	S		12/2016	Jordan et al.	
D786,789	S		5/2017	Jordan et al.	
D828,487	S	*	9/2018	Romanos .....	D23/202
D839,990	S	*	2/2019	Burke .....	D23/209
D858,733	S	*	9/2019	Li .....	D23/366
D865,663	S	*	11/2019	Yao .....	D13/108
D869,604	S	*	12/2019	Roth .....	D23/207
2003/0080197	A1	*	5/2003	Tuomikoski .....	A61L 9/12
					239/44
2014/0020408	A1	*	1/2014	Berchowitz .....	F25B 9/14
					62/6

FOREIGN PATENT DOCUMENTS

JP	1247320	S	8/2005
JP	1268220	S	4/2006
JP	1333155	S	6/2008
JP	1333156	S	6/2008
JP	1348161	S	1/2009
JP	1412410	S	5/2011
JP	1412855	S	5/2011
JP	1415155	S	6/2011
JP	1444860	S	6/2012
JP	1446538	S	7/2012
JP	1477087	S	8/2013
JP	1438347	S	4/2015
JP	1586538	S	9/2017
JP	1603805	S	5/2018

\* cited by examiner

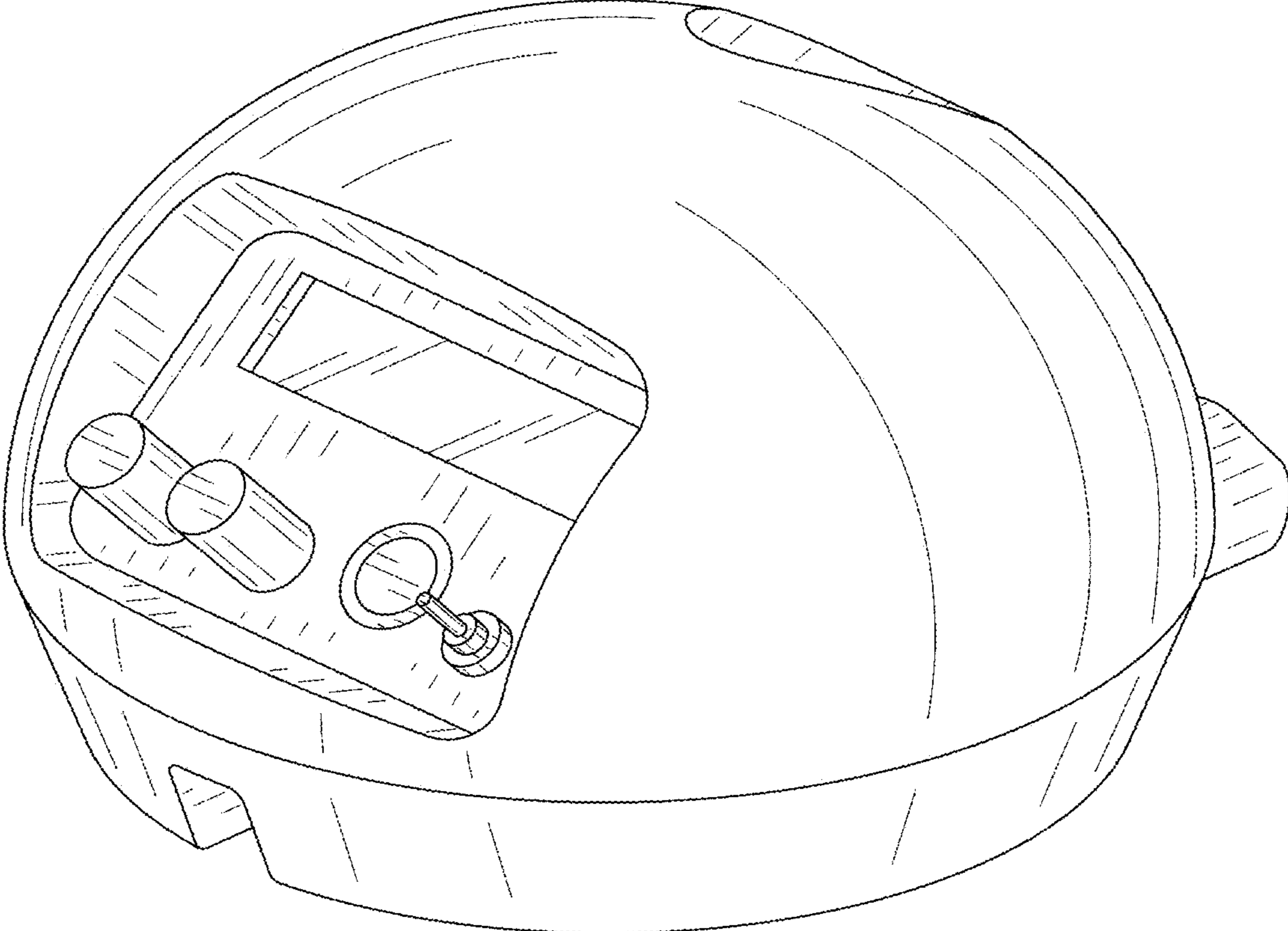
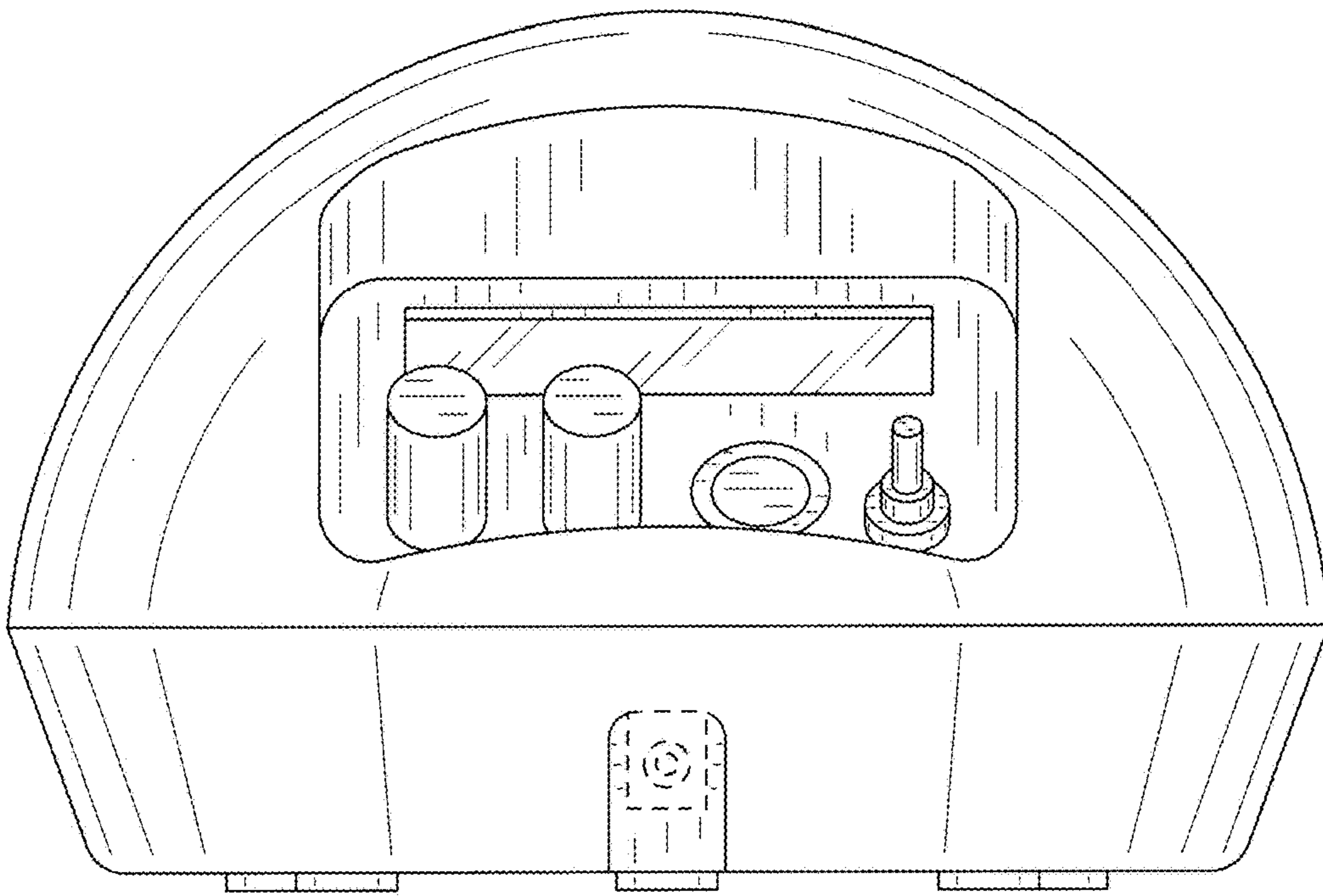
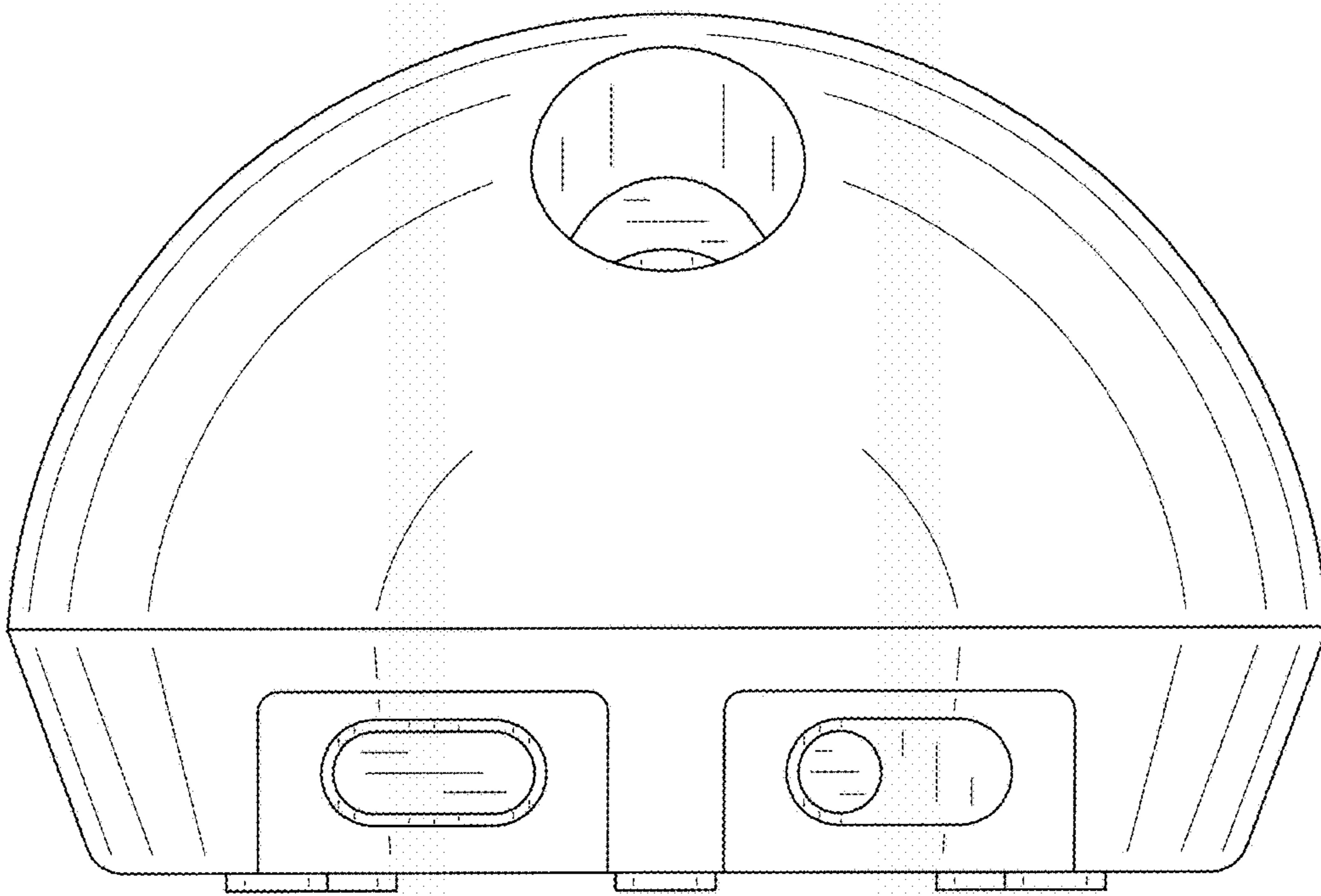


FIG. 1



**FIG. 2**



**FIG. 3**

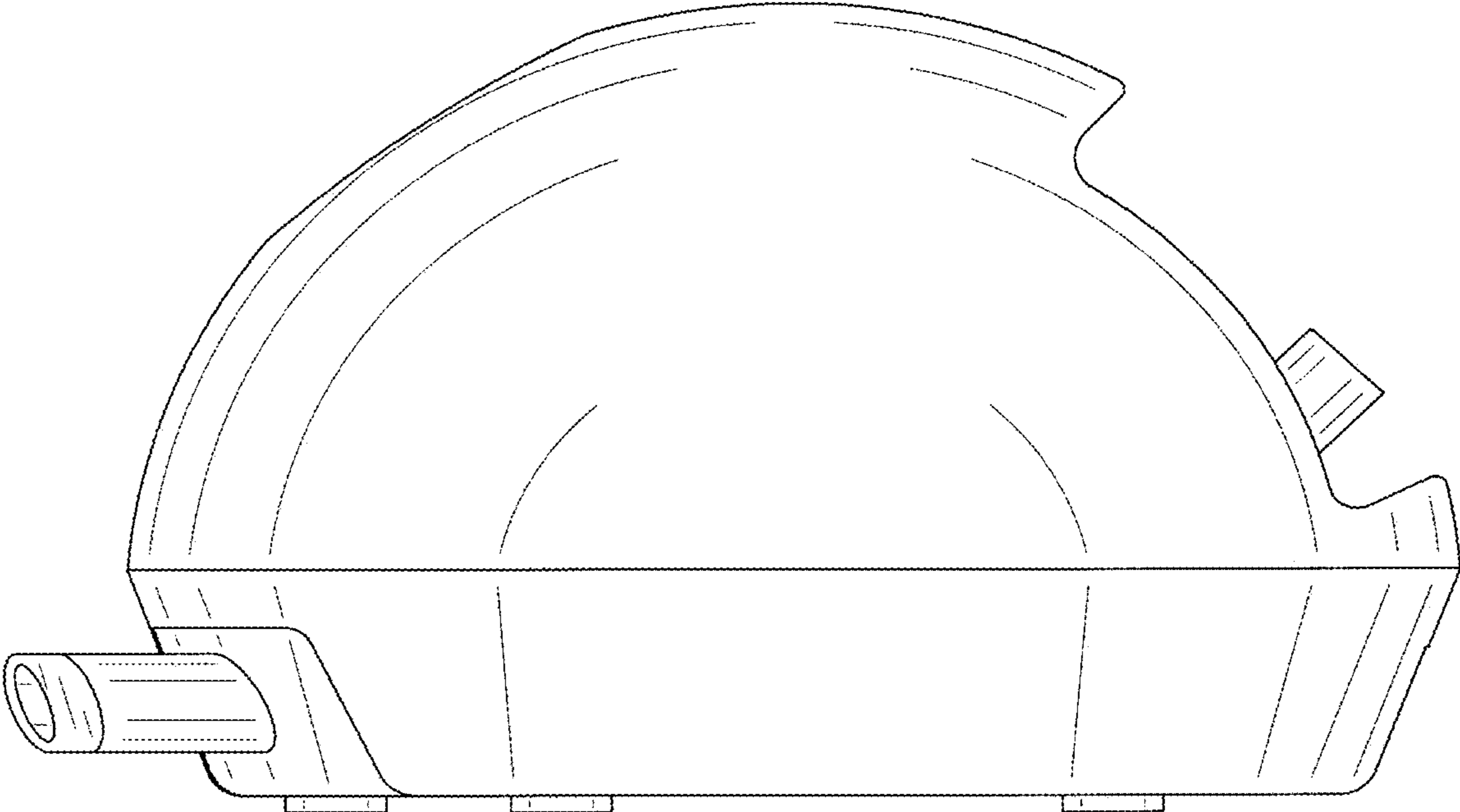


FIG. 4

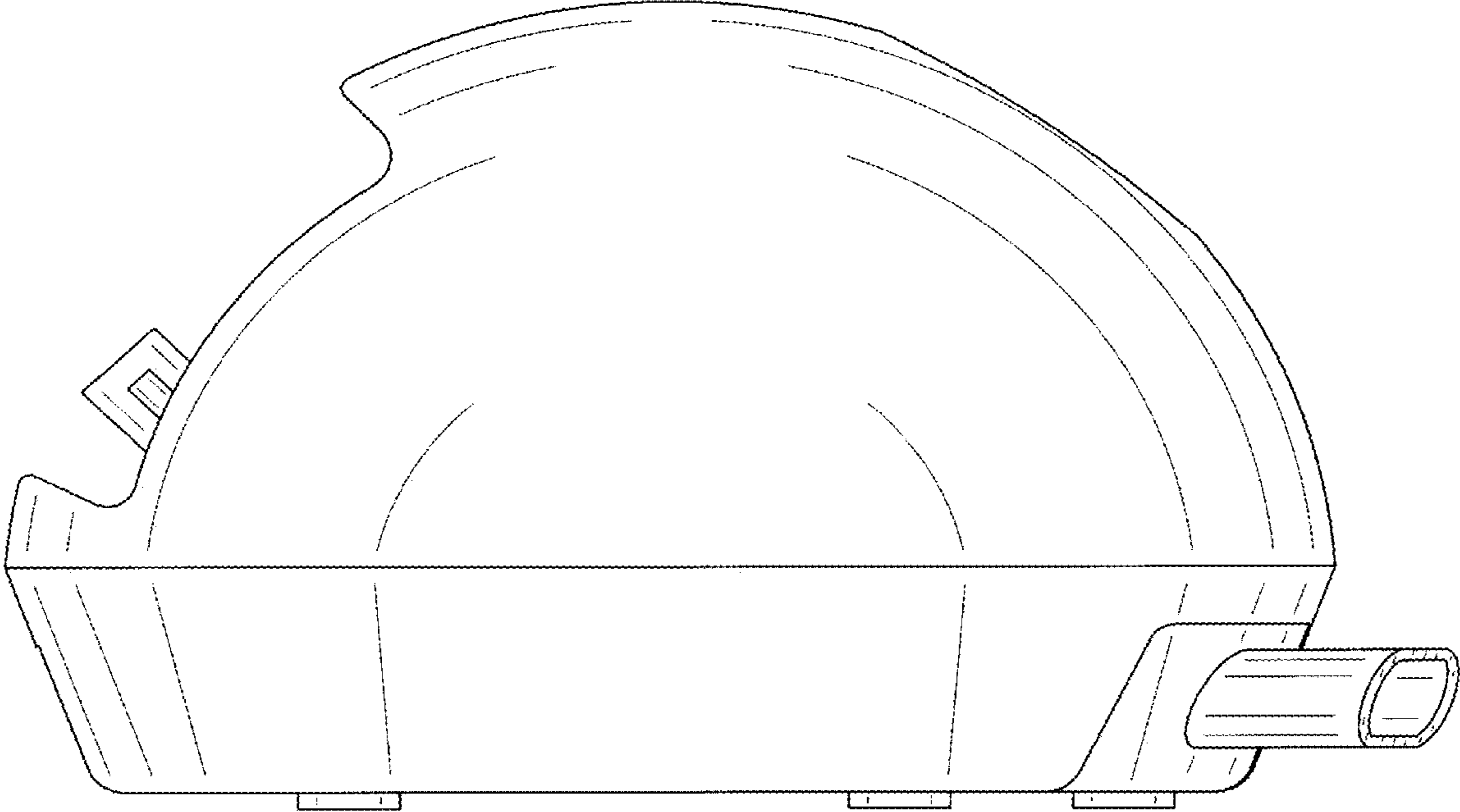


FIG. 5

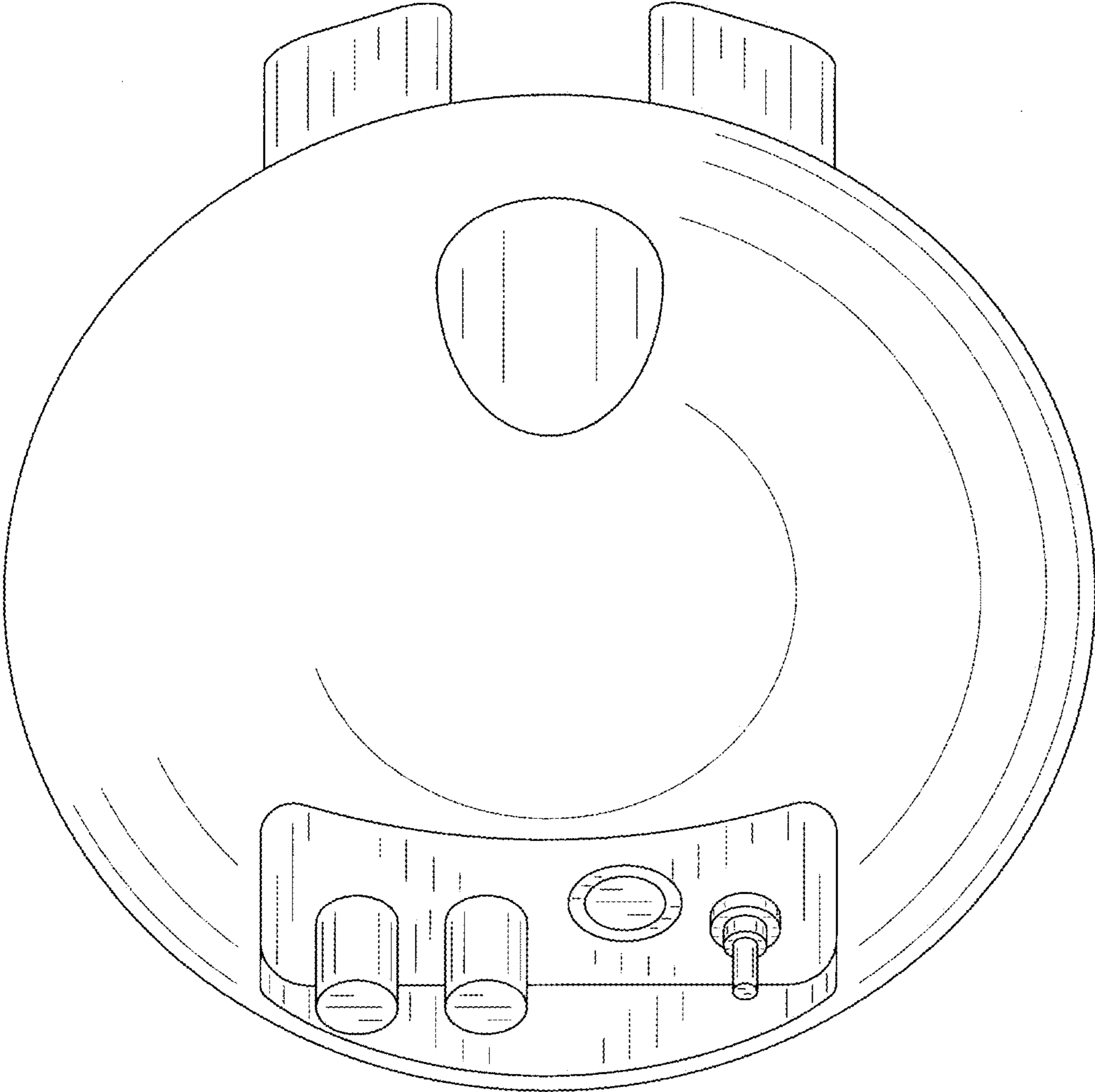
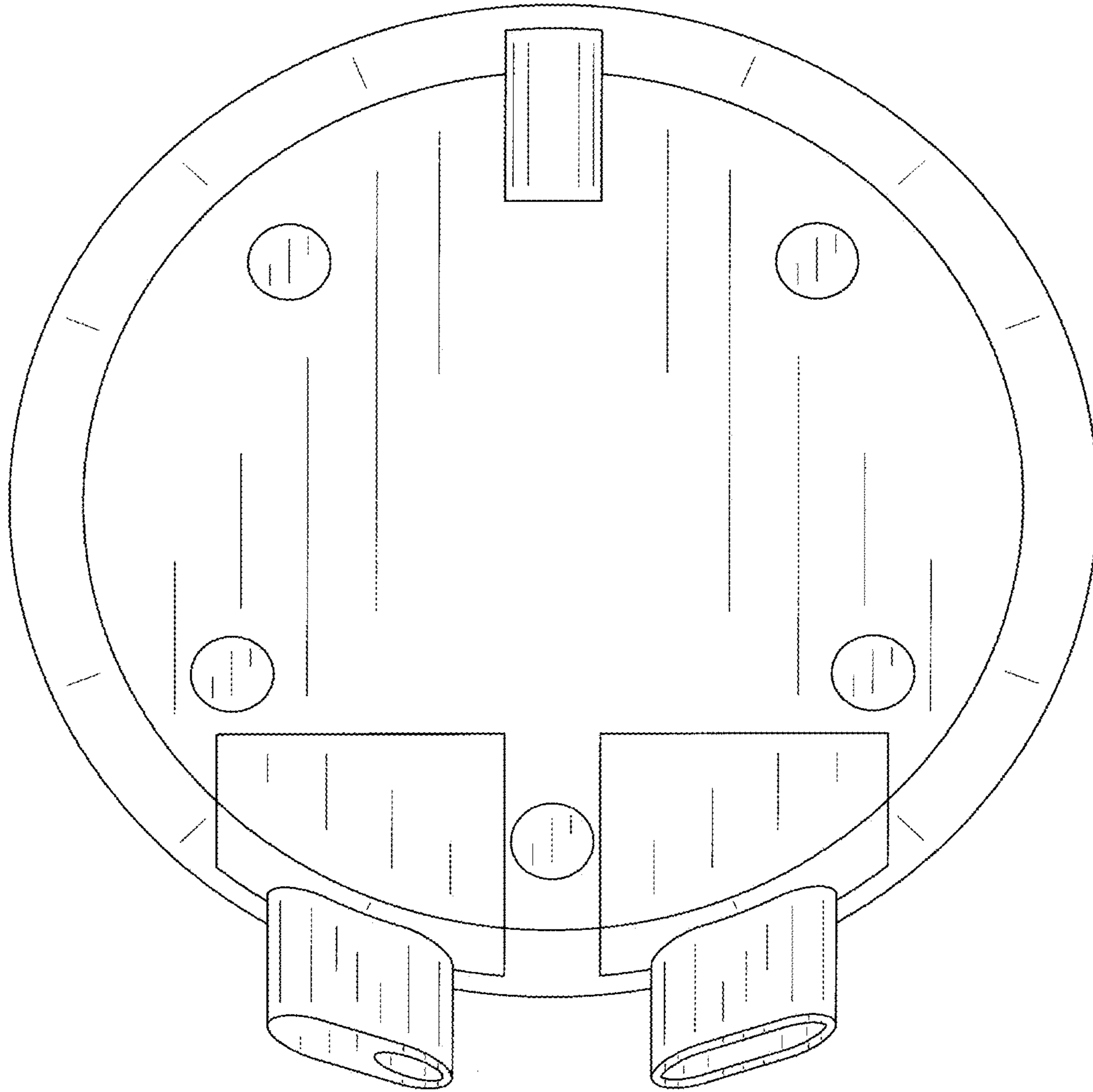


FIG. 6



**FIG. 7**

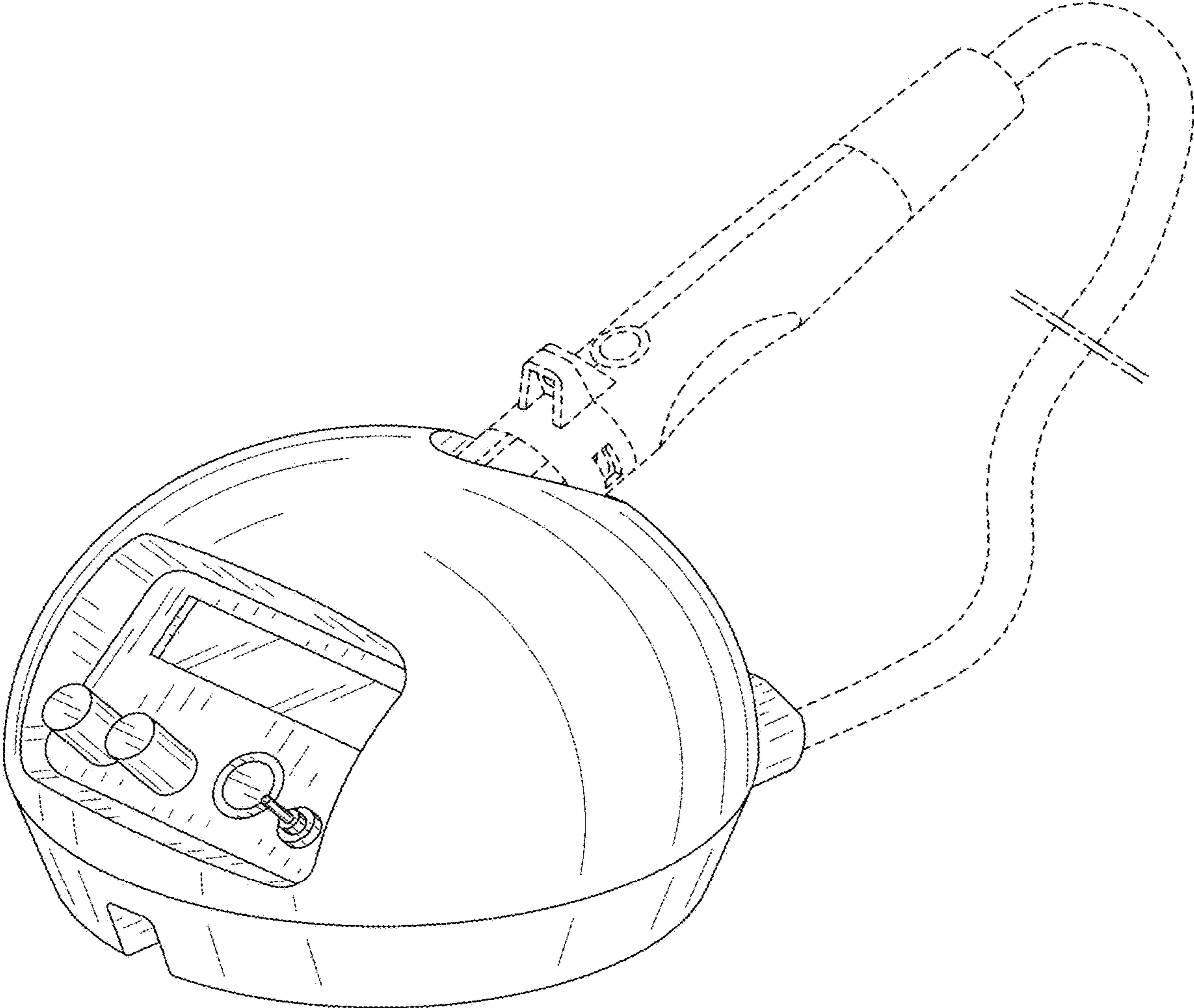


FIG. 8