



US00D910806S

(12) **United States Design Patent**  
**Pratt**

(10) **Patent No.:** **US D910,806 S**

(45) **Date of Patent:** **\*\* Feb. 16, 2021**

(54) **FISHING ROD HOLDER**

(71) Applicant: **RAILBLAZA LIMITED**, Silverdale  
Auckland (NZ)

(72) Inventor: **Chris Pratt**, Silverdale (NZ)

(73) Assignee: **Railblaza, LTD.**, Auckland (NZ)

(\*\*) Term: **15 Years**

(21) Appl. No.: **29/718,099**

(22) Filed: **Dec. 20, 2019**

(30) **Foreign Application Priority Data**

Aug. 1, 2019 (AU) ..... 20194296

(51) **LOC (13) Cl.** ..... **22-05**

(52) **U.S. Cl.**  
USPC ..... **D22/147**

(58) **Field of Classification Search**  
USPC ..... D22/147; 43/21.2, 23, 25; D6/552-553,  
D6/567; 211/13.1, 70.8, 60.1; 248/512,  
248/520, 538

CPC ..... A01K 87/08; A01K 97/10; A47B 81/005  
See application file for complete search history.

(56) **References Cited**

**U.S. PATENT DOCUMENTS**

D239,533 S \* 4/1976 Polzin ..... D3/221  
D595,808 S \* 7/2009 Baltes ..... D22/147

D618,759 S \* 6/2010 Rouwhorst ..... D22/147  
D727,457 S \* 4/2015 Seiders ..... D22/147  
D783,769 S \* 4/2017 Vela ..... D22/147  
D844,746 S \* 4/2019 Peng ..... D22/147  
D852,316 S \* 6/2019 Meredith ..... D22/147  
D852,927 S \* 7/2019 Olliges ..... D22/147  
D861,125 S \* 9/2019 Baltes ..... D22/147

\* cited by examiner

*Primary Examiner* — Catherine R Oliver-Garcia  
(74) *Attorney, Agent, or Firm* — Emerson Thomson  
Bennett, LLC; Daniel A. Thomson

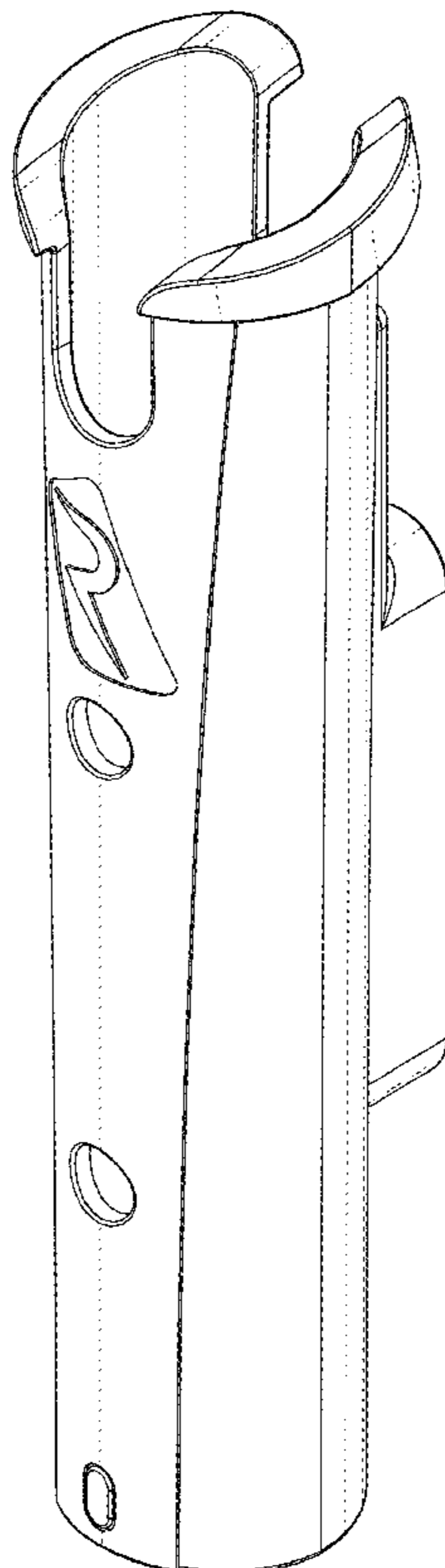
(57) **CLAIM**

The ornamental design for fishing rod holder, as shown and described.

**DESCRIPTION**

FIG. 1 is a front perspective view of the holder;  
FIG. 2 is a rear perspective view of the holder;  
FIG. 3 is a front view of the holder;  
FIG. 4 is a rear view of the holder;  
FIG. 5 is a right-side view of the holder;  
FIG. 6 is a left-side view of the holder;  
FIG. 7 is a top view of the holder; and,  
FIG. 8 is a bottom view of the holder.

**1 Claim, 8 Drawing Sheets**



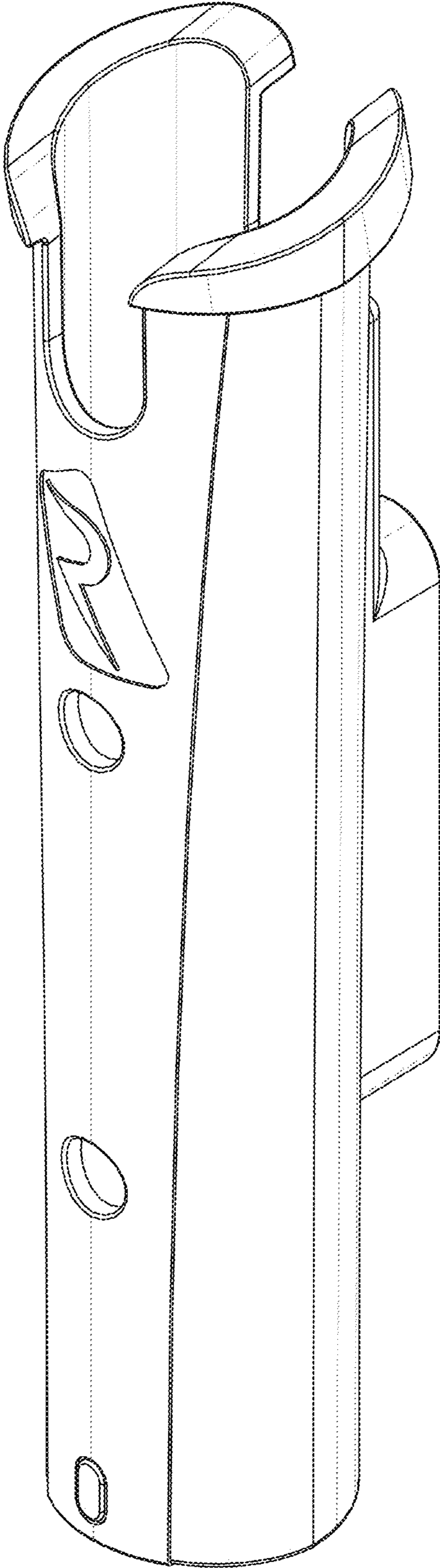


FIG. 1

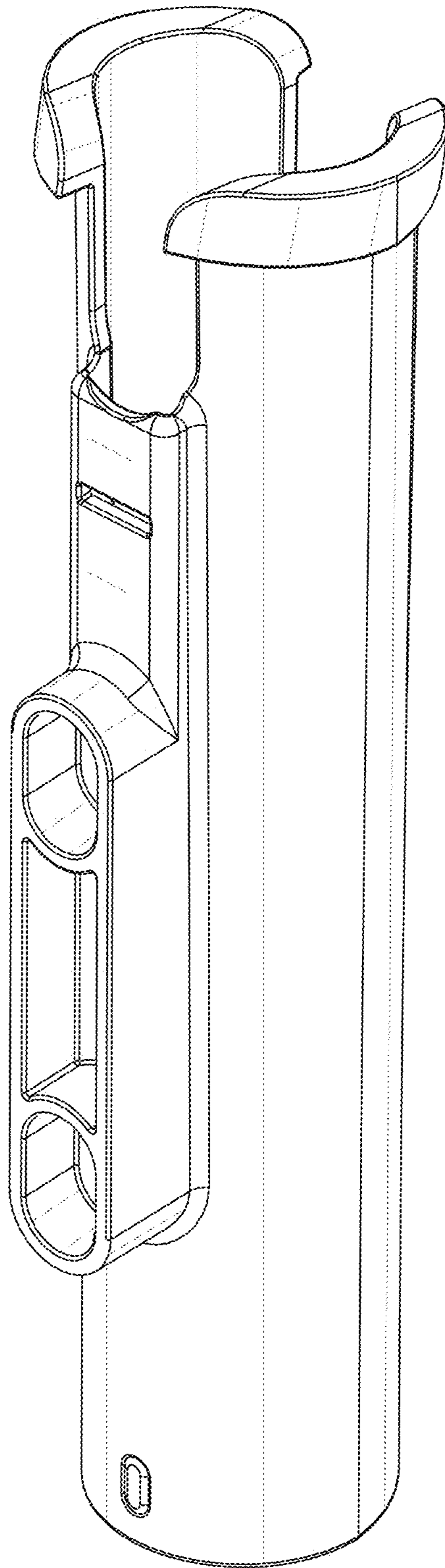


FIG. 2

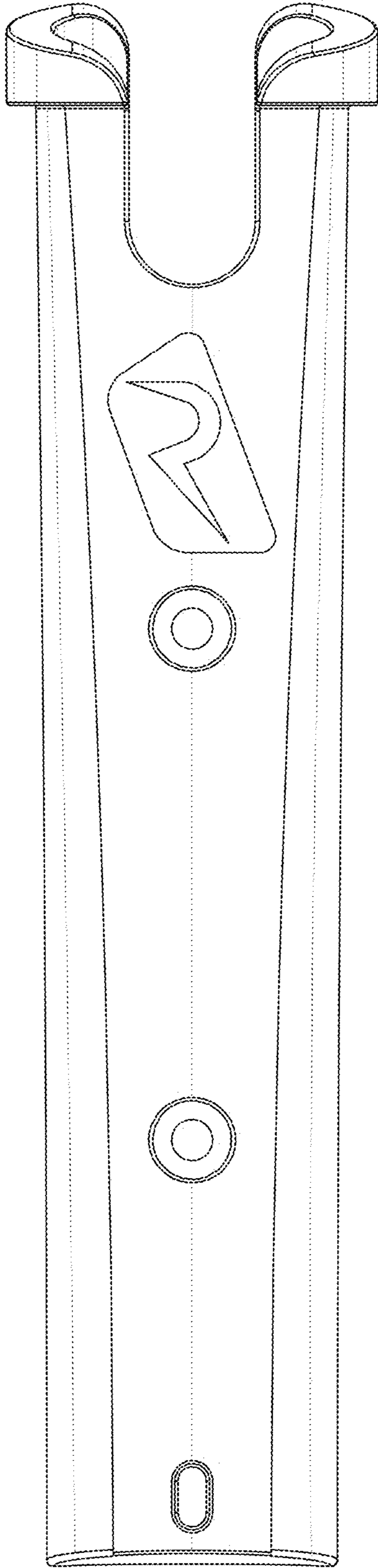


FIG. 3

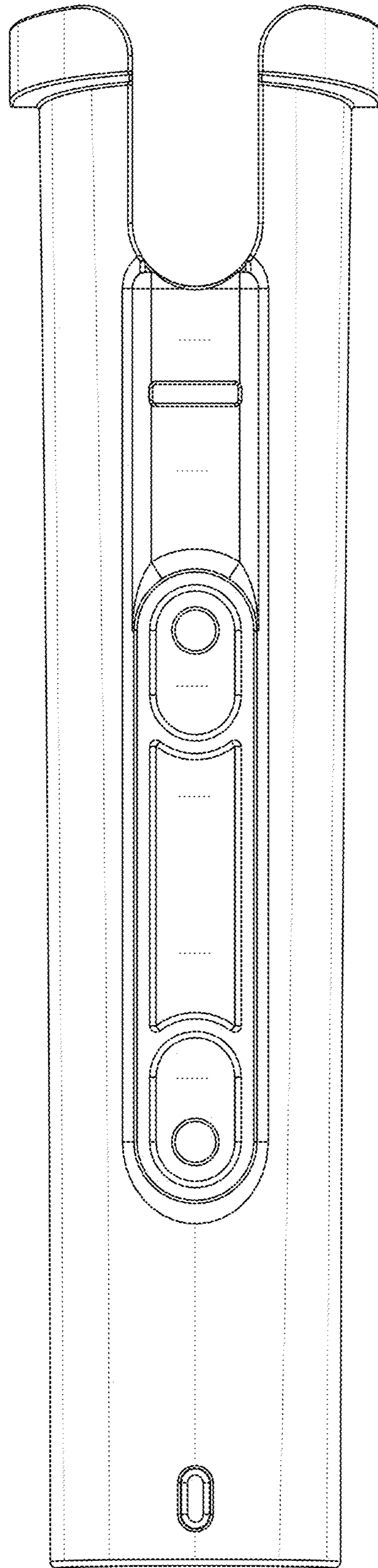


FIG. 4

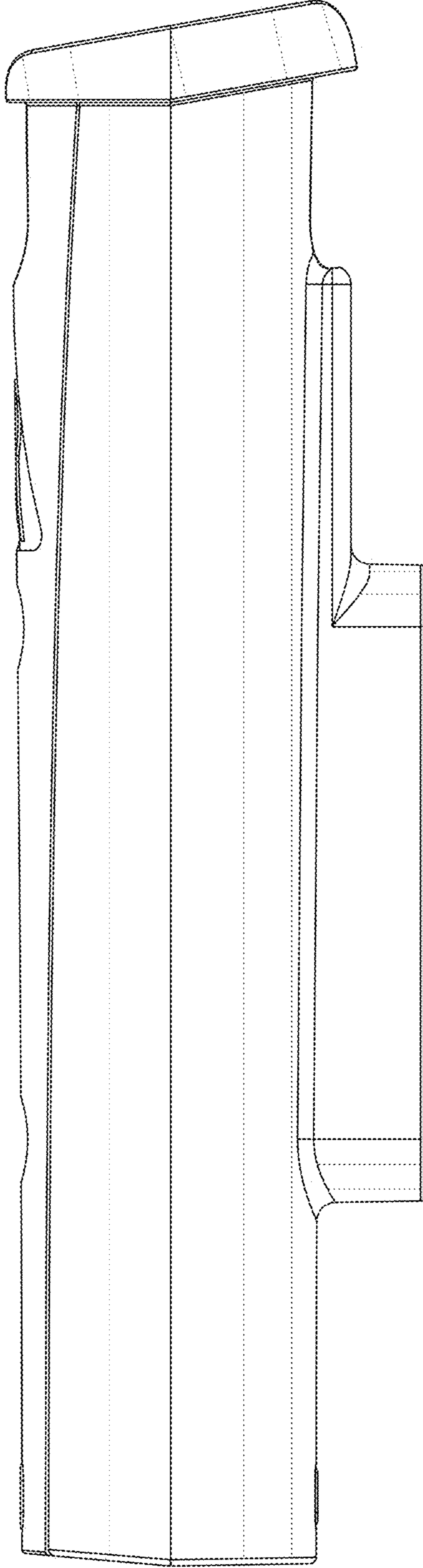


FIG. 5

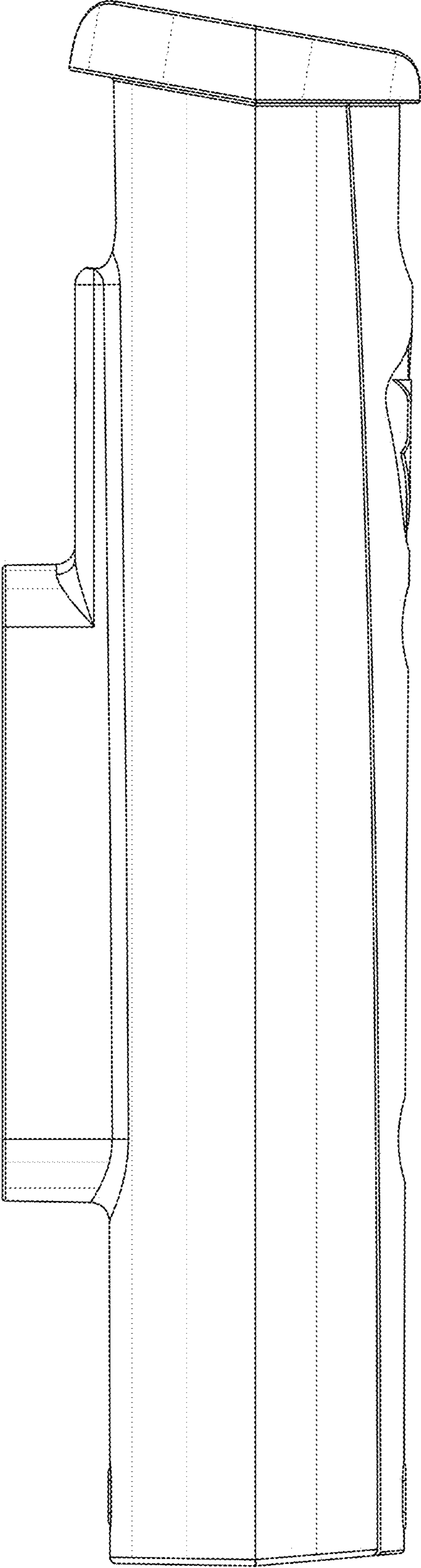


FIG. 6

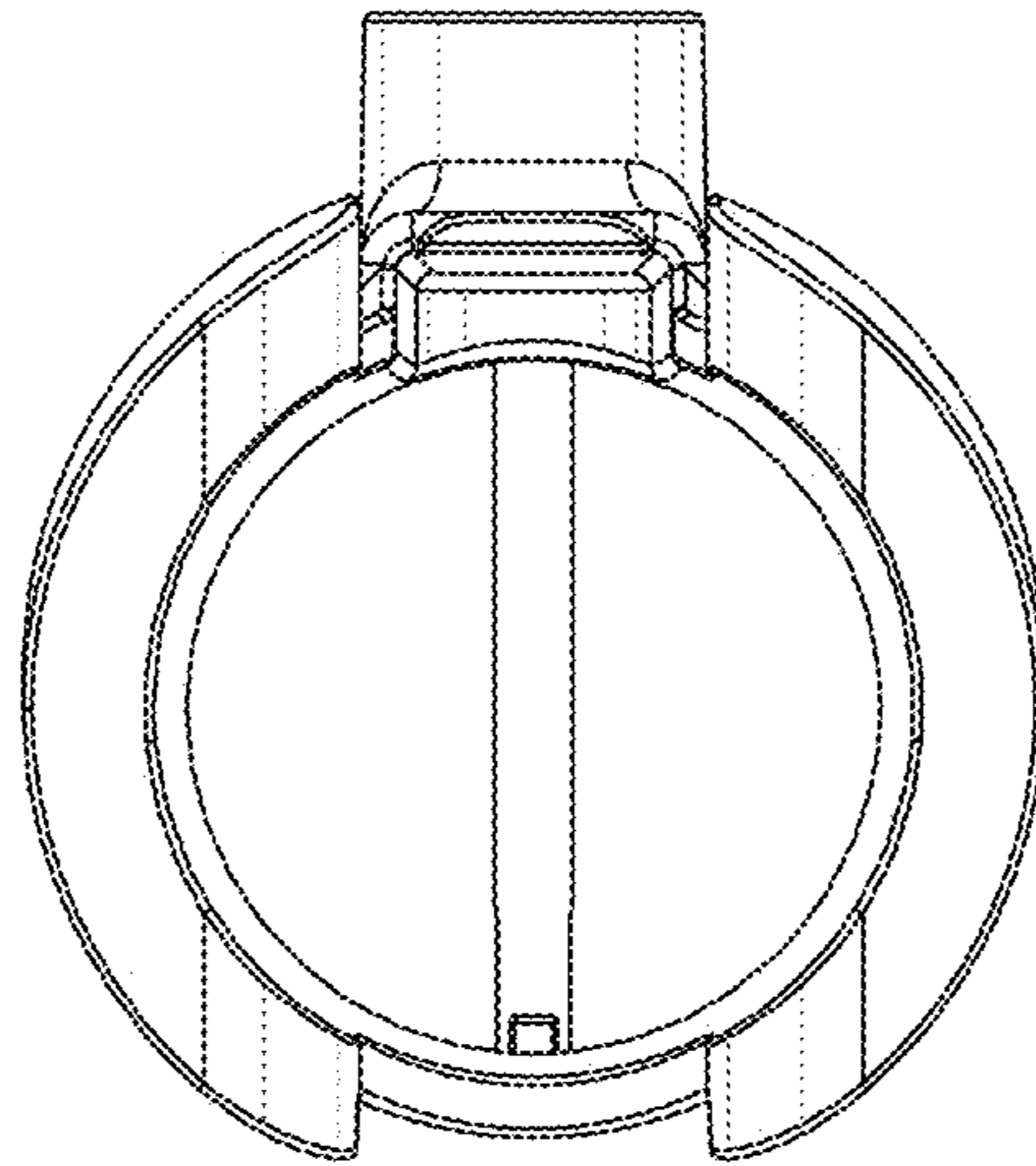


FIG. 7



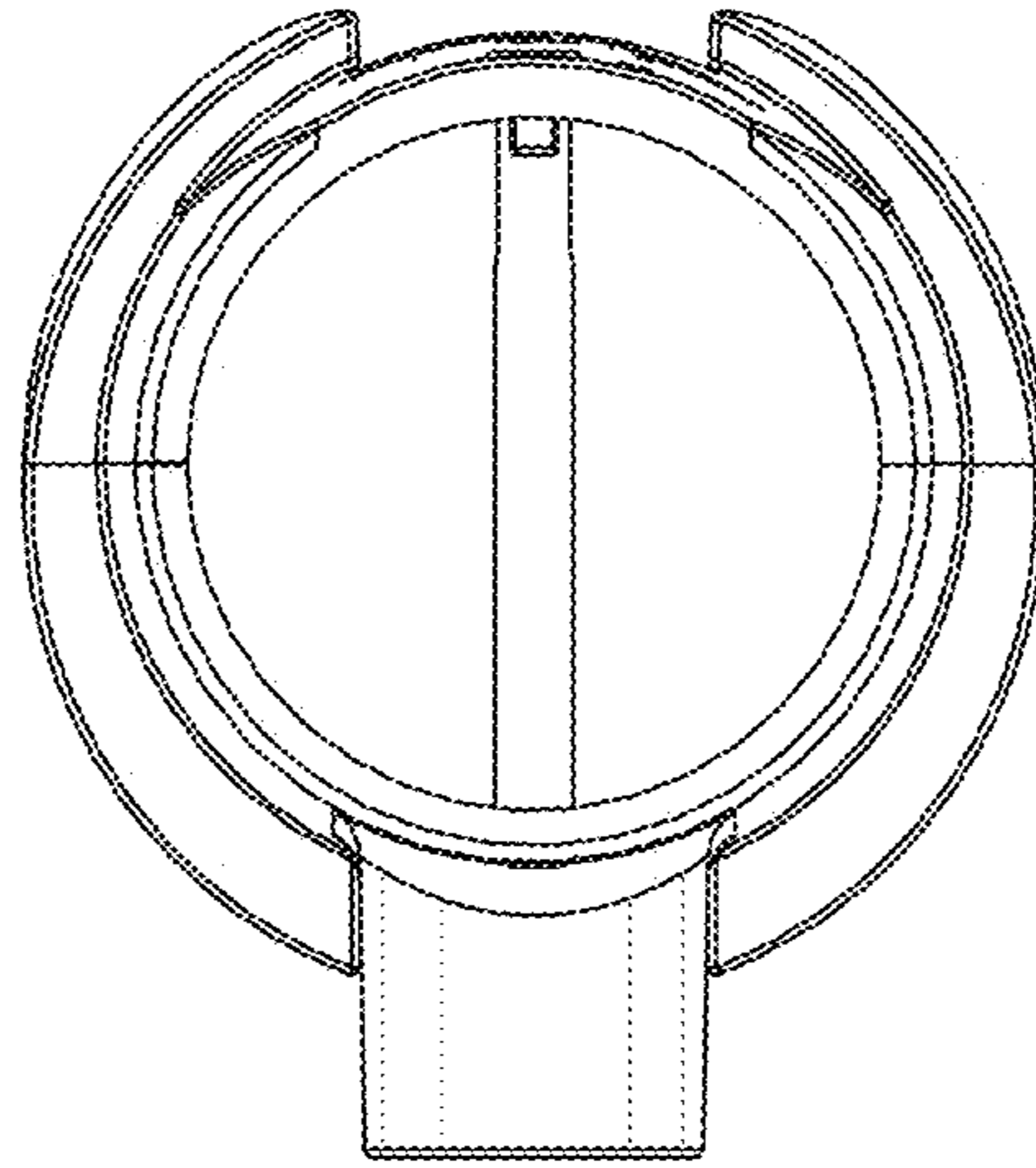


FIG. 8