



US00D910804S

(12) **United States Design Patent**
Barsten

(10) **Patent No.:** **US D910,804 S**

(45) **Date of Patent:** **** Feb. 16, 2021**

(54) **FISHING ROD HOLDER**

(71) Applicant: **Selkirk Design, LLC**, Greenacres, WA (US)

(72) Inventor: **Jerrald Barsten**, Greenacres, WA (US)

(73) Assignee: **Selkirk Design, LLC**, Greenacres, WA (US)

(**) Term: **15 Years**

(21) Appl. No.: **29/715,824**

(22) Filed: **Dec. 4, 2019**

(51) **LOC (13) Cl.** **22-05**

(52) **U.S. Cl.**
USPC **D22/147**

(58) **Field of Classification Search**
USPC D22/147; D6/552-553, 567; 211/13.1, 211/70.8, 60.1; 248/512, 520, 538; 43/21.2, 23, 25
CPC A01K 87/08; A01K 97/10; A47B 81/005
See application file for complete search history.

(56) **References Cited**

U.S. PATENT DOCUMENTS

4,017,998 A *	4/1977	Dumler	A01K 97/10 43/21.2
D749,872 S *	2/2016	Gonzalez	D6/552
2013/0055621 A1 *	3/2013	Fong	A01K 97/10 43/21.2

OTHER PUBLICATIONS

Stealth QR-2 Large Rod Holder With Multi Mount Base, <https://www.cabelas.com/shop/en/stealth-qr-2-large-rod-holder-with-multi-mount-base> (Year: 2020).*

* cited by examiner

Primary Examiner — Catherine R Oliver-Garcia
(74) *Attorney, Agent, or Firm* — Lee & Hayes, P.C.

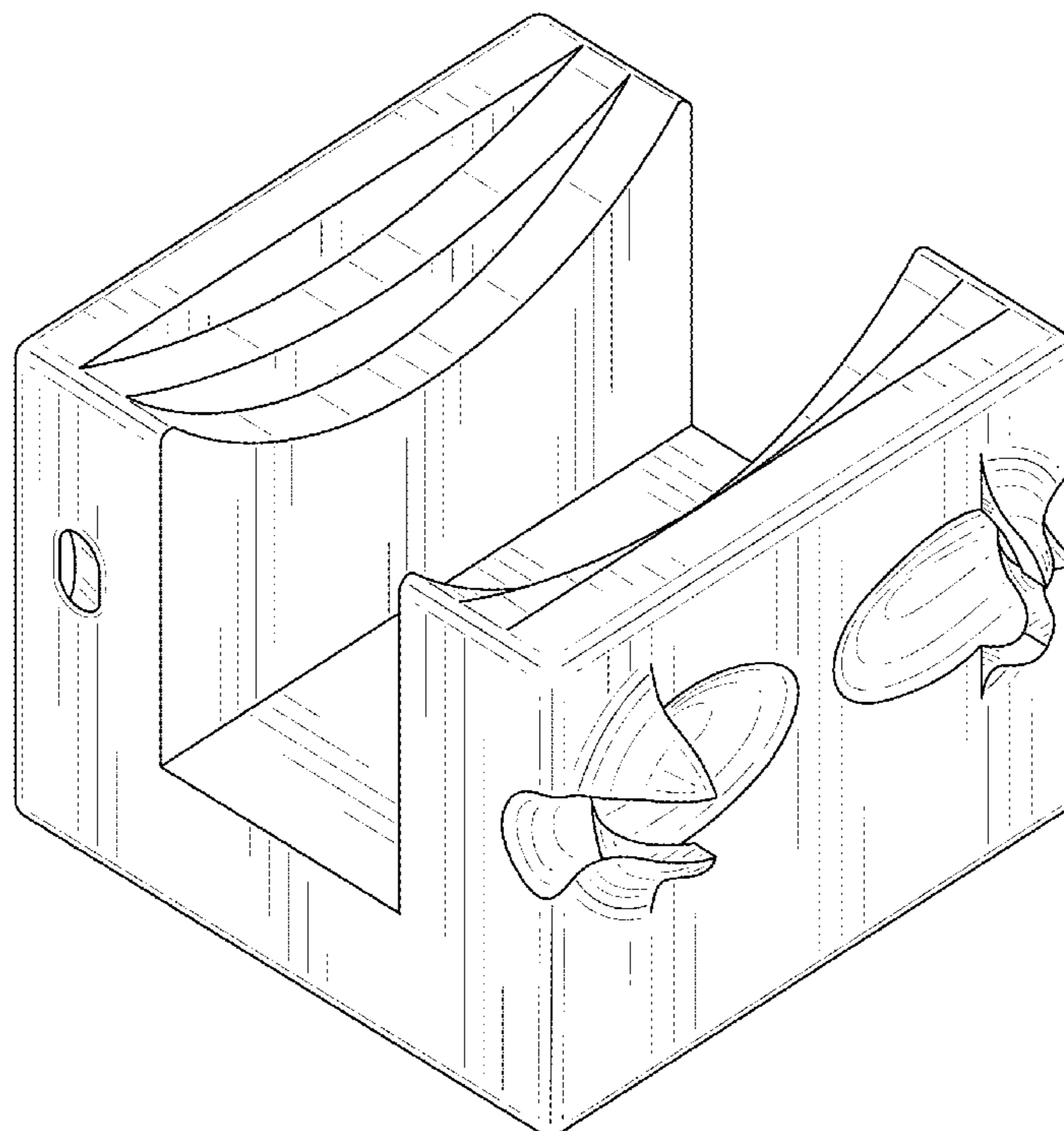
(57) **CLAIM**

The ornamental design for a fishing rod holder, as shown and described.

DESCRIPTION

FIG. 1 is a first top perspective view of a fishing rod holder; FIG. 2 is a front view thereof; FIG. 3 is a rear view thereof; FIG. 4 is a left-side view thereof; FIG. 5 is a right-side view thereof; FIG. 6 is a top view thereof; FIG. 7 is a bottom view thereof; FIG. 8 is a second top perspective view of the fishing rod holder, showing disclaimed environment in broken lines. The broken lines in FIG. 8 depict environment only and form no part of the claimed design; and, FIG. 9 is a third top perspective view of the fishing rod holder, showing disclaimed environment in broken lines. The broken lines in FIG. 9 depict environment only and form no part of the claimed design. The dashed broken lines depict portions of the fishing rod holder that form no part of the claimed design. The dot-dashed broken lines represent boundaries of the claimed fishing rod holder and form no part of the claimed design.

1 Claim, 9 Drawing Sheets



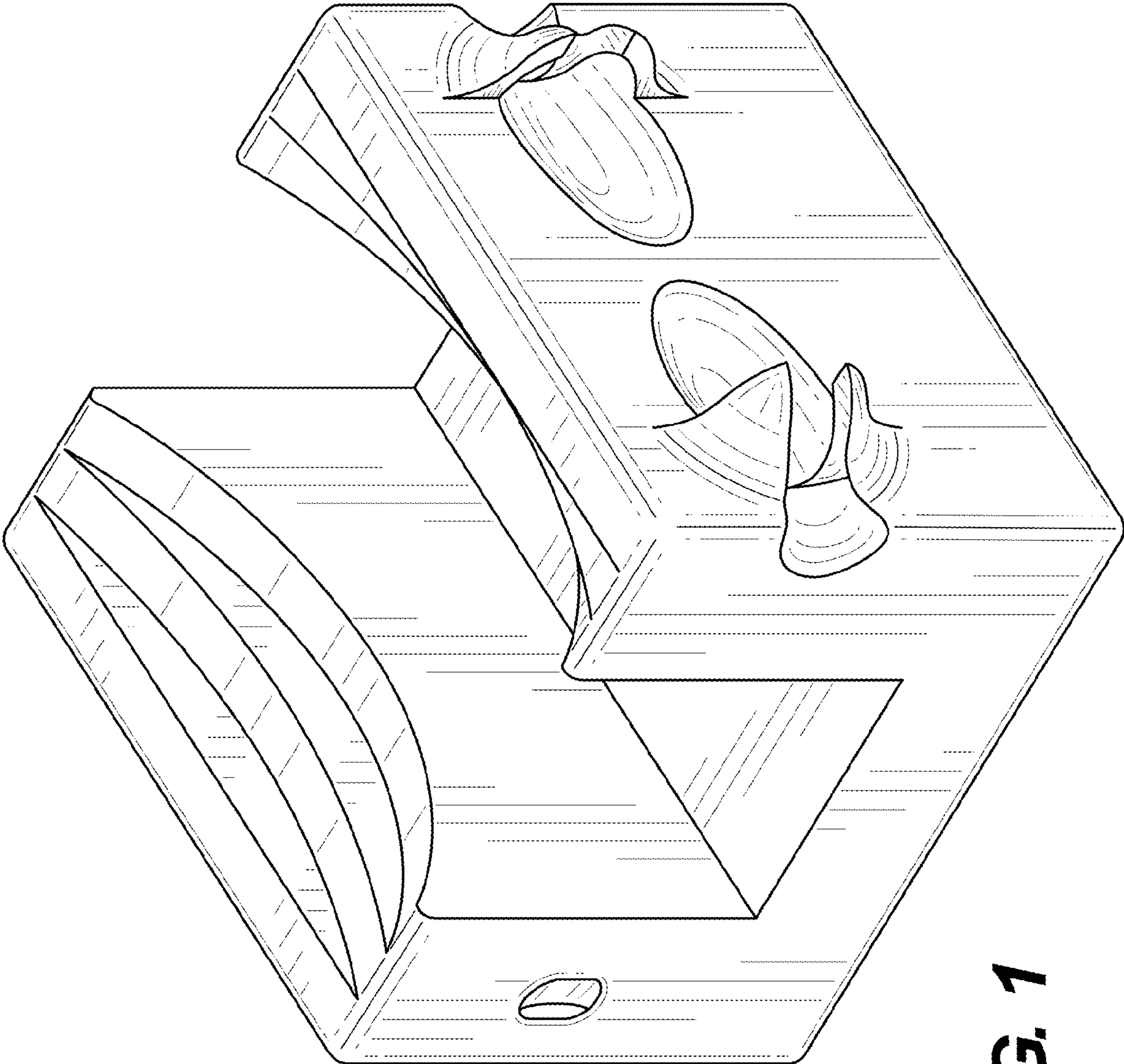


FIG. 1

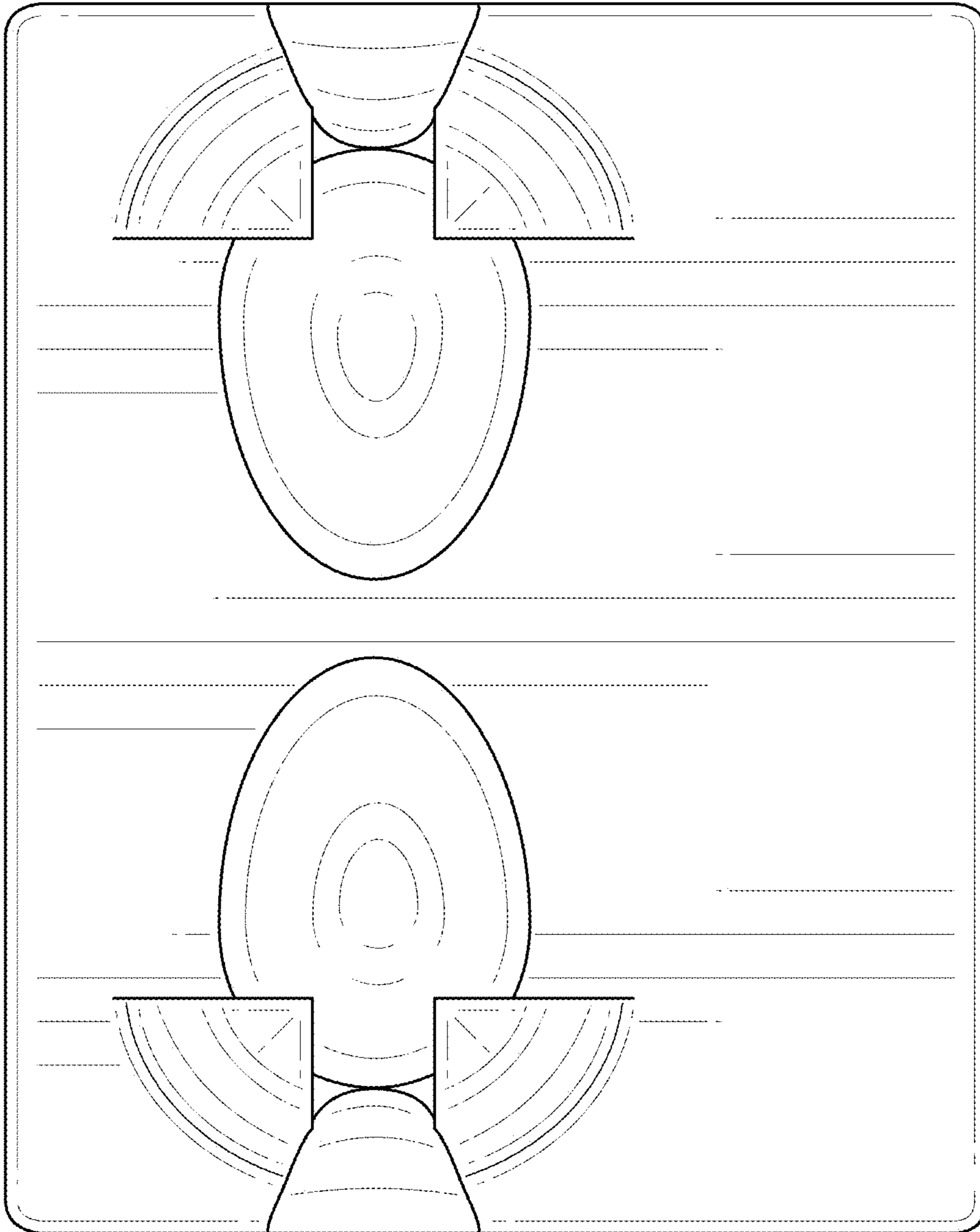


FIG. 2

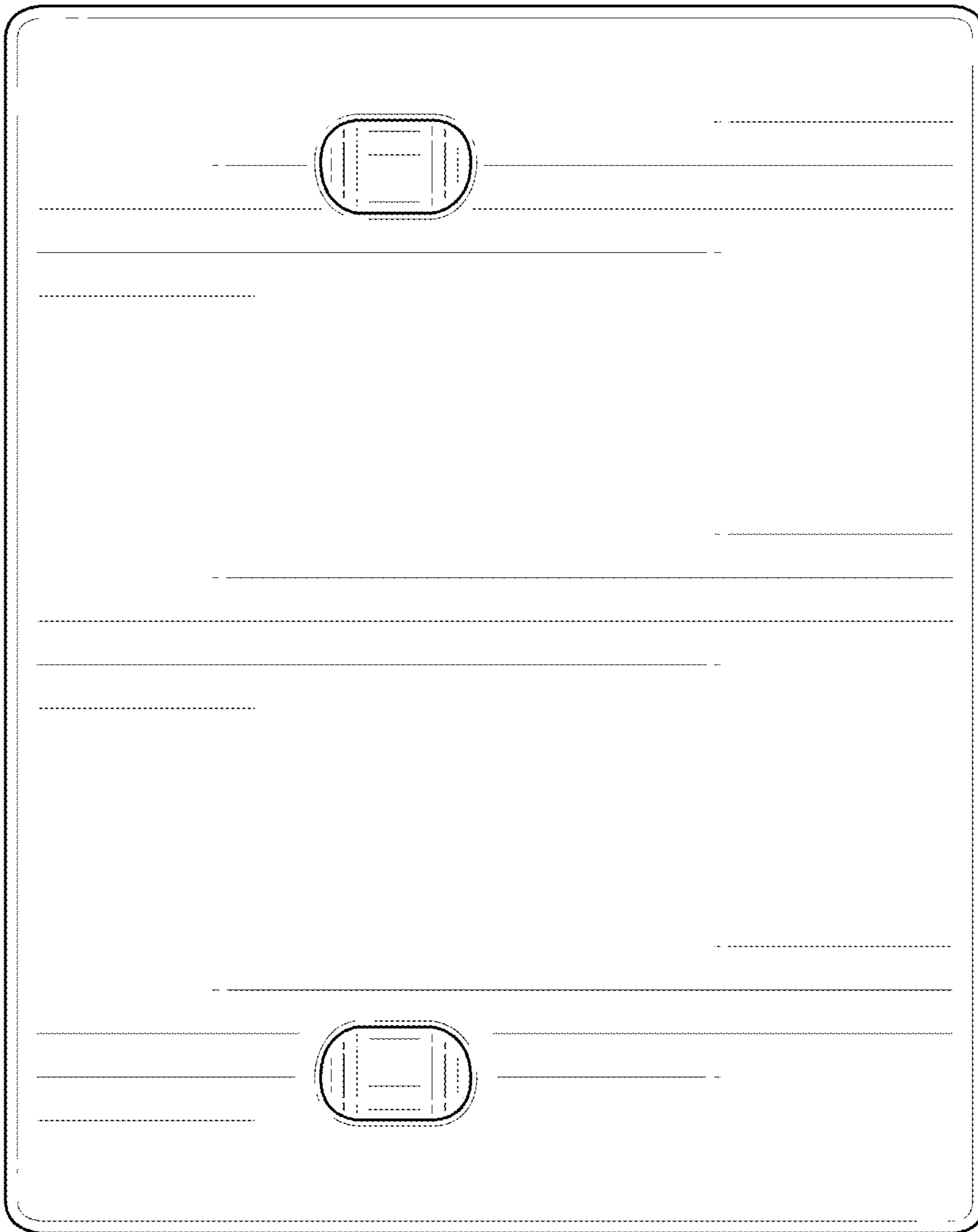


FIG. 3

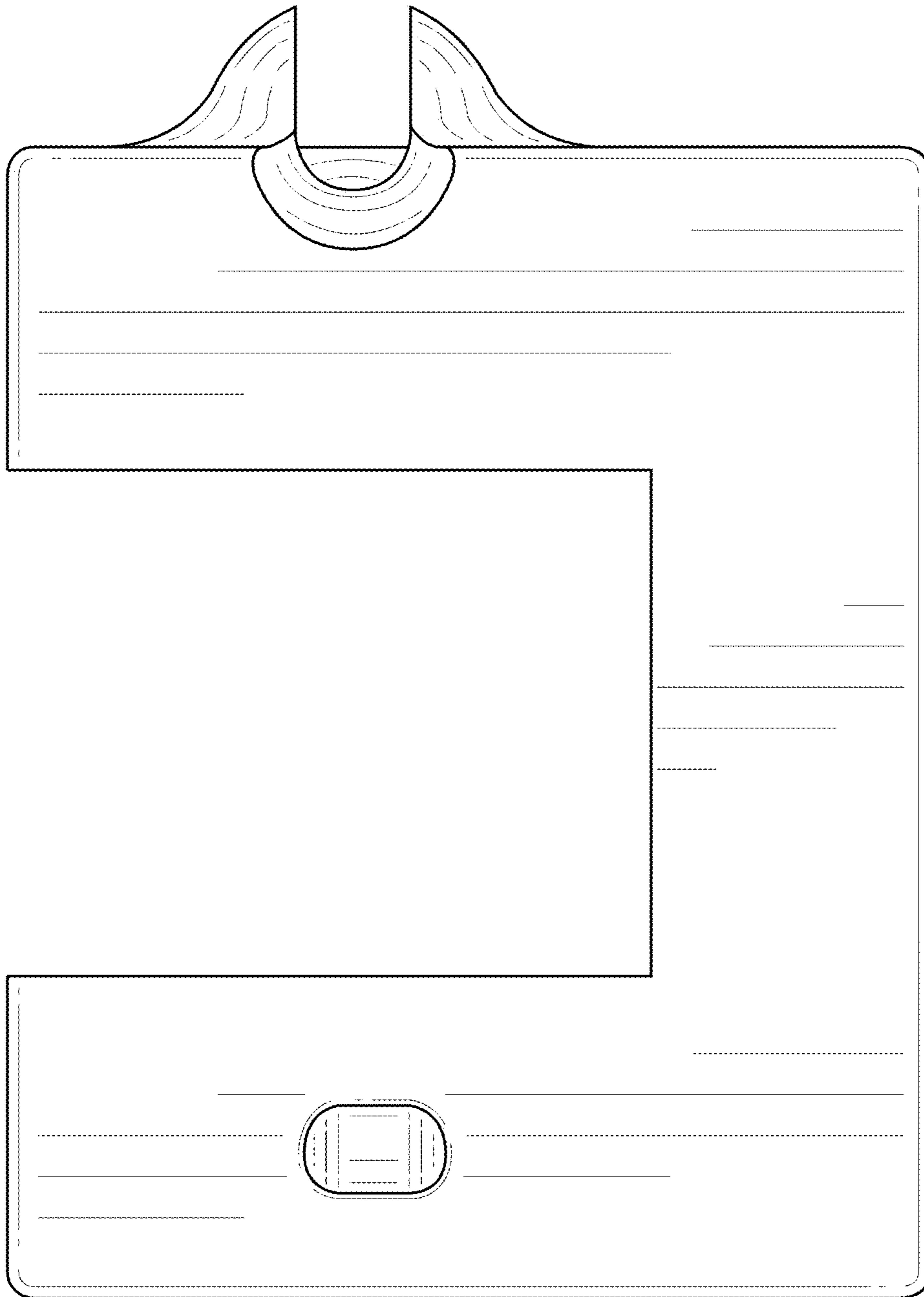


FIG. 4

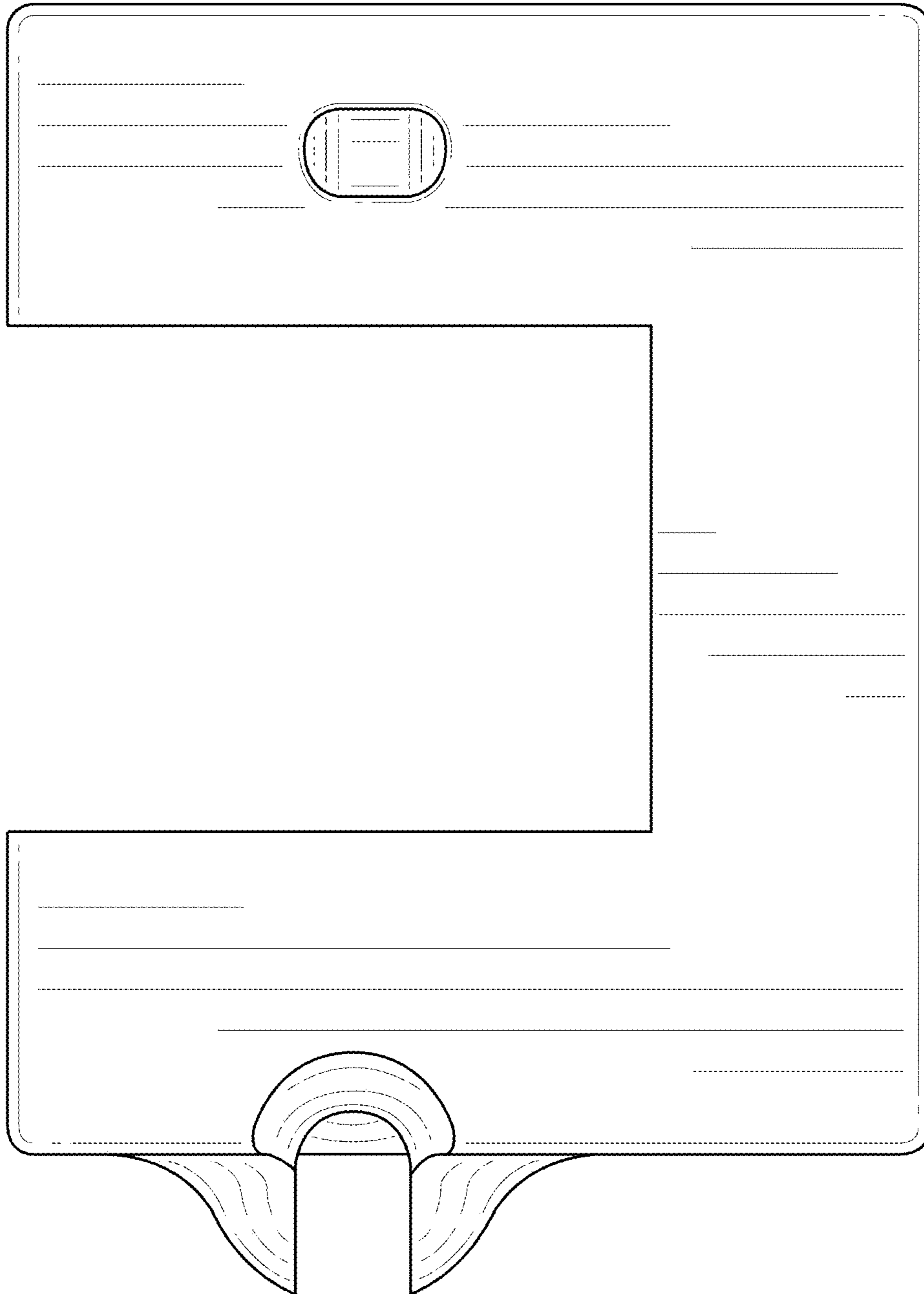


FIG. 5

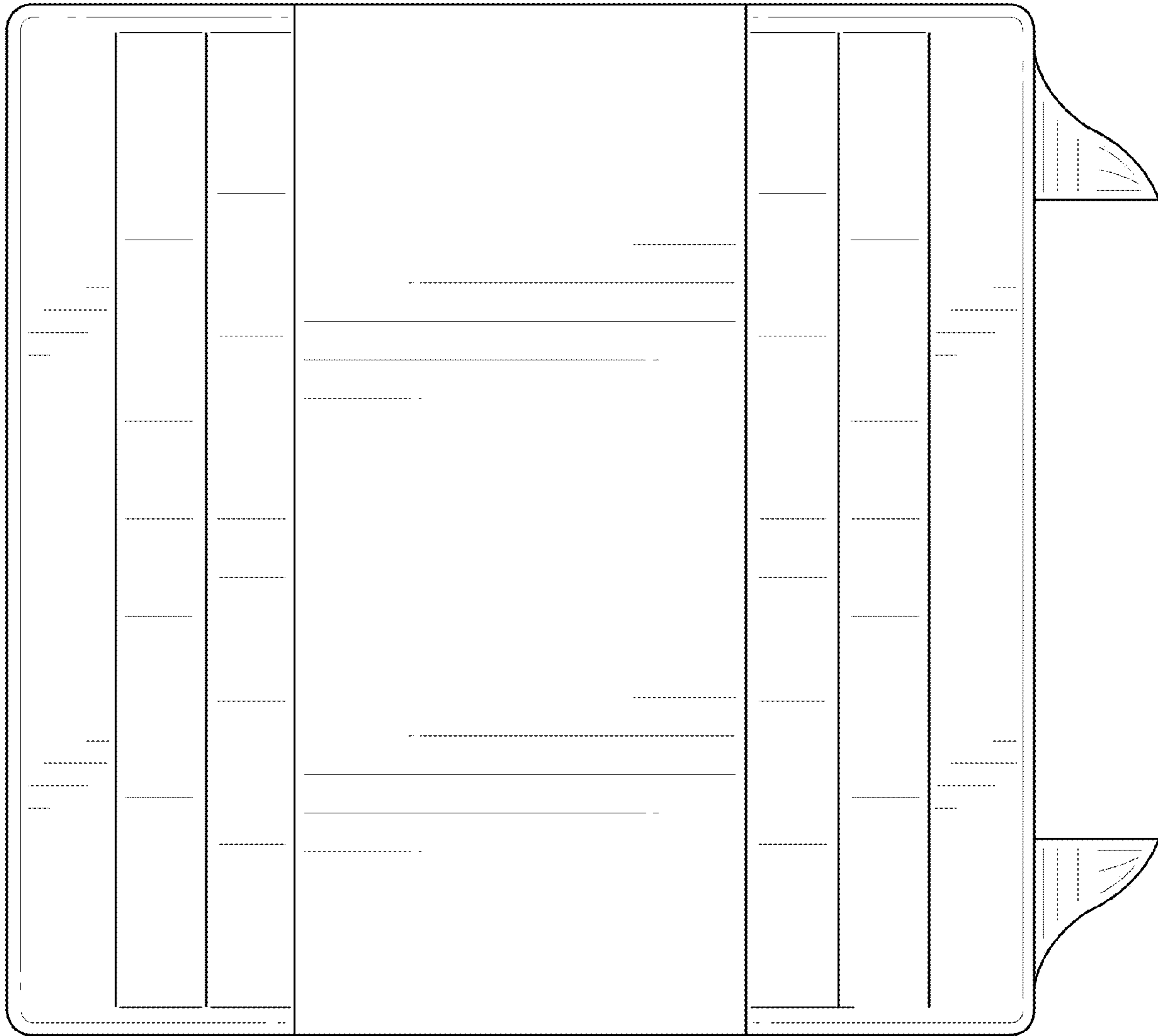


FIG. 6

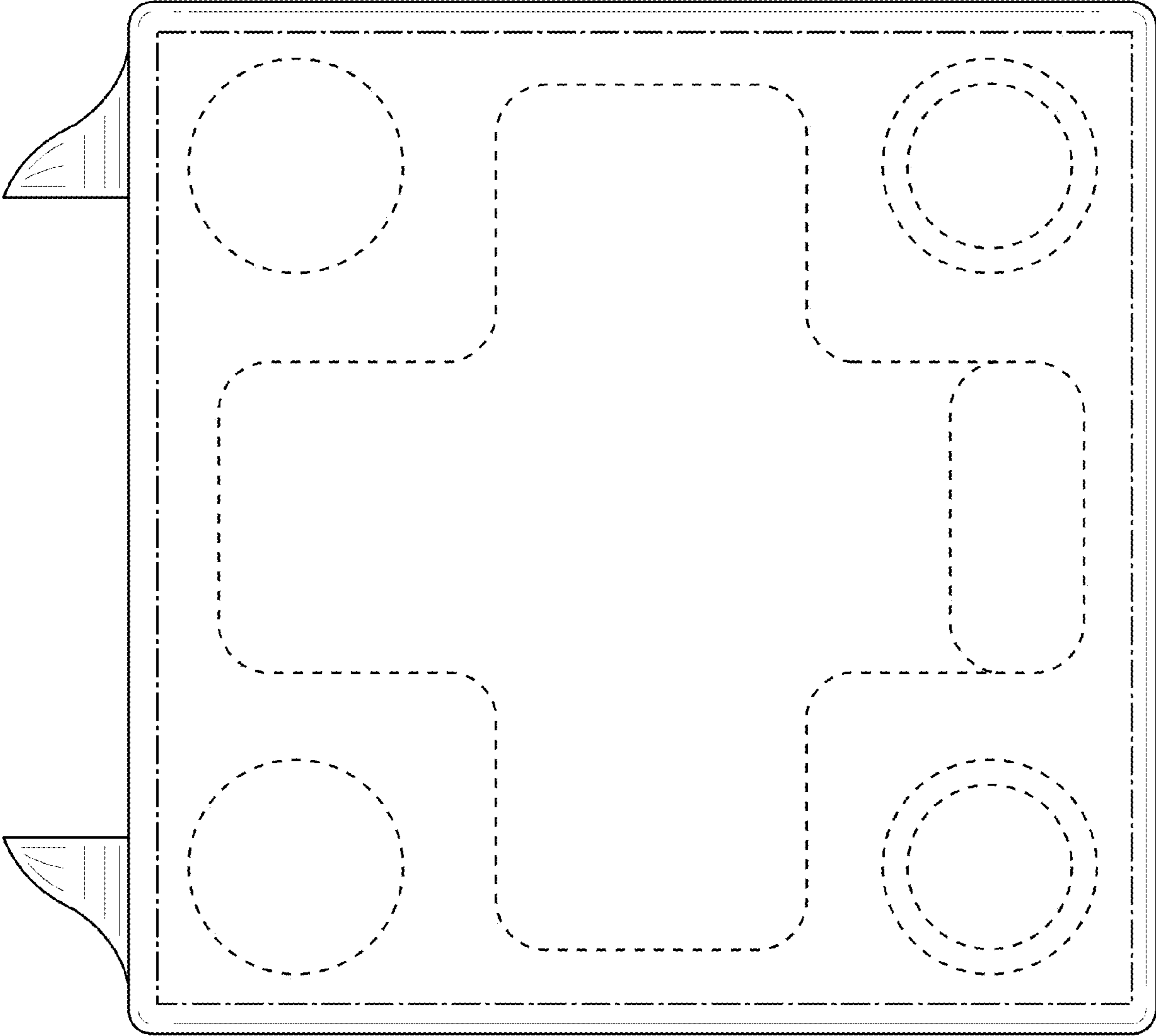


FIG. 7

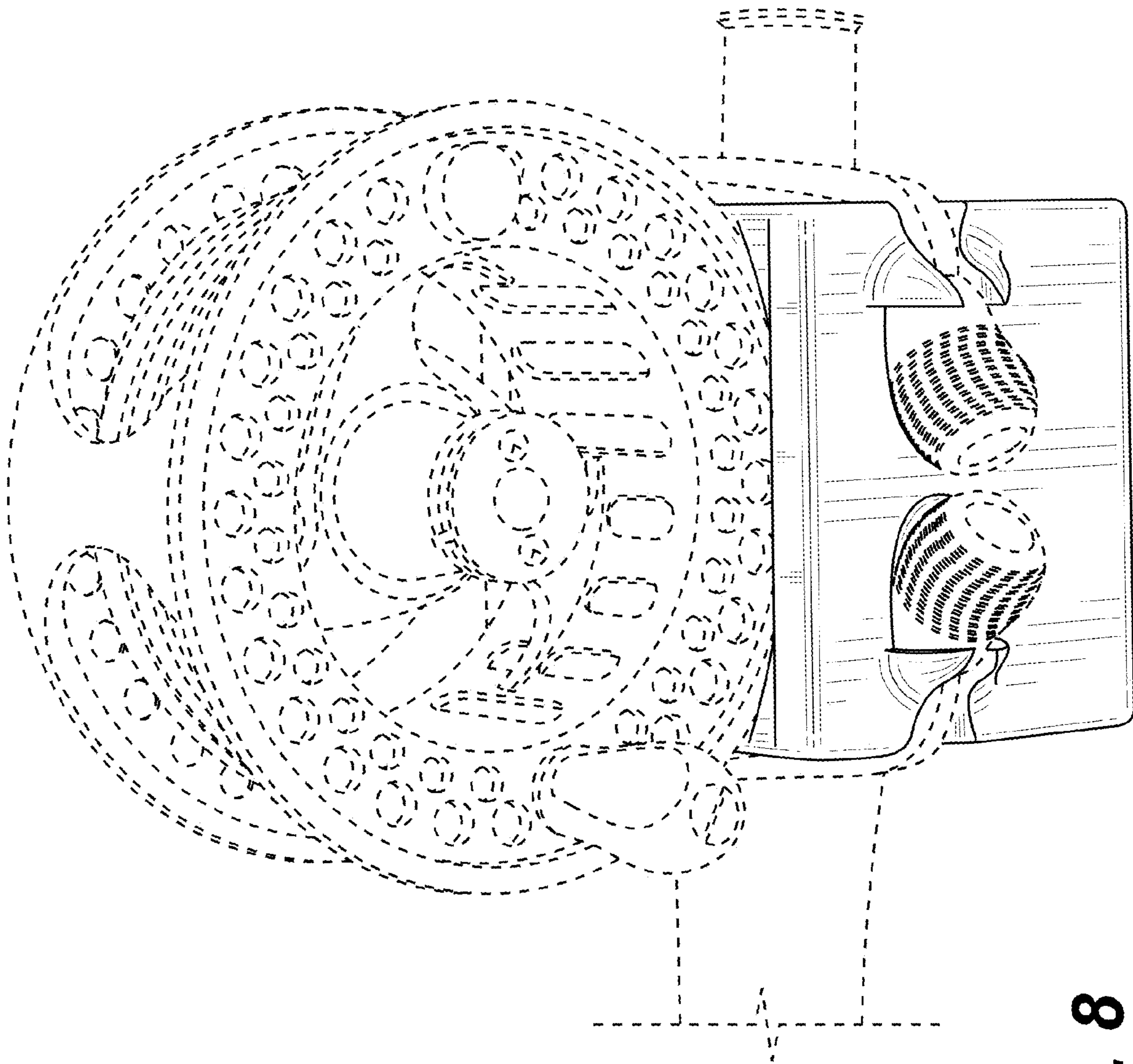


FIG. 8

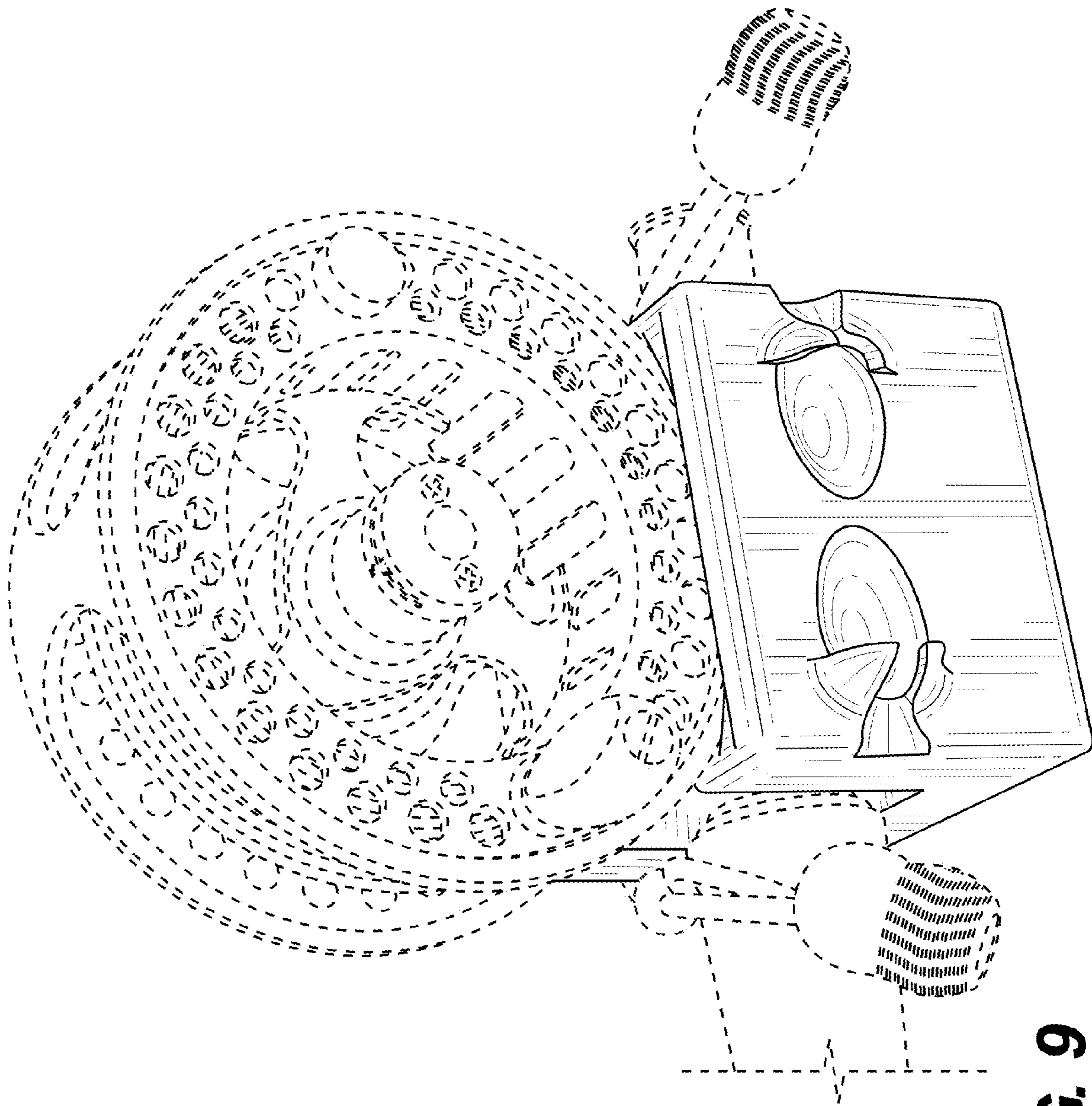


FIG. 9