



US00D910803S

(12) **United States Design Patent**  
**Barsten**

(10) **Patent No.:** **US D910,803 S**  
(45) **Date of Patent:** **\*\* Feb. 16, 2021**

(54) **FISHING ROD HOLDER**

(71) Applicant: **Selkirk Design, LLC**, Greenacres, WA (US)  
(72) Inventor: **Jerrald Barsten**, Greenacres, WA (US)  
(73) Assignee: **Selkirk Design, LLC**, Greenacres, WA (US)  
(\*\*) Term: **15 Years**

(21) Appl. No.: **29/715,818**  
(22) Filed: **Dec. 4, 2019**  
(51) **LOC (13) Cl.** ..... **22-05**  
(52) **U.S. Cl.**  
USPC ..... **D22/147**  
(58) **Field of Classification Search**  
USPC ..... D22/147; D6/552-553, 567; 211/3.1, 211/70.8, 60.1; 248/512, 520, 538; 43/21.2, 23, 25  
CPC ..... A01K 87/08; A01K 97/10; A47B 81/005  
See application file for complete search history.

(56) **References Cited**

**U.S. PATENT DOCUMENTS**

4,017,998 A \* 4/1977 Dumler ..... A01K 97/10 43/21.2  
D749,872 S \* 2/2016 Gonzalez ..... D6/552  
2013/0055621 A1 \* 3/2013 Fong ..... A01K 97/10 43/21.2

**OTHER PUBLICATIONS**

Stealth QR-2 Large Rod Holder With Multi Mount Base—<https://www.cabelas.com/shop/en/stealth-qr-2-large-rod-holder-with-multi-mount-base> (Year: 2020).\*

\* cited by examiner

*Primary Examiner* — Catherine R Oliver-Garcia  
(74) *Attorney, Agent, or Firm* — Lee & Hayes, P.C.

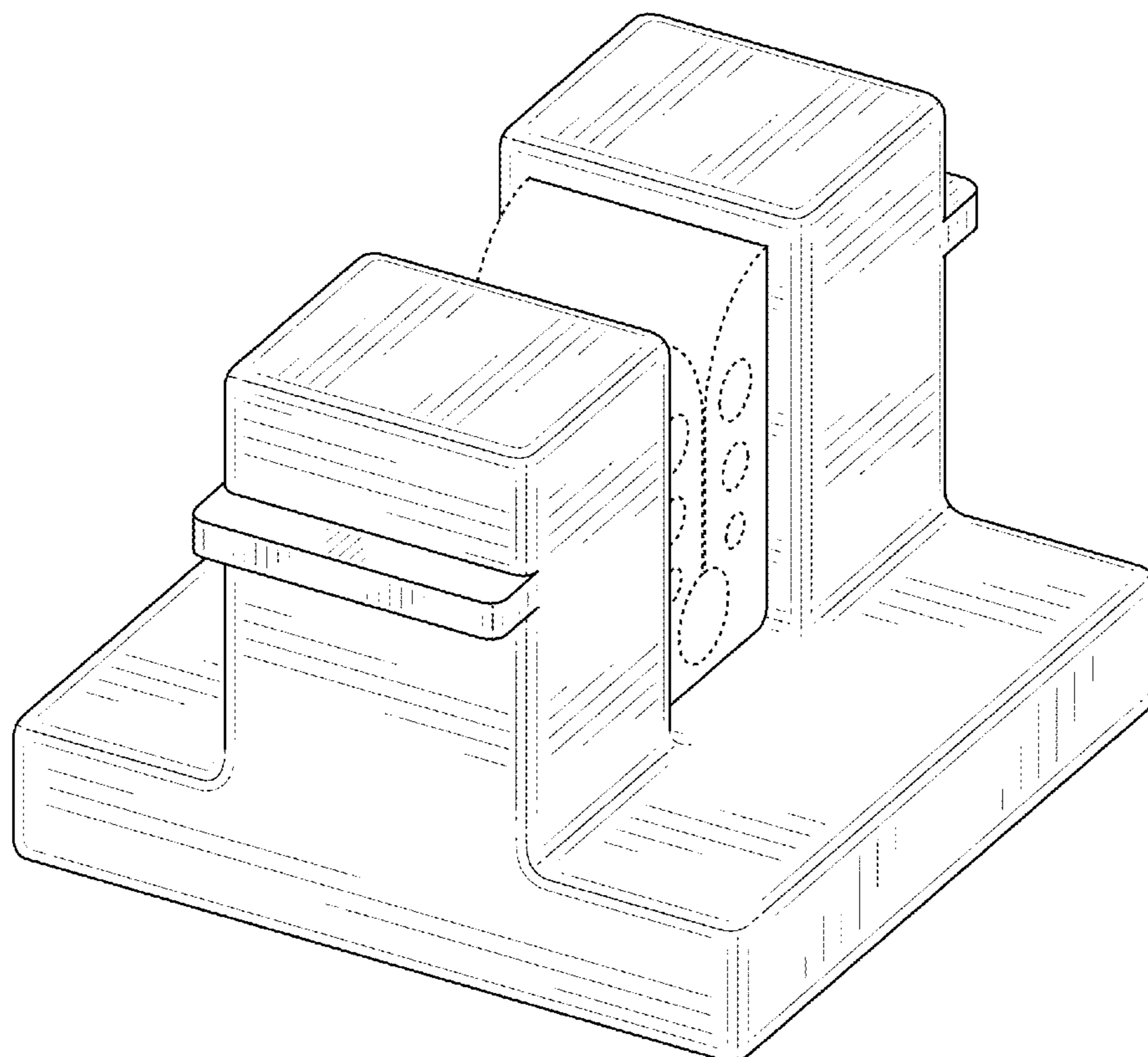
(57) **CLAIM**

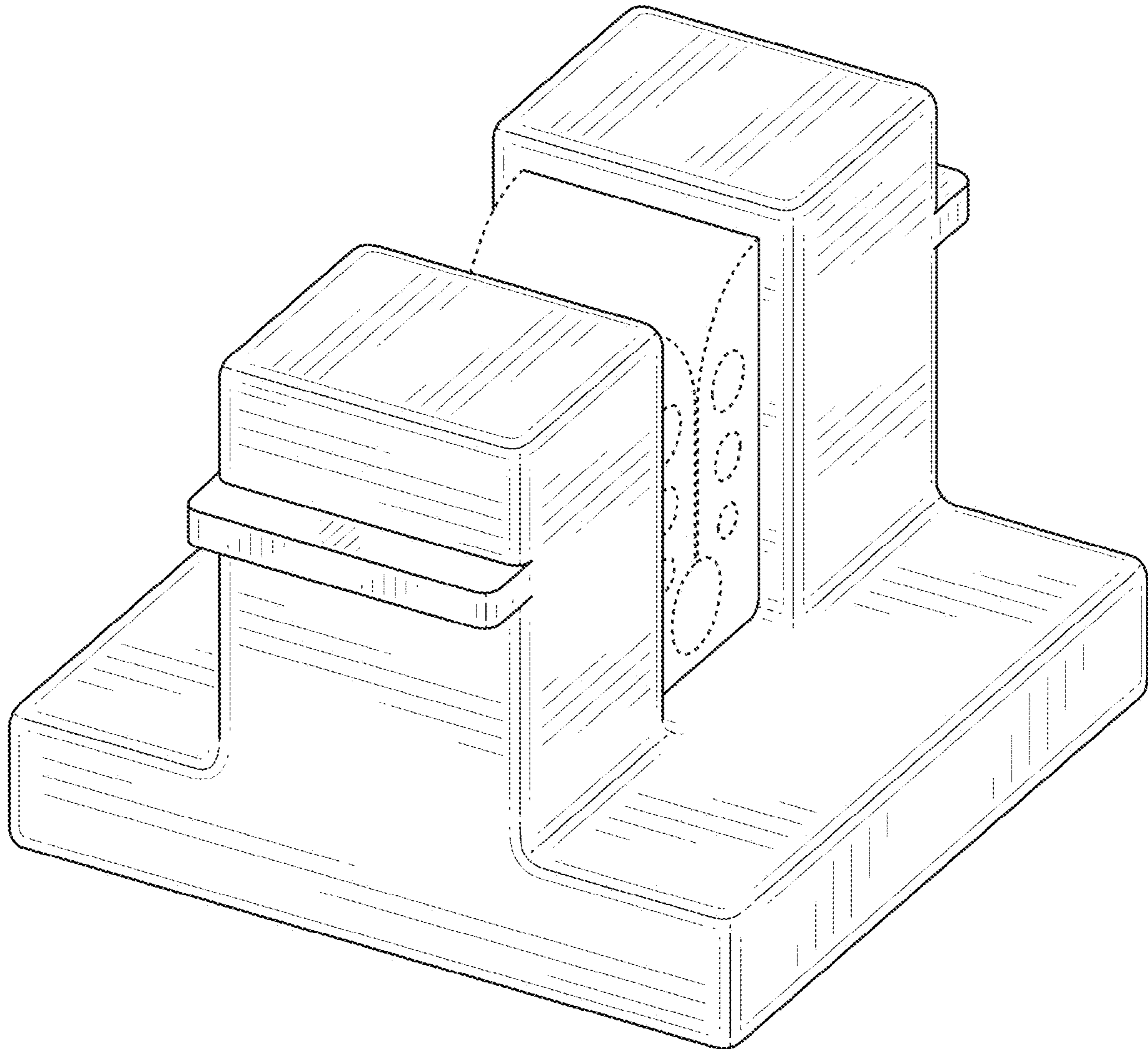
The ornamental design for a fishing rod holder, as shown and described.

**DESCRIPTION**

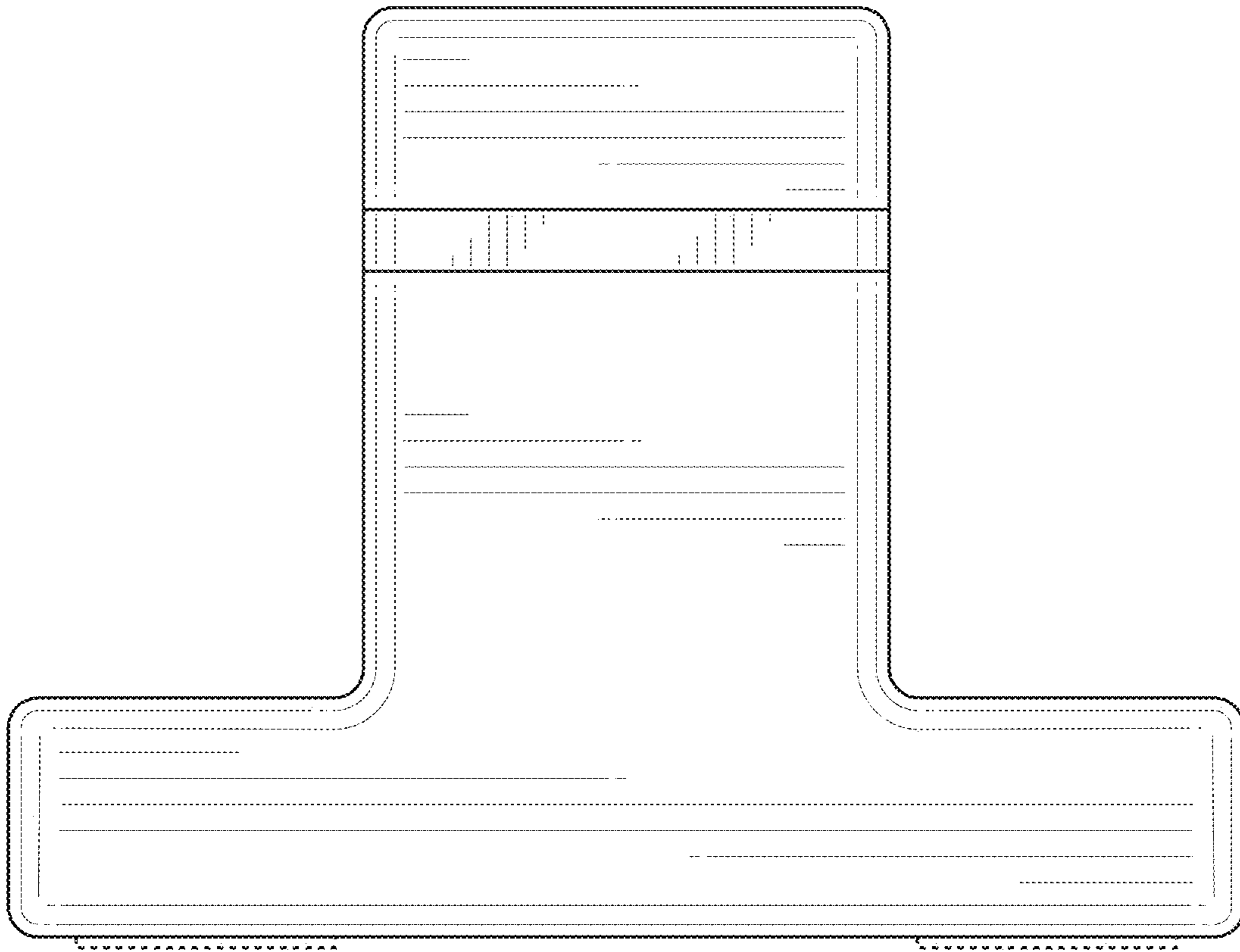
FIG. 1 is a top perspective view of a fishing rod holder; FIG. 2 is a left-side view thereof; FIG. 3 is a right-side view thereof; FIG. 4 is a front view thereof; FIG. 5 is a rear view thereof; FIG. 6 is a top view thereof; and, FIG. 7 is a bottom view thereof. The dashed broken lines depict portions of the fishing rod holder that form no part of the claimed design. The dot-dashed broken lines represent boundaries of the claimed fishing rod holder and form no part of the claimed design.

**1 Claim, 7 Drawing Sheets**

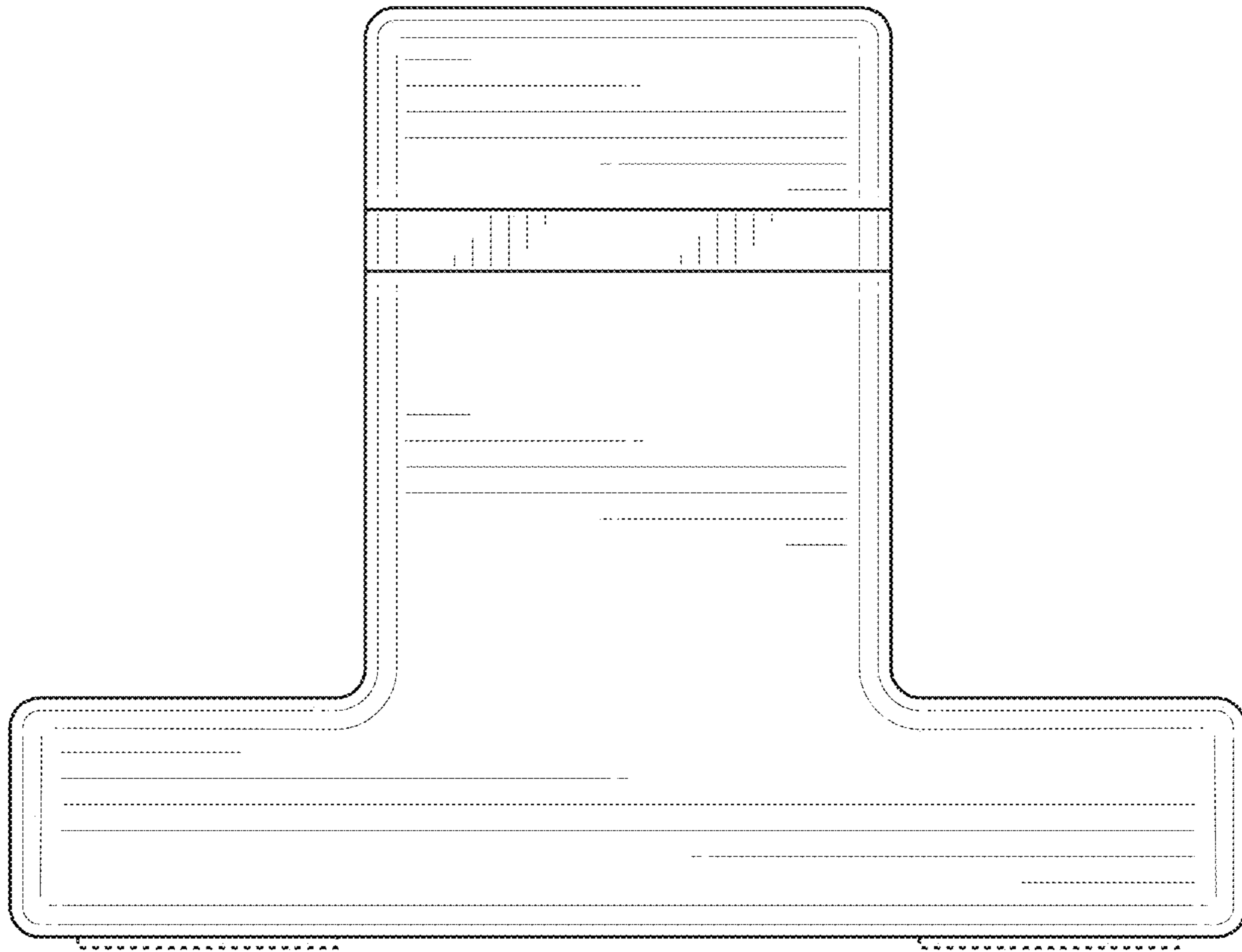




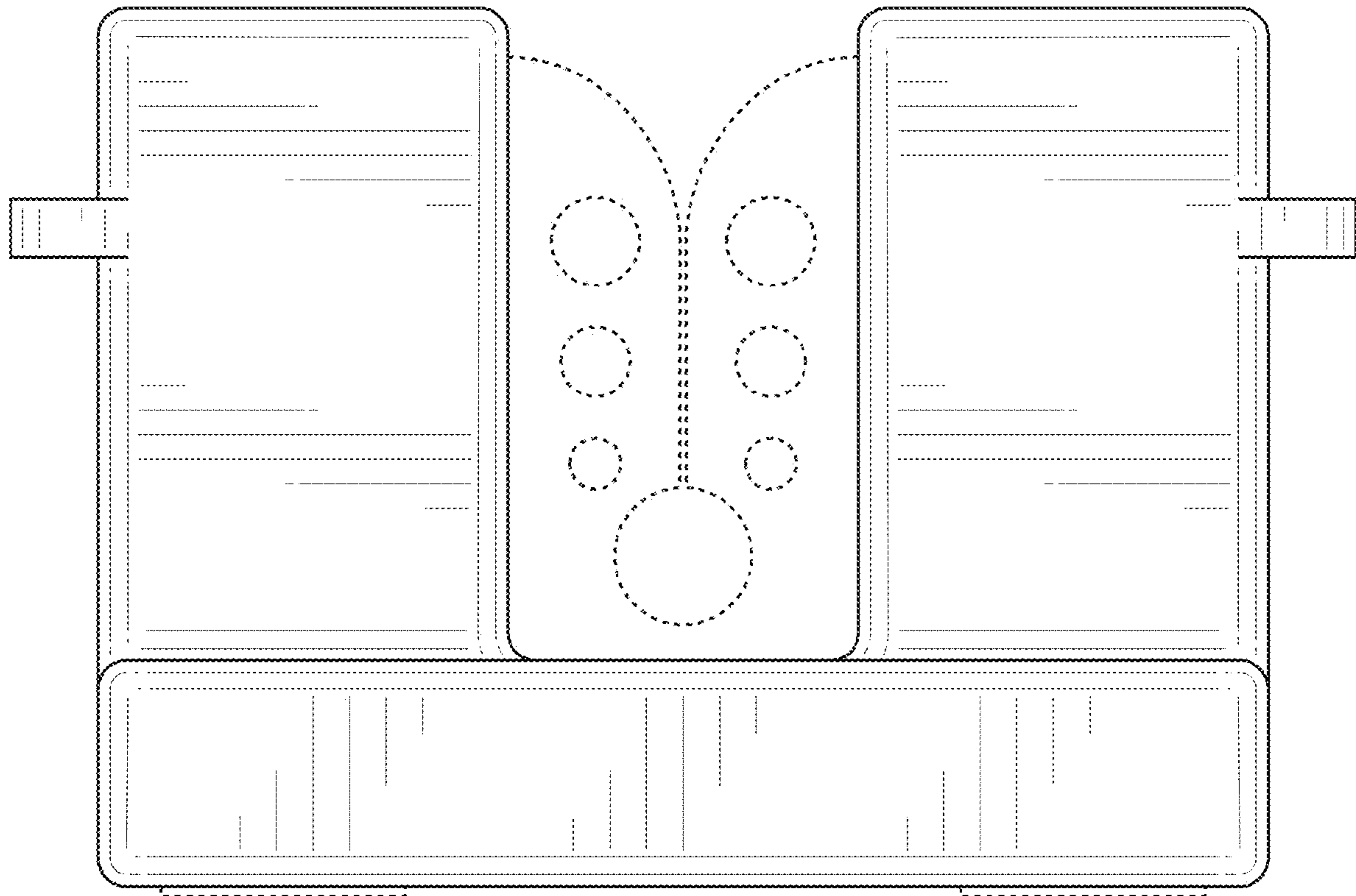
**FIG. 1**



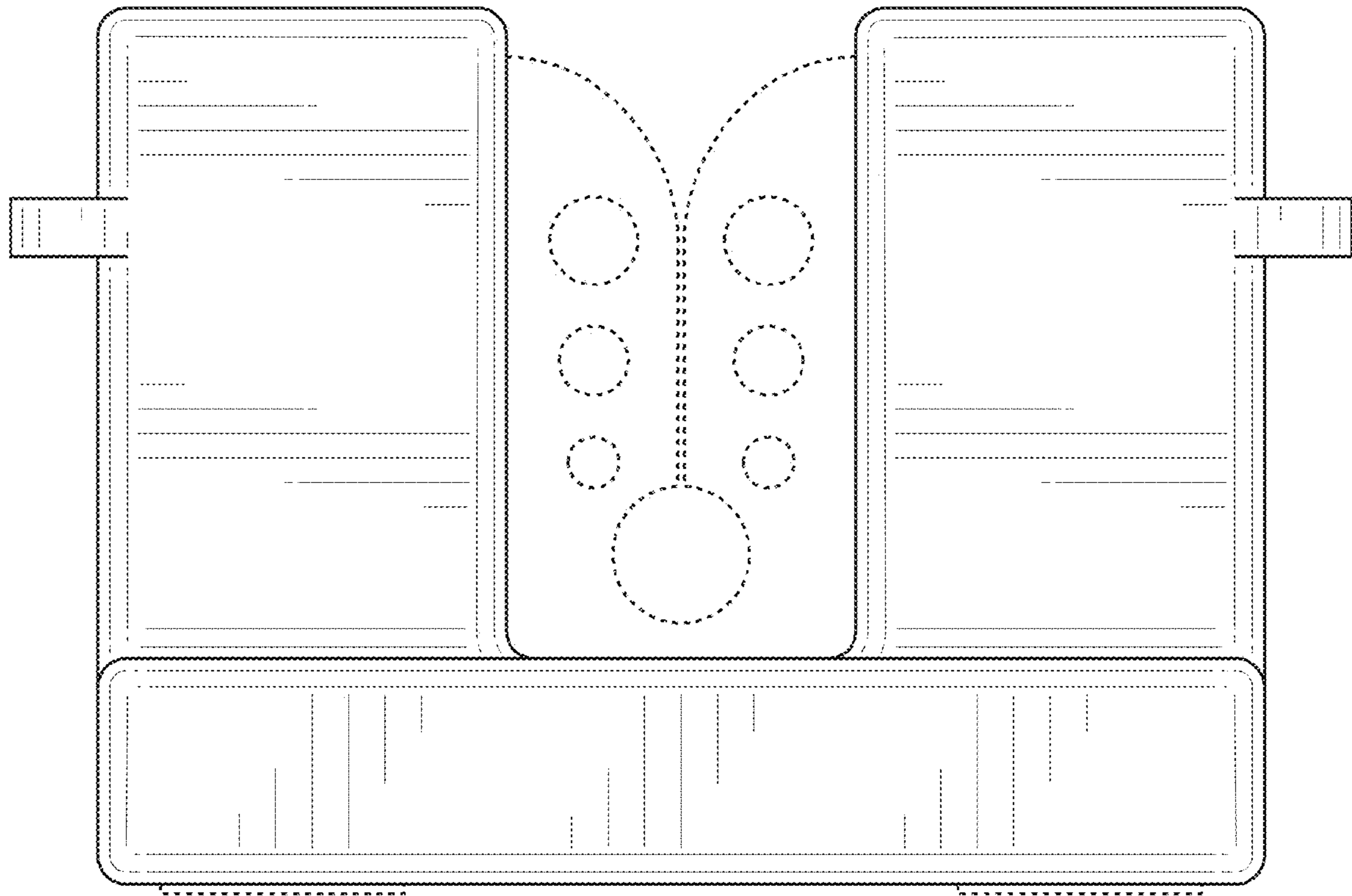
**FIG. 2**



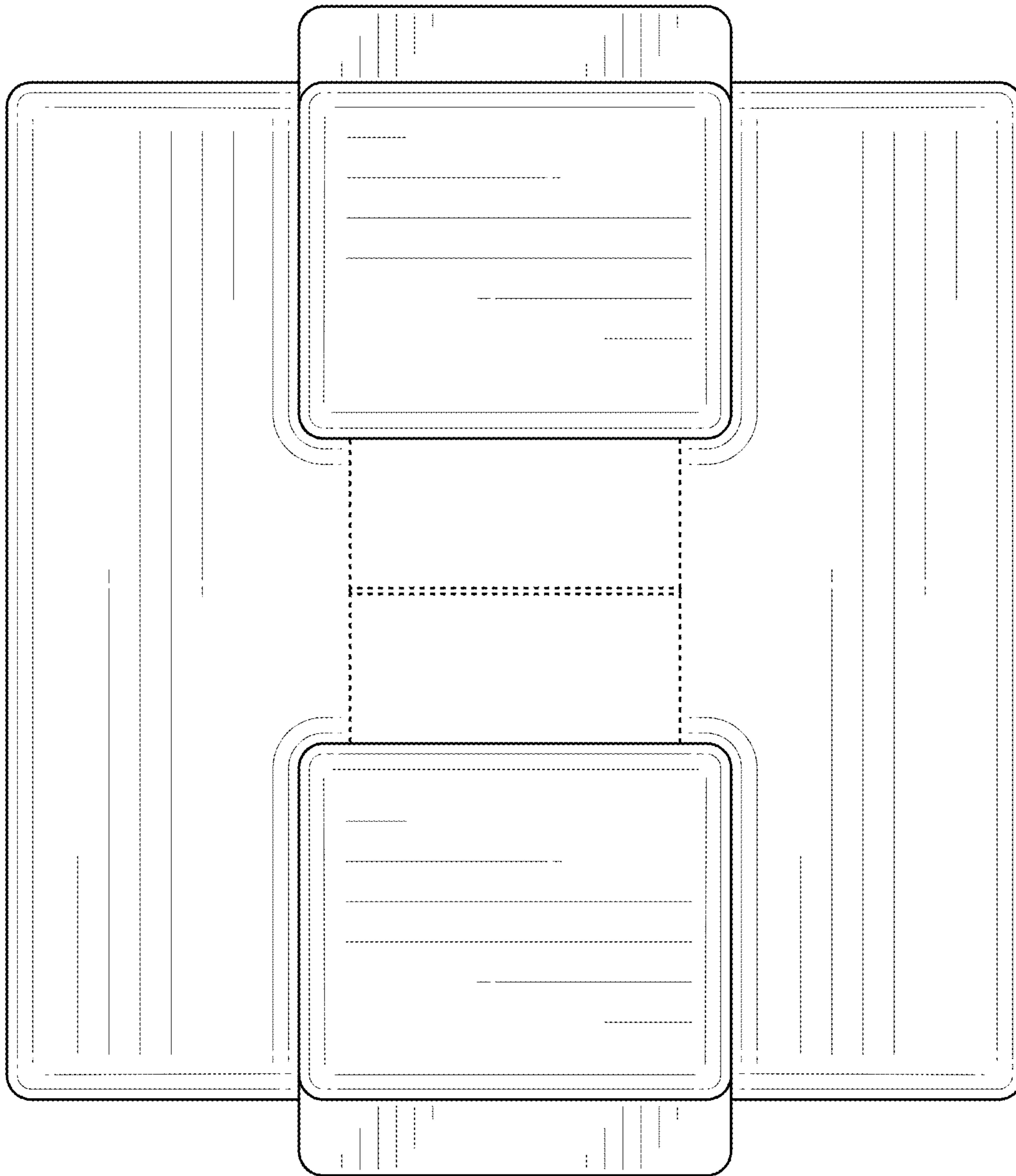
**FIG. 3**



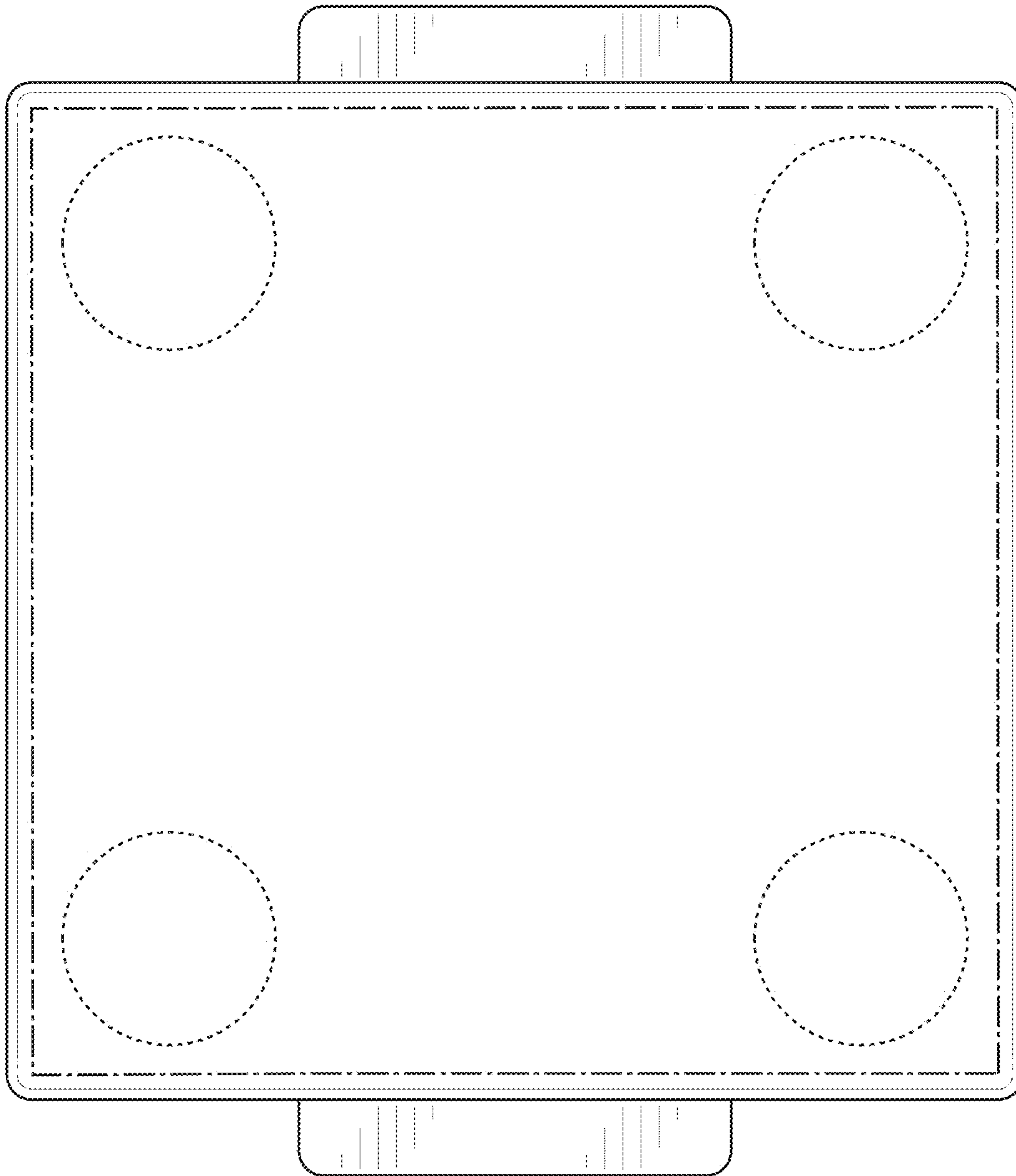
**FIG. 4**



**FIG. 5**



**FIG. 6**



**FIG. 7**