



US00D910802S

(12) **United States Design Patent** (10) **Patent No.:** **US D910,802 S**
Johnson (45) **Date of Patent:** **** Feb. 16, 2021**

(54) **FISHING JIG** 10,219,496 B2 3/2019 Gierlich
D851,724 S 6/2019 Gierlich
(71) Applicant: **Kevrette Johnson**, Carson, CA (US) 2009/0113783 A1* 5/2009 Hollomon A01K 85/00
43/42.31
(72) Inventor: **Kevrette Johnson**, Carson, CA (US) 2011/0296736 A1* 12/2011 Sundstrom A01K 85/01
43/42.06

(**) Term: **15 Years**

(21) Appl. No.: **29/710,416**

(22) Filed: **Oct. 23, 2019**

(51) **LOC (13) Cl.** **22-05**

(52) **U.S. Cl.**
USPC **D22/144**

(58) **Field of Classification Search**
USPC D22/144, 126-133; 43/42.06, 42.05,
43/42.09, 42.24, 42.25, 42.26, 42.28,
43/42.3, 42.39, 42.45, 42.33
CPC A01K 85/00; A01K 85/01; A01K 85/14;
A01K 85/16

See application file for complete search history.

(56) **References Cited**

U.S. PATENT DOCUMENTS

2,415,742 A * 2/1947 Hiltabidel A01K 85/16
43/42.06
D255,703 S * 7/1980 Kent D22/128
D302,290 S * 7/1989 Polston D22/128
D375,539 S * 11/1996 Chu D22/144
D537,144 S * 2/2007 Harrell D22/144
D544,068 S * 6/2007 Becker D22/144
7,383,659 B1 * 6/2008 Honkanen A01K 85/01
43/26.2
D703,287 S * 4/2014 Hendershot D22/128
D770,591 S * 11/2016 Szoke, Jr. D22/126
D822,147 S 7/2018 Gierlich

OTHER PUBLICATIONS

Thkfish Squid Lures for Bass Fishing Saltwater Freshwater Squid
Bait Glow in The Dark Soft Squid Lures for Bass Salmon 1/6oz 15
pcs. Amazon.com (Year: 2017).*

* cited by examiner

Primary Examiner — Catherine R Oliver-Garcia

(74) *Attorney, Agent, or Firm* — Risso I.P.

(57) **CLAIM**

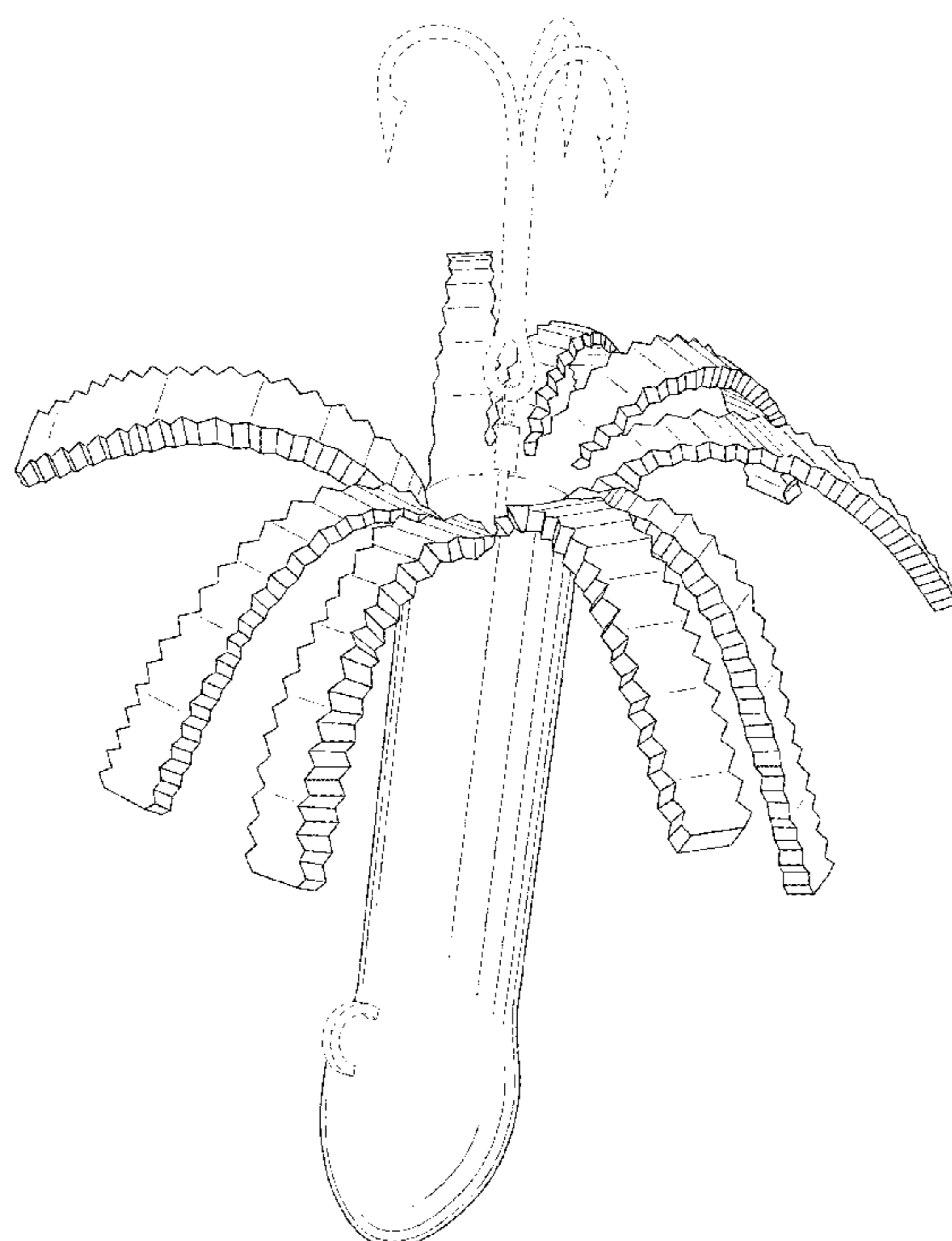
The ornamental design for a fishing jig, as shown and
described.

DESCRIPTION

FIG. 1 is a left and rear perspective view of a fishing jig;
FIG. 2 is a bottom plan view thereof;
FIG. 3 is a top plan view thereof;
FIG. 4 is a right side view thereof;
FIG. 5 is a left side view thereof;
FIG. 6 is a front elevation view thereof;
FIG. 7 is a rear elevation view thereof; and,
FIG. 8 is a top, left, isometric view of the fishing jig,
depicting a tail section of the fishing jig as splayed out to
expose a hook therein.

The broken lines shown in the drawings represent unclaimed
portions of the design and form no part thereof.

1 Claim, 5 Drawing Sheets



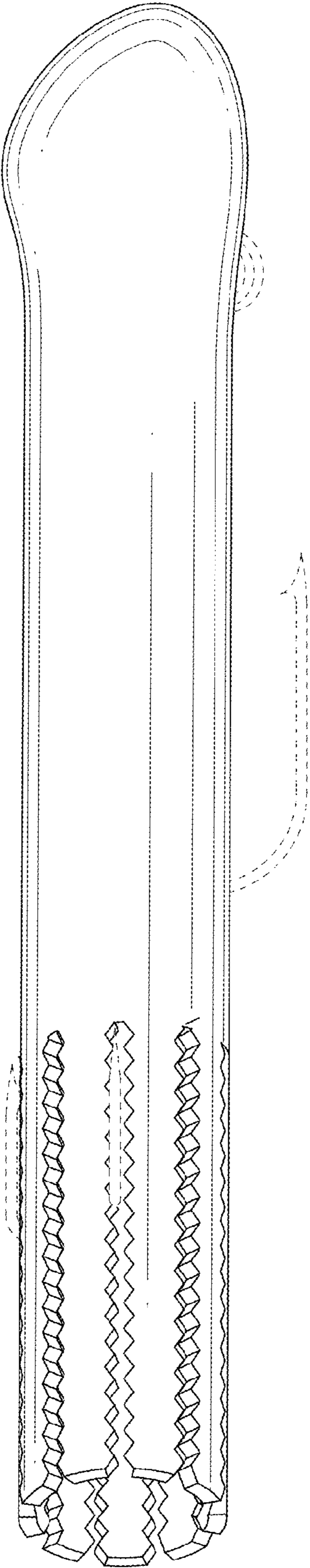


FIG. 1

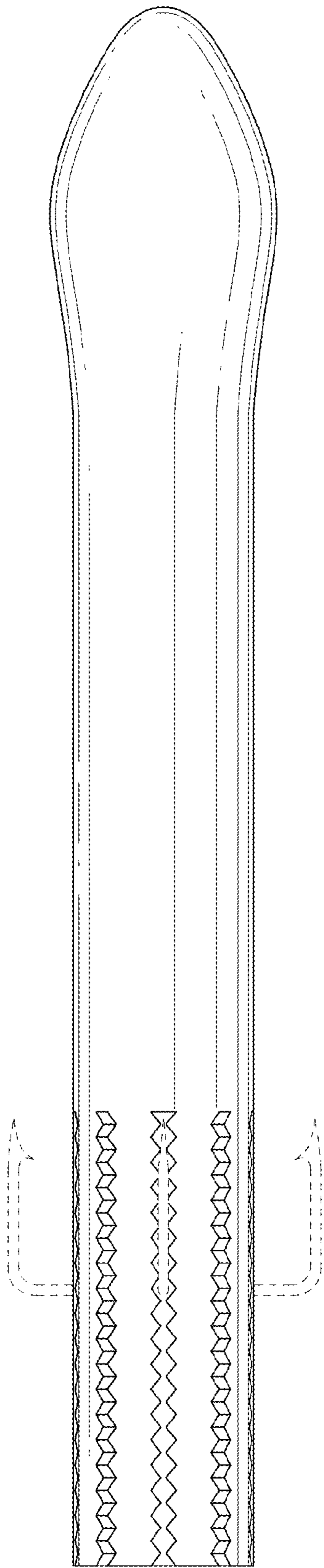


FIG. 2

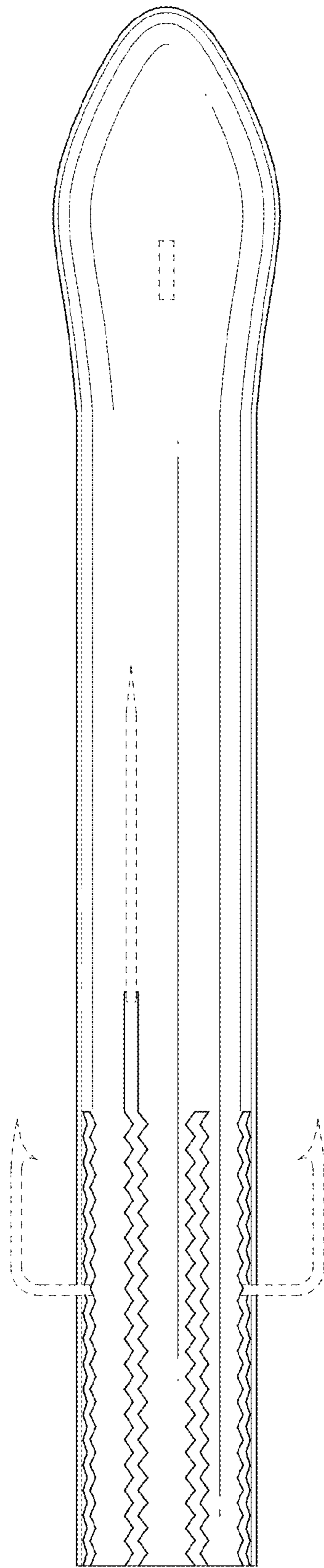


FIG. 3

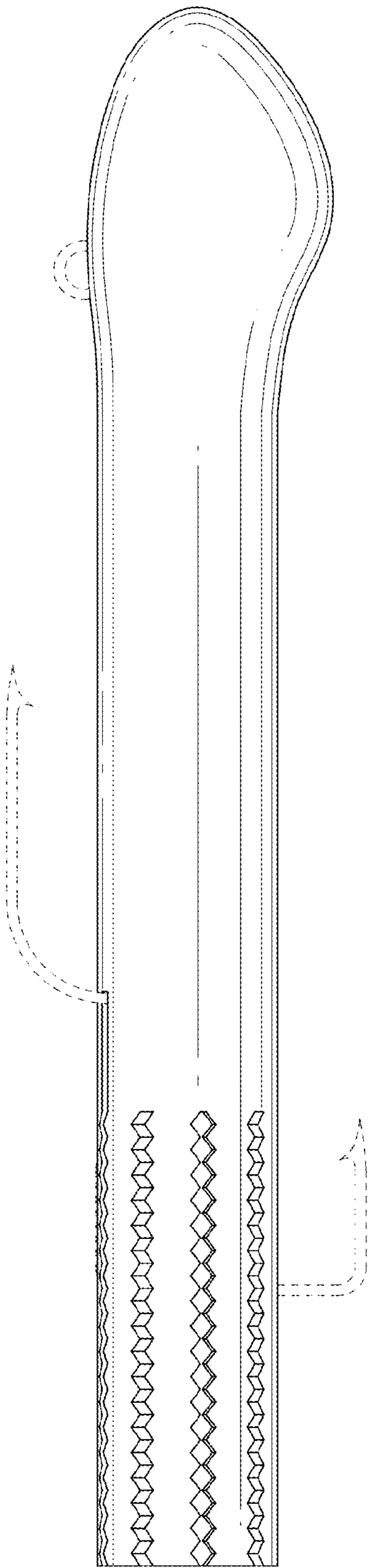


FIG. 4

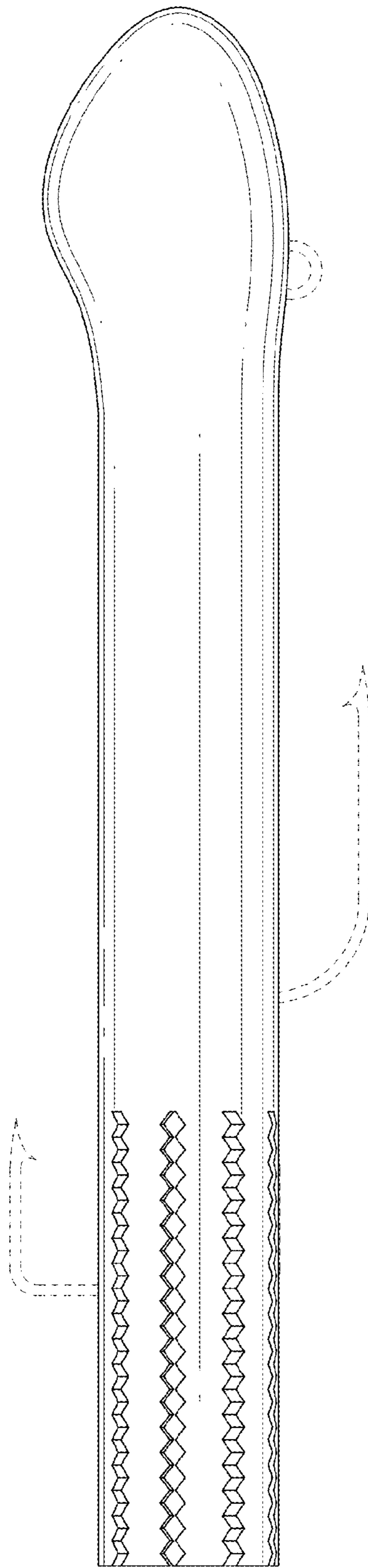


FIG. 5

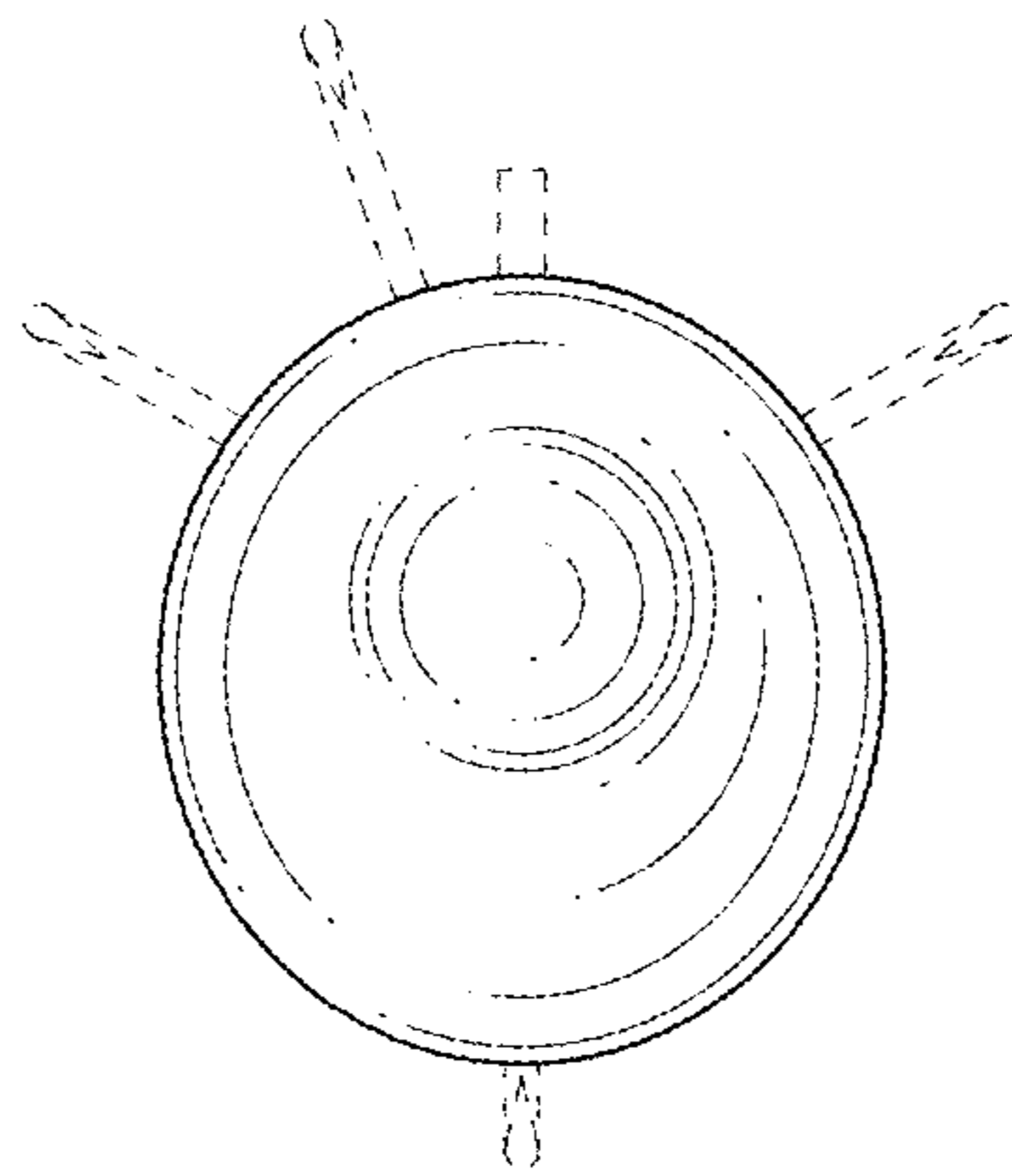


FIG. 6

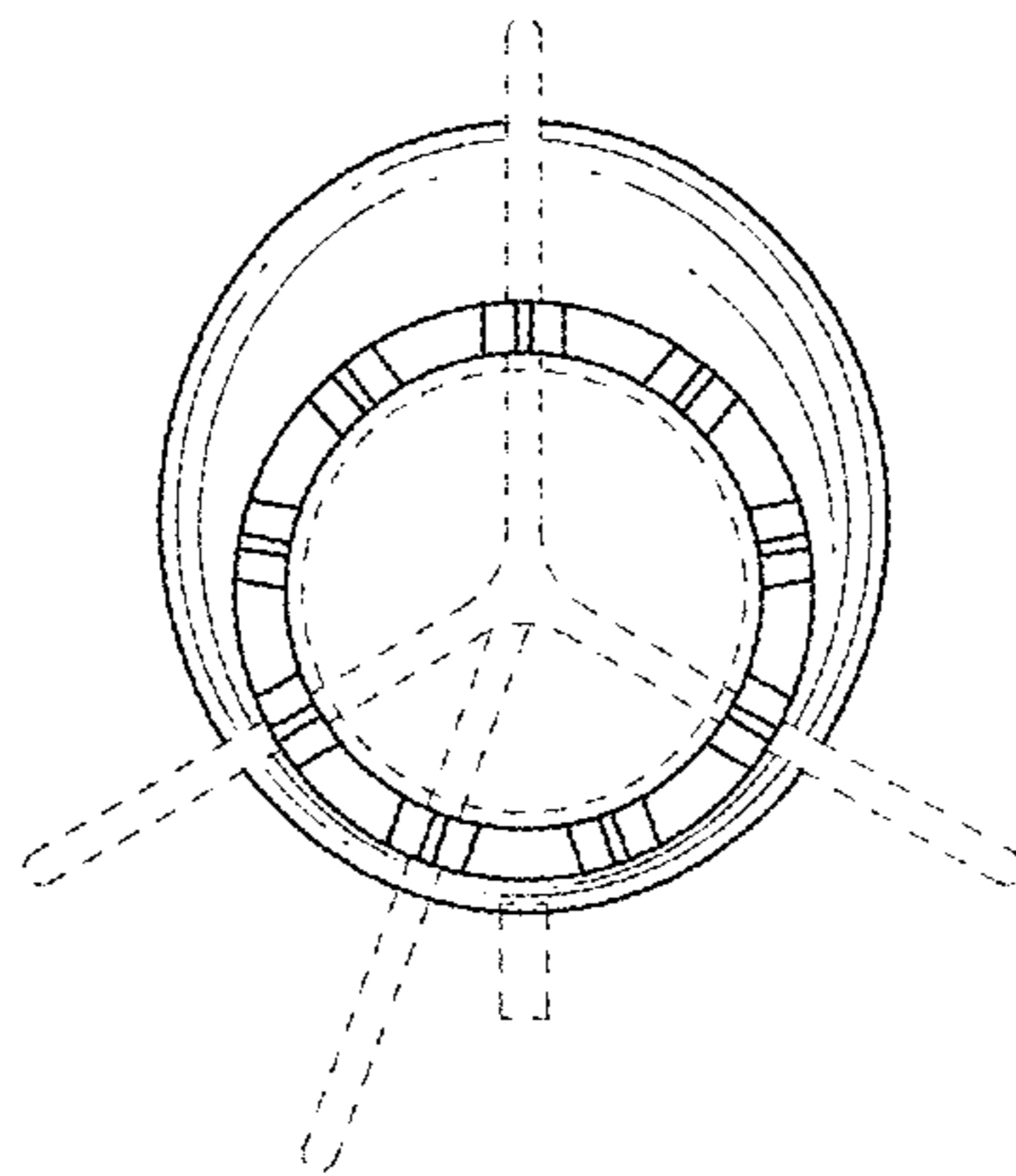


FIG. 7

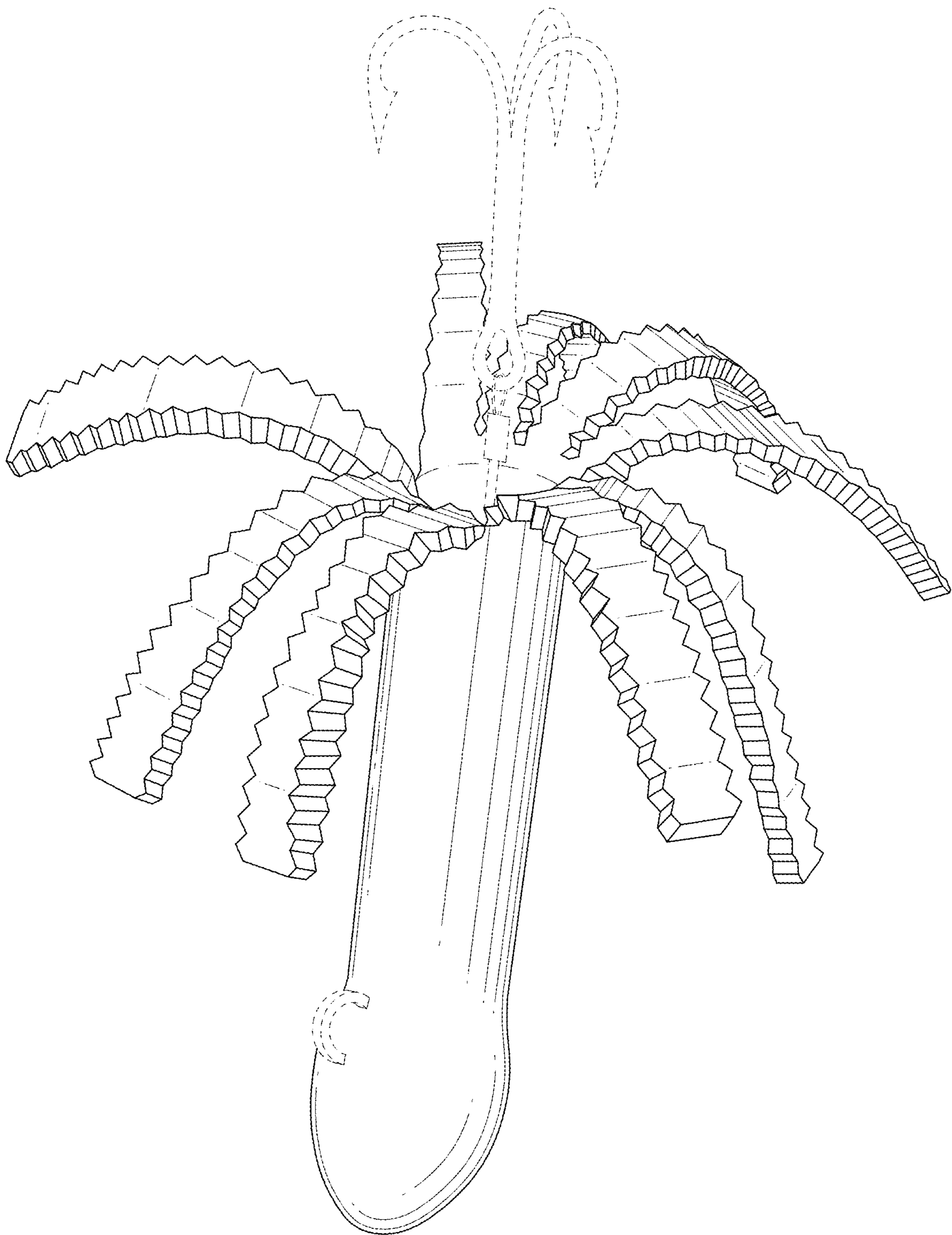


FIG. 8