



US00D910801S

(12) **United States Design Patent** (10) **Patent No.:** **US D910,801 S**  
**Beath** (45) **Date of Patent:** **\*\* Feb. 16, 2021**

(54) **ARTICULATED SALMON FISHING SPOON**

(71) Applicant: **John Beath**, Carlsborg, WA (US)

(72) Inventor: **John Beath**, Carlsborg, WA (US)

(\*\*) Term: **15 Years**

(21) Appl. No.: **29/716,215**

(22) Filed: **Dec. 6, 2019**

(51) **LOC (13) Cl.** ..... **22-05**

(52) **U.S. Cl.**  
USPC ..... **D22/129**

(58) **Field of Classification Search**  
USPC ..... D22/126-133; 43/42.06, 42.05, 42.09,  
43/42.24, 42.25, 42.26, 42.28, 42.3,  
43/42.35, 42.39, 42.45, 42.33, 42.5  
CPC ..... A01K 83/00; A01K 85/00; A01K 85/14;  
A01K 85/16

See application file for complete search history.

(56) **References Cited**

**U.S. PATENT DOCUMENTS**

2,315,307	A *	3/1943	Wilson	.....	A01K 83/00
					43/44.83
2,463,889	A *	3/1949	Lundemo	.....	A01K 85/14
					43/42.39
2,480,580	A *	8/1949	Hopkins	.....	A01K 85/14
					43/42.45
D203,447	S *	1/1966	Chruscz	.....	D22/126
D211,019	S *	5/1968	Hammon	.....	D22/128
3,418,744	A *	12/1968	Panicci	.....	A01K 85/14
					43/42.5

D399,293	S *	10/1998	Cordingley	.....	D22/129
D447,211	S *	8/2001	Kysilka	.....	D22/129
D655,367	S *	3/2012	Barclay, II	.....	D22/129
D678,460	S *	3/2013	Pool	.....	D22/129
D707,325	S *	6/2014	Li	.....	D22/129
D746,939	S *	1/2016	Thomson	.....	D22/129
2012/0186135	A1 *	7/2012	Jones	.....	A01K 85/14
					43/42.22

**OTHER PUBLICATIONS**

Acme Kastmster XL Spoon, Acme Tackle Company, BassProShops.com (Year: 2011).\*

\* cited by examiner

*Primary Examiner* — Catherine R Oliver-Garcia

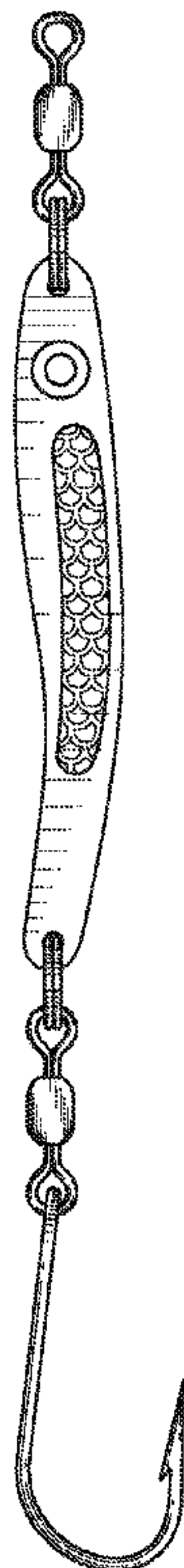
(57) **CLAIM**

The ornamental design for a articulated salmon fishing spoon, as shown and described.

**DESCRIPTION**

FIG. 1 is a front perspective view of the articulated salmon fishing spoon showing my new design in use;  
FIG. 2 is a front view thereof;  
FIG. 3 is a rear view thereof;  
FIG. 4 is a right side view thereof;  
FIG. 5 is a left side view thereof;  
FIG. 6 is an enlarged top view thereof; and,  
FIG. 7 is an enlarged bottom view thereof.  
The fish head and partial fish body is shown in broken lines for illustrative purposes only and form no part of the claimed design.

**1 Claim, 6 Drawing Sheets**



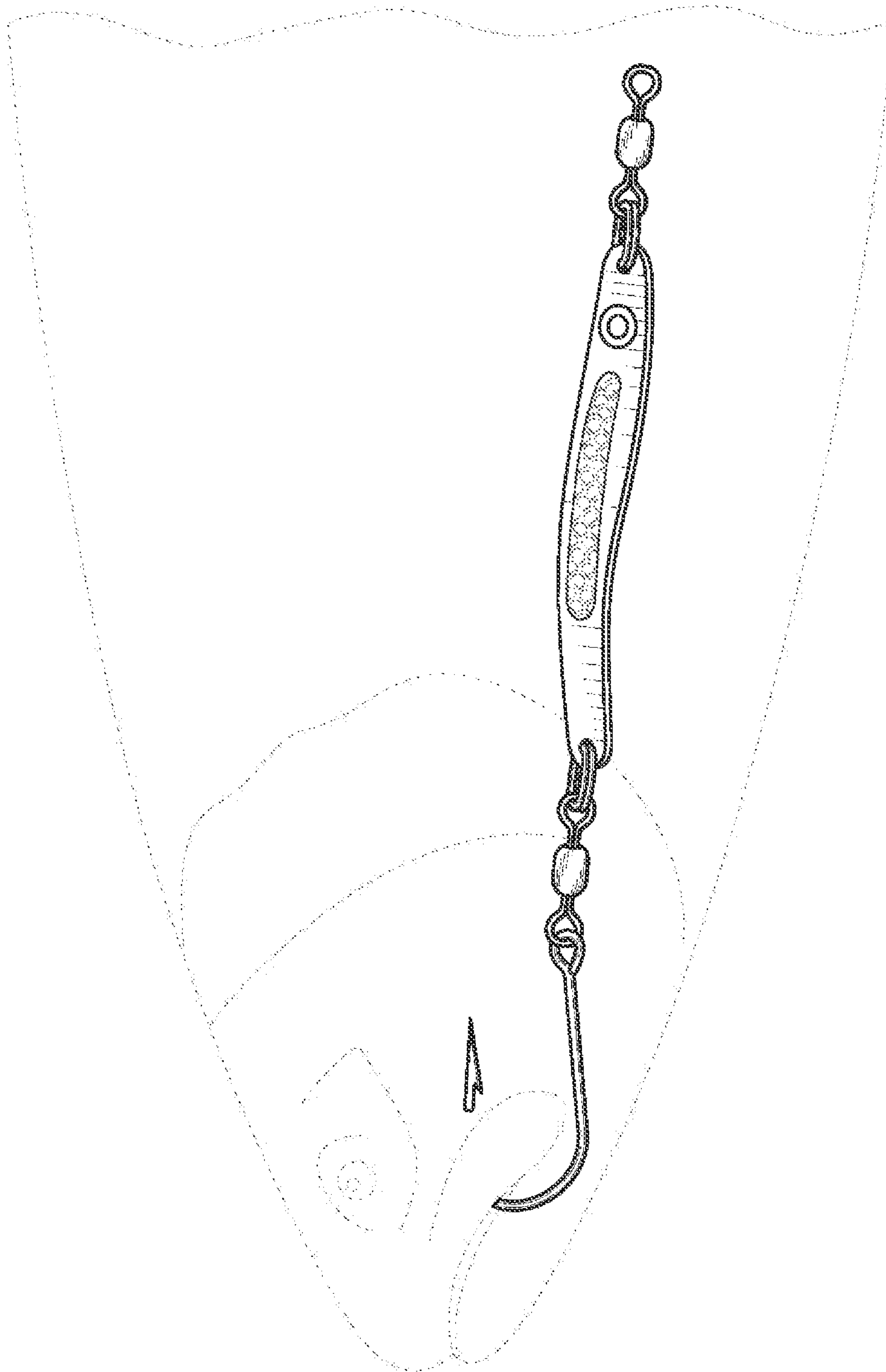


FIG. 1

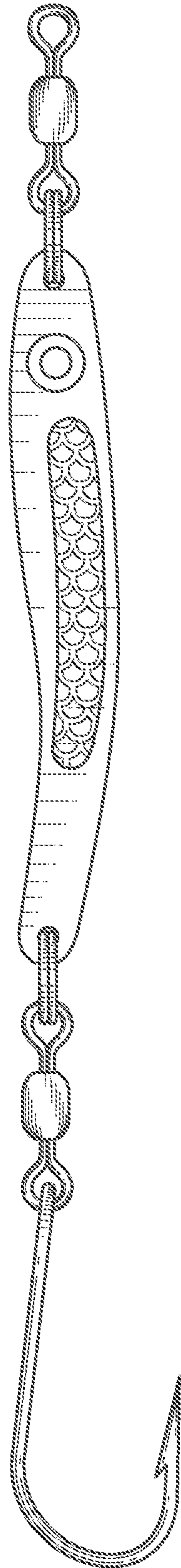


FIG. 2

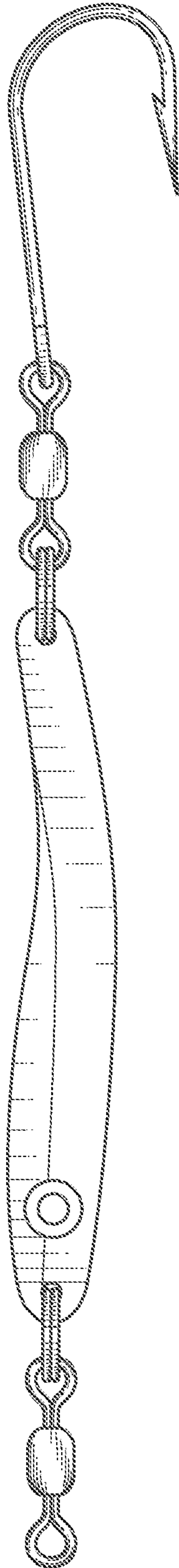


FIG. 3

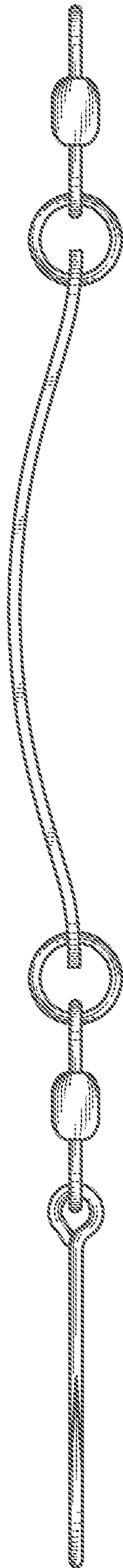


FIG. 4

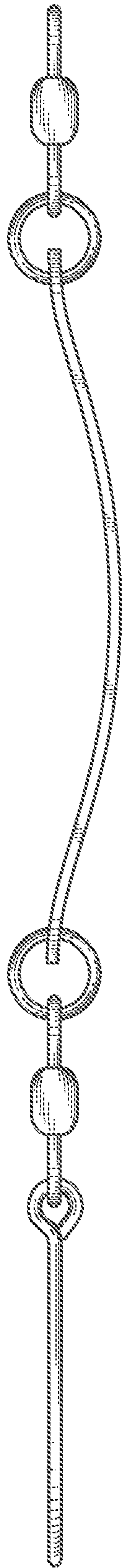


FIG. 5

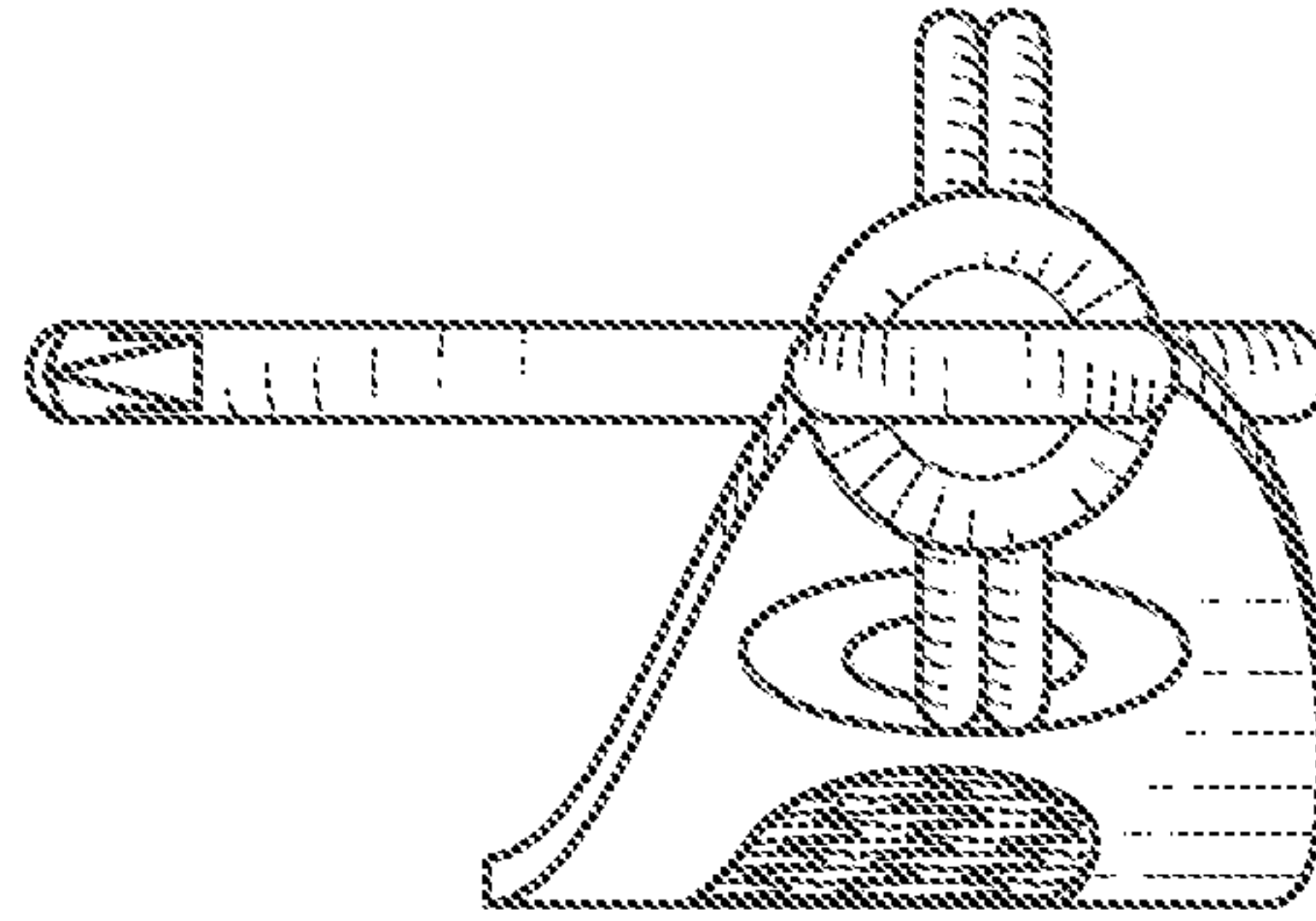
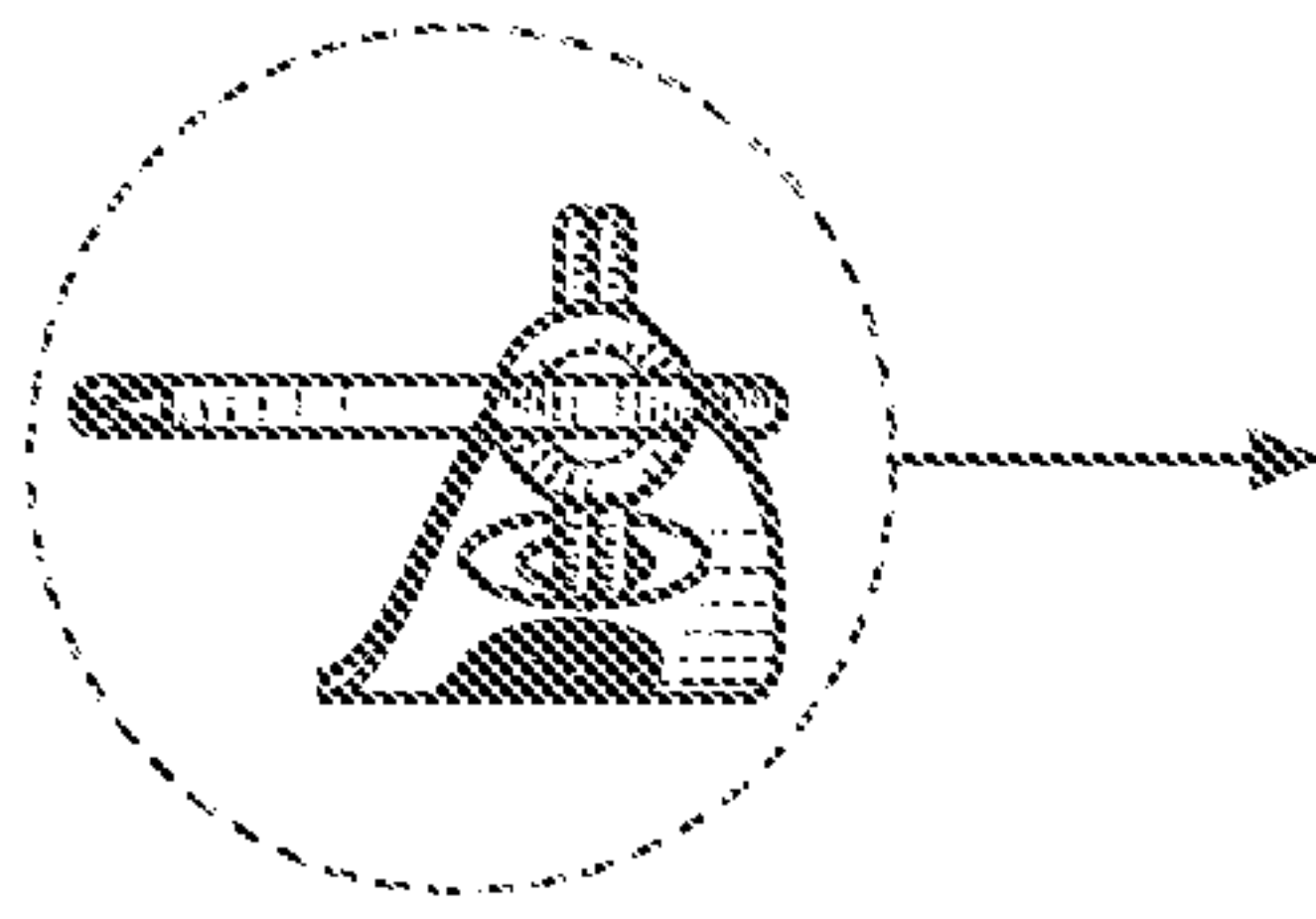


FIG. 6

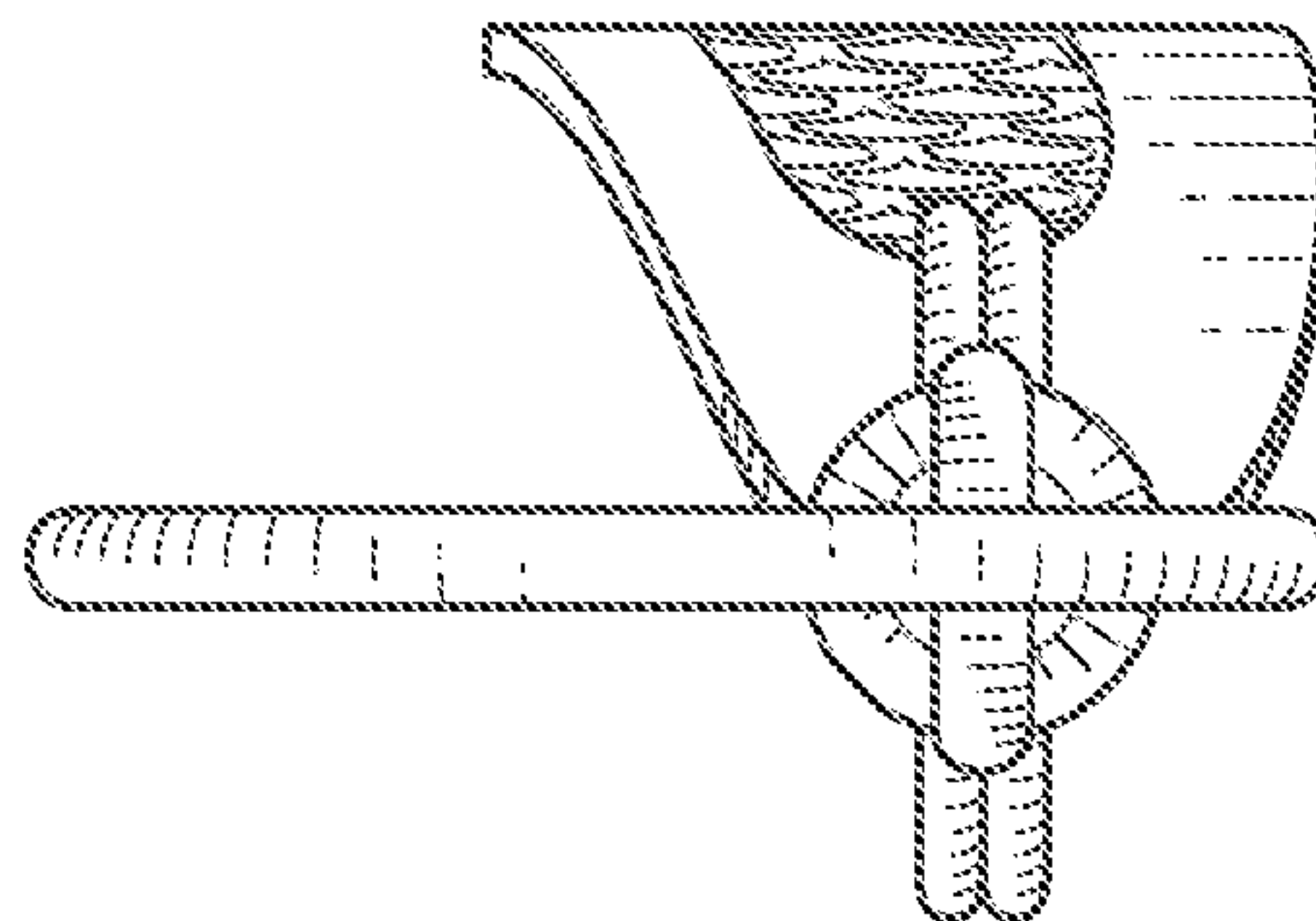
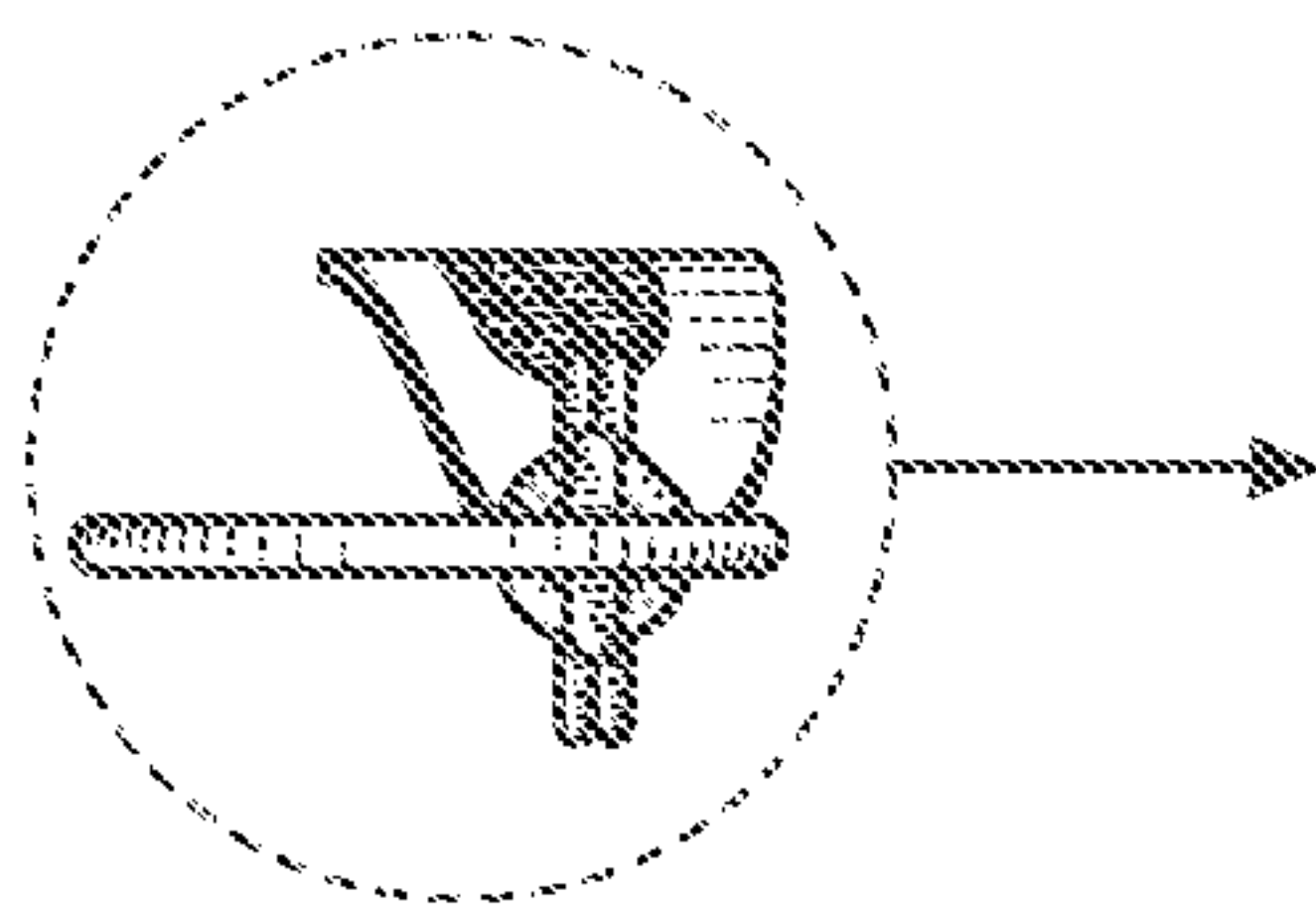


FIG. 7